

# Sacramento Police Department Firearm Discharge Report

## Incident Details

<b>Date Received</b>	<b>Date of Occurrence</b>	<b>Time of Occurrence</b>
12/08/2012	12/08/2012	12:32
<b>Record ID Number</b>	<b>Report Number</b>	<b>IA No</b>
14167	12-332558	OIS2012-09
<b>Date/Time Entered</b>	<b>Entered By</b>	
12/20/2012 15:53	[IAPro entry - AA Thuy Nguyen #6502]	
<b>Sacramento PD Blue Team Assigned Investigator</b>	<b>IAPro Assigned Investigator</b>	
Police Lieutenant-Exempt Marnie Stigerts	AA Thuy Nguyen #6502	

## Incident Summary

At approx 1232 hours on 12-08-12 a call was received regarding a robbery in progress at 8349 Folsom Blvd (In side the Jack in the Box fast food) and the suspect was a male, Asian armed with a handgun. A SWAT call-out was initiated.

At approximately 1544 hours, shots were fired by six members of the SWAT team from three different locations around the business and the suspect was down.

Suspect Khang was transported to UCDMC where he was pronounced deceased at approx 1701 hours.

## Incident Location

### Addresses

8349 Folsom Blvd., Sacramento, CA

- Location of Occurrence: 3 - Central

## Firearm Discharge Details

<b>Firearm Discharge Type</b>	<b>Number Of Officers Involved</b>
Perpetrator	5
<b>Citizen Influence Assessment</b>	<b>Type of Response to Incident</b>

## Crisis Details

## Reporting/Involved Citizen

### Xang Khang

**Date of Birth:** 04/13/1986 **Race:** Asian **Ethnicity:** Unknown **Gender:** Male

**Addresses** [None Entered]

**Phone Numbers** [None Entered]

**Role:** [None Entered]

### Additional Snapshot Data

<b>Homeless at time of involvement</b>	<b>Perceived Limited English</b>	<b>Primary Language</b>
[None Entered]	[None Entered]	[None Entered]

<b>Sexual Orientation</b>	<b>Gender Expression</b>	<b>Experiencing Mental Crisis (Officer Assessment)</b>
[None Entered]	[None Entered]	[None Entered]
<b>Experiencing Mental Crisis (Self Reported)</b>	<b>Armed at Time of Incident</b>	
[None Entered]	[None Entered]	

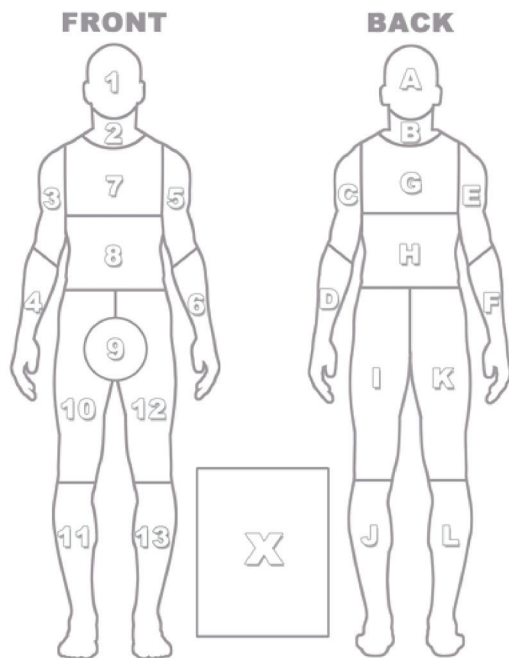
**Firearm Discharge Details For Citizen**

<b>Type of Citizen Involvement</b>	<b>Citizen Age at Time of Incident</b>	<b>Number of Shots Fired by Citizen</b>
Suspect or offender	[None Entered]	0
<b>Citizen Condition</b>	<b>Party Causing Injury</b>	<b>Citizen Arrested</b>
Killed	SWAT	No

<b>Charges Against Citizen</b>
[None Entered]

**Injuries Sustained By Citizen**

<b>Injury</b>	<b>Region</b>	<b>Injury Location</b>
Deceased		



**Weapons Used By Citizen**

- Handgun

**Incident Officers**

**Police Captain Adam Green**

**Assignment at time of incident:** Police Sergeant OOF /DIST 4--SW /PATROL / **Video Footage:** [None Entered]

**Role:** [None Entered]

**Policy Outcome:** Not yet entered

**Firearm Discharge Details**

<b>Total Number of Shots</b>	<b>Number of Hits</b>	<b>Number of Misses</b>	<b>Number of Prior Shootings</b>
0	0	0	0
<b>Officer Condition</b>	<b>Unintentional Discharge</b>	<b>Officer Action at Time of Discharge</b>	<b>Role was within Policy</b>

[None Entered]	[None Entered]	[None Entered]	[None Entered]
<b>Violations</b>	<b>Reinstatement Status</b>	<b>Conclusion Date</b>	<b>Administration Leave Date</b>
[None Entered]	[None Entered]	[None Entered]	[None Entered]
<b>On Range Date</b>	<b>Date Returned to Duty</b>	<b>Officer Assistance Program Attended Date</b>	<b>Comments</b>
[None Entered]	[None Entered]	[None Entered]	[None Entered]

**Weapons Used By Officer**

- .223 HK53 Rifle (SWAT)

**Injuries Sustained By Officer**

No injury

**Police Sergeant John Lightfoot**

**Assignment at time of incident:** Police Sergeant OOO/Metro/SWAT **Video Footage:** [None Entered]

**Role:** [None Entered]

**Policy Outcome:** Not yet entered

**Firearm Discharge Details**

Total Number of Shots	Number of Hits	Number of Misses	Number of Prior Shootings
0	0	0	0
<b>Officer Condition</b>	<b>Unintentional Discharge</b>	<b>Officer Action at Time of Discharge</b>	<b>Role was within Policy</b>
[None Entered]	[None Entered]	[None Entered]	[None Entered]
<b>Violations</b>	<b>Reinstatement Status</b>	<b>Conclusion Date</b>	<b>Administration Leave Date</b>
[None Entered]	[None Entered]	[None Entered]	[None Entered]
<b>On Range Date</b>	<b>Date Returned to Duty</b>	<b>Officer Assistance Program Attended Date</b>	<b>Comments</b>
[None Entered]	[None Entered]	[None Entered]	[None Entered]

**Weapons Used By Officer**

- .308 Winchester 700

**Injuries Sustained By Officer**

No injury

**Reserve Police Offi 09006 Kevin Griffin**

**Assignment at time of incident:** Police Officer OOO/Metro/SWAT **Video Footage:** [None Entered]

**Role:** [None Entered]

**Policy Outcome:** Not yet entered

**Firearm Discharge Details**

Total Number of Shots	Number of Hits	Number of Misses	Number of Prior Shootings
0	0	0	0
<b>Officer Condition</b>	<b>Unintentional Discharge</b>	<b>Officer Action at Time of Discharge</b>	<b>Role was within Policy</b>
[None Entered]	[None Entered]	[None Entered]	[None Entered]
<b>Violations</b>	<b>Reinstatement Status</b>	<b>Conclusion Date</b>	<b>Administration Leave Date</b>
[None Entered]	[None Entered]	[None Entered]	[None Entered]
<b>On Range Date</b>	<b>Date Returned to Duty</b>	<b>Officer Assistance Program Attended Date</b>	<b>Comments</b>
[None Entered]	[None Entered]	[None Entered]	[None Entered]

**Weapons Used By Officer**

- .223 HK53 Rifle (SWAT)

**Injuries Sustained By Officer**

No injury

**Police Sergeant Todd Edgerton****Assignment at time of incident:** Police Officer 000/Metro/SWAT **Video Footage:** [None Entered]**Role:** [None Entered]**Policy Outcome:** Not yet entered**Firearm Discharge Details**

Total Number of Shots	Number of Hits	Number of Misses	Number of Prior Shootings
0	0	0	0
Officer Condition	Unintentional Discharge	Officer Action at Time of Discharge	Role was within Policy
[None Entered]	[None Entered]	[None Entered]	[None Entered]
Violations	Reinstatement Status	Conclusion Date	Administration Leave Date
[None Entered]	[None Entered]	[None Entered]	[None Entered]
On Range Date	Date Returned to Duty	Officer Assistance Program Attended Date	Comments
[None Entered]	[None Entered]	[None Entered]	[None Entered]

**Weapons Used By Officer**

- .308 Winchester 700

**Injuries Sustained By Officer**

No injury

**Police Officer Andrew Davis****Assignment at time of incident:** Police Officer OOS /METRO / /SWAT **Video Footage:** [None Entered]**Role:** [None Entered]**Policy Outcome:** Not yet entered**Firearm Discharge Details**

Total Number of Shots	Number of Hits	Number of Misses	Number of Prior Shootings
0	0	0	0
Officer Condition	Unintentional Discharge	Officer Action at Time of Discharge	Role was within Policy
[None Entered]	[None Entered]	[None Entered]	[None Entered]
Violations	Reinstatement Status	Conclusion Date	Administration Leave Date
[None Entered]	[None Entered]	[None Entered]	[None Entered]
On Range Date	Date Returned to Duty	Officer Assistance Program Attended Date	Comments
[None Entered]	[None Entered]	[None Entered]	[None Entered]

**Injuries Sustained By Officer**

No injury

**Police Sergeant Aurelio Villegas****Assignment at time of incident:** Police Officer OOC/Admin/CIU **Video Footage:** [None Entered]**Role:** [None Entered]**Policy Outcome:** Not yet entered**Firearm Discharge Details**

Total Number of Shots	Number of Hits	Number of Misses	Number of Prior Shootings
0	0	0	0
Officer Condition	Unintentional Discharge	Officer Action at Time of Discharge	Role was within Policy
[None Entered]	[None Entered]	[None Entered]	[None Entered]
Violations	Reinstatement Status	Conclusion Date	Administration Leave Date
[None Entered]	[None Entered]	[None Entered]	[None Entered]
On Range Date	Date Returned to Duty	Officer Assistance Program Attended Date	Comments
[None Entered]	[None Entered]	[None Entered]	[None Entered]

#### Weapons Used By Officer

- .308 Winchester 700

#### Injuries Sustained By Officer

No injury

### Tasks

No tasks to show

### Running Sheet Entries

No running sheet entries to show

### Attachments

No Attachments

### Assignment History

No assignment history

### Chain of Command History

**MEMORANDUM**

**SACRAMENTO POLICE DEPARTMENT**

Professional Standards Unit



**TO: John Lightfoot 3050  
Police Sergeant**

**DATE: 3/4/13  
REF: OIS2012-09**

**FROM: Lieutenant Dave Risley  
Internal Affairs/Professional Standards Unit**

**RE: Officer Involved Shooting - Review Disposition**

The Department has completed reviewing the Officer Involved Shooting incident that occurred on December 8, 2012. It was found that the incident was justified and within policy.

Please feel free to contact me if you have any questions or concerns.

Sincerely,

A handwritten signature in blue ink, appearing to read "Dave Risley", written over a horizontal line.

Lieutenant Dave Risley  
Internal Affairs/Professional Standards Unit  
Office of the Chief  
Office # 808-2292

**MEMORANDUM**

**SACRAMENTO POLICE DEPARTMENT**

Professional Standards Unit



**TO: Andrew Davis 0853  
Police Officer**

**DATE: 3/4/13  
REF: OIS2012-09**

**FROM: Lieutenant Dave Risley  
Internal Affairs/Professional Standards Unit**

**RE: Officer Involved Shooting - Review Disposition**

The Department has completed reviewing the Officer Involved Shooting incident that occurred on December 8, 2012. It was found that the incident was justified and within policy.

Please feel free to contact me if you have any questions or concerns.

Sincerely,

A blue ink handwritten signature, appearing to read "Dave Risley", is written over a horizontal line.

Lieutenant Dave Risley  
Internal Affairs/Professional Standards Unit  
Office of the Chief  
Office # 808-2292

**MEMORANDUM**

**SACRAMENTO POLICE DEPARTMENT**

Professional Standards Unit



**TO: Adam Green 3060**  
**Police Sergeant**

**DATE: 3/4/13**  
**REF: OIS2012-09**

**FROM: Lieutenant Dave Risley**  
**Internal Affairs/Professional Standards Unit**

**RE: Officer Involved Shooting - Review Disposition**

The Department has completed reviewing the Officer Involved Shooting incident that occurred on December 08, 2012. It was found that the incident was justified and within policy.

Please feel free to contact me if you have any questions or concerns.

Sincerely,

A handwritten signature in blue ink, appearing to read "Dave Risley", is written over a horizontal line.

Lieutenant Dave Risley  
Internal Affairs/Professional Standards Unit  
Office of the Chief  
Office # 808-2292



**MEMORANDUM**

**SACRAMENTO POLICE DEPARTMENT**  
Professional Standards Unit



**TO: Todd Edgerton 0826**  
**Police Officer**

**DATE: 3/4/13**  
**REF: OIS2012-09**

**FROM: Lieutenant Dave Risley**  
**Internal Affairs/Professional Standards Unit**

**RE: Officer Involved Shooting - Review Disposition**

The Department has completed reviewing the Officer Involved Shooting incident that occurred on December 08, 2012. It was found that the incident was justified and within policy.

Please feel free to contact me if you have any questions or concerns.

Sincerely,

A handwritten signature in blue ink, appearing to read "Dave Risley", is written over a horizontal line.

Lieutenant Dave Risley  
Internal Affairs/Professional Standards Unit  
Office of the Chief  
Office # 808-2292

**MEMORANDUM**

**SACRAMENTO POLICE DEPARTMENT**

Professional Standards Unit



**TO: Kevin Griffin 0406  
Police Officer**

**DATE: 3/4/13  
REF: OIS2012-09**

**FROM: Lieutenant Dave Risley  
Internal Affairs/Professional Standards Unit**

**RE: Officer Involved Shooting - Review Disposition**

The Department has completed reviewing the Officer Involved Shooting incident that occurred on December 08, 2012. It was found that the incident was justified and within policy.

Please feel free to contact me if you have any questions or concerns.

Sincerely,

A handwritten signature in blue ink, appearing to read "Dave Risley", is written over a horizontal line.

Lieutenant Dave Risley  
Internal Affairs/Professional Standards Unit  
Office of the Chief  
Office # 808-2292

**MEMORANDUM**

**SACRAMENTO POLICE DEPARTMENT**

Professional Standards Unit



**TO: Aurelio Villegas 0618  
Police Officer**

**DATE: 3/4/13  
REF: OIS2012-09**

**FROM: Lieutenant Dave Risley  
Internal Affairs/Professional Standards Unit**

**RE: Officer Involved Shooting - Review Disposition**

The Department has completed reviewing the Officer Involved Shooting incident that occurred on December 8, 2012. It was found that the incident was justified and within policy.

Please feel free to contact me if you have any questions or concerns.

Sincerely,

A handwritten signature in blue ink, appearing to read "Dave Risley", is written over a horizontal line.

Lieutenant Dave Risley  
Internal Affairs/Professional Standards Unit  
Office of the Chief  
Office # 808-2292

SACRAMENTO POLICE DEPARTMENT  
COMPLAINT HARDCOPY

CP 2012 - 332555

Reported: Dec-08-2012 12:31:47

Summary Information

Call Number: SA 2012-332555 Date/In Time: Dec-08-2012 12:31:47 Status: CLOSED  
Initial Call Type: ROBBERY-IN PROGRESS  
Final Call Type: ROBBERY-IN PROGRESS  
Priority: 2 Queue Type: R How Received: 911 SYSTEM  
Address: 8349 FOLSOM BLVD Community: SACRAMENTO  
Place Name: in JACK IN THE BOX  
District: 3 Zone: 3C Grid: 1115  
Telephone: 381-2261  
Call Taker: 4002 MAITA, CHESSA 6074 Call Taker Desk: SD2

Initial Remarks :

**JACK N THE BOX: C IS VERY OUT OF BREATH AND SAID  
PLEASE HELP US**

Complainant Name: FEM

Address: 8349 FOLSOM BL

Home Phone: 916 - Bus Phone: 916 381-2261 BUSINESS PHONE

Clearance Remarks :

**DAME**

Founded: No Report Expected: No

How Cleared: CANCEL

BOLO: N

Reporting Officer1:

Reporting Officer2:

Cleared By: 3965 LEY, AMANDA 6164 Clearance Desk/Unit ID: SR11

Call Times:

Received : Dec-08-2012 12:31:47

Cleared : Dec-08-2012 12:33:39

Total - Units/Services: 0 Remarks: 4 Documents: 0 Entities: 0

Chronological Events

12-08-2012 12:32:18 SD2 4002 MAITA, CHESSA 6074 Call Remark  
**NOW HAVE OPEN LINE... FEM PUT THE PH DOWN... FEM  
POSS SAID SOMETHING ABOUT A GUN**

12-08-2012 12:32:27 SD2 4002 MAITA, CHESSA 6074 Call Remark  
**CAN HEAR SUBJ POSS YELLING IN BKGRND**

12-08-2012 12:32:37 SD2 4002 MAITA, CHESSA 6074 Call Update  
**Comp.phone: 916 916 381-2261 TO: 916 B 916  
381-2261**

12-08-2012 12:32:37 SD2 4002 MAITA, CHESSA 6074 Call Update  
**Comp.adress: 8349 FOLSOM BL CA TO: 8349 FOLSOM  
BL CA**

12-08-2012 12:32:37 SD2 4002 MAITA, CHESSA 6074 Call Update  
**Comp.Name: CHANGED TO:FEM**

SACRAMENTO POLICE DEPARTMENT  
COMPLAINT HARDCOPY

CP 2012 - 332555

Reported: Dec-08-2012 12:31:47

12-08-2012 12:33:17 SD14 3580 SINGH, MANPREET 6084 Call Update  
**Priority: 3 TO:2**

12-08-2012 12:33:17 SD14 3580 SINGH, MANPREET 6084 Call Update  
**Final Call type: 952 TO:211P**

12-08-2012 12:33:17 SD14 3580 SINGH, MANPREET 6084 Call Update  
**Report flag: N TO:Y**

12-08-2012 12:33:17 SD14 3580 SINGH, MANPREET 6084 Call Update  
**Call type: 952 TO:211P**

12-08-2012 12:33:39 SR11 3965 LEY, AMANDA 6164 Call Update  
**Report flag: Y TO:N**

12-08-2012 12:33:39 SR11 3965 LEY, AMANDA 6164 Call Update  
**Related Call: ADDED TO PRIME:SA12-332558**

12-08-2012 12:33:39 SR11 3965 LEY, AMANDA 6164 Call Update  
**Clear remarks: CHANGED TO:DAME**

12-08-2012 12:33:39 SR11 3965 LEY, AMANDA 6164 Call Update  
**Cleared by: P TO:X**

12-08-2012 12:33:39 SR11 3965 LEY, AMANDA 6164 Call Update  
**Founded: Y TO:N**

12-08-2012 12:33:39 SR11 3965 LEY, AMANDA 6164 Call Update  
**Call was CLEARED:**

12-08-2012 12:33:51 SD14 3580 SINGH, MANPREET 6084 Call Remark  
**BUSN JUST 211'D .. SUSP HAD GUN....TRYING TO GET  
MORE....MTF**

12-08-2012 12:34:24 CS1 248 SOUTHWARD, KAMERON 6159 Call Remark  
**BC'D ON THE HL**

**\*\* END OF HARDCOPY \*\***

SACRAMENTO POLICE DEPARTMENT  
COMPLAINT HARDCOPY

CP 2012 - 332558

Reported: Dec-08-2012 12:32:50

Summary Information

Call Number: SA 2012-332558 Date/In Time: Dec-08-2012 12:32:50 Status: CLOSED  
Initial Call Type: ROBBERY-IN PROGRESS  
Final Call Type: ROBBERY-IN PROGRESS  
Priority: 2 Queue Type: R How Received: 911 SYSTEM  
Address: 8349 FOLSOM BLVD Community: SACRAMENTO  
Place Name: in JACK IN THE BOX  
District: 3 Zone: 3C Grid: 1115  
Telephone: 383-0878  
Call Taker: 3580 SINGH, MANPREET 6084 Call Taker Desk: SD14

Initial Remarks :

TAQURIA EL FESTIVAL: SOMEONE W/GUN \*\* AT JACK IN  
THE BOX .. C IS SCREAMING

Complainant Name: [REDACTED] OWNER  
Address: 119 - 8345 FOLSOM BL  
Home Phone: 916 - Bus Phone: 916 383-0878 BUSINESS PHONE

Clearance Remarks :

DONE FINALLY

Founded: Yes Report Expected: No  
How Cleared: POLICE MATTER RESOLVED AT SCENE  
BOLO: N  
Reporting Officer1: 3077 - MARQUEZ, GUILLERMO 0847  
Reporting Officer2:  
Cleared By: 3991 DAVIS, RYAN G. 0896 Clearance Desk/Unit ID: 1A35

Call Times:

Received : Dec-08-2012 12:32:50  
Dispatch : Dec-08-2012 12:33:49  
En Route : Dec-08-2012 12:33:49  
On Scene : Dec-08-2012 12:40:34  
Cleared : Dec-09-2012 05:35:00

Total - Units/Services: \*\* Remarks: \*\* Documents: 35 Entities: 0

Chronological Events

- 12-08-2012 00:00:00 3508 YONEMURA, JENNIFER 6023 Text Document  
Subject: BEAT3 Rsp: ID [REDACTED]
- 12-08-2012 00:00:00 3836 FURNISS, KELLY 6036 Text Document  
Subject: Rsp: IG QGB.CA0340400.SER [REDACTED]
- 12-08-2012 00:00:00 3578 DUGGINS, MICHELE 6062 Text Document  
Subject: 1B29 Rsp: IV 4 [REDACTED]
- 12-08-2012 00:00:00 3578 DUGGINS, MICHELE 6062 Text Document  
Subject: 1B29 Rsp: IV 4 [REDACTED]
- 12-08-2012 00:00:00 3578 DUGGINS, MICHELE 6062 Text Document  
Subject: 1B29 Rsp: IV 4 [REDACTED]

SACRAMENTO POLICE DEPARTMENT  
COMPLAINT HARDCOPY

CP 2012 - 332558

Reported: Dec-08-2012 12:32:50

12-08-2012 00:00:00 3836 FURNISS, KELLY 6036 Text Document  
Subject: Rsp: IG QGB.CA0340400.SER [REDACTED]

12-08-2012 00:00:00 3508 YONEMURA, JENNIFER 6023 Text Document  
Subject: BEAT3 Rsp: ID [REDACTED]

12-08-2012 00:00:00 3578 DUGGINS, MICHELE 6062 Text Document  
Subject: 1B29 Rsp: IV 4 [REDACTED]

12-08-2012 00:00:00 3578 DUGGINS, MICHELE 6062 Text Document  
Subject: 1B29 Rsp: IV 4 [REDACTED]

12-08-2012 00:00:00 3578 DUGGINS, MICHELE 6062 Text Document  
Subject: 1B29 Rsp: IV 4 [REDACTED]

12-08-2012 00:00:00 3578 DUGGINS, MICHELE 6062 Text Document  
Subject: 1B29 Rsp: IV 4 [REDACTED]

12-08-2012 00:00:00 3836 FURNISS, KELLY 6036 Text Document  
Subject: Rsp: IG QGB.CA0340400.SER [REDACTED]

12-08-2012 00:00:00 3508 YONEMURA, JENNIFER 6023 Text Document  
Subject: BEAT3 Rsp: ID [REDACTED]

12-08-2012 00:00:00 3578 DUGGINS, MICHELE 6062 Text Document  
Subject: 1B29 Rsp: IV 4 [REDACTED]

12-08-2012 00:00:00 3578 DUGGINS, MICHELE 6062 Text Document  
Subject: 1B29 Rsp: IV 4 [REDACTED]

12-08-2012 00:00:00 3578 DUGGINS, MICHELE 6062 Text Document  
Subject: 1B29 Rsp: IV 4 [REDACTED]

12-08-2012 00:00:00 3578 DUGGINS, MICHELE 6062 Text Document  
Subject: 1B29 Rsp: IV 4 [REDACTED]

12-08-2012 00:00:00 3508 YONEMURA, JENNIFER 6023 Text Document  
Subject: BEAT3 Rsp: ID [REDACTED]

12-08-2012 00:00:00 3578 DUGGINS, MICHELE 6062 Text Document  
Subject: 1B29 Rsp: IV 4 [REDACTED]

12-08-2012 00:00:00 3578 DUGGINS, MICHELE 6062 Text Document  
Subject: 1B29 Rsp: IV 4 [REDACTED]

12-08-2012 00:00:00 3578 DUGGINS, MICHELE 6062 Text Document  
Subject: 1B29 Rsp: IV 4 [REDACTED]

12-08-2012 00:00:00 3578 DUGGINS, MICHELE 6062 Text Document  
Subject: 1B29 Rsp: IV 4 [REDACTED]

12-08-2012 00:00:00 3836 FURNISS, KELLY 6036 Text Document  
Subject: Rsp: IG QGB.CA0340400.SER [REDACTED]

12-08-2012 00:00:00 3508 YONEMURA, JENNIFER 6023 Text Document  
Subject: BEAT3 Rsp: ID [REDACTED]

SACRAMENTO POLICE DEPARTMENT  
COMPLAINT HARDCOPY

CP 2012 - 332558

Reported: Dec-08-2012 12:32:50

12-08-2012 00:00:00 3578 DUGGINS, MICHELE 6062 Text Document  
Subject: 1B29 Rsp: IV 4 [REDACTED]

12-08-2012 00:00:00 3578 DUGGINS, MICHELE 6062 Text Document  
Subject: 1B29 Rsp: IV 4 [REDACTED]

12-08-2012 00:00:00 3578 DUGGINS, MICHELE 6062 Text Document  
Subject: 1B29 Rsp: IV 4 [REDACTED]

12-08-2012 00:00:00 3578 DUGGINS, MICHELE 6062 Text Document  
Subject: 1B29 Rsp: IV 4 [REDACTED]

12-08-2012 00:00:00 3836 FURNISS, KELLY 6036 Text Document  
Subject: Rsp: IG QGB.CA0340400.SER [REDACTED]

12-08-2012 00:00:00 3508 YONEMURA, JENNIFER 6023 Text Document  
Subject: BEAT3 Rsp: ID [REDACTED]

12-08-2012 00:00:00 3578 DUGGINS, MICHELE 6062 Text Document  
Subject: 1B29 Rsp: IV 4 [REDACTED]

12-08-2012 00:00:00 3578 DUGGINS, MICHELE 6062 Text Document  
Subject: 1B29 Rsp: IV 4 [REDACTED]

12-08-2012 00:00:00 3578 DUGGINS, MICHELE 6062 Text Document  
Subject: 1B29 Rsp: IV 4 [REDACTED]

12-08-2012 00:00:00 3578 DUGGINS, MICHELE 6062 Text Document  
Subject: 1B29 Rsp: IV 4 [REDACTED]

12-08-2012 00:00:00 3578 DUGGINS, MICHELE 6062 Text Document  
Subject: 1B29 Rsp: IV 4 [REDACTED]

12-08-2012 00:00:00 3578 DUGGINS, MICHELE 6062 Text Document  
Subject: 1B29 Rsp: IV 4 [REDACTED]

12-08-2012 12:33:39 SR11 3965 LEY, AMANDA 6164 Call Update  
Related Call: ADDED DUPLICATE:SA12-332555

12-08-2012 12:33:39 SR11 3965 LEY, AMANDA 6164 Call Remark  
DUPLICATE: SA12-332555: JACK N THE BOX: C IS VERY  
OUT OF BREATH AND SAID PLEASE HELP US

12-08-2012 12:33:39 SR11 3965 LEY, AMANDA 6164 Call Remark  
DUPLICATE: SA12-332555: CALLER: FEM8349 FOLSOM  
BL, (B) (916)381-2261

12-08-2012 12:33:49 SR11 3965 LEY, AMANDA 6164 Status Change  
K91 ER 627 MATTHEW, LINDA 0353 119-8345  
FOLSOM BLVD

12-08-2012 12:33:50 SR11 3965 LEY, AMANDA 6164 Status Change  
1B35 ER 1026 BAKER, DEE 7754 119-8345  
FOLSOM BLVD

12-08-2012 12:34:06 SD14 3580 SINGH, MANPREET 6084 Call Remark  
BUSN JUST 211'D .. SUSP HAD GUN....TRYING TO GET  
MORE....MTF

12-08-2012 12:34:09 SD2 4002 MAITA, CHESSA 6074 Call Remark



SACRAMENTO POLICE DEPARTMENT  
COMPLAINT HARDCOPY

CP 2012 - 332558

Reported: Dec-08-2012 12:32:50

**STILL HAVE OPEN LINE**

12-08-2012 12:34:19 SR11 3965 LEY, AMANDA 6164 Status Change  
**1B32 ER 4013 KNOBLOCK, NICHOLAS 0239**  
**119-8345 FOLSOM BLVD**

12-08-2012 12:34:20 1B32 4013 KNOBLOCK, NICHOLAS 0239 Status Change  
**1B32 IS 4013 KNOBLOCK, NICHOLAS 0239**

12-08-2012 12:34:20 SR12 258 EBO, NATASHA 6071 Status Change  
**1B64 DP 107 BROWN, EDWARD P 7714 119-8345**  
**FOLSOM BLVD**

12-08-2012 12:34:20 SR12 258 EBO, NATASHA 6071 Status Change  
**1B65 DP 3019 WILHITE, KURT 3019 119-8345**  
**FOLSOM BLVD**

12-08-2012 12:34:27 1B64 107 BROWN, EDWARD P 7714 Status Change  
**1B64 ER 107 BROWN, EDWARD P 7714**

12-08-2012 12:34:28 SR11 3965 LEY, AMANDA 6164 Status Change  
**1B32 ER 4013 KNOBLOCK, NICHOLAS 0239**  
**119-8345 FOLSOM BLVD**

12-08-2012 12:34:29 SR12 258 EBO, NATASHA 6071 Call Remark  
**2SM6 COPIED THE CROSS**

12-08-2012 12:34:31 CS1 248 SOUTHWARD, KAMERON 6159 Call Remark  
**BC'D ON THE HL**

12-08-2012 12:34:35 SR12 258 EBO, NATASHA 6071  
**1B65 ER 3019 WILHITE, KURT 3019 C3 .**  
**GOING TO CH1**

12-08-2012 12:34:35 SR12 258 EBO, NATASHA 6071  
**1B65 ER 3019 WILHITE, KURT 3019 Sent to**  
**MDT: 1B65,Status changed to ER by SR12**

12-08-2012 12:34:36 SR11 3965 LEY, AMANDA 6164 Status Change  
**2SM3 ER 580 LOMMORI, MICHAEL 7719**  
**119-8345 FOLSOM BLVD**

12-08-2012 12:34:39 SD14 3580 SINGH, MANPREET 6084 Call Remark  
**SUSP IS MA35,SMALL BUILD,PLE STRIPED SHRT,**

12-08-2012 12:34:51 SR12 258 EBO, NATASHA 6071  
**1B65 ER 3019 WILHITE, KURT 3019**  
**UNAVAILABLE**

12-08-2012 12:34:51 SR12 258 EBO, NATASHA 6071  
**K91 ER 627 MATTHEW, LINDA 0353**  
**UNAVAILABLE**

12-08-2012 12:34:51 SR12 258 EBO, NATASHA 6071  
**1B64 ER 107 BROWN, EDWARD P 7714**  
**UNAVAILABLE**

SACRAMENTO POLICE DEPARTMENT  
COMPLAINT HARDCOPY

CP 2012 - 332558

Reported: Dec-08-2012 12:32:50

12-08-2012 12:35:09 SD14 3580 SINGH, MANPREET 6084 Call Remark  
SUSP IS STILL 906 .. HAD GUN TO ONE OF THE EMPS

12-08-2012 12:35:30 SD14 3580 SINGH, MANPREET 6084 Call Update  
Comp.Contact: CHANGED TO:Y

12-08-2012 12:35:30 SD14 3580 SINGH, MANPREET 6084 Call Update  
Comp.phone: 916 916 383-0878 TO: 916 B 916  
383-0878

12-08-2012 12:35:30 SD14 3580 SINGH, MANPREET 6084 Call Update  
Comp.Name: CHANGED TO: F

12-08-2012 12:35:38 CS1 248 SOUTHWARD, KAMERON 6159 Call Remark  
ALL UPDATES BC'D ON HL

12-08-2012 12:35:38 1B39 4046 LEMOINE, ALEX 0225 Status Change  
1B39 ER 4046 LEMOINE, ALEX 0225  
ASSIST:1B32 /119-8345 FOLSOM BLVD

12-08-2012 12:35:48 SR12 258 EBO, NATASHA 6071 Status Change  
1B69 ER 528 LAFLAMME, KEITH 0410 [REDACTED]  
119-8345 FOLSOM BLVD

12-08-2012 12:35:51 SD3 3902 SONG, WON J 6187 Call Remark  
DUPLICATE: SA12-332559: CALLER: [REDACTED], 8389  
FOLSOM BLVD, SACRAMENTO, (H) [REDACTED]

12-08-2012 12:35:51 SD3 3902 SONG, WON J 6187 Call Update  
Related Call: ADDED DUPLICATE:SA12-332559

12-08-2012 12:35:51 SD3 3902 SONG, WON J 6187 Call Remark  
DUPLICATE: SA12-332559: JACK IN THE BOX...MALE  
ASIAN 19YO, 5'0, THIN, RED PLAID SHRT, BLU JNS,  
ARMED WITH A GUN WAS TELLING CUSTOMER TO GET OUT  
OF STORE WHILE HE WAS 211'ING IT...MTF

12-08-2012 12:35:52 SR12 258 EBO, NATASHA 6071  
1B69 ER 528 LAFLAMME, KEITH 0410 [REDACTED]  
CONTROL FOR UNIT CLEARED

12-08-2012 12:35:55 SD11 3578 DUGGINS, MICHELE 6062 Call Remark  
DUPLICATE: SA12-332560: CHP XFER.. \*\*\* GUN \*\* C  
WAS IN THE BATHROOM ADV'ING A SUSP W/ A GUN CAME  
IN AND WAS ROBBING THE PLACE.. C WAS TOLD BY A  
MWA, MUST, \*\*\*\* THERE IS A MALE AT THE BACK DOOR  
W A / GUN \*\*\*\*\* MHA, W/ A VEST THAT SAYS AGENT  
\*\*\*\*\*

12-08-2012 12:35:55 SD11 3578 DUGGINS, MICHELE 6062 Call Update  
Related Call: ADDED DUPLICATE:SA12-332560

12-08-2012 12:35:55 SD11 3578 DUGGINS, MICHELE 6062 Call Remark  
DUPLICATE: SA12-332560: CALLER: [REDACTED]  
T-MOBILE, [REDACTED], (H) [REDACTED]

12-08-2012 12:35:55 SR12 258 EBO, NATASHA 6071

SACRAMENTO POLICE DEPARTMENT  
COMPLAINT HARDCOPY

CP 2012 - 332558

Reported: Dec-08-2012 12:32:50

1B69 ER 528 LAFLAMME, KEITH 0410 [REDACTED]  
UNAVAILABLE

12-08-2012 12:35:58 SR12 258 EBO, NATASHA 6071  
1B69 ER 528 LAFLAMME, KEITH 0410 [REDACTED]  
CONTROL FOR UNIT CHANGED P3

12-08-2012 12:36:01 SR12 258 EBO, NATASHA 6071  
1B65 ER 3019 WILHITE, KURT 3019 CONTROL  
FOR UNIT CHANGED P3

12-08-2012 12:36:02 SR11 3965 LEY, AMANDA 6164 Status Change  
1B37 ER 3370 MANTELL, CHARLES 3109  
119-8345 FOLSOM BLVD

12-08-2012 12:36:04 SR12 258 EBO, NATASHA 6071  
1B64 ER 107 BROWN, EDWARD P 7714 CONTROL  
FOR UNIT CHANGED P3

12-08-2012 12:36:11 SD14 3580 SINGH, MANPREET 6084 Call Remark  
C SAYING UNDER COVER OFFCR JUST WENT THRU THE  
BACK DOOR

12-08-2012 12:36:13 SR11 3965 LEY, AMANDA 6164 Status Change  
2SM6 ER 303 FREEMAN, PAUL 7767 119-8345  
FOLSOM BLVD

12-08-2012 12:36:21 SD14 3580 SINGH, MANPREET 6084 Call Update  
Comp.Name: F TO: [REDACTED] OWNER F

12-08-2012 12:36:23 SD2 4002 MAITA, CHESSA 6074 Call Update  
Related Call: ADDED DUPLICATE:SA12-332562

12-08-2012 12:36:23 SD2 4002 MAITA, CHESSA 6074 Call Remark  
DUPLICATE: SA12-332562: SUBJ W/ GUN IS STILL  
INSIDE 925... POSS 2 SUBJ'S AT THE BACK DOOR AS  
WELL

12-08-2012 12:36:40 CS1 248 SOUTHWARD, KAMERON 6159 Call Remark  
SSD HAS UNITS ER ON THIS C3 ALSO \*\*\*\*\*

12-08-2012 12:36:40 SR11 3965 LEY, AMANDA 6164 Status Change  
1B18 ER 3128 DUCKHAM, NATALIE 0830  
119-8345 FOLSOM BLVD

12-08-2012 12:36:45 SR12 258 EBO, NATASHA 6071  
K91 ER 627 MATTHEW, LINDA 0353 FROM:  
P6// TO P3//

12-08-2012 12:36:51 CS1 248 SOUTHWARD, KAMERON 6159 Call Update  
Address: 119 8345 FOLSOM BLVD MUN:1 ZONE:3C  
DIST:3 TO: 8349 FOLSOM BLVD MUN:1 ZONE:3C DIST:3

12-08-2012 12:37:00 SR11 3965 LEY, AMANDA 6164 Call Remark  
DUPLICATE: SA12-332561: C IS SAYING THAT THERE IS  
A GUY IN THE JACK IN THE BOX W/ A GUN...C IS NOT  
ABLE TO GET ANY INFO SAYING FEM IS HYSTERICAL

SACRAMENTO POLICE DEPARTMENT  
COMPLAINT HARDCOPY

CP 2012 - 332558

Reported: Dec-08-2012 12:32:50

- 12-08-2012 12:37:00 SR11 3965 LEY, AMANDA 6164 Call Update  
**Related Call: ADDED DUPLICATE:SA12-332561**
- 12-08-2012 12:37:14 SD3 3902 SONG, WON J 6187 Call Remark  
**FYI DUP CALLER FROM 332559 IS SAYING THAT A BYSTANDER SAID HE WAS WITH THE CIA AND HE WAS GOING INTO THE STORE...SUBJ WHO SAID HE WAS WITH THE CIA WAS MW 30'S,6'0,BRO PLAID SHRT,AND IS ARMED WITH A \*\*GUN\*\***
- 12-08-2012 12:37:20 SD14 3580 SINGH, MANPREET 6084 Call Remark  
**C SAYING SUSP PULLED THE TRIGGER OF GUN,BUT NO ONE SHOT .. \*\*\*\*\***
- 12-08-2012 12:37:32 SD11 3578 DUGGINS, MICHELE 6062 Call Remark  
**C ADV'ING THE MALE /W GUN AND \*\* AGENT VEST \*\* MHA,5'8/MED,BLK BB CAP,BRO BB CAP,LS BGE SHRT .. WAS ON FOOT.. HAS THE DOOR CRACKED OPEN AND LOOKING IN THE BACK**
- 12-08-2012 12:37:34 SD2 4002 MAITA, CHESSA 6074 Call Remark  
**SUSP MA19-20,5'2-4,THIN MUST,BLU KNIT CAP,POSS GRN SHRT,DRK PNTS... GUN WAS POSS REVOLVER... 2 SUBJ'S BY THE BACK DOOR LOOK LIKE SCTY GAURDS W/VEST ON AND GUN IN HAND\*\*\*\*\***
- 12-08-2012 12:37:35 SD14 3580 SINGH, MANPREET 6084 Call Remark  
**GUN POSS MISFIRED \*\*\*\*\***
- 12-08-2012 12:37:46 SD10 3582 RICH, CLARISSA 6083 Call Remark  
**DUP CALLER [REDACTED] IS NOT ABLE TO GET ANYOTHER INFO**
- 12-08-2012 12:37:50 SD13 4035 ROBLES, JENNAFER 6042 ([REDACTED]) Call Remark  
**DUPLICATE: SA12-332563: CALLER:800 451 5242 4 WIRELESS VERIZON, 8880 CAL CENTER DR, (H) [REDACTED]**
- 12-08-2012 12:37:50 SD13 4035 ROBLES, JENNAFER 6042 ([REDACTED]) Call Update  
**Related Call: ADDED DUPLICATE:SA12-332563**
- 12-08-2012 12:37:50 SD13 4035 ROBLES, JENNAFER 6042 ([REDACTED]) Call Remark  
**DUPLICATE: SA12-332563: SUBJ W/A GUN....THERE WERE 3 TOTAL...2 WERE SEEN BEHIND THE BLDG W/GUNS AND ONE INSIDE....1 INSIDE WAS MH/A20S, 5'5/MED, MED LENGTH BLK HAIR, BLK SWT SHRT W/HOOD, BLK PISTOL BLK IN COLOR.....**
- 12-08-2012 12:37:51 SD3 3902 SONG, WON J 6187 Call Remark  
**DUP CALLER 332559....CALLER ALSO SAYING THAT OTHER CUSTOMERS ARE ADVISING THE SUSPECT IS IN THE BATHROOM.**
- 12-08-2012 12:38:11 SD14 3580 SINGH, MANPREET 6084 Call Remark  
**2 EMPS ARE STILL INSIDE THE JACK IN THE BOX**
- 12-08-2012 12:38:24 SD2 4002 MAITA, CHESSA 6074 Call Remark

SACRAMENTO POLICE DEPARTMENT  
COMPLAINT HARDCOPY

CP 2012 - 332558

Reported: Dec-08-2012 12:32:50

**SUSP WENT INTO THE BACK OF THE BLDG**

12-08-2012 12:38:42 SR11 3965 LEY, AMANDA 6164 Status Change  
**1B34 ER 1072 WEBB, BRIAN 0762 8349 FOLSOM  
BLVD**

12-08-2012 12:38:52 SR11 3965 LEY, AMANDA 6164 Status Change  
**RBT86 ER 3499 LEY, FRANK 0567 8349 FOLSOM  
BLVD**

12-08-2012 12:38:55 SD2 4002 MAITA, CHESSA 6074 Call Remark  
**MY CALLER [REDACTED] CP [REDACTED] MY CALLER'S  
DAUGH HAD GUN PULLED ON HER\*\***

12-08-2012 12:38:56 SD14 3580 SINGH, MANPREET 6084 Call Remark  
**1 EMP HIDING IS IN THE BATHROOM OR ELECTRIC ROOM  
AND 1 IS IN THE BREAKROOM**

12-08-2012 12:39:23 CS1 248 SOUTHWARD, KAMERON 6159 Call Remark  
**CSUS PD ADV'D AND WILL SEND UNITS \*\*\*\*\***

12-08-2012 12:39:58 SD13 4035 ROBLES, JENNAFER 6042 ([REDACTED]) Call Remark  
**2 SUBJS BEHIND THE BLDG 1 DEFINITELY HAD A BLK  
GUN,MWL20S,UNK CLOTHING....C HAS NO DESC OF 3RD  
SUBJ....NO VEH SEEN**

12-08-2012 12:40:07 SR11 3965 LEY, AMANDA 6164 Status Change  
**1B31 ER 3678 STRAUTMAN, TIMOTHY 0397 8349  
FOLSOM BLVD**

12-08-2012 12:40:19 SD14 3580 SINGH, MANPREET 6084 Call Remark  
**EMPS ARE # 1 F/INDIAN 65,SHE WAS LS OUTSIDE...MTF**

12-08-2012 12:40:22 SR11 3965 LEY, AMANDA 6164 Call Remark  
**DOOR PINNED -- GUN IN RIGHT HAND ---**

12-08-2012 12:40:34 1B35 1026 BAKER, DEE 7754  
**1B35 OS 1026 BAKER, DEE 7754**

12-08-2012 12:40:56 SR11 3965 LEY, AMANDA 6164 Call Remark  
**1B65 FRONT DOOR --- REPLYING RIFLE -----**

12-08-2012 12:41:00 SD14 3580 SINGH, MANPREET 6084 Call Remark  
**# 2 EMP F-INDIAN 21 Y/O,SHE'S STILL INSIDE W/THE  
SUSP ..SUSP HAS THE DOORS CLOSED W/SOME WIRES \*\*\*\***

12-08-2012 12:41:02 SR11 3965 LEY, AMANDA 6164 Call Remark  
**2SM6 AT THE BK DOOR -----**

12-08-2012 12:41:29 SD14 3580 SINGH, MANPREET 6084 Call Remark  
**I LL W/ONE OF THE VICITMS - [REDACTED] \*\***

12-08-2012 12:42:16 SD14 3580 SINGH, MANPREET 6084 Call Remark  
**TOLD [REDACTED] TO WAIT INSIDE 925 & TO TALK W/UNITS  
O/S..NO LONGER LL ..NFI**

12-08-2012 12:42:17 CS1 248 SOUTHWARD, KAMERON 6159 Call Remark

SACRAMENTO POLICE DEPARTMENT  
COMPLAINT HARDCOPY

CP 2012 - 332558

Reported: Dec-08-2012 12:32:50

**LN26 COPIED**

12-08-2012 12:42:39 CS1 248 SOUTHWARD, KAMERON 6159 Call Remark  
**LN26 COPIED AND IS ER**

12-08-2012 12:42:44 CS1 248 SOUTHWARD, KAMERON 6159 Status Change  
**LN26 ER 483 JOY, DENNIS 5005 (-) 8349  
FOLSOM BLVD**

12-08-2012 12:42:54 SR11 3965 LEY, AMANDA 6164 Call Update  
**Related Call: ADDED DUPLICATE:SA12-332567**

12-08-2012 12:42:54 SR11 3965 LEY, AMANDA 6164 Call Remark  
**DUPLICATE: SA12-332567: INFO VIA CHP... FEM  
SAYING "PLEASE DONT COME HERE PLEASE DONT COME  
HERE\*\*\* FEM SOUNDED RATTLED PER CHP... UNK IF RE  
TO 211**

12-08-2012 12:43:02 SR11 3965 LEY, AMANDA 6164 Status Change  
**1B29 ER 3090 MARKS, DARREN 0236 ( )  
8349 FOLSOM BLVD**

12-08-2012 12:43:07 1B39 4046 LEMOINE, ALEX 0225 Status Change  
**1B39 OS 4046 LEMOINE, ALEX 0225**

12-08-2012 12:43:18 SR9 507 QUINTON, KINDRA 6093 Status Change  
**SCT73 OS 128 BURGER, GORDON 7746 ( )  
8349 FOLSOM BLVD**

12-08-2012 12:43:23 SR9 507 QUINTON, KINDRA 6093 Status Change  
**SCT72 OS 584 LOUI, MYRON 0745 8349 FOLSOM  
BLVD**

12-08-2012 12:44:41 CS1 248 SOUTHWARD, KAMERON 6159 Call Update  
**Call re-directed: P7**

12-08-2012 12:44:48 SR11 3965 LEY, AMANDA 6164 Call Remark  
**DEL 13**

12-08-2012 12:44:52 CS3 286 HAZEL, S 6192 ( )  
**K91 ER 627 MATTHEW, LINDA 0353 FROM:  
P3// TO P7//**

12-08-2012 12:45:16 CS3 286 HAZEL, S 6192 ( )  
**1B35 OS 1026 BAKER, DEE 7754 SUPPRESS  
AVL: TO N**

12-08-2012 12:45:30 CS3 286 HAZEL, S 6192 ( )  
**1B35 OS 1026 BAKER, DEE 7754 FROM: 3B/P3/  
TO P7//**

12-08-2012 12:45:50 CS3 286 HAZEL, S 6192 ( )  
**1B65 ER 3019 WILHITE, KURT 3019 FROM:  
6B/P6/ TO P7// SUPPRESS AVL: TO N**

12-08-2012 12:46:09 SR10 4035 ROBLES, JENNAFER 6042 ( )  
**1B18 ER 3128 DUCKHAM, NATALIE 0830 FROM:**

SACRAMENTO POLICE DEPARTMENT  
COMPLAINT HARDCOPY

CP 2012 - 332558

Reported: Dec-08-2012 12:32:50

1C/P1/ TO P7// SUPPRESS AVL: TO N

12-08-2012 12:46:10 CS3 286 HAZEL, S 6192 ( )  
1B64 ER 107 BROWN, EDWARD P 7714 FROM:  
6B/P6/ TO P7// SUPPRESS AVL: TO N

12-08-2012 12:46:20 CS3 286 HAZEL, S 6192 ( )  
1B32 ER 4013 KNOBLOCK, NICHOLAS 0239  
FROM: 3A/P3/ TO P7// SUPPRESS AVL: TO N

12-08-2012 12:46:25 SR11 3965 LEY, AMANDA 6164 Status Change  
1B28 ER 3666 HAWLEY, AMBER 0216 ( )  
8349 FOLSOM BLVD

12-08-2012 12:46:27 CS3 286 HAZEL, S 6192 ( )  
2SM3 ER 580 LOMMORI, MICHAEL 7719 FROM:  
P3// TO P7// SUPPRESS AVL: TO N

12-08-2012 12:46:31 SR11 3965 LEY, AMANDA 6164  
1B28 ER 3666 HAWLEY, AMBER 0216 ( )  
FROM: 2C/P2/ TO P7// SUPPRESS AVL: TO N

12-08-2012 12:46:42 SR11 3965 LEY, AMANDA 6164 Call Remark  
SUSP ARMED W/SILVER REVOLER ----

12-08-2012 12:46:48 CS3 286 HAZEL, S 6192 ( )  
1B69 ER 528 LAFLAMME, KEITH 0410 ( )  
FROM: 6C/P6/ TO P7// SUPPRESS AVL: TO N

12-08-2012 12:46:54 SR11 3965 LEY, AMANDA 6164 Status Change  
PS5 OS PSO1 CONROY, ROBERT PSO1 ( )  
8349 FOLSOM BLVD

12-08-2012 12:46:57 CS3 286 HAZEL, S 6192 ( )  
2SM6 ER 303 FREEMAN, PAUL 7767 FROM: P6//  
TO P7// SUPPRESS AVL: TO N

12-08-2012 12:46:58 SR11 3965 LEY, AMANDA 6164  
PS5 OS PSO1 CONROY, ROBERT PSO1 ( )  
FROM: P3// TO P7//

12-08-2012 12:47:44 SR9 507 QUINTON, KINDRA 6093 Call Remark  
SSD IS 906 ADVING FOLSOM/JULLIARD NEEDS TO BE  
SHUT DOWN

12-08-2012 12:47:48 CS3 286 HAZEL, S 6192 ( ) Call Remark  
PER SSD ON THE HOTLINE,FOLSOM/JULLIARD NEEDS TO  
BE SHUT DOWN

12-08-2012 12:47:53 1B31 3678 STRAUTMAN, TIMOTHY 0397 Status Change  
1B31 OS 3678 STRAUTMAN, TIMOTHY 0397

12-08-2012 12:48:19 CS1 248 SOUTHWARD, KAMERON 6159 Status Change  
PIO2 ER 3319 MORSE, DOUGLAS 3121 8349  
FOLSOM BLVD

12-08-2012 12:48:25 CS1 248 SOUTHWARD, KAMERON 6159 Call Remark

SACRAMENTO POLICE DEPARTMENT  
COMPLAINT HARDCOPY

CP 2012 - 332558

Reported: Dec-08-2012 12:32:50

**PIO2 IS ER**

12-08-2012 12:48:42 1B18 3128 DUCKHAM, NATALIE 0830 Status Change  
**1B18 OS 3128 DUCKHAM, NATALIE 0830**

12-08-2012 12:48:43 CS3 286 HAZEL, S 6192 ( )  
**1B29 ER 3090 MARKS, DARREN 0236 ( )**  
**FROM: 2C/P2/ TO P7//**

12-08-2012 12:49:07 CS3 286 HAZEL, S 6192 ( )  
**1B34 ER 1072 WEBB, BRIAN 0762 FROM:**  
**3B/P3/ TO P7// SUPPRESS AVL: TO N**

12-08-2012 12:49:14 CS3 286 HAZEL, S 6192 ( )  
**1B37 ER 3370 MANTELL, CHARLES 3109**  
**SUPPRESS AVL: TO N**

12-08-2012 12:49:22 CS3 286 HAZEL, S 6192 ( )  
**1B37 ER 3370 MANTELL, CHARLES 3109 FROM:**  
**3C/P3/ TO P7//**

12-08-2012 12:49:22 SR11 3965 LEY, AMANDA 6164 Call Remark  
**K91 ADDL DOOR ON THE WEST SIDE ---- FACING FOLSOM**

12-08-2012 12:49:25 CS3 286 HAZEL, S 6192 ( )  
**LN26 ER 483 JOY, DENNIS 5005 (-) FOR**  
**VEH:B5777 ID: B5777 SUPPRESS AVL: TO N**

12-08-2012 12:49:37 CS3 286 HAZEL, S 6192 ( )  
**LN26 ER 483 JOY, DENNIS 5005 (-) FROM:**  
**P1/P3/P5 TO P7//**

12-08-2012 12:49:44 CS3 286 HAZEL, S 6192 ( )  
**1B31 OS 3678 STRAUTMAN, TIMOTHY 0397**  
**SUPPRESS AVL: TO N**

12-08-2012 12:49:52 CS3 286 HAZEL, S 6192 ( )  
**1B31 OS 3678 STRAUTMAN, TIMOTHY 0397**  
**FROM: 3A/P3/ TO P7//**

12-08-2012 12:49:58 SR11 3965 LEY, AMANDA 6164  
**1B37 OS 3370 MANTELL, CHARLES 3109 Sent**  
**to MDT: 1B37,Status changed to OS by SR11**

12-08-2012 12:49:58 SR11 3965 LEY, AMANDA 6164  
**1B37 OS 3370 MANTELL, CHARLES 3109**

12-08-2012 12:49:58 SR11 3965 LEY, AMANDA 6164  
**1B65 OS 3019 WILHITE, KURT 3019 Sent to**  
**MDT: 1B65,Status changed to OS by SR11**

12-08-2012 12:49:58 SR11 3965 LEY, AMANDA 6164  
**1B65 OS 3019 WILHITE, KURT 3019**

12-08-2012 12:49:58 SR11 3965 LEY, AMANDA 6164  
**1B34 OS 1072 WEBB, BRIAN 0762 Sent to**  
**MDT: 1B34,Status changed to OS by SR11**



SACRAMENTO POLICE DEPARTMENT  
COMPLAINT HARDCOPY

CP 2012 - 332558

Reported: Dec-08-2012 12:32:50

12-08-2012 12:49:58 SR11 3965 LEY, AMANDA 6164 Status Change  
1B34 OS 1072 WEBB, BRIAN 0762

12-08-2012 12:49:58 SR11 3965 LEY, AMANDA 6164 Status Change  
1B64 OS 107 BROWN, EDWARD P 7714

12-08-2012 12:49:58 SR11 3965 LEY, AMANDA 6164  
1B64 OS 107 BROWN, EDWARD P 7714 Sent to  
MDT: 1B64,Status changed to OS by SR11

12-08-2012 12:49:59 CS3 286 HAZEL, S 6192 ( )  
1B39 OS 4046 LEMOINE, ALEX 0225 SUPPRESS  
AVL: TO N

12-08-2012 12:50:10 SR11 3965 LEY, AMANDA 6164 Status Change  
LN26 IS 483 JOY, DENNIS 5005 (-)

12-08-2012 12:50:22 SR11 3965 LEY, AMANDA 6164  
1B69 OS 528 LAFLAMME, KEITH 0410 ( )  
Sent to MDT: 1B69,Status changed to OS by SR11

12-08-2012 12:50:22 SR11 3965 LEY, AMANDA 6164 Status Change  
K91 OS 627 MATTHEW, LINDA 0353

12-08-2012 12:50:22 SR11 3965 LEY, AMANDA 6164  
1B69 OS 528 LAFLAMME, KEITH 0410 ( )

12-08-2012 12:50:22 SR11 3965 LEY, AMANDA 6164  
K91 OS 627 MATTHEW, LINDA 0353 Sent to  
MDT: K91,Status changed to OS by SR11

12-08-2012 12:50:30 SR11 3965 LEY, AMANDA 6164 Status Change  
RBT86 OS 3499 LEY, FRANK 0567

12-08-2012 12:50:30 SR11 3965 LEY, AMANDA 6164  
RBT86 OS 3499 LEY, FRANK 0567 Sent to MDT:  
RBT86,Status changed to OS by SR11

12-08-2012 12:50:30 SR11 3965 LEY, AMANDA 6164 Status Change  
2SM6 OS 303 FREEMAN, PAUL 7767

12-08-2012 12:50:30 SR11 3965 LEY, AMANDA 6164  
2SM6 OS 303 FREEMAN, PAUL 7767 Sent to  
MDT: 2SM6,Status changed to OS by SR11

12-08-2012 12:50:35 SR9 507 QUINTON, KINDRA 6093 Status Change  
1B67 ER 699 MULLIGAN, PATRICK 7760 8349  
FOLSOM BLVD

12-08-2012 12:50:39 SR9 507 QUINTON, KINDRA 6093 Call Remark  
1B67/SR4,ERT C3

12-08-2012 12:50:45 SR11 3965 LEY, AMANDA 6164  
1B67 OS 699 MULLIGAN, PATRICK 7760

12-08-2012 12:50:46 SR11 3965 LEY, AMANDA 6164

SACRAMENTO POLICE DEPARTMENT  
COMPLAINT HARDCOPY

CP 2012 - 332558

Reported: Dec-08-2012 12:32:50

**1B67 OS 699 MULLIGAN, PATRICK 7760 Sent to MDT: 1B67,Status changed to OS by SR11**

12-08-2012 12:50:48 SR11 3965 LEY, AMANDA 6164  
**1B67 ER 699 MULLIGAN, PATRICK 7760**

12-08-2012 12:50:48 SR11 3965 LEY, AMANDA 6164  
**1B67 ER 699 MULLIGAN, PATRICK 7760 Sent to MDT: 1B67,Status changed to ER by SR11**

12-08-2012 12:50:52 SR11 3965 LEY, AMANDA 6164  
**2SM3 OS 580 LOMMORI, MICHAEL 7719 Sent to MDT: 2SM3,Status changed to OS by SR11**

12-08-2012 12:50:52 SR11 3965 LEY, AMANDA 6164 Status Change  
**2SM3 OS 580 LOMMORI, MICHAEL 7719**

12-08-2012 12:50:57 SR11 3965 LEY, AMANDA 6164  
**1B32 OS 4013 KNOBLOCK, NICHOLAS 0239 Sent to MDT: 1B32,Status changed to OS by SR11**

12-08-2012 12:50:57 SR11 3965 LEY, AMANDA 6164 Status Change  
**1B32 OS 4013 KNOBLOCK, NICHOLAS 0239**

12-08-2012 12:51:27 CS3 286 HAZEL, S 6192 ( )  
**1B39 OS 4046 LEMOINE, ALEX 0225 FROM: 3C/P3/ TO P7//**

12-08-2012 12:51:34 CS3 286 HAZEL, S 6192 ( )  
**RBT86 OS 3499 LEY, FRANK 0567 SUPPRESS AVL: TO N**

12-08-2012 12:51:44 CS3 286 HAZEL, S 6192 ( )  
**RBT86 OS 3499 LEY, FRANK 0567 FROM: P3// TO P7//**

12-08-2012 12:51:50 CS3 286 HAZEL, S 6192 ( )  
**SCT72 OS 584 LOUI, MYRON 0745 SUPPRESS AVL: TO N**

12-08-2012 12:51:58 CS3 286 HAZEL, S 6192 ( )  
**SCT72 OS 584 LOUI, MYRON 0745 FROM: P3// TO P7//**

12-08-2012 12:52:07 CS3 286 HAZEL, S 6192 ( )  
**SCT73 OS 128 BURGER, GORDON 7746 ( ) FROM: P3// TO P7//**

12-08-2012 12:52:40 SR9 507 QUINTON, KINDRA 6093  
**1B67 ER 699 MULLIGAN, PATRICK 7760 FROM: 6C/P6/ TO P7// SUPPRESS AVL: TO N**

12-08-2012 12:53:02 1B29 3090 MARKS, DARREN 0236 ( ) Status Change  
**1B29 OS 3090 MARKS, DARREN 0236 ( )**

12-08-2012 12:53:07 SR11 3965 LEY, AMANDA 6164 Call Remark  
**2SM6 USING LOUD SPEAKERS TO CLEAR ALL THE**

SACRAMENTO POLICE DEPARTMENT  
COMPLAINT HARDCOPY

CP 2012 - 332558

Reported: Dec-08-2012 12:32:50

**SPECTATORS -----**

12-08-2012 12:53:37 SR11 3965 LEY, AMANDA 6164 Status Change  
LN26 ER 483 JOY, DENNIS 5005 (-) 8349  
FOLSOM BLVD

12-08-2012 12:54:12 SR11 3965 LEY, AMANDA 6164 Status Change  
BEAT3 ER 1118 YEPES, JOSE 0547 8349 FOLSOM  
BLVD

12-08-2012 12:54:13 SR11 3965 LEY, AMANDA 6164 Status Change  
BEAT4 ER 3077 MARQUEZ, GUILLERMO 0847 8349  
FOLSOM BLVD

12-08-2012 12:54:19 SR9 507 QUINTON, KINDRA 6093  
LN26 ER 483 JOY, DENNIS 5005 (-) FROM:  
P1/P3/P5 TO P7// SUPPRESS AVL: TO N

12-08-2012 12:54:20 SR11 3965 LEY, AMANDA 6164  
BEAT3 ER 1118 YEPES, JOSE 0547 FROM:  
3M/P3/ TO P7// FOR VEH:B8130 ID: B8130 SUPPRESS  
AVL: TO N

12-08-2012 12:54:26 SR11 3965 LEY, AMANDA 6164  
BEAT4 ER 3077 MARQUEZ, GUILLERMO 0847  
FROM: 3M/P3/ TO P7// FOR VEH:B5123 ID: B5123  
SUPPRESS AVL: TO N

12-08-2012 12:54:50 SR11 3965 LEY, AMANDA 6164 Call Remark  
1B65 NO MOVEMENT SEEN ----

12-08-2012 12:55:56 1B67 699 MULLIGAN, PATRICK 7760  
1B67 OS 699 MULLIGAN, PATRICK 7760

12-08-2012 12:56:14 LN26 483 JOY, DENNIS 5005 (-) Status Change  
LN26 OS 483 JOY, DENNIS 5005 (-)

12-08-2012 12:56:55 SR12 258 EBO, NATASHA 6071  
PS5 OS PSO1 CONROY, ROBERT PSO1 ( )  
JULLIARD/FOLSOM,\*\* BLOCKING TRAFFIC \*\*\*\*

12-08-2012 12:57:10 SR11 3965 LEY, AMANDA 6164 Status Change  
UNN31 ER 3027 GREEN, ADAM P 5130 8349  
FOLSOM BLVD

12-08-2012 12:57:45 SR11 3965 LEY, AMANDA 6164  
1B67 OS 699 MULLIGAN, PATRICK 7760  
FOLSOM/JULLIARD

12-08-2012 12:57:54 SR10 4035 ROBLES, JENNAFER 6042 ( )  
UNN31 ER 3027 GREEN, ADAM P 5130 FROM:  
P3// TO P7//

12-08-2012 12:58:01 SR12 258 EBO, NATASHA 6071 Call Remark  
PER LN26 .. \*\* COMMAND POST WILL BE TO THE REAR  
OF THE RALEYS IN THE SHOPPING CENTER.. UNITS TO  
ENTER WB FOLSOM FROM WATT \*\*\*\*

SACRAMENTO POLICE DEPARTMENT  
COMPLAINT HARDCOPY

CP 2012 - 332558

Reported: Dec-08-2012 12:32:50

12-08-2012 12:58:21 SR11 3965 LEY, AMANDA 6164 Status Change  
NEG31 ER 3430 LONGANECKER, DANIL 3017  
8349 FOLSOM BLVD

12-08-2012 12:58:31 1B28 3666 HAWLEY, AMBER 0216 ( )  
1B28 OS 3666 HAWLEY, AMBER 0216 ( )

12-08-2012 13:01:02 SR11 3965 LEY, AMANDA 6164 Status Change  
UNN11 ER 8349 FOLSOM BLVD

12-08-2012 13:01:10 SR11 3965 LEY, AMANDA 6164 Status Change  
UNN10 ER 8349 FOLSOM BLVD

12-08-2012 13:01:14 SR11 3965 LEY, AMANDA 6164 Status Change  
UNN13 ER 8349 FOLSOM BLVD

12-08-2012 13:01:23 SR11 3965 LEY, AMANDA 6164 Status Change  
UNN20 ER 8349 FOLSOM BLVD

12-08-2012 13:01:27 CS1 248 SOUTHWARD, KAMERON 6159 Status Change  
UNN24 ER 570 LIGHTFOOT, JOHN 3050 8349  
FOLSOM BLVD

12-08-2012 13:01:45 SR11 3965 LEY, AMANDA 6164 Status Change  
UNN25 ER 3266 ROSIN, DOUGLAS 3021 (-) 8349  
FOLSOM BLVD

12-08-2012 13:01:49 SR11 3965 LEY, AMANDA 6164 Status Change  
UNN27 ER 8349 FOLSOM BLVD

12-08-2012 13:02:01 SR9 507 QUINTON, KINDRA 6093 Status Change  
COM31 ER 3965 LEY, AMANDA 6164 8349 FOLSOM  
BLVD

12-08-2012 13:02:02 SR10 4035 ROBLES, JENNAFER 6042 ( ) Status Change  
UNN16 ER 3876 JARVIS, JEREMIAH 3022 8349  
FOLSOM BLVD

12-08-2012 13:02:13 SR10 4035 ROBLES, JENNAFER 6042 ( ) Status Change  
NEG40 ER 1053 VOSKA, DOUGLAS 7736 8349  
FOLSOM BLVD

12-08-2012 13:03:52 SR11 258 EBO, NATASHA 6071 Call Remark  
\*\*\* GOING TO MAKE CONTACT AT BANK OF  
AMERICA, JACKSON HEWITT AND THE HAIR SALON  
\*\*\*\*\*

12-08-2012 13:04:13 CS1 248 SOUTHWARD, KAMERON 6159 Call Remark  
SWAT/HNT CALL OUT DONE .. AND MANAGEMENT PAGE SENT

12-08-2012 13:04:31 SR11 258 EBO, NATASHA 6071 Special Service Request  
(HS) HOTSEAT: HS,SD9,1B18 .. REV PLZ..  
( ) FOR A NAME PLEASE

12-08-2012 13:05:07 SR11 258 EBO, NATASHA 6071 Call Remark  
\*\*\*\* MEDIA TO SET UP ON THE WEST SIDE OF THE

SACRAMENTO POLICE DEPARTMENT  
COMPLAINT HARDCOPY

CP 2012 - 332558

Reported: Dec-08-2012 12:32:50

**SALON,OUT OF SIGHT \*\*\*\*\***

12-08-2012 13:05:26 SR11 258 EBO, NATASHA 6071 Call Remark  
**\*\* EMP FAMILY SHOWING UP \*\***

12-08-2012 13:06:47 CS1 248 SOUTHWARD, KAMERON 6159 Status Change  
**K910 ER 990 THOMPSON, AARON 3140 8349  
FOLSOM BLVD**

12-08-2012 13:07:47 SR11 258 EBO, NATASHA 6071 Status Change  
**UNN15 ER 3149 DAVIS, ANDREW 0853 8349  
FOLSOM BLVD**

12-08-2012 13:09:20 SD14 3580 SINGH, MANPREET 6084 Call Remark  
**BANK OF AMERICA SCTY WANTS AN OFFCR TO MAKE  
CONTACT W/THEIR BANK MNGR : [REDACTED] AT 8363  
FOLSOM BLVD,AND DIRECT THEM ON WHAT IS THE BEST  
WAY TO HAVE EMPS EXIT THE BLDG..MNGR'S CP # IS  
[REDACTED]**

12-08-2012 13:09:34 SR12 3508 YONEMURA, JENNIFER 6023  
**1B18 OS 3128 DUCKHAM, NATALIE 0830**

12-08-2012 13:10:13 SR11 258 EBO, NATASHA 6071 Special Service Request  
**(HS) HOTSEAT: HS,SD9,CAN U CALL BANK OF AMERICA  
BACK .. ADV THEM TO EXIT EB PER 2SM3**

12-08-2012 13:11:05 SR11 258 EBO, NATASHA 6071 Status Change  
**NEG34 ER 440 HUGHES, C 0718 8349 FOLSOM  
BLVD**

12-08-2012 13:11:35 SR11 258 EBO, NATASHA 6071 Call Remark  
**\*\* PER 2SM3 \*\*\* 2 FEMS STILL UNACCOUNTED FOR ....  
SUSP POSS MENTIONED SUICIDE \*\*\* \***

12-08-2012 13:11:47 SD6 831 SWAFFORD, JENA R 6434 Call Remark  
**2SM3/BOFA MNGR [REDACTED] WAS ADV'D TO EXIT EB PER 2SM3  
\*\*\***

12-08-2012 13:12:12 SR11 258 EBO, NATASHA 6071 Status Change  
**UNN15 OS 3149 DAVIS, ANDREW 0853**

12-08-2012 13:12:37 SR11 258 EBO, NATASHA 6071 Status Change  
**UNN11 OS**

12-08-2012 13:13:49 SR11 258 EBO, NATASHA 6071 Call Remark  
**UNN11 SWAT WILL BE THERE SHORTLY**

12-08-2012 13:14:03 SR11 258 EBO, NATASHA 6071 Status Change  
**UNN23 OS 511 KIRTLAN, JOSHUA 3122 8349  
FOLSOM BLVD**

12-08-2012 13:14:39 SR11 258 EBO, NATASHA 6071 Call Remark  
**LN26 \*\*\* NEED UNIT TO WEST SIDE OF RALEYS  
SHOPPING CENTER \*\*\* TO STOP TRAFFIC \*\* CONSTANT  
STREAM OF TRAFFIC GOING PAST THE COMMAND POST \*\*\*\***

SACRAMENTO POLICE DEPARTMENT  
COMPLAINT HARDCOPY

CP 2012 - 332558

Reported: Dec-08-2012 12:32:50

12-08-2012 13:15:12 SD3 3902 SONG, WON J 6187 Call Remark  
UTL ANY HIST FROM [REDACTED], OK TO USE CSA PER CS3

12-08-2012 13:15:33 SR11 258 EBO, NATASHA 6071 Call Remark  
LN26 SUSP ATT'D TO WRAP THE DOOR HANDLES W/WIRE  
\*\*\*

12-08-2012 13:16:39 SR11 258 EBO, NATASHA 6071 Call Remark  
LN26 \*\* WEST SIDE DOOR SHOULD BE LOCKED.. FRONT  
DOOR WAS THE DOOR THAT THE SUSP ATT'D TO WRAP ...

12-08-2012 13:17:10 CS1 248 SOUTHWARD, KAMERON 6159 Call Remark  
EOD/ROBOT CALL OUT DONE PER UNN1/WATSON \*\*\*

12-08-2012 13:17:18 CS1 248 SOUTHWARD, KAMERON 6159 Status Change  
UNN1 ER 1069 WATSON, JEFF 4093 [REDACTED]  
8349 FOLSOM BLVD

12-08-2012 13:17:31 CS1 248 SOUTHWARD, KAMERON 6159 Status Change  
UNN12 ER 364 GRIFFIN, KEVIN C 7619 8349  
FOLSOM BLVD

12-08-2012 13:17:32 SR11 258 EBO, NATASHA 6071  
UNN11 OS 1064 WALTERS, STEVEN 0453 [REDACTED]

12-08-2012 13:17:32 SR11 258 EBO, NATASHA 6071  
UNN11 OS 1064 WALTERS, STEVEN 0453 [REDACTED]  
SUPPRESS AVL: TO N

12-08-2012 13:17:42 CS1 248 SOUTHWARD, KAMERON 6159 Status Change  
UNN14 ER 2994 EDGERTON, TODD 3131 8349  
FOLSOM BLVD

12-08-2012 13:17:43 SR11 258 EBO, NATASHA 6071  
UNN11 OS 1064 WALTERS, STEVEN 0453 [REDACTED]  
FROM TYPE: XX TO SW

12-08-2012 13:17:51 SR9 507 QUINTON, KINDRA 6093 Status Change  
NEG15 ER 3533 ROBISON, BRADLEY O 3074 8349  
FOLSOM BLVD

12-08-2012 13:18:10 CS1 248 SOUTHWARD, KAMERON 6159 Status Change  
UNN21 ER 313 GALIPEAU, MICHAEL 0316 [REDACTED]  
8349 FOLSOM BLVD

12-08-2012 13:18:12 SR11 258 EBO, NATASHA 6071 Status Change  
NEG14 ER 174 CHESTERMAN, RONALD R 7793  
8349 FOLSOM BLVD

12-08-2012 13:18:17 CS1 248 SOUTHWARD, KAMERON 6159 Status Change  
UNN22 ER 80 BLESSING, MICHAEL 0266 8349  
FOLSOM BLVD

12-08-2012 13:18:35 CS1 248 SOUTHWARD, KAMERON 6159 Status Change  
UNN26 ER 3677 BEVINS, TOD 3044 8349 FOLSOM  
BLVD

SACRAMENTO POLICE DEPARTMENT  
COMPLAINT HARDCOPY

CP 2012 - 332558

Reported: Dec-08-2012 12:32:50

- 12-08-2012 13:18:57 SR11 258 EBO, NATASHA 6071 Call Remark  
UNN11 MOVING UP
- 12-08-2012 13:19:33 SR11 258 EBO, NATASHA 6071 Call Remark  
2SM3 \*\* IF THEY HEAR SHOTS FIRED, THEY WILL MAKE  
ENTRY \*\*
- 12-08-2012 13:19:49 SD6 831 SWAFFORD, JENA R 6434 Call Remark  
\*\*\*\*\* CHP JUST GOT A CALL FROM A FEM HITTING OFF  
THE TOWER AT █████ LAKE FORREST DR --- KEPT SAYING  
SHE WAS AT JACK IN THE BOX AND NEEDED HELP \*\*\*\*\*  
SAID SHE WAS ON FOLSOM IN SAC CA ... # █████  
█████ ...CALL CAME IN AT 1312 HRS TO CHP VIA 911  
\*\*\*\*\* NO BACKGROUND NOISE, WAS TALKING LOW THO
- 12-08-2012 13:19:50 SR12 3508 YONEMURA, JENNIFER 6023 Call Remark  
BEAT3 % █████
- 12-08-2012 13:20:15 SR11 258 EBO, NATASHA 6071 Call Remark  
LN26 ONE OF THE SUSPS WAS ATTING TO BARRICADE  
HIMSELF IN THE BACK OFFICE \*\*\*\*\* AND WAS ASKING  
WHERE THE ROOF ACCESS WAS \*\*\*\*\*
- 12-08-2012 13:20:26 SR11 258 EBO, NATASHA 6071 Call Remark  
LN26 REQ AIR SUPPORT.. IF NONE AVL .. AIR1 CALL  
OUT APPROVED
- 12-08-2012 13:20:55 SR9 507 QUINTON, KINDRA 6093 Call Remark  
NEG ON OUTSIDE AIR
- 12-08-2012 13:21:27 SR11 258 EBO, NATASHA 6071 Call Remark  
1B35 DRIVE THRU WINDOW ON THE WEST SIDE OF THE  
BLDG ARE OPEN \*\*\*\*\*
- 12-08-2012 13:21:51 SD3 3902 SONG, WON J 6187 Call Remark  
█████ IS SUREWEST WIRELESS, TRYING SUBSCRIBER  
INFO NOW
- 12-08-2012 13:21:53 CS1 248 SOUTHWARD, KAMERON 6159 Call Remark  
AIR1 CALLOUT DONE .. PER SGT HUTCHINS HOPEFULLY  
ONSCENE W/IN 45 MINS
- 12-08-2012 13:21:55 SD6 831 SWAFFORD, JENA R 6434 Call Remark  
\*\*\* FOR THE CALL ... IT WAS A FEM CALLER TO  
CHP, MIGHT HAVE HAD A SLIGHT INDIAN OR ASIAN  
ACCEPT --- SAID SPECIFICALLY "I NEED HELP" AND I  
AM ON FOLSOM BLVD IN SACTO --- CHP KEPT TRYING TO  
CONFIRM SHE FINALLY SAID SHE WAS AT JACK IN THE  
BOX .. SHE WAS MUMBLING SOMETHING THAT SOUNDED  
LIKE #'S AND THEN
- 12-08-2012 13:22:42 SD6 831 SWAFFORD, JENA R 6434 Call Remark  
\*\*\* CHP DISPATCHER IS KELLY AT POSITION #3 ---  
AND ITS CHP #960 \*\*\*\*\*
- 12-08-2012 13:23:28 SR11 258 EBO, NATASHA 6071 Status Change  
UNN24 OS 570 LIGHTFOOT, JOHN 3050

SACRAMENTO POLICE DEPARTMENT  
COMPLAINT HARDCOPY

CP 2012 - 332558

Reported: Dec-08-2012 12:32:50

- 12-08-2012 13:23:45 SD3 3902 SONG, WON J 6187 Call Remark  
SUREWEST ADV [REDACTED] IS A VERIZON CELL, CALLING  
THEM NOW
- 12-08-2012 13:24:21 SD6 831 SWAFFORD, JENA R 6434 Call Remark  
\*\*\* ALSO CHP IS NOW SEEING THAT AT 1237HRS THEY  
GOT AN ADDL CALL FROM SAME # [REDACTED] ---  
MIGHT HAVE BEEN A 911 ABAND BUT I AM ON HOLD FOR  
THAT CHP DISP NOW TO SEE WHAT WAS SAID EXACTLY
- 12-08-2012 13:24:34 SD3 3902 SONG, WON J 6187 Call Remark  
ATT CB SAYING [REDACTED] IS ONE OF THEIR NUMBERS
- 12-08-2012 13:24:45 SR11 258 EBO, NATASHA 6071 Call Remark  
UNN11 NEXT 2 SWAT OPERATORS TO COME UP TO THE  
CONTACT TEAM
- 12-08-2012 13:24:52 CS1 248 SOUTHWARD, KAMERON 6159 Status Change  
LN3 ER 966 SWEENEY, THOMAS 4079 ([REDACTED])  
8349 FOLSOM BLVD
- 12-08-2012 13:25:02 2SM1 802 POROLI, MICHAEL 3103 ([REDACTED]) Status Change  
2SM1 ER 802 POROLI, MICHAEL 3103 ([REDACTED])  
ASSIST:2SM3 /8349 FOLSOM BLVD
- 12-08-2012 13:25:08 SD3 3902 SONG, WON J 6187 Call Remark  
ATT ADV CHP DID SUBSCRIBER INFO REQUEST FOR  
[REDACTED] ....CALLING CHP NOW.
- 12-08-2012 13:25:09 2SM1 802 POROLI, MICHAEL 3103 ([REDACTED]) Status Change  
2SM1 OS 802 POROLI, MICHAEL 3103 ([REDACTED])
- 12-08-2012 13:27:13 SR11 258 EBO, NATASHA 6071 Call Remark  
1B34 MEDIA IS STARTING TO GET INTO BY THE BACK  
SIDE OF THE DAIRY QUEEN .. WILL PLACE THEM IN THE  
LINE OF FIRE AND THEY NEED A UNIT TO MOVE THEM
- 12-08-2012 13:27:24 SR11 258 EBO, NATASHA 6071 Call Remark  
LN26 PIO WILL BE DETERMINING WHERE THE MEDIA  
SHOULD ASSEMBLE
- 12-08-2012 13:27:40 SD6 831 SWAFFORD, JENA R 6434 Call Remark  
\*\*\* CHP DISP WHO TOOK THE CALL FROM FEM AT 1237  
HRS AT [REDACTED]: FEM CALLER WAS TALKING LOW AND  
SAID "DONT COME HERE DONT COME HERE" SEEMED LIKE  
SHE WAS TALKING IN CODE A LITTLE - DISPATCHER  
SAID ARE YOU SAYING FOR POLICE TO COME, AND THE  
FEM SAID YES ... CHP TOLD HER THE POLICE WERE  
COMING AND THE S
- 12-08-2012 13:27:54 SD3 3902 SONG, WON J 6187 Call Remark  
CHP ADV THEY ARE STARTING A PING/SUBSCRIBER INFO  
REQUEST FOR [REDACTED], THEY WILL CB WITH THE  
UPDATES, CONFIRMED IT IS A AT&T CELL
- 12-08-2012 13:28:13 SR11 258 EBO, NATASHA 6071 Call Remark



SACRAMENTO POLICE DEPARTMENT  
COMPLAINT HARDCOPY

CP 2012 - 332558

Reported: Dec-08-2012 12:32:50

**UNN11 IF SUSP IS TRYING TO GET ROOFTOP ACCESS  
WILL NEED A SNIPER ONTO THE SEAFOOD RESTAURANT  
WHERE THEY CAN SEE THE ROOF ..**

12-08-2012 13:28:41 K910 990 THOMPSON, AARON 3140  
K910 ER 990 THOMPSON, AARON 3140  
VEH:11294 ID:716433

12-08-2012 13:28:44 SR11 258 EBO, NATASHA 6071 Call Remark  
LN26 \*\*\* TRAFFIC STILL COMING TO THE REAR OF  
RALEYS ... NEED A UNIT THERE \*\*\*

12-08-2012 13:29:28 SR11 258 EBO, NATASHA 6071 Status Change  
UNN10 OS

12-08-2012 13:30:42 SR11 258 EBO, NATASHA 6071 Status Change  
UNN1 OS 1069 WATSON, JEFF 4093 [REDACTED]

12-08-2012 13:31:16 SR11 258 EBO, NATASHA 6071 Special Service Request  
(FA) FIRE/AMB: FA, NOTIFY FIRE .. NEED THEM TO  
STAGE ON JULLIARD JUST NORTH OF RALEYS SHOPPING  
CENTER \*\*\* UNIT:LN26

12-08-2012 13:32:13 SR11 258 EBO, NATASHA 6071 Call Remark  
UNN11 GROUP OF SUBJS STANDING IN THE RDWAY APPROX  
45 DEGREE ANGLE FROM THE SWAT UNIT .. IF SUSP  
COMES OUT RUNNING THOSE SUBJS WILL BE IN THE LINE  
OF FIRE

12-08-2012 13:32:28 SR11 258 EBO, NATASHA 6071 Call Remark  
UNN11 NEEDS BEARCAT AS CLOSE AS POSS TO THE 1/4  
CORNER

12-08-2012 13:34:04 SR11 258 EBO, NATASHA 6071 Call Remark  
2 WITNESSES SAW A GUN .. ANOTHER WITNESS CONFIRMS  
THAT THE SUSP DRY FIRED THE WPN

12-08-2012 13:34:37 SR11 258 EBO, NATASHA 6071 Call Remark  
2SM3 NEED THE PEOPLE MOVED FROM I/F OF THE RALEYS  
.. DIRECTLY BELOW THE RALEYS SIGN

12-08-2012 13:35:19 SR11 258 EBO, NATASHA 6071 Call Remark  
UNN11 SENDING UNIT TO THE 1/2 CORNER TO HE CAN  
HOLD THE FRONT \*\*\*

12-08-2012 13:35:44 SR12 3508 YONEMURA, JENNIFER 6023 Status Change  
NEG35 OS 602 MACLAFFERTY, SCOTT 3065 8349  
FOLSOM BLVD

12-08-2012 13:36:52 CS1 248 SOUTHWARD, KAMERON 6159 Status Change  
LN10 ER 218 DAVIS, DONALD 7602 [REDACTED]  
8349 FOLSOM BLVD

12-08-2012 13:36:59 SR11 258 EBO, NATASHA 6071 Call Remark  
UNN16 WILL BE MOVING TO THE FRONT OF THE BLDG  
\*\*\*\*\*

SACRAMENTO POLICE DEPARTMENT  
COMPLAINT HARDCOPY

CP 2012 - 332558

Reported: Dec-08-2012 12:32:50

12-08-2012 13:37:07 SR11 258 EBO, NATASHA 6071 Call Remark  
**2SM6 WILL BE MOVING THE SUBJS FROM UNDER THE  
RALEYS SIDE**

12-08-2012 13:37:32 SR12 3508 YONEMURA, JENNIFER 6023 Status Change  
**NEG15 OS 3533 ROBISON, BRADLEY O 3074**

12-08-2012 13:37:35 CS1 248 SOUTHWARD, KAMERON 6159 Status Change  
**COM1 ER 1096 MCDANIEL, LATONYA J 6183  
8349 FOLSOM BLVD**

12-08-2012 13:37:45 CS1 248 SOUTHWARD, KAMERON 6159 Status Change  
**COM10 ER 3848 WARD, STACY 6069 8349 FOLSOM  
BLVD**

12-08-2012 13:38:21 SR11 258 EBO, NATASHA 6071 Call Remark  
**LN26 ..NEED A PATROL UNIT TO RESPOND TO JULLIARD  
NORTH OF RALEYS .. FOR CRIME SCENE CONTROL ..**

12-08-2012 13:38:48 SD6 831 SWAFFORD, JENA R 6434 Call Remark  
**\*\*\* FIRE IS ENRT TO STAGE ON JULLIARD JUST NO OF  
RALEYS AT 8391 FOLSOM BLVD (THERE IS A FIRE  
STATION RIGHT AT THAT 925 FYD) ... FIRE IS GOING  
TO CALL THE BC AND CB WITH THE LOG #**

12-08-2012 13:38:51 SR9 507 QUINTON, KINDRA 6093 Status Change  
**1B44 ER 3536 MCPHAIL, MATTHEW 3144 8349  
FOLSOM BLVD**

12-08-2012 13:39:27 SR11 258 EBO, NATASHA 6071 Status Change  
**UNN33 OS 1046 VILLEGAS, AURELIO 3124 8349  
FOLSOM BLVD**

12-08-2012 13:39:38 SR11 258 EBO, NATASHA 6071  
**UNN33 OS 1046 VILLEGAS, AURELIO 3124**

12-08-2012 13:39:43 SR11 258 EBO, NATASHA 6071 Call Remark  
**UNN33 WILL BE DEPLOYING THE SNIPER**

12-08-2012 13:42:06 LN10 218 DAVIS, DONALD 7602 ( ) Status Change  
**LN10 OS 218 DAVIS, DONALD 7602 ( ) -**

12-08-2012 13:42:22 SR11 258 EBO, NATASHA 6071  
**UNN15 OS 3149 DAVIS, ANDREW 0853 1/2  
CORNER \*\*\* \***

12-08-2012 13:43:39 SR11 258 EBO, NATASHA 6071 Call Remark  
**1B69 \*\* GAS METER ON THE WEST SIDE \*\*\***

12-08-2012 13:43:43 CS3 286 HAZEL, S 6192 ( ) Status Change  
**IV48 OS 3206 KENSIC, KELLY 0742 ( )  
8349 FOLSOM BLVD**

12-08-2012 13:43:46 K98 32 AZEVEDO, JOHN S 3051 Status Change  
**K98 ER 32 AZEVEDO, JOHN S 3051  
ASSIST:K910 /8349 FOLSOM BLVD**

SACRAMENTO POLICE DEPARTMENT  
COMPLAINT HARDCOPY

CP 2012 - 332558

Reported: Dec-08-2012 12:32:50

12-08-2012 13:44:02 SR11 258 EBO, NATASHA 6071 Call Remark  
**K910 PER 2SM3 TO GO TO 8345 FOLSOM RIGHT OFF OF  
NOTRE DAME**

12-08-2012 13:44:26 SR11 258 EBO, NATASHA 6071 Call Remark  
**UNN15 CAN SEE THE DOOR,1/2 CORNER... HEAVY GLARE  
ON THE TINTED WINDOWS**

12-08-2012 13:44:48 SR11 258 EBO, NATASHA 6071 Call Remark  
**UNN16 MOVING BACK**

12-08-2012 13:46:39 SR11 258 EBO, NATASHA 6071 Status Change  
**NEG14 OS 174 CHESTERMAN, RONALD R 7793**

12-08-2012 13:46:57 SD11 3578 DUGGINS, MICHELE 6062 Call Remark  
**FIRE IS CALLING IN .. REQ'ING SOMEONE IN CHARGE  
OS CONTACT THEM REGARDING THIS CALL.. SUPERVISOR  
EMS 1 PH# [REDACTED]**

12-08-2012 13:47:17 K910 990 THOMPSON, AARON 3140 Status Change  
**K910 OS 990 THOMPSON, AARON 3140**

12-08-2012 13:47:37 SR11 258 EBO, NATASHA 6071 Call Remark  
**UNN11 PEACEKEEPER ON THE BACK DOOR**

12-08-2012 13:47:48 SR9 507 QUINTON, KINDRA 6093 Status Change  
**AIR1 ER 447 HUTCHINS, MICHAEL 4101 8349  
FOLSOM BLVD**

12-08-2012 13:47:48 SR9 507 QUINTON, KINDRA 6093 Status Change  
**AIR1 ER 3599 SMART, DAVID 0884 ([REDACTED])  
8349 FOLSOM BLVD**

12-08-2012 13:47:56 SR9 507 QUINTON, KINDRA 6093 Call Remark  
**AIR1 ER .. ETA 20 MINS**

12-08-2012 13:50:58 SR11 258 EBO, NATASHA 6071 Call Remark  
**UNN1 IF SUSP COMES OUT W/HOSTAGE AND GUN .. IF  
HAVE CLEAR SHOT,LETHAL IS AUTHORIZED**

12-08-2012 13:51:52 SR11 258 EBO, NATASHA 6071 Call Remark  
**UNN1 IF SUSP FLEES W/GUN .. ALL STANDARD G.O.'S  
W/USE OF LETHAL FORCE**

12-08-2012 13:52:20 SR11 258 EBO, NATASHA 6071 Status Change  
**UNN31 OS 3027 GREEN, ADAM P 5130**

12-08-2012 13:53:57 SR12 3508 YONEMURA, JENNIFER 6023 Status Change  
**NEG32 ER 695 MOUZIS, CHRISTOPHER 3006 (  
8349 FOLSOM BLVD**

12-08-2012 13:54:41 CS1 248 SOUTHWARD, KAMERON 6159 Status Change  
**LN3 OS 966 SWEENEY, THOMAS 4079 ([REDACTED])**

12-08-2012 13:56:46 SR11 258 EBO, NATASHA 6071 Call Remark  
**UNN1 NEED AIR1 DIRECTLY TO THE SCENE.. NEED A  
VIEW OF THE ROOF**

SACRAMENTO POLICE DEPARTMENT  
COMPLAINT HARDCOPY

CP 2012 - 332558

Reported: Dec-08-2012 12:32:50

- 12-08-2012 13:57:19 SD3 3902 SONG, WON J 6187 Call Remark  
HAVE A [REDACTED] CALLING FROM HER HOME LINE  
[REDACTED]....SHE SAYS HER MOM  
[REDACTED],FEM EAST INDIAN 40YO,CALLED FROM  
CELL [REDACTED] AND SAID SHE'S LOCKED IN THE  
BATHROOM AT JACK IN THE BOX...MOM WORKS  
THERE...MOM SPEAKS PUNJABI...
- 12-08-2012 13:58:11 SR11 258 EBO, NATASHA 6071 Call Remark  
AIR1 6FT LADDER ON THE ROOF PROPPED UNDER THE S/E  
CORNER DIRECTLY UNDER THE JACK IN THE BOX .. NO  
ONE SEEN ON THE ROOF
- 12-08-2012 13:58:34 SD3 3902 SONG, WON J 6187 Call Remark  
MOM WHO IS LOCKED IN BATHROOM JUST CALLED BUT NO  
LONGER LL...JACK IN THE BOX PHONE IS  
[REDACTED]...C IS NOT AWARE OF THE CURRENT  
SITUATION,WHAT DO UNITS WANT HER TO DO
- 12-08-2012 13:59:14 SR9 507 QUINTON, KINDRA 6093 Call Remark  
SCT73 CUSTOMERS AT UMEKO BUFFETT HAVE BEEN  
REMOVED APPROX 10 EMPS CHOSEN TO STAY
- 12-08-2012 13:59:16 SR11 258 EBO, NATASHA 6071 Call Remark  
PER 1B11 .... HAS AN OPEN LINE W/FEM INSIDE THE  
RESTAURANT...SUSP IS TELLING HER NOT TO DO  
ANYTHING STUPID AND KEEPS ASKING ABOUT ROOF  
ACCESS ... FEM IS SAYING SHE WONT DO ANYTHING  
STUPID AS SHE HAS A GUN TO HER HEAD
- 12-08-2012 13:59:40 SR11 258 EBO, NATASHA 6071 Call Remark  
AIR1 SEES EXTERIOR LADDER ON THE NORTH SIDE OF  
THE BLDG
- 12-08-2012 14:00:03 SR11 258 EBO, NATASHA 6071 Call Remark  
PER 1B11.... HEARD THE SUSP SAY HE BETTER STAY  
AWAY FROM WINDOWS BECAUSE HE KNOWS HE'S GOING TO  
GET SHOT
- 12-08-2012 14:01:09 SR9 507 QUINTON, KINDRA 6093 Status Change  
1B63 ER 4027 SMITH, JOSHUA C 0650 8349  
FOLSOM BLVD
- 12-08-2012 14:01:18 SR11 258 EBO, NATASHA 6071 Call Remark  
PER 1B11.. JUST HEARD THE SUSP STATE THAT IF PD  
MAKES ENTRY .. HE WILL SHOT THE HOSTAGE  
\*\*\*\*\*
- 12-08-2012 14:01:23 SR9 507 QUINTON, KINDRA 6093  
1B63 OS 4027 SMITH, JOSHUA C 0650
- 12-08-2012 14:01:23 SR9 507 QUINTON, KINDRA 6093  
1B63 OS 4027 SMITH, JOSHUA C 0650 Sent  
to MDT: 1B63,Status changed to OS by SR9
- 12-08-2012 14:01:30 SR9 507 QUINTON, KINDRA 6093

SACRAMENTO POLICE DEPARTMENT  
COMPLAINT HARDCOPY

CP 2012 - 332558

Reported: Dec-08-2012 12:32:50

1B63 OS 4027 SMITH, JOSHUA C 0650 FROM:  
6A/P6/ TO P7// SUPPRESS AVL: TO N

12-08-2012 14:01:38 CS1 248 SOUTHWARD, KAMERON 6159 Call Remark  
SSD GETING A CALL FROM FEM LOCKED IN THE BATHROOM  
AT THE JACK IN THE BOX .. SHE IS SAYING SHE  
DOESN'T WANT A CALL BACK SHE JUST WANTS HELP..  
TRYING TO GET THE PH#

12-08-2012 14:01:58 SR11 258 EBO, NATASHA 6071 Call Update  
Related Call: ADDED RELATED:SA12-332598

12-08-2012 14:02:50 SR11 258 EBO, NATASHA 6071 Call Remark  
K910 HAS THE N/W CORNER \*\*\*

12-08-2012 14:03:20 SR9 507 QUINTON, KINDRA 6093  
LN10 OS 218 DAVIS, DONALD 7602 ( )  
FROM: P1/P3/P5 TO P7// SUPPRESS AVL: TO N

12-08-2012 14:03:49 SD3 3902 SONG, WON J 6187 Call Remark  
PER CS1 ( ) WAS GIVEN CALL NUMBER OF  
THIS INCIDENT ONLY,NFI...ADV NOT TO CB  
MOM ( ) ADV HER MOM ALSO TOLD HER NOT TO  
CB.. ( ) WAS ADV UNITS ARE 906

12-08-2012 14:06:00 SR10 4035 ROBLES, JENNAFER 6042 ( )  
K98 ER 32 AZEVEDO, JOHN S 3051 FROM:  
P3// TO P7// SUPPRESS AVL: TO N

12-08-2012 14:06:11 CS1 248 SOUTHWARD, KAMERON 6159 Call Remark  
\*\*\*\* CORRECTION - SSD REC'D A CALL FROM A FEM  
( ) AT ( ) IN THE COUNTY  
(PH# ( )) HER MOM IS EMP THAT IS LOCKED IN  
THE BATHROOM AT BUSN AND HAS BEEN CALLING DAUGH  
.. UNK NAME FOR MOM .. DAUGH DIDN'T ANSWER PHN  
WHEN I CALLED BACK \*\*\*\*\*

12-08-2012 14:06:45 SR11 258 EBO, NATASHA 6071 Call Remark  
K91 AND SWAT OFFCR DAVIS HAVE THE 1/2 CORNER  
\*\*\*\*\* \*

12-08-2012 14:08:02 SD3 3902 SONG, WON J 6187 Call Remark  
CHP CB...THEY RECEIVED A CALL FROM ( )  
AGAIN...FEM CALLER SAID "HE WON'T LET ME GO" AND  
OPEN LINE WITH MALE TALKING IN BROUND...CHP ADV  
CELL CAME IN AT BLOCK RANGE FROM 8345 TO 8360  
FOLSOM BLVD...LAT ( ) LONG  
( )...CHP TRIED CB,GET ERROR MESSAGE  
SAYING CALL CAN'T BE COMPLETE

12-08-2012 14:10:08 CS1 248 SOUTHWARD, KAMERON 6159 Special Service Request  
(HS) HOTSEAT: HS,SD9,NEED A REVERSE SEARCH DONE  
ON CP ( ),NEED TO KNOW THE NAME OF THE  
OWNER OF THE CELL PHN AT THIS POINT

12-08-2012 14:10:45 SR11 258 EBO, NATASHA 6071 Call Remark  
UNN1 IF SHOTS ARE HEARD INSIDE.... CONTACT TEAM

SACRAMENTO POLICE DEPARTMENT  
COMPLAINT HARDCOPY

CP 2012 - 332558

Reported: Dec-08-2012 12:32:50

**WILL MAKE ENTRY AND DEAL WITH THE THREAT**

12-08-2012 14:11:40 SR11 258 EBO, NATASHA 6071 Status Change  
**AIR1 OS 447 HUTCHINS, MICHAEL 4101**

12-08-2012 14:11:40 SR11 258 EBO, NATASHA 6071 Status Change  
**AIR1 OS 3599 SMART, DAVID 0884 ( )**

12-08-2012 14:12:07 SR11 258 EBO, NATASHA 6071  
**IV48 OS 3206 KENSIC, KELLY 0742 ( )**

12-08-2012 14:14:25 1B44 3536 MCPHAIL, MATTHEW 3144  
**1B44 OS 3536 MCPHAIL, MATTHEW 3144**

12-08-2012 14:15:19 SD6 831 SWAFFORD, JENA R 6434 Special Service Request  
**(RQ) GEN REQ: RQ,\*\*\* ( ) ---SEE  
COMMENTS AT 1357 HRS ...THE C'S MOM OWNS THAT CP  
( ),FEM EAST INDIAN,40 YRS - SHE IS  
THE ONE LOCKED IN THE BATHROOM AT JACK IN THE BOX  
\*\***

12-08-2012 14:16:38 1B44 3536 MCPHAIL, MATTHEW 3144 RMS Query  
**RMS Q RPT-TYPE:GO RYR:2012 RNM:324957 PKI:N**

12-08-2012 14:16:40 SD14 3580 SINGH, MANPREET 6084 Call Remark  
**( ) WHO RUNS THE SPD & SHERRIFF SCANNER FEED  
APP ON SMARTPHONES IN THE AREA,CALLED TO ADV THAT  
HE SHUT THE FEED DOWN,IN CASE THE SUSP HAS A  
SMARTPHONE ... ( ) CANBE CONTACTED ON PH#  
( ) IF NEEDED.**

12-08-2012 14:18:01 SD14 3580 SINGH, MANPREET 6084 Call Remark  
**CS3 WAS ADV'D OF LAST ON CALL**

12-08-2012 14:19:15 1B44 3536 MCPHAIL, MATTHEW 3144 RMS Query  
**RMS Q RPT-TYPE:GO RYR:2012 RNM:324957 PKI:N**

12-08-2012 14:21:24 SR11 258 EBO, NATASHA 6071 Call Remark  
**UNN13 LADDER TO THE ROOF ON THE 3 SIDE .. POSS  
NOT A ROOF HATCH ON THE BLDG**

12-08-2012 14:26:07 SR9 507 QUINTON, KINDRA 6093 Status Change  
**AIR21 OS CHP21 CHP Fixed Wing Plane 8349  
FOLSOM BLVD**

12-08-2012 14:29:28 SR11 258 EBO, NATASHA 6071 Call Remark  
**ONE SUSP ... 2 FEMS CONFIRMED INSIDE.. UNK ON ANY  
OTHERS INSIDE**

12-08-2012 14:30:27 1B44 3536 MCPHAIL, MATTHEW 3144 External Query  
**EXT Q PERS-NAME:KANG G1:XIONG AGE:20 SEX:M  
RACE:A STATE:CA REC:Y EXTN:Y EXTE:Y EXTM:N  
EXTD:Y PKI:N TONC:Y UNIT:1B44**

12-08-2012 14:30:27 1B44 3536 MCPHAIL, MATTHEW 3144 RMS Query  
**RMS Q PERS-NAME:KANG G1:XIONG AGE:20 SEX:M  
RACE:A STATE:CA REC:Y EXTN:Y EXTE:Y EXTM:N**

SACRAMENTO POLICE DEPARTMENT  
COMPLAINT HARDCOPY

CP 2012 - 332558

Reported: Dec-08-2012 12:32:50

EXTD:Y PKI:N TONC:Y UNIT:1B44

- 12-08-2012 14:30:34 SD2 4002 MAITA, CHESSA 6074 Status Change  
NEG13 ER 212 CURTIS, D 0814 8349 FOLSOM  
BLVD
- 12-08-2012 14:30:52 SR11 258 EBO, NATASHA 6071 Call Remark  
AIR1 TO UNN1 ... AIR21 ASKING TO DROP DOWN TO  
1000 FT IN VERY WIDE ORBITS WILL BE ABLE TO SEE  
INTO THE WINDOWS W/THEIR CAMERAS... UNN1 APPROVED
- 12-08-2012 14:34:51 SR11 258 EBO, NATASHA 6071 Call Remark  
BACK DOOR APPEARS TO BE OPEN ABOUT AN INCH AND  
HALF ..
- 12-08-2012 14:34:53 3SM3 688 MORRIS, JEFFREY 3023 Status Change  
3SM3 ER 688 MORRIS, JEFFREY 3023  
ASSIST:2SM6 /8349 FOLSOM BLVD
- 12-08-2012 14:35:02 3SM3 688 MORRIS, JEFFREY 3023 Status Change  
3SM3 OS 688 MORRIS, JEFFREY 3023
- 12-08-2012 14:35:12 SR11 258 EBO, NATASHA 6071 Call Update  
Related Call: ADDED FOLLOWUP:SA12-332647
- 12-08-2012 14:37:36 SR11 258 EBO, NATASHA 6071 Call Remark  
K91 \*\*\* MOVEMENT INSIDE.. LOOKS LIKE FEM COMING  
TO THE FRONT \*\*\*\*\*
- 12-08-2012 14:37:57 SR11 258 EBO, NATASHA 6071 Call Remark  
K91 FEM COMING THRU THE MIDDLE OF THE RESTAURANT  
\*\*\*\*\*
- 12-08-2012 14:38:23 SR11 258 EBO, NATASHA 6071 Call Remark  
AIR1 UNN TEAM MAKING CONTACT W/THE FEM ON THE  
EAST SIDE OF THE BLDG
- 12-08-2012 14:38:38 SR11 258 EBO, NATASHA 6071 Call Remark  
UNN14 \*\*\* FEM EMP JUST WALKED OUT \*\*\*\*\*
- 12-08-2012 14:43:17 1B67 699 MULLIGAN, PATRICK 7760 Call Remark  
RECORDING THE 1/4 CORNER OF JACK IN THE  
BOX..USING DIGITAL ICC IN VEH 11002C..S/E CORNER  
ADJACENT FOLSOM BLVD
- 12-08-2012 14:45:19 SR11 258 EBO, NATASHA 6071  
UNN20 ER 683 MORGADO, JASON 4067 FROM  
TYPE: XX TO SW SUPPRESS AVL: TO N
- 12-08-2012 14:45:19 SR11 258 EBO, NATASHA 6071  
UNN20 ER 683 MORGADO, JASON 4067
- 12-08-2012 14:45:45 SR11 258 EBO, NATASHA 6071 Status Change  
COM1 OS 1096 MCDANIEL, LATONYA J 6183
- 12-08-2012 14:45:45 SR11 258 EBO, NATASHA 6071 Status Change  
COM10 OS 3848 WARD, STACY 6069

SACRAMENTO POLICE DEPARTMENT  
COMPLAINT HARDCOPY

CP 2012 - 332558

Reported: Dec-08-2012 12:32:50

12-08-2012 14:45:45 SR11 258 EBO, NATASHA 6071 Status Change  
COM31 OS 3965 LEY, AMANDA 6164

12-08-2012 14:45:58 SR11 258 EBO, NATASHA 6071 Status Change  
BEAT4 OS 3077 MARQUEZ, GUILLERMO 0847

12-08-2012 14:45:58 SR11 258 EBO, NATASHA 6071  
BEAT3 OS 1118 YEPES, JOSE 0547 Sent to  
MDT: BEAT3, Status changed to OS by SR11

12-08-2012 14:45:58 SR11 258 EBO, NATASHA 6071 Status Change  
BEAT3 OS 1118 YEPES, JOSE 0547

12-08-2012 14:45:58 SR11 258 EBO, NATASHA 6071  
BEAT4 OS 3077 MARQUEZ, GUILLERMO 0847 Sent  
to MDT: BEAT4, Status changed to OS by SR11

12-08-2012 14:46:05 SR11 258 EBO, NATASHA 6071  
K98 OS 32 AZEVEDO, JOHN S 3051

12-08-2012 14:46:05 SR11 258 EBO, NATASHA 6071  
K98 OS 32 AZEVEDO, JOHN S 3051 Sent to  
MDT: K98, Status changed to OS by SR11

12-08-2012 14:46:16 SR11 258 EBO, NATASHA 6071 Status Change  
PIO2 OS 3319 MORSE, DOUGLAS 3121

12-08-2012 14:46:26 SR11 258 EBO, NATASHA 6071 Status Change  
UNN12 OS 364 GRIFFIN, KEVIN C 7619

12-08-2012 14:46:26 SR11 258 EBO, NATASHA 6071 Status Change  
UNN13 OS

12-08-2012 14:46:26 SR11 258 EBO, NATASHA 6071 Status Change  
UNN14 OS 2994 EDGERTON, TODD 3131

12-08-2012 14:46:40 SR11 258 EBO, NATASHA 6071 Status Change  
UNN20 OS 683 MORGADO, JASON 4067

12-08-2012 14:46:40 SR11 258 EBO, NATASHA 6071 Status Change  
UNN22 OS 80 BLESSING, MICHAEL 0266

12-08-2012 14:46:40 SR11 258 EBO, NATASHA 6071 Status Change  
UNN21 OS 313 GALIPEAU, MICHAEL 0316

12-08-2012 14:46:46 SR11 258 EBO, NATASHA 6071 Status Change  
UNN25 OS 3266 ROSIN, DOUGLAS 3021 (-)

12-08-2012 14:46:46 SR11 258 EBO, NATASHA 6071 Status Change  
UNN26 OS 3677 BEVINS, TOD 3044

12-08-2012 14:46:46 SR11 258 EBO, NATASHA 6071 Status Change  
UNN27 OS

12-08-2012 14:46:46 SR11 258 EBO, NATASHA 6071 Status Change  
UNN16 OS 3876 JARVIS, JEREMIAH 3022



SACRAMENTO POLICE DEPARTMENT  
COMPLAINT HARDCOPY

CP 2012 - 332558

Reported: Dec-08-2012 12:32:50

12-08-2012 14:47:13 SR11 258 EBO, NATASHA 6071 Call Remark  
UNN20 PER THE FEM EMP THAT CAME OUT .. POSS 2  
SUSPS INSIDE AND 5 EMPS .. ONE EMP POSS THE  
MANAGER

12-08-2012 14:47:25 SR11 258 EBO, NATASHA 6071 Status Change  
1C35 ER 3481 MCGOVERN, SHAUN 0892 8349  
FOLSOM BLVD

12-08-2012 14:47:45 SR11 258 EBO, NATASHA 6071 Call Remark  
UNN1 MGR NOT INSIDE... THE MGR IS OUT W/THE UNITS

12-08-2012 14:47:56 SR11 258 EBO, NATASHA 6071 Call Remark  
UNN20 \*\*\* DOOR ON THE 1/4 SIDE IS UNLOCKED \*\*\*\*

12-08-2012 14:48:16 SR10 4035 ROBLES, JENNAFER 6042 ( ) Status Change  
MTR65 ER 3217 DUCKHAM, JEREMY 0676 ( )  
8349 FOLSOM BLVD

12-08-2012 14:48:51 SR11 258 EBO, NATASHA 6071 Status Change  
1C38 ER 3866 STREICH, KELLI 0247 8349  
FOLSOM BLVD

12-08-2012 14:53:44 SR11 258 EBO, NATASHA 6071 Special Service Request  
(RQ) GEN REQ: RQ,NEED 2 SECTOR 6 SWINGS UNITS TO  
START THIS WAY PER 2SM6

12-08-2012 14:54:03 SR11 258 EBO, NATASHA 6071 Status Change  
1C69 ER 3806 BYRON, RODERICK 0824 8349  
FOLSOM BLVD

12-08-2012 14:54:03 SR11 258 EBO, NATASHA 6071 Status Change  
1C63 ER 869 TEURN, LO 0403 8349 FOLSOM  
BLVD

12-08-2012 14:54:46 SR10 4035 ROBLES, JENNAFER 6042 ( ) Status Change  
MTR64 ER 3602 BELL, JOHN 7730 8349 FOLSOM  
BLVD

12-08-2012 14:57:42 1C69 3806 BYRON, RODERICK 0824 Status Change  
1C69 OS 3806 BYRON, RODERICK 0824

12-08-2012 14:57:42 SR10 4035 ROBLES, JENNAFER 6042 ( ) Call Remark  
RIFLE TEAM MEMBER NOT TAKE A TRAFFIC POSITION AND  
COME TO WEST OF THE 925 P/LOT OFF OF NOTRE DAME

12-08-2012 14:58:28 SR10 4035 ROBLES, JENNAFER 6042 ( ) Call Remark  
NEED 3 RIFLE TEAM MEMBERS

12-08-2012 14:59:39 SR10 4035 ROBLES, JENNAFER 6042 ( ) Status Change  
1C28 DP 3718 ELLIOTT, KELLEY 0394 8349  
FOLSOM BLVD

12-08-2012 14:59:57 1C28 3718 ELLIOTT, KELLEY 0394  
1C28 ER 3718 ELLIOTT, KELLEY 0394

SACRAMENTO POLICE DEPARTMENT  
COMPLAINT HARDCOPY

CP 2012 - 332558

Reported: Dec-08-2012 12:32:50

12-08-2012 15:00:44 1C35 3481 MCGOVERN, SHAUN 0892 Status Change  
1C35 OS 3481 MCGOVERN, SHAUN 0892

12-08-2012 15:01:50 SR10 4035 ROBLES, JENNAFER 6042 ( )  
MTR65 ER 3217 DUCKHAM, JEREMY 0676 ( )  
FROM: P3// TO P7//

12-08-2012 15:02:05 SR10 4035 ROBLES, JENNAFER 6042 ( )  
NEG13 ER 212 CURTIS, D 0814 FROM: P3// TO  
P7//

12-08-2012 15:03:00 SR11 258 EBO, NATASHA 6071 Status Change  
1C24 ER 3607 DAVIS, STEVEN J. 0234 8349  
FOLSOM BLVD

12-08-2012 15:03:34 1C38 3866 STREICH, KELLI 0247 Status Change  
1C38 OS 3866 STREICH, KELLI 0247

12-08-2012 15:05:43 1C28 3718 ELLIOTT, KELLEY 0394 Status Change  
1C28 OS 3718 ELLIOTT, KELLEY 0394

12-08-2012 15:06:51 SR11 258 EBO, NATASHA 6071 Status Change  
1C34 ER 3529 CABRERA, ROSALIA 0723 8349  
FOLSOM BLVD

12-08-2012 15:07:11 SR11 258 EBO, NATASHA 6071 Call Remark  
PER LN26 . DAYSHIFT IS RELEASED TO GO HOME WHEN  
THEY ARE RELIEVED BY SWING UNITS

12-08-2012 15:07:53 SR11 258 EBO, NATASHA 6071 Call Remark  
SWING UNITS TO RELIEVE DAYSHIFT UNITS ON THE  
OUTER PERIMETER/TRAFFIC AREA FIRST

12-08-2012 15:08:18 SR11 258 EBO, NATASHA 6071 Status Change  
MTR64 OS 3602 BELL, JOHN 7730

12-08-2012 15:09:33 SR11 258 EBO, NATASHA 6071 Status Change  
MTR65 OS 3217 DUCKHAM, JEREMY 0676 ( )

12-08-2012 15:11:47 1B34 1072 WEBB, BRIAN 0762 Call Remark  
SUBJECT ( ), ADV  
HER AND HER KIDS WERE INSIDE WHEN 211PC OCCURRED  
SHE DROVE TO COMMAND POST WE NEED MAKE SURE HER

12-08-2012 15:11:52 SR11 258 EBO, NATASHA 6071 Call Remark  
UNN1 PER SUBJ THAT WAS INSIDE.. THERE IS ONE SUSP  
AND ONE HOSTAGE

12-08-2012 15:12:02 1B34 1072 WEBB, BRIAN 0762 Call Remark  
STATEMENT AND KIDS STATEMENT WAS TAKEN

12-08-2012 15:12:20 1C63 869 TEURN, LO 0403 Status Change  
1C63 OS 869 TEURN, LO 0403

12-08-2012 15:13:19 1B34 1072 WEBB, BRIAN 0762 Call Remark  
1B34 HAD TRAFFIC CONTROL FOLSOM/ NOTRE DAME..1C35  
TOOK OVER, STILL NEED 1 UNIT TO RELIEVE SACTO

SACRAMENTO POLICE DEPARTMENT  
COMPLAINT HARDCOPY

CP 2012 - 332558

Reported: Dec-08-2012 12:32:50

STATE POLICE UNIT THERE

12-08-2012 15:14:37 SR10 4035 ROBLES, JENNAFER 6042 ( ) Status Change  
SCT72 IS 584 LOUL, MYRON 0745 PREEMPT

12-08-2012 15:14:38 SR10 4035 ROBLES, JENNAFER 6042 ( ) Status Change  
SCT73 IS 128 BURGER, GORDON 7746 ( )  
PREEMPT

12-08-2012 15:14:54 1B34 1072 WEBB, BRIAN 0762 External Query  
EXT Q PERS-NAME: G1: DOB:  
SEX:F RACE:W STATE:CA REC:Y EXTN:Y EXTE:Y  
EXTM:N EXTD:Y PKI:N TONC:Y UNIT:1B34

12-08-2012 15:14:54 1B34 1072 WEBB, BRIAN 0762 RMS Query  
RMS Q PERS-NAME: G1: DOB:  
SEX:F RACE:W STATE:CA REC:Y EXTN:Y EXTE:Y  
EXTM:N EXTD:Y PKI:N TONC:Y UNIT:1B34

12-08-2012 15:15:42 1B34 1072 WEBB, BRIAN 0762 Call Remark

12-08-2012 15:16:43 SR9 507 QUINTON, KINDRA 6093 Status Change  
IV133 ER 3115 HARRINGTON, JAMES 4060 8349  
FOLSOM BLVD

12-08-2012 15:17:24 1B65 3019 WILHITE, KURT 3019 Call Remark  
RESPONDED C3 FROM 14TH AVE/MLK UNTIL 906.....NO  
INCIDENTS AND ICC ON..... DEPLOYED RIFLE ONCE 906  
AND HELD 1/4 CORNER UNTIL RELIEVED BY SWAT.....

12-08-2012 15:18:05 SR10 4035 ROBLES, JENNAFER 6042 ( ) Call Remark  
3SM3 GOING TO CH1

12-08-2012 15:18:14 SR10 4035 ROBLES, JENNAFER 6042 ( )  
3SM3 OS 688 MORRIS, JEFFREY 3023 FROM:  
P3// TO P3/P7/ FOR VEH:11540 ID: 11540 SUPPRESS  
AVL: TO N

12-08-2012 15:21:24 1C24 3607 DAVIS, STEVEN J. 0234 Status Change  
1C24 OS 3607 DAVIS, STEVEN J. 0234

12-08-2012 15:22:07 1B67 699 MULLIGAN, PATRICK 7760 Call Remark  
C38 RELIEVING ME AND TAKING UP ICC RECORDING OF  
FRONT END

12-08-2012 15:23:47 SR10 4035 ROBLES, JENNAFER 6042 ( )  
1C28 OS 3718 ELLIOTT, KELLEY 0394  
UNAVAILABLE

12-08-2012 15:24:10 1B65 3019 WILHITE, KURT 3019  
1B65 OS 3019 WILHITE, KURT 3019

12-08-2012 15:25:14 1B34 1072 WEBB, BRIAN 0762 Call Remark  
WAS C3 FROM 15 / Q ST TO FOLSOM / NOTRE DAME WHEN

SACRAMENTO POLICE DEPARTMENT  
COMPLAINT HARDCOPY

CP 2012 - 332558

Reported: Dec-08-2012 12:32:50

**CALL CAME OUT NO INCIDENTS**

- 12-08-2012 15:25:22 CS1 248 SOUTHWARD, KAMERON 6159 Call Remark  
**NCU CALLOUT DONE PER LN26 \*\*\*\* SGT MONK ADV'D AND  
WILL NOTIFY HIS TEAM**
- 12-08-2012 15:26:00 1B67 699 MULLIGAN, PATRICK 7760 Call Remark  
**C3 RESPONSE FROM COMM CENTER..NO INCIDENTS..HELD  
PERIMETER 1/4 CORNERS OF 925..RECORDED ACTIVITY  
VIA ICC**
- 12-08-2012 15:27:07 1B67 699 MULLIGAN, PATRICK 7760 Status Change  
**1B67 ER 699 MULLIGAN, PATRICK 7760 300R**
- 12-08-2012 15:28:16 SR10 4035 ROBLES, JENNAFER 6042 ( [REDACTED] )  
**2SM1 OS 802 POROLI, MICHAEL 3103 ( [REDACTED] )  
FROM: P1/P2/ TO P7// SUPPRESS AVL: TO N**
- 12-08-2012 15:28:21 1B65 3019 WILHITE, KURT 3019 Status Change  
**1B65 ER 3019 WILHITE, KURT 3019 300  
RICHARDS**
- 12-08-2012 15:29:39 SR11 258 EBO, NATASHA 6071 Call Remark  
**UNN10 ALL UNITS BE PREPARED FOR ANY MOVEMENT**
- 12-08-2012 15:30:06 1C34 3529 CABRERA, ROSALIA 0723  
**1C34 OS 3529 CABRERA, ROSALIA 0723**
- 12-08-2012 15:32:43 1B44 3536 MCPHAIL, MATTHEW 3144 RMS Query  
**RMS Q PERS-NAME:XIONG G1:KHANG AGE:25 SEX:M  
RACE:A STATE:CA REC:Y EXTN:Y EXTE:Y EXTM:N  
EXTD:Y PKI:N TONC:Y UNIT:1B44**
- 12-08-2012 15:32:44 1B44 3536 MCPHAIL, MATTHEW 3144 External Query  
**EXT Q PERS-NAME:XIONG G1:KHANG AGE:25 SEX:M  
RACE:A STATE:CA REC:Y EXTN:Y EXTE:Y EXTM:N  
EXTD:Y PKI:N TONC:Y UNIT:1B44**
- 12-08-2012 15:36:55 SR11 258 EBO, NATASHA 6071 Call Remark  
**PER EMP THAT LEFT .. .BACK DOOR IS WIRED \*\*\*\*\***
- 12-08-2012 15:36:58 1B34 1072 WEBB, BRIAN 0762 Call Remark  
**CHECKED IN W COMMAND POST SGT PAROLI ADV OKAY GO  
908**
- 12-08-2012 15:37:34 SR11 258 EBO, NATASHA 6071 Call Remark  
**SUSP MAY BE CUTTING THE WIRES TO COME OUT ... UNK  
WHICH DOOR BUT POSSIBLY THE BACK DOOR**
- 12-08-2012 15:37:39 1B34 1072 WEBB, BRIAN 0762 Status Change  
**1B34 IS 1072 WEBB, BRIAN 0762**
- 12-08-2012 15:38:26 SR11 258 EBO, NATASHA 6071 Call Remark  
**1B37 \*\* MOVEMENT NEAR THE DRIVE THRU WINDOW \*\***
- 12-08-2012 15:38:42 SR11 258 EBO, NATASHA 6071 Call Remark  
**UNN33 ,\*\*\*\*FEM COMING OUT ... MALE BEHIND HER**

SACRAMENTO POLICE DEPARTMENT  
COMPLAINT HARDCOPY

CP 2012 - 332558

Reported: Dec-08-2012 12:32:50

\*\*\*\*\*

12-08-2012 15:38:55 SR11 258 EBO, NATASHA 6071 Call Remark  
**UNN33 NOT ABLE TO CLEARLY SEE THE SUSP**

12-08-2012 15:39:12 SR11 258 EBO, NATASHA 6071 Call Remark  
**SUSP HAS A GUN IN HIS HAND \*\*\*\*\***

12-08-2012 15:39:37 CS1 248 SOUTHWARD, KAMERON 6159 Status Change  
**UNN10 IS**

12-08-2012 15:39:52 SR11 258 EBO, NATASHA 6071 Call Remark  
**UNN1 APPEAR TO BE IN THE BATHROOM NOW .. MALE  
TOOK THE FEM W/HIM**

12-08-2012 15:39:56 CS1 248 SOUTHWARD, KAMERON 6159 Status Change  
**UNN10 OS 109 BROWN, GREG 3076 ( )  
8349 FOLSOM BLVD**

12-08-2012 15:40:12 SR11 258 EBO, NATASHA 6071 Call Remark  
**NO CLEAR SHOT .. FEM WAS IN CLOSE QUARTERS TO THE  
MALE .. SHOULD BE COMING OUT**

12-08-2012 15:40:37 SR11 258 EBO, NATASHA 6071 Call Remark  
**UNN33 NO CLEAR SHOT .. FEM WAS IN CLOSE QUARTERS  
TO THE MALE .. SHOULD BE COMING OUT OF THE  
BATHROOM ..**

12-08-2012 15:40:52 1B67 699 MULLIGAN, PATRICK 7760 Status Change  
**1B67 OS 699 MULLIGAN, PATRICK 7760**

12-08-2012 15:42:19 SR11 258 EBO, NATASHA 6071 Call Remark  
**UNN1 \*\*\* SUSP IS MA, LG HAIR, WEARING NO SHIRT \*\*\*\***

12-08-2012 15:44:10 SR11 258 EBO, NATASHA 6071 Call Remark  
**UNN1 SUSP IS PROTECTING SELF W/THE FEM**

12-08-2012 15:44:15 SR11 258 EBO, NATASHA 6071 Call Remark  
**UNN1 \*\* FEM IS COMING OUT \*\*\*\***

12-08-2012 15:44:22 SR11 258 EBO, NATASHA 6071 Call Remark  
**\*\*\* \*SUSP DOWN \*\*\*\*\***

12-08-2012 15:44:39 SR11 258 EBO, NATASHA 6071 Special Service Request  
**(FA) FIRE/AMB: FA, SD9, NEED THE AMBULANCE TO THE  
BEARCAT**

12-08-2012 15:44:45 SR11 258 EBO, NATASHA 6071 Call Remark  
**AMBULANCE ENRT \*\*\*\*\***

12-08-2012 15:45:04 SR11 258 EBO, NATASHA 6071 Call Remark  
**UNN22 SUSP IS DOWN.. TAKING HIM INTO CUSTODY  
\*\*\*\*\***

12-08-2012 15:45:13 SR11 258 EBO, NATASHA 6071 Call Remark  
**UNN1 HOSTAGE STATUS >>... FEM IS OKAY .. SUSP IS  
DOWN \*\*\*\*\***

SACRAMENTO POLICE DEPARTMENT  
COMPLAINT HARDCOPY

CP 2012 - 332558

Reported: Dec-08-2012 12:32:50

12-08-2012 15:45:19 CS1 248 SOUTHWARD, KAMERON 6159 Call Remark  
**FIRE ADV'D CLR TO ENTER ON THE HL**

12-08-2012 15:45:38 SD3 3902 SONG, WON J 6187 Status Change  
**IV170 ER 277 FAN, JOHN 0815 8349 FOLSOM  
BLVD**

12-08-2012 15:45:54 SR11 258 EBO, NATASHA 6071 Call Remark  
**UNN10 \*\* HOLD THE PERIMETER \*\*\*\*\* .. CLEARING THE  
INSIDE**

12-08-2012 15:46:00 SR11 258 EBO, NATASHA 6071 Call Remark  
**UNN1 AMB NEEDED ON THE 4/5 SIDE**

12-08-2012 15:46:50 1B65 3019 WILHITE, KURT 3019 Status Change  
**1B65 OS 3019 WILHITE, KURT 3019**

12-08-2012 15:46:59 1B65 3019 WILHITE, KURT 3019 Status Change  
**1B65 IS 3019 WILHITE, KURT 3019**

12-08-2012 15:47:01 SR11 258 EBO, NATASHA 6071 Call Remark  
**UNN1 \* SUSP IS 926 \***

12-08-2012 15:47:36 SR11 258 EBO, NATASHA 6071 Call Remark  
**UNN10 \*\*\* STABLE \*\*\*\***

12-08-2012 15:47:49 SR9 507 QUINTON, KINDRA 6093  
**IV170 ER 277 FAN, JOHN 0815 FROM: P3/P6/  
TO P7//**

12-08-2012 15:47:54 SD6 831 SWAFFORD, JENA R 6434 Call Remark  
**DID NOT CB FIRE AS NOTIFICATION TO ENTER WAS MADE  
ON HL**

12-08-2012 15:48:19 SR11 258 EBO, NATASHA 6071 Call Remark  
**UNN10 \*\* SSD INSIDE**

12-08-2012 15:49:21 SR11 258 EBO, NATASHA 6071 Call Remark  
**UNN10 \*\*\* SUSP STILL HAS SOME CHEST MOVEMENT \*\*\*\*\***

12-08-2012 15:49:39 CS1 248 SOUTHWARD, KAMERON 6159 Call Remark  
**MANAGEMENT PAGE DONE .. OIS CALL OUT STARTED PER  
LN10/LN26 \*\*\***

12-08-2012 15:49:40 SR11 258 EBO, NATASHA 6071 Call Remark  
**UNN10 WILL NEED PATROL UNITS TO ACCOMPANY THE  
SUSP IF HE GETS TRANSPORTED**

12-08-2012 15:49:51 SR11 258 EBO, NATASHA 6071 Call Remark  
**K98 \*\* MEDIC 8 \*\*\***

12-08-2012 15:50:13 SR11 258 EBO, NATASHA 6071 Call Remark  
**2SM3 SENDING PATROL OVER TO THE AMB FOR THE SUSP**

12-08-2012 15:51:38 SR11 258 EBO, NATASHA 6071 Call Remark  
**UNN10 AMB GETTING READY TO TRANSPORT THE SUSP -**

SACRAMENTO POLICE DEPARTMENT  
COMPLAINT HARDCOPY

CP 2012 - 332558

Reported: Dec-08-2012 12:32:50

**PATROL UNIT WILL HAVE TO GO W/THEM**

12-08-2012 15:52:20 SR11 258 EBO, NATASHA 6071 Status Change  
**AIR1 IS 447 HUTCHINS, MICHAEL 4101**

12-08-2012 15:52:20 SR11 258 EBO, NATASHA 6071 Status Change  
**AIR1 IS 3599 SMART, DAVID 0884 ( )**

12-08-2012 15:52:41 SR11 258 EBO, NATASHA 6071 Call Remark  
**UNN10 LOADING UP THE SUSP NOW**

12-08-2012 15:52:55 SR11 258 EBO, NATASHA 6071 Call Remark  
**UNN10 1C69 WILL BE GOING W/THE SUSP ... SUSP  
GOING TO THE MED CENTER\*\*\*\*\***

12-08-2012 15:53:21 1B63 4027 SMITH, JOSHUA C 0650 RMS Query  
**RMS O PERS-NAME: ( ) G1: ( )  
DOB: ( ) SEX:M RACE:B STATE:CA REC:Y  
EXTN:Y EXTE:Y EXTM:N EXTD:Y PKI:N TONC:Y  
UNIT:1B63**

12-08-2012 15:53:21 1B63 4027 SMITH, JOSHUA C 0650 External Query  
**EXT O PERS-NAME: ( ) G1: ( )  
DOB: ( ) SEX:M RACE:B STATE:CA REC:Y  
EXTN:Y EXTE:Y EXTM:N EXTD:Y PKI:N TONC:Y  
UNIT:1B63**

12-08-2012 15:54:51 CS1 248 SOUTHWARD, KAMERON 6159 Call Remark  
**LT RISLEY FROM IA COPIED**

12-08-2012 15:55:14 CS1 248 SOUTHWARD, KAMERON 6159 Status Change  
**STF10 ER 847 RISLEY, JUSTIN 5002 8349  
FOLSOM BLVD**

12-08-2012 15:55:44 SR11 258 EBO, NATASHA 6071 Call Remark  
**UNN10 HOLDING THE CRIME SCENE ... WILL GET PATROL  
OUT HERE**

12-08-2012 15:56:18 CS1 248 SOUTHWARD, KAMERON 6159 Status Change  
**STF21 ER 1039 VASSALLO, ADAM 3047 8349  
FOLSOM BLVD**

12-08-2012 15:56:59 SR11 258 EBO, NATASHA 6071 Call Remark  
**1B44 FOLLOWING AMB TO HOSPITAL \*\*\***

12-08-2012 15:58:18 SR11 258 EBO, NATASHA 6071 Call Remark  
**UNN11 NEED AVL PATROL UNIT TO THE NUMBER 4 SIDE  
DOOR TO SECURE IT .. 2SM6 WILL HANDLE**

12-08-2012 15:58:42 CS3 286 HAZEL, S 6192 ( ) Status Change  
**IV27 ER 268 ENRIQUEZ, F 3020 ( )  
8349 FOLSOM BLVD**

12-08-2012 15:59:23 CS3 286 HAZEL, S 6192 ( ) Status Change  
**IV90 ER 412 HIGGINS, THOMAS 7616 8349  
FOLSOM BLVD**

SACRAMENTO POLICE DEPARTMENT  
COMPLAINT HARDCOPY

CP 2012 - 332558

Reported: Dec-08-2012 12:32:50

12-08-2012 16:01:04 1B44 3536 MCPHAIL, MATTHEW 3144  
1B44 OS 3536 MCPHAIL, MATTHEW 3144 UCD W/  
SUSP

12-08-2012 16:01:15 SR11 258 EBO, NATASHA 6071 Call Remark  
NEED A FREE PATROL VEH TO RESPOND TO THE CP

12-08-2012 16:01:37 CS3 286 HAZEL, S 6192 ( ) Call Remark  
CHAPLAIN ANSWERING SVC NOTIFIED....

12-08-2012 16:01:37 SR11 258 EBO, NATASHA 6071  
1C69 OS 3806 BYRON, RODERICK 0824

12-08-2012 16:01:43 SR11 258 EBO, NATASHA 6071  
1C69 OS 3806 BYRON, RODERICK 0824 MED  
CENTER

12-08-2012 16:02:22 SR11 258 EBO, NATASHA 6071 Call Remark  
1C69 OS UCD MED CENTER.. SUSP STILL NOT BREATHING  
ON HIS OWN

12-08-2012 16:03:22 SR11 258 EBO, NATASHA 6071 Call Remark  
3SM3 NEED ONE SWING SHIFT UNIT TO 940 AT THE  
NORTH SIDE OF THE JACK IN THE BOX

12-08-2012 16:03:48 SR11 258 EBO, NATASHA 6071 Call Remark  
UNN1 TO LN26.. NO NEED TO EXPAND PERIMETER

12-08-2012 16:03:49 CS3 286 HAZEL, S 6192 ( ) Call Remark  
SGT FEENSTRA/PEER SUPPORT IS ENRT

12-08-2012 16:04:26 SR11 258 EBO, NATASHA 6071 Call Remark  
LN26 FOLSOM BLVD SHUT DOWN BOTH DIRECTIONS  
INDEFINITELY FOR NOW ...

12-08-2012 16:04:40 1B29 3090 MARKS, DARREN 0236 ( )  
1B29 OS 3090 MARKS, DARREN 0236 ( )

12-08-2012 16:05:04 SR11 258 EBO, NATASHA 6071 Call Remark  
MTR64 PER LN26 ..KEEP NB JULLIARD SHUT DOWN TO  
KEEP TRAFFIC FROM COMING INTO THE PARKING LOT

12-08-2012 16:05:48 1B67 699 MULLIGAN, PATRICK 7760 RMS Query  
RMS O PERS-NAME: G1: YOB:36  
DOB: SEX:M STATE:CA REC:Y EXIN:Y  
EXTD:Y PKEN TONC:Y UNIT:1B67

12-08-2012 16:05:48 1B67 699 MULLIGAN, PATRICK 7760 External Query  
EXT O PERS-NAME: G1: YOB:36  
DOB: SEX:M STATE:CA REC:Y EXIN:Y  
EXTD:Y PKEN TONC:Y UNIT:1B67

12-08-2012 16:05:52 1B67 699 MULLIGAN, PATRICK 7760 RMS Query  
RMS Q LOC-LOC: STATE:CA MUN:1  
REC:Y CAD:Y PKEN

12-08-2012 16:09:09 CS3 286 HAZEL, S 6192 ( ) Call Remark



SACRAMENTO POLICE DEPARTMENT  
COMPLAINT HARDCOPY

CP 2012 - 332558

Reported: Dec-08-2012 12:32:50

**MSG LEFT FOR DAN DRISCOLL,CITY SAFETY OFCR**

- 12-08-2012 16:09:19 SR11 258 EBO, NATASHA 6071 Special Service Request  
**(FA) FIRE/AMB: FA,SD9,1C34.. NEED MEDICS C2 TO  
THE CP AT THE REAR OF RALEYS ON THE N/E CORNER**
- 12-08-2012 16:11:24 SD6 831 SWAFFORD, JENA R 6434 Call Remark  
**FIRE ADV'D TO START ADDL MEDIC TO THE CP \*\*\***
- 12-08-2012 16:11:45 2SM1 802 POROLI, MICHAEL 3103 ( ) Status Change  
**2SM1 IS 802 POROLI, MICHAEL 3103 ( )**
- 12-08-2012 16:12:44 CS1 248 SOUTHWARD, KAMERON 6159 Status Change  
**IV90 IS 412 HIGGINS, THOMAS 7616**
- 12-08-2012 16:12:55 1B67 699 MULLIGAN, PATRICK 7760 RMS Query  
**RMS O PERS-NAME: G1:  
G2: SEX:F STATE:CA REC:Y EXTN:Y EXTD:Y  
PKEN TONC:Y UNIT:1B67**
- 12-08-2012 16:12:55 1B67 699 MULLIGAN, PATRICK 7760 External Query  
**EXT O PERS-NAME: G1:  
G2: SEX:F STATE:CA REC:Y EXTN:Y EXTD:Y  
PKEN TONC:Y UNIT:1B67**
- 12-08-2012 16:13:32 SR12 3508 YONEMURA, JENNIFER 6023 Call Remark  
**CAN WE ADV FURTHER WHAT FIRE IS NEEDED FOR?  
THEY'RE WANTING TO KNOW WHAT CODE THEY SHOULD GO**
- 12-08-2012 16:13:39 SR12 3508 YONEMURA, JENNIFER 6023 Call Remark  
**THEY ALSO WANT TO KNOW WHERE THE CP IS**
- 12-08-2012 16:13:47 SR11 258 EBO, NATASHA 6071 Call Remark  
**2SM3 WILL NEED AT LEAST 3 MORE SWING SHIFT UNITS  
TO COME OUT .. AT LEAST 10 MORE STATEMENTS TO TAKE**
- 12-08-2012 16:13:58 SR11 258 EBO, NATASHA 6071 Special Service Request  
**(RQ) GEN REQ: RQ,WILL NEED 3 SWINGSHIFT UNITS TO  
HEAD THIS WAY**
- 12-08-2012 16:14:21 SR11 258 EBO, NATASHA 6071 Special Service Request  
**(RQ) GEN REQ: RQ,WILL NEED 3 SWINGSHIFT UNITS TO  
HEAD THIS WAY**
- 12-08-2012 16:14:56 SR10 4035 ROBLES, JENNAFER 6042 ( ) Status Change  
**PS5 IS PSO1 CONROY, ROBERT PSO1 ( )**
- 12-08-2012 16:15:04 CS1 248 SOUTHWARD, KAMERON 6159 Call Remark  
**\*\*\*\*\* OFFICER INV'D SHOOTING PROTOCOL COMPLETED**
- 12-08-2012 16:15:23 1B31 3678 STRAUTMAN, TIMOTHY 0397 Status Change  
**1B31 IS 3678 STRAUTMAN, TIMOTHY 0397**
- 12-08-2012 16:15:38 CS1 248 SOUTHWARD, KAMERON 6159 Status Change  
**IV24 ER 2989 MONK, DANIEL 5025 8349  
FOLSOM BLVD**

SACRAMENTO POLICE DEPARTMENT  
COMPLAINT HARDCOPY

CP 2012 - 332558

Reported: Dec-08-2012 12:32:50

12-08-2012 16:15:57 SR11 258 EBO, NATASHA 6071 Status Change  
2C65 ER 3870 WISEMAN, DANIEL 0346 8349  
FOLSOM BLVD

12-08-2012 16:15:57 SR11 258 EBO, NATASHA 6071 Status Change  
2C65 ER 3859 LOPEZ, SAMUEL 0571 8349  
FOLSOM BLVD

12-08-2012 16:15:57 SR11 258 EBO, NATASHA 6071 Status Change  
1C68 ER 3301 VASQUEZ, ALEX 0869 8349  
FOLSOM BLVD

12-08-2012 16:16:36 SR11 258 EBO, NATASHA 6071 Status Change  
2C67 ER 3841 GATES, CURTIS 0257 8349  
FOLSOM BLVD

12-08-2012 16:16:36 SR11 258 EBO, NATASHA 6071 Status Change  
2C67 ER 3937 BRIGGS, SABRINA 3025 8349  
FOLSOM BLVD

12-08-2012 16:17:33 SR11 258 EBO, NATASHA 6071 Status Change  
IV133 IS 3115 HARRINGTON, JAMES 4060

12-08-2012 16:18:09 CS1 248 SOUTHWARD, KAMERON 6159 Status Change  
COM31 IS 3965 LEY, AMANDA 6164

12-08-2012 16:18:40 SR12 3508 YONEMURA, JENNIFER 6023 Call Remark  
OFFICER WALLACE ER

12-08-2012 16:24:12 BEAT4 3077 MARQUEZ, GUILLERMO 0847 Status Change  
BEAT4 IS 3077 MARQUEZ, GUILLERMO 0847

12-08-2012 16:24:12 BEAT4 3077 MARQUEZ, GUILLERMO 0847  
BEAT4 IS 3077 MARQUEZ, GUILLERMO 0847  
UPDATED CASE SA332558 FOUNDED-Y REPORT-N CLEARED  
BY-A FINAL-211P BOLO-N STUDY FLAG- TRAFFIC  
CONTROL ONLY. RELIEVED BY MOTOR UNITS.

12-08-2012 16:24:12 BEAT4 3077 MARQUEZ, GUILLERMO 0847 Call Update  
Prime Unit changed: PRIME FOR SA12-332558 TO BEAT4

12-08-2012 16:25:24 BEAT3 1118 YEPES, JOSE 0547 Status Change  
BEAT3 IS 1118 YEPES, JOSE 0547

12-08-2012 16:25:35 SR10 4035 ROBLES, JENNAFER 6042 ( )  
1C28 OS 3718 ELLIOTT, KELLEY 0394 FROM:  
2C/P2/ TO P7// SUPPRESS AVL: TO N

12-08-2012 16:26:29 2C65 3859 LOPEZ, SAMUEL 0571 Status Change  
2C65 OS 3859 LOPEZ, SAMUEL 0571

12-08-2012 16:26:29 2C65 3859 LOPEZ, SAMUEL 0571 Status Change  
2C65 OS 3870 WISEMAN, DANIEL 0346

12-08-2012 16:26:45 SR11 258 EBO, NATASHA 6071 Special Service Request  
(HS) HOTSEAT: HS,SD9,TOW TRUCK,UNN16 ... BLK  
CROWN VICTORIA NEEDS A JUMP .. VEH: 11053 ...

SACRAMENTO POLICE DEPARTMENT  
COMPLAINT HARDCOPY

CP 2012 - 332558

Reported: Dec-08-2012 12:32:50

PLT: 1300890

12-08-2012 16:27:12 SR11 258 EBO, NATASHA 6071 Special Service Request  
**(HS) HOTSEAT: HS,SD9,TOW TRUCK,UNN16 ...UPDATE**  
**\*\*\* VEH IS PARKED I/F OF RALEYS \*\*\*\*\***

12-08-2012 16:27:42 2C67 3841 GATES, CURTIS 0257 Status Change  
**2C67 OS 3841 GATES, CURTIS 0257**

12-08-2012 16:27:42 2C67 3841 GATES, CURTIS 0257 Status Change  
**2C67 OS 3937 BRIGGS, SABRINA 3025**

12-08-2012 16:27:58 SR11 258 EBO, NATASHA 6071 Special Service Request  
**(RQ) GEN REQ: RQ,NEED ONE UNIT FOR TRANSPORT..**  
**HAVE THEM RESPOND TO THE COMMAND POST**

12-08-2012 16:28:16 SR11 258 EBO, NATASHA 6071 Status Change  
**2C62 ER 3864 HUGHES, LEVIN 0281 8349**  
**FOLSOM BLVD**

12-08-2012 16:28:16 SR11 258 EBO, NATASHA 6071 Status Change  
**2C62 ER 3862 MOK, CARLYLE 0615 8349**  
**FOLSOM BLVD**

12-08-2012 16:28:32 SR12 3578 DUGGINS, MICHELE 6062 Call Remark  
**ARNOLDS TOW ENRT FOR UNN16 VEH 11053**

12-08-2012 16:29:05 1B39 4046 LEMOINE, ALEX 0225  
**1B39 OS 4046 LEMOINE, ALEX 0225**

12-08-2012 16:29:26 SR11 258 EBO, NATASHA 6071 Call Remark  
**PER LN26.. NEG ON UNDEDICATING THE CHANNEL \* \*\*\*\*\***

12-08-2012 16:29:36 CS1 248 SOUTHWARD, KAMERON 6159 Status Change  
**NEG13 IS 212 CURTIS, D 0814**

12-08-2012 16:30:23 SR9 3833 WOOD, SARAH 6000 Special Service Request  
**(RQ) GEN REQ: RQ,SR11,PER 3SM2,UNIT ON SCENE CAN**  
**ASSIST W/XPORT**

12-08-2012 16:31:45 SR4 3508 YONEMURA, JENNIFER 6023  
**2C62 ER 3864 HUGHES, LEVIN 0281 ADDED**  
**STACK TO SA12-332722**

12-08-2012 16:31:52 SD12 3751 LIGHT, NICOLE 6051 Call Remark  
**NEG31 CALLED IN THEY ARE 909 AND EOW**

12-08-2012 16:32:28 SR11 3578 DUGGINS, MICHELE 6062 Call Remark  
**1B29 @ [REDACTED]**

12-08-2012 16:32:56 SR11 3578 DUGGINS, MICHELE 6062 Call Remark  
**1B29 @ [REDACTED]**

12-08-2012 16:33:08 1B37 3370 MANTELL, CHARLES 3109 Call Remark  
**C3 FROM 16TH/W TO SCENE-RIFLE DEPLOYED 2/3 CORNER**  
**COVERING 2 SIDE REMAINED UNTIL SWAT RESOLVED**  
**INCIDENT**

SACRAMENTO POLICE DEPARTMENT  
COMPLAINT HARDCOPY

CP 2012 - 332558

Reported: Dec-08-2012 12:32:50

12-08-2012 16:34:10 SR11 3578 DUGGINS, MICHELE 6062 Call Remark  
**MTR65 CHAPLAIN ENRT TO CP**

12-08-2012 16:34:43 CS1 248 SOUTHWARD, KAMERON 6159 Status Change  
**NEG34 IS 440 HUGHES, C 0718**

12-08-2012 16:35:19 SR11 3578 DUGGINS, MICHELE 6062 Call Remark  
**1B29 @ [REDACTED]**

12-08-2012 16:37:35 SR11 3578 DUGGINS, MICHELE 6062 Call Remark  
**1B29 @ [REDACTED]**

12-08-2012 16:38:15 SR11 3578 DUGGINS, MICHELE 6062 Call Remark  
**ANY UNITS TO CUT OBERSVBATIONS AND CUT FOR  
HOMICIDE DET**

12-08-2012 16:38:30 SR11 3578 DUGGINS, MICHELE 6062 Status Change  
**NEG14 IS 174 CHESTERMAN, RONALD R 7793**

12-08-2012 16:38:56 2C62 3864 HUGHES, LEVIN 0281 Status Change  
**2C62 OS 3862 MOK, CARLYLE 0615**

12-08-2012 16:38:56 2C62 3864 HUGHES, LEVIN 0281 Status Change  
**2C62 OS 3864 HUGHES, LEVIN 0281**

12-08-2012 16:39:03 1B69 528 LAFLAMME, KEITH 0410 ([REDACTED]) Status Change  
**1B69 ER 528 LAFLAMME, KEITH 0410 [REDACTED]  
300 RICHARDS, 2X-46.9**

12-08-2012 16:39:32 1C34 3529 CABRERA, ROSALIA 0723  
**1C34 ER 3529 CABRERA, ROSALIA 0723 300  
RICHARDS BLVD W/3 SM 0.0**

12-08-2012 16:40:26 RBT86 3499 LEY, FRANK 0567 Status Change  
**RBT86 IS 3499 LEY, FRANK 0567**

12-08-2012 16:41:32 CS1 248 SOUTHWARD, KAMERON 6159 Status Change  
**IV48 IS 3206 KENSIC, KELLY 0742 [REDACTED]**

12-08-2012 16:45:24 SR9 3578 DUGGINS, MICHELE 6062  
**2C62 OS 3864 HUGHES, LEVIN 0281 CONTROL  
FOR UNIT CLEARED**

12-08-2012 16:45:24 SR9 3578 DUGGINS, MICHELE 6062  
**2C62 OS 3862 MOK, CARLYLE 0615 CONTROL  
FOR UNIT CLEARED**

12-08-2012 16:45:32 SR9 3578 DUGGINS, MICHELE 6062  
**2C62 OS 3862 MOK, CARLYLE 0615 FROM: P7//  
TO P6//**

12-08-2012 16:45:32 SR9 3578 DUGGINS, MICHELE 6062  
**2C62 OS 3864 HUGHES, LEVIN 0281 FROM:  
P7// TO P6//**

12-08-2012 16:46:04 SD14 3566 TAYLOR, RICHARD 6040 Status Change

SACRAMENTO POLICE DEPARTMENT  
COMPLAINT HARDCOPY

CP 2012 - 332558

Reported: Dec-08-2012 12:32:50

**IV62 ER 3178 RICHARDSON, S 0621 ( )**  
**8349 FOLSOM BLVD**

12-08-2012 16:46:33 SR11 258 EBO, NATASHA 6071 Status Change  
**AIR21 IS CHP21 CHP Fixed Wing Plane**

12-08-2012 16:48:14 CS1 248 SOUTHWARD, KAMERON 6159 Status Change  
**COM10 IS 3848 WARD, STACY 6069**

12-08-2012 16:48:55 SR9 3578 DUGGINS, MICHELE 6062  
**IV62 ER 3178 RICHARDSON, S 0621 ( )**  
**FROM: P3// TO P7//**

12-08-2012 16:49:23 1B28 3666 HAWLEY, AMBER 0216 ( ) Status Change  
**1B28 ER 3666 HAWLEY, AMBER 0216 ( )**  
**300R/BM (W/2-FEM): 0.0**

12-08-2012 16:52:37 CS1 248 SOUTHWARD, KAMERON 6159 Status Change  
**IV27 OS 268 ENRIQUEZ, F 3020 ( )**

12-08-2012 16:53:04 CS3 343 GOMEZ, PRICILLA 6161 ( ) Status Change  
**IV4 OS 261 EKLUND, JUSTIN 5035 8349**  
**FOLSOM BLVD**

12-08-2012 16:53:31 1B69 528 LAFLAMME, KEITH 0410 ( ) Status Change  
**1B69 OS 528 LAFLAMME, KEITH 0410 ( )**  
**300 RICHARDS, TRC, 56.1**

12-08-2012 16:54:57 2C62 3864 HUGHES, LEVIN 0281 Status Change  
**2C62 IS 3864 HUGHES, LEVIN 0281**

12-08-2012 16:54:57 2C62 3864 HUGHES, LEVIN 0281 Status Change  
**2C62 IS 3862 MOK, CARLYLE 0615**

12-08-2012 16:55:32 1B18 3128 DUCKHAM, NATALIE 0830 Status Change  
**1B18 IS 3128 DUCKHAM, NATALIE 0830**

12-08-2012 16:55:44 SR11 258 EBO, NATASHA 6071 Status Change  
**IV10 OS 285 STIGERTS, MARNIE J 4110 8349**  
**FOLSOM BLVD**

12-08-2012 16:58:01 SR11 258 EBO, NATASHA 6071 Status Change  
**IV170 OS 277 FAN, JOHN 0815**

12-08-2012 17:00:10 SR11 258 EBO, NATASHA 6071 Call Remark  
**LN26 PERMISSION TO UNDEDICATE GIVEN**  
**\*\*\*\*\***

12-08-2012 17:00:17 1B39 4046 LEMOINE, ALEX 0225 Status Change  
**1B39 IS 4046 LEMOINE, ALEX 0225**

12-08-2012 17:00:34 1B28 3666 HAWLEY, AMBER 0216 ( ) Status Change  
**1B28 OS 3666 HAWLEY, AMBER 0216 ( ) EM:**  
**9.2**

12-08-2012 17:00:44 SD12 3751 LIGHT, NICOLE 6051 Call Remark  
**OFFICER DEDONDER CALLED IN ASKING FOR A LIGHT**

SACRAMENTO POLICE DEPARTMENT  
COMPLAINT HARDCOPY

CP 2012 - 332558

Reported: Dec-08-2012 12:32:50

**TRUCK TO ASSIST FROM FIRE...CALLING FIRE NOW**

12-08-2012 17:00:48 1C34 3529 CABRERA, ROSALIA 0723  
**1C34 OS 3529 CABRERA, ROSALIA 0723**  
**CENTRAL EM 9.6**

12-08-2012 17:01:25 SD12 3751 LIGHT, NICOLE 6051 Call Remark  
**FIRE ADV'D THAT THEY WOULD BE SENDING A LIGHT**  
**TRUCK TO THIS LOCATION FOR PD**

12-08-2012 17:04:54 CS1 248 SOUTHWARD, KAMERON 6159 Status Change  
**LN3 IS 966 SWEENEY, THOMAS 4079 ( )**

12-08-2012 17:05:28 1B29 3090 MARKS, DARREN 0236 ( ) External Query  
**EXT Q VEH-LIC: ( ) STATE: ( ) TYPE:PC YR:2012**  
**VINFO:4 REC:Y EXIN:Y EXTE:Y EXTP:Y PKI:N**  
**TONC:Y UNIT:1B29**

12-08-2012 17:05:28 1B29 3090 MARKS, DARREN 0236 ( ) RMS Query  
**RMS Q VEH-LIC: ( ) STATE: ( ) TYPE:PC YR:2012**  
**VINFO:4 REC:Y EXIN:Y EXTE:Y EXTP:Y PKI:N**  
**TONC:Y UNIT:1B29**

12-08-2012 17:06:25 SR9 3833 WOOD, SARAH 6000 Call Remark  
**1C35 906 FOR A JUMP**

12-08-2012 17:09:25 SR10 3959 JOY, KELLY 6149  
**1B28 OS 3666 HAWLEY, AMBER 0216 ( )**  
**FROM: P7// TO 2C/P2/**

12-08-2012 17:09:26 1B29 3090 MARKS, DARREN 0236 ( ) External Query  
**EXT Q VEH-LIC: ( ) STATE: ( ) TYPE:PC YR:2012**  
**VINFO:4 REC:Y EXIN:Y EXTE:Y EXTP:Y PKI:N**  
**TONC:Y UNIT:1B29**

12-08-2012 17:09:26 1B29 3090 MARKS, DARREN 0236 ( ) RMS Query  
**RMS Q VEH-LIC: ( ) STATE: ( ) TYPE:PC YR:2012**  
**VINFO:4 REC:Y EXIN:Y EXTE:Y EXTP:Y PKI:N**  
**TONC:Y UNIT:1B29**

12-08-2012 17:09:36 SR10 3959 JOY, KELLY 6149  
**1B29 OS 3090 MARKS, DARREN 0236 ( )**  
**FROM: P7// TO 2C/P2/**

12-08-2012 17:09:38 1B29 3090 MARKS, DARREN 0236 ( ) External Query  
**EXT Q VEH-LIC: ( ) STATE: ( ) TYPE:PC YR:2012**  
**VINFO:4 REC:Y EXIN:Y EXTE:Y EXTP:Y PKI:N**  
**TONC:Y UNIT:1B29**

12-08-2012 17:09:38 1B29 3090 MARKS, DARREN 0236 ( ) RMS Query  
**RMS Q VEH-LIC: ( ) STATE: ( ) TYPE:PC YR:2012**  
**VINFO:4 REC:Y EXIN:Y EXTE:Y EXTP:Y PKI:N**  
**TONC:Y UNIT:1B29**

12-08-2012 17:09:40 SR10 3959 JOY, KELLY 6149  
**1B29 OS 3090 MARKS, DARREN 0236 ( )**  
**CONTROL FOR UNIT CLEARED**

SACRAMENTO POLICE DEPARTMENT  
COMPLAINT HARDCOPY

CP 2012 - 332558

Reported: Dec-08-2012 12:32:50

12-08-2012 17:09:48 SD8 3563 LOUIE, LEAH R012 (-) Call Remark  
PLS SHOW IV62 906

12-08-2012 17:09:51 SR10 3959 JOY, KELLY 6149  
1B32 OS 4013 KNOBLOCK, NICHOLAS 0239  
FROM: P7// TO 3A/P3/

12-08-2012 17:09:53 SR10 3959 JOY, KELLY 6149  
1B32 OS 4013 KNOBLOCK, NICHOLAS 0239  
CONTROL FOR UNIT CLEARED

12-08-2012 17:09:55 SR11 3032 FORD, MICHAEL R046  
IV62 OS 3178 RICHARDSON, S 0621

12-08-2012 17:10:06 SR10 3959 JOY, KELLY 6149  
3SM3 OS 688 MORRIS, JEFFREY 3023 FROM:  
P3/P7/ TO P3//

12-08-2012 17:10:19 SR10 3959 JOY, KELLY 6149  
1B35 OS 1026 BAKER, DEE 7754 FROM: P7//  
TO 3B/P3/

12-08-2012 17:10:30 SR10 3959 JOY, KELLY 6149  
1B37 OS 3370 MANTELL, CHARLES 3109 FROM:  
P7// TO 3C/P3/

12-08-2012 17:10:44 SR10 3959 JOY, KELLY 6149  
1B37 OS 3370 MANTELL, CHARLES 3109  
CONTROL FOR UNIT CLEARED

12-08-2012 17:10:44 SR10 3959 JOY, KELLY 6149  
1B35 OS 1026 BAKER, DEE 7754 CONTROL FOR  
UNIT CLEARED

12-08-2012 17:10:57 SR10 3959 JOY, KELLY 6149  
1B44 OS 3536 MCPHAIL, MATTHEW 3144 FROM:  
P7// TO 4B/P4/

12-08-2012 17:10:59 SR11 3032 FORD, MICHAEL R046 Status Change  
IV145 OS 510 KIRTLAN, JASON 3004 8349  
FOLSOM BLVD

12-08-2012 17:11:06 SR10 3959 JOY, KELLY 6149  
1B63 OS 4027 SMITH, JOSHUA C 0650 FROM:  
P7// TO 6A/P6/

12-08-2012 17:11:13 SR10 3959 JOY, KELLY 6149  
1B64 OS 107 BROWN, EDWARD P 7714 FROM:  
P7// TO 6B/P6/

12-08-2012 17:11:24 SR10 3959 JOY, KELLY 6149  
1B67 OS 699 MULLIGAN, PATRICK 7760 FROM:  
P7// TO 6C/P6/

12-08-2012 17:11:33 SR10 3959 JOY, KELLY 6149  
1B69 OS 528 LAFLAMME, KEITH 0410

SACRAMENTO POLICE DEPARTMENT  
COMPLAINT HARDCOPY

CP 2012 - 332558

Reported: Dec-08-2012 12:32:50

FROM: P7// TO 6C/P6/

12-08-2012 17:11:37 1B29 3090 MARKS, DARREN 0236 ( ) RMS Query  
RMS Q VEH-LIC: STATE: TYPE:PC YR:2012  
VINFO:4 REC:Y EXIN:Y EXTE:Y EXTP:Y PKI:N  
TONC:Y UNIT:1B29

12-08-2012 17:11:37 1B29 3090 MARKS, DARREN 0236 ( ) External Query  
EXT Q VEH-LIC: STATE: TYPE:PC YR:2012  
VINFO:4 REC:Y EXIN:Y EXTE:Y EXTP:Y PKI:N  
TONC:Y UNIT:1B29

12-08-2012 17:11:43 SR10 3959 JOY, KELLY 6149  
1C24 OS 3607 DAVIS, STEVEN J. 0234 FROM:  
P7// TO 2B/P2/

12-08-2012 17:11:54 SR10 3959 JOY, KELLY 6149  
1C28 OS 3718 ELLIOTT, KELLEY 0394 FROM:  
P7// TO 2C/P2/

12-08-2012 17:12:03 SR10 3959 JOY, KELLY 6149  
1C34 OS 3529 CABRERA, ROSALIA 0723 FROM:  
P7// TO 3B/P3/

12-08-2012 17:12:08 SR10 3959 JOY, KELLY 6149  
1C35 OS 3481 MCGOVERN, SHAUN 0892 FROM:  
P7// TO 3B/P3/

12-08-2012 17:13:40 SR11 3032 FORD, MICHAEL R046 Status Change  
IV146 OS 130 BURKE, DANIEL 0474 ( ) -  
8349 FOLSOM BLVD

12-08-2012 17:13:49 SR10 3959 JOY, KELLY 6149  
1C63 OS 869 TEURN, LO 0403 FROM: P7// TO  
6A/P6/

12-08-2012 17:14:16 SR11 3032 FORD, MICHAEL R046 Status Change  
IV140 OS 31 AYERS, SHAWN E 3002 8349  
FOLSOM BLVD

12-08-2012 17:14:48 SR10 3959 JOY, KELLY 6149  
1C68 ER 3301 VASQUEZ, ALEX 0869 FROM:  
P7// TO 6C/P6/

12-08-2012 17:14:57 SR10 3959 JOY, KELLY 6149  
1C69 OS 3806 BYRON, RODERICK 0824 FROM:  
P7// TO 6C/P6/

12-08-2012 17:15:03 SR10 3959 JOY, KELLY 6149  
2C65 OS 3859 LOPEZ, SAMUEL 0571 FROM:  
P7// TO 6B/P6/

12-08-2012 17:15:03 SR10 3959 JOY, KELLY 6149  
2C65 OS 3870 WISEMAN, DANIEL 0346 FROM:  
P7// TO 6B/P6/

12-08-2012 17:15:17 SR10 3959 JOY, KELLY 6149



SACRAMENTO POLICE DEPARTMENT  
COMPLAINT HARDCOPY

CP 2012 - 332558

Reported: Dec-08-2012 12:32:50

2SM3 OS 580 LOMMORI, MICHAEL 7719 FROM:  
P7// TO P3//

12-08-2012 17:15:23 SR10 3959 JOY, KELLY 6149  
2SM6 OS 303 FREEMAN, PAUL 7767 FROM: P7//  
TO P6//

12-08-2012 17:15:40 SR11 3032 FORD, MICHAEL R046 Status Change  
COM1 IS 1096 MCDANIEL, LATONYA J 6183

12-08-2012 17:15:50 SR10 3959 JOY, KELLY 6149  
1C38 OS 3866 STREICH, KELLI 0247 FROM:  
P7// TO 3C/P3/

12-08-2012 17:16:06 LN10 218 DAVIS, DONALD 7602 ( [REDACTED] )  
LN10 OS 218 DAVIS, DONALD 7602 ( [REDACTED] )

12-08-2012 17:16:11 SR10 3959 JOY, KELLY 6149  
IV10 OS 285 STIGERTS, MARNIE J 4110 FROM:  
P7// TO P1//

12-08-2012 17:16:23 SR10 3959 JOY, KELLY 6149  
1B69 OS 528 LAFLAMME, KEITH 0410 ( [REDACTED] )  
CONTROL FOR UNIT CLEARED

12-08-2012 17:16:23 SR10 3959 JOY, KELLY 6149  
1B64 OS 107 BROWN, EDWARD P 7714 CONTROL  
FOR UNIT CLEARED

12-08-2012 17:16:23 SR10 3959 JOY, KELLY 6149  
2SM6 OS 303 FREEMAN, PAUL 7767 CONTROL  
FOR UNIT CLEARED

12-08-2012 17:16:23 SR10 3959 JOY, KELLY 6149  
2SM3 OS 580 LOMMORI, MICHAEL 7719 CONTROL  
FOR UNIT CLEARED

12-08-2012 17:16:30 SR10 3959 JOY, KELLY 6149  
IV170 OS 277 FAN, JOHN 0815 FROM: P7// TO  
P1//

12-08-2012 17:16:34 SR10 3959 JOY, KELLY 6149  
IV27 OS 268 ENRIQUEZ, F 3020 ( [REDACTED] )  
FROM: P7// TO P1//

12-08-2012 17:16:39 SR10 3959 JOY, KELLY 6149  
IV4 OS 261 EKLUND, JUSTIN 5035 FROM:  
P7// TO P1//

12-08-2012 17:16:46 SR10 3959 JOY, KELLY 6149  
IV24 ER 2989 MONK, DANIEL 5025 FROM: P7//  
TO P1//

12-08-2012 17:17:09 SR4 3508 YONEMURA, JENNIFER 6023  
1B44 OS 3536 MCPHAIL, MATTHEW 3144  
CONTROL FOR UNIT CHANGED P6

SACRAMENTO POLICE DEPARTMENT  
COMPLAINT HARDCOPY

CP 2012 - 332558

Reported: Dec-08-2012 12:32:50

12-08-2012 17:17:19 SR11 3032 FORD, MICHAEL R046 Status Change  
IV113 OS 999 TOEL, W 0276 ( ) 8349  
FOLSOM BLVD

12-08-2012 17:17:28 SR10 3959 JOY, KELLY 6149  
2C67 OS 3841 GATES, CURTIS 0257 FROM:  
P7// TO 6C/P6/

12-08-2012 17:17:28 SR10 3959 JOY, KELLY 6149  
2C67 OS 3937 BRIGGS, SABRINA 3025 FROM:  
P7// TO 6C/P6/

12-08-2012 17:17:56 SR11 3032 FORD, MICHAEL R046  
NEG15 OS 3533 ROBISON, BRADLEY O 3074  
FROM: P7// TO P1//

12-08-2012 17:18:06 SR11 3032 FORD, MICHAEL R046 Call Update  
Call re-directed: P1

12-08-2012 17:18:23 1B28 3666 HAWLEY, AMBER 0216 ( ) RMS Query  
RMS Q LOC-LOC:JACK IN THE BOX MUN:1 REC:Y  
CAD:Y TYPE:H PKI:N

12-08-2012 17:18:35 SR11 3032 FORD, MICHAEL R046 Status Change  
IV54 OS 8 ALONSO, BRYAN 0803 8349 FOLSOM  
BLVD

12-08-2012 17:18:43 SR11 3032 FORD, MICHAEL R046 Call Remark  
IV54 I WAS 906 AT 1653

12-08-2012 17:18:44 1B37 3370 MANTELL, CHARLES 3109 Status Change  
1B37 ER 3370 MANTELL, CHARLES 3109 300R

12-08-2012 17:20:03 SR10 3959 JOY, KELLY 6149  
3SM3 OS 688 MORRIS, JEFFREY 3023 CONTROL  
FOR UNIT CLEARED

12-08-2012 17:20:21 SR10 3959 JOY, KELLY 6149  
UNN33 OS 1046 VILLEGAS, AURELIO 3124 FROM:  
P7// TO P1//

12-08-2012 17:20:24 1B35 1026 BAKER, DEE 7754 Status Change  
1B35 ER 1026 BAKER, DEE 7754 300R

12-08-2012 17:20:27 SR10 3959 JOY, KELLY 6149  
UNN21 OS 313 GALIPEAU, MICHAEL 0316 ( )  
FROM: P7// TO P1//

12-08-2012 17:20:39 SR10 3959 JOY, KELLY 6149  
UNN31 OS 3027 GREEN, ADAMP 5130 FROM:  
P7// TO P1//

12-08-2012 17:20:59 1B44 3536 MCPHAIL, MATTHEW 3144 Status Change  
1B44 ER 3536 MCPHAIL, MATTHEW 3144 JERPF

12-08-2012 17:22:07 SR10 3959 JOY, KELLY 6149  
UNN26 OS 3677 BEVINS, TOD 3044 FROM: P7//

SACRAMENTO POLICE DEPARTMENT  
COMPLAINT HARDCOPY

CP 2012 - 332558

Reported: Dec-08-2012 12:32:50

TO P1//

12-08-2012 17:22:42 SR11 3032 FORD, MICHAEL R046  
PIO2 OS 3319 MORSE, DOUGLAS 3121 FROM:  
P7// TO P1//

12-08-2012 17:22:50 SR11 3032 FORD, MICHAEL R046  
K91 OS 627 MATTHEW, LINDA 0353 FROM:  
P7// TO P1//

12-08-2012 17:22:56 SR10 3959 JOY, KELLY 6149  
UNN25 OS 3266 ROSIN, DOUGLAS 3021 (-)  
FROM: P7// TO P1//

12-08-2012 17:23:00 SR10 3959 JOY, KELLY 6149  
UNN24 OS 570 LIGHTFOOT, JOHN 3050 FROM:  
P7// TO P1//

12-08-2012 17:23:05 SR10 3959 JOY, KELLY 6149  
UNN23 OS 511 KIRTLAN, JOSHUA 3122 FROM:  
P7// TO P1//

12-08-2012 17:23:11 SR10 3959 JOY, KELLY 6149  
UNN22 OS 80 BLESSING, MICHAEL 0266 FROM:  
P7// TO P1//

12-08-2012 17:23:20 1B64 107 BROWN, EDWARD P 7714  
1B64 OS 107 BROWN, EDWARD P 7714 300R

12-08-2012 17:23:26 SR10 3959 JOY, KELLY 6149  
UNN22 OS 80 BLESSING, MICHAEL 0266 CONTROL  
FOR UNIT CLEARED

12-08-2012 17:23:26 SR10 3959 JOY, KELLY 6149  
UNN21 OS 313 GALIPEAU, MICHAEL 0316 (■)  
CONTROL FOR UNIT CLEARED

12-08-2012 17:23:26 SR10 3959 JOY, KELLY 6149  
UNN23 OS 511 KIRTLAN, JOSHUA 3122 CONTROL  
FOR UNIT CLEARED

12-08-2012 17:23:26 SR10 3959 JOY, KELLY 6149  
UNN25 OS 3266 ROSIN, DOUGLAS 3021 (-)  
CONTROL FOR UNIT CLEARED

12-08-2012 17:23:26 SR10 3959 JOY, KELLY 6149  
UNN24 OS 570 LIGHTFOOT, JOHN 3050 CONTROL  
FOR UNIT CLEARED

12-08-2012 17:23:34 SR10 3959 JOY, KELLY 6149  
UNN26 OS 3677 BEVINS, TOD 3044 CONTROL FOR  
UNIT CLEARED

12-08-2012 17:23:34 SR10 3959 JOY, KELLY 6149  
UNN31 OS 3027 GREEN, ADAM P 5130 CONTROL  
FOR UNIT CLEARED

SACRAMENTO POLICE DEPARTMENT  
COMPLAINT HARDCOPY

CP 2012 - 332558

Reported: Dec-08-2012 12:32:50

12-08-2012 17:23:34 SR10 3959 JOY, KELLY 6149  
UNN27 OS CONTROL FOR UNIT CLEARED

12-08-2012 17:23:38 SR10 3959 JOY, KELLY 6149  
UNN33 OS 1046 VILLEGAS, AURELIO 3124  
CONTROL FOR UNIT CLEARED

12-08-2012 17:24:35 SR11 3032 FORD, MICHAEL R046 Status Change  
NEG15 IS 3533 ROBISON, BRADLEY O 3074

12-08-2012 17:25:37 CS3 343 GOMEZ, PRICILLA 6161 ( [REDACTED] )  
UNN27 OS 3700 YOUNG, ROBERT 3102 FROM  
TYPE: XX TO SW SUPPRESS AVL: TO N

12-08-2012 17:25:37 CS3 343 GOMEZ, PRICILLA 6161 ( [REDACTED] )  
UNN27 OS 3700 YOUNG, ROBERT 3102

12-08-2012 17:26:46 SR10 3959 JOY, KELLY 6149  
UNN27 OS 3700 YOUNG, ROBERT 3102 FROM:  
P7// TO P1//

12-08-2012 17:27:03 1B44 3536 MCPHAIL, MATTHEW 3144 Status Change  
1B44 OS 3536 MCPHAIL, MATTHEW 3144

12-08-2012 17:27:13 SR11 3032 FORD, MICHAEL R046  
1B28 OS 3666 HAWLEY, AMBER 0216 ( [REDACTED] )  
REMOVED HANDLED STATUS FOR SA12-332518

12-08-2012 17:29:49 1B63 4027 SMITH, JOSHUA C 0650 Status Change  
1B63 ER 4027 SMITH, JOSHUA C 0650 300

12-08-2012 17:30:04 SR10 3959 JOY, KELLY 6149  
LN26 OS 483 JOY, DENNIS 5005 (-) FROM:  
P7// TO P1//

12-08-2012 17:31:54 1B35 1026 BAKER, DEE 7754 Call Remark  
\*\*SUPL COMPLETED AND SENT \*\*

12-08-2012 17:31:57 SR11 3032 FORD, MICHAEL R046 Call Update  
Call re-directed: P3

12-08-2012 17:32:01 1B37 3370 MANTELL, CHARLES 3109 Status Change  
1B37 OS 3370 MANTELL, CHARLES 3109  
300R-907

12-08-2012 17:32:05 1B35 1026 BAKER, DEE 7754 Status Change  
1B35 OS 1026 BAKER, DEE 7754

12-08-2012 17:32:08 1B35 1026 BAKER, DEE 7754 Status Change  
1B35 IS 1026 BAKER, DEE 7754

12-08-2012 17:33:29 1B64 107 BROWN, EDWARD P 7714 Status Change  
1B64 IS 107 BROWN, EDWARD P 7714

12-08-2012 17:34:13 SR10 3959 JOY, KELLY 6149 Call Update  
Call re-directed: P3

SACRAMENTO POLICE DEPARTMENT  
COMPLAINT HARDCOPY

CP 2012 - 332558

Reported: Dec-08-2012 12:32:50

12-08-2012 17:34:37 SR10 3959 JOY, KELLY 6149  
UNN11 OS 1064 WALTERS, STEVEN 0453 ( )  
FROM: P7// TO P3//

12-08-2012 17:35:16 SR10 3959 JOY, KELLY 6149  
UNN13 OS 168 CHANDLER, VANCE M 4008

12-08-2012 17:35:16 SR10 3959 JOY, KELLY 6149  
UNN13 OS 168 CHANDLER, VANCE M 4008 FROM  
TYPE: XX TO SW FROM: P7// TO P3// SUPPRESS AVL:  
TO N

12-08-2012 17:35:23 SR10 3959 JOY, KELLY 6149  
UNN1 OS 1069 WATSON, JEFF 4093 ( )  
FROM: P7// TO P3//

12-08-2012 17:35:29 SD2 3848 WARD, STACY 6069 Call Remark  
HOMI DET DEDONDER CALLED BACK FOR ETA FOR FIRE  
W/THEIR LIGHTING EQUIP,CALLED FIRE,THEY ARE OS

12-08-2012 17:35:29 SR10 3959 JOY, KELLY 6149  
UNN10 OS 109 BROWN, GREG 3076 ( )  
FROM: P7// TO P2//

12-08-2012 17:35:34 SR10 3959 JOY, KELLY 6149  
UNN12 OS 364 GRIFFIN, KEVIN C 7619 FROM:  
P7// TO P3//

12-08-2012 17:35:39 SR10 3959 JOY, KELLY 6149  
UNN14 OS 2994 EDGERTON, TODD 3131 FROM:  
P7// TO P3//

12-08-2012 17:35:42 SR10 3959 JOY, KELLY 6149  
UNN15 OS 3149 DAVIS, ANDREW 0853 FROM:  
P7// TO P3//

12-08-2012 17:35:48 SR10 3959 JOY, KELLY 6149  
UNN16 OS 3876 JARVIS, JEREMIAH 3022 FROM:  
P7// TO P3//

12-08-2012 17:35:51 SR10 3959 JOY, KELLY 6149  
UNN20 OS 683 MORGADO, JASON 4067 FROM:  
P7// TO P3//

12-08-2012 17:35:55 SR10 3959 JOY, KELLY 6149  
UNN21 OS 313 GALIPEAU, MICHAEL 0316 ( )  
FROM: P1// TO P3//

12-08-2012 17:35:59 SR10 3959 JOY, KELLY 6149  
UNN22 OS 80 BLESSING, MICHAEL 0266 FROM:  
P1// TO P3//

12-08-2012 17:36:03 SR10 3959 JOY, KELLY 6149  
UNN23 OS 511 KIRTLAN, JOSHUA 3122 FROM:  
P1// TO P3//

12-08-2012 17:36:06 SR10 3959 JOY, KELLY 6149

SACRAMENTO POLICE DEPARTMENT  
COMPLAINT HARDCOPY

CP 2012 - 332558

Reported: Dec-08-2012 12:32:50

**UNN24 OS 570 LIGHTFOOT, JOHN 3050 FROM:  
P1// TO P3//**

12-08-2012 17:36:10 SR10 3959 JOY, KELLY 6149  
**UNN25 OS 3266 ROSIN, DOUGLAS 3021 (-)  
FROM: P1// TO P3//**

12-08-2012 17:36:16 SR10 3959 JOY, KELLY 6149  
**UNN26 OS 3677 BEVINS, TOD 3044 FROM: P1//  
TO P3//**

12-08-2012 17:36:24 SR10 3959 JOY, KELLY 6149  
**UNN27 OS 3700 YOUNG, ROBERT 3102 FROM:  
P1// TO P3//**

12-08-2012 17:36:28 SR10 3959 JOY, KELLY 6149  
**UNN31 OS 3027 GREEN, ADAM P 5130 FROM:  
P1// TO P3//**

12-08-2012 17:36:32 SR10 3959 JOY, KELLY 6149  
**UNN33 OS 1046 VILLEGAS, AURELIO 3124 FROM:  
P1// TO P3//**

12-08-2012 17:36:46 SR10 3959 JOY, KELLY 6149  
**UNN10 OS 109 BROWN, GREG 3076 ( )  
CONTROL FOR UNIT CLEARED**

12-08-2012 17:36:46 SR10 3959 JOY, KELLY 6149  
**UNN26 OS 3677 BEVINS, TOD 3044 CONTROL FOR  
UNIT CLEARED**

12-08-2012 17:36:46 SR10 3959 JOY, KELLY 6149  
**UNN27 OS 3700 YOUNG, ROBERT 3102 CONTROL  
FOR UNIT CLEARED**

12-08-2012 17:36:46 SR10 3959 JOY, KELLY 6149  
**UNN23 OS 511 KIRTLAN, JOSHUA 3122 CONTROL  
FOR UNIT CLEARED**

12-08-2012 17:36:46 SR10 3959 JOY, KELLY 6149  
**UNN22 OS 80 BLESSING, MICHAEL 0266 CONTROL  
FOR UNIT CLEARED**

12-08-2012 17:36:53 SR10 3959 JOY, KELLY 6149  
**LN10 OS 218 DAVIS, DONALD 7602 ( ) -  
FROM: P7// TO P3//**

12-08-2012 17:36:57 SR10 3959 JOY, KELLY 6149  
**K910 OS 990 THOMPSON, AARON 3140 FROM:  
P7// TO P3// SUPPRESS AVL: TO N**

12-08-2012 17:37:01 SR10 3959 JOY, KELLY 6149  
**K98 OS 32 AZEVEDO, JOHN S 3051 FROM:  
P7// TO P3//**

12-08-2012 17:37:05 SR10 3959 JOY, KELLY 6149  
**K91 OS 627 MATTHEW, LINDA 0353 FROM:**

SACRAMENTO POLICE DEPARTMENT  
COMPLAINT HARDCOPY

CP 2012 - 332558

Reported: Dec-08-2012 12:32:50

**P1// TO P3//**

12-08-2012 17:37:29 SR10 3959 JOY, KELLY 6149  
IV62 OS 3178 RICHARDSON, S 0621 ( [REDACTED])  
FROM TYPE: XX TO DT FROM: P7// TO P3//

12-08-2012 17:37:51 SR10 3959 JOY, KELLY 6149  
IV27 OS 268 ENRIQUEZ, F 3020 ( [REDACTED])  
FROM: P1// TO P3//

12-08-2012 17:37:55 SR10 3959 JOY, KELLY 6149  
IV24 ER 2989 MONK, DANIEL 5025 FROM: P1//  
TO P3//

12-08-2012 17:37:59 SR10 3959 JOY, KELLY 6149  
IV170 OS 277 FAN, JOHN 0815 FROM: P1// TO  
P3//

12-08-2012 17:38:06 SR10 3959 JOY, KELLY 6149  
IV4 OS 261 EKLUND, JUSTIN 5035 FROM:  
P1// TO P3//

12-08-2012 17:38:22 SR10 3959 JOY, KELLY 6149  
IV10 OS 285 STIGERTS, MARNIE J 4110 FROM:  
P1// TO P3//

12-08-2012 17:38:26 SR10 3959 JOY, KELLY 6149  
LN26 OS 483 JOY, DENNIS 5005 (-) FROM:  
P1// TO P3//

12-08-2012 17:38:34 SR10 3959 JOY, KELLY 6149  
MTR64 OS 3602 BELL, JOHN 7730 FROM: P7//  
TO P3//

12-08-2012 17:38:38 SR10 3959 JOY, KELLY 6149  
MTR65 OS 3217 DUCKHAM, JEREMY 0676 ( [REDACTED])  
FROM: P7// TO P3//

12-08-2012 17:38:59 SR10 3959 JOY, KELLY 6149 Status Change  
NEG31 OS 3430 LONGANECKER, DANIL L 3017

12-08-2012 17:38:59 SR10 3959 JOY, KELLY 6149 Status Change  
NEG32 OS 695 MOUZIS, CHRISTOPHER 3006 (

12-08-2012 17:38:59 SR10 3959 JOY, KELLY 6149 Status Change  
NEG40 OS 1053 VOSKA, DOUGLAS 7736

12-08-2012 17:39:03 SD2 3848 WARD, STACY 6069 Call Remark  
FIRE IS REQ SOMEONE ON THIS CALL CONTACT THEIR  
MED AMR54 W/DOB AND ADDR FOR VIC [REDACTED] ... PH  
[REDACTED]

12-08-2012 17:39:06 SR10 3959 JOY, KELLY 6149 Status Change  
STF10 OS 847 RISLEY, JUSTIN 5002

12-08-2012 17:39:06 SR10 3959 JOY, KELLY 6149 Status Change  
STF21 OS 1039 VASSALLO, ADAM 3047

SACRAMENTO POLICE DEPARTMENT  
COMPLAINT HARDCOPY

CP 2012 - 332558

Reported: Dec-08-2012 12:32:50

12-08-2012 17:39:27 SR10 3959 JOY, KELLY 6149  
NEG31 OS 3430 LONGANECKER, DANIL 3017  
FROM: P7// TO P3//

12-08-2012 17:39:33 SR10 3959 JOY, KELLY 6149  
NEG32 OS 695 MOUZIS, CHRISTOPHER 3006 (  
FROM: P7// TO P3//

12-08-2012 17:39:37 SR10 3959 JOY, KELLY 6149  
NEG35 OS 602 MACLAFFERTY, SCOTT 3065 FROM:  
P7// TO P3//

12-08-2012 17:39:48 SR10 3959 JOY, KELLY 6149  
NEG40 OS 1053 VOSKA, DOUGLAS 7736 FROM:  
P7// TO P3//

12-08-2012 17:40:11 SR10 3959 JOY, KELLY 6149  
STF10 OS 847 RISLEY, JUSTIN 5002 FROM:  
P7// TO P3//

12-08-2012 17:40:15 SR10 3959 JOY, KELLY 6149  
STF21 OS 1039 VASSALLO, ADAM 3047 FROM:  
P7// TO P3//

12-08-2012 17:40:19 1B69 528 LAFLAMME, KEITH 0410 ( [REDACTED] ) Status Change  
1B69 IS 528 LAFLAMME, KEITH 0410 ( [REDACTED] )

12-08-2012 17:40:20 SR10 3959 JOY, KELLY 6149  
PIO2 OS 3319 MORSE, DOUGLAS 3121 FROM:  
P1// TO P3//

12-08-2012 17:40:26 SR10 3959 JOY, KELLY 6149  
UNN10 OS 109 BROWN, GREG 3076 ( [REDACTED] )  
FROM: P2// TO P3//

12-08-2012 17:41:22 SR10 3959 JOY, KELLY 6149  
IV10 OS 285 STIGERTS, MARNIE J 4110  
CONTROL FOR UNIT CLEARED

12-08-2012 17:41:22 SR10 3959 JOY, KELLY 6149  
IV113 OS 999 TOEL, W 0276 ( [REDACTED] )  
CONTROL FOR UNIT CLEARED

12-08-2012 17:41:22 SR10 3959 JOY, KELLY 6149  
IV140 OS 31 AYERS, SHAWN E 3002 CONTROL  
FOR UNIT CLEARED

12-08-2012 17:41:23 SR10 3959 JOY, KELLY 6149  
IV145 OS 510 KIRTLAN, JASON 3004 CONTROL  
FOR UNIT CLEARED

12-08-2012 17:41:23 SR10 3959 JOY, KELLY 6149  
IV146 OS 130 BURKE, DANIEL 0474 ( [REDACTED] )  
CONTROL FOR UNIT CLEARED

12-08-2012 17:41:26 SR10 3959 JOY, KELLY 6149



SACRAMENTO POLICE DEPARTMENT  
COMPLAINT HARDCOPY

CP 2012 - 332558

Reported: Dec-08-2012 12:32:50

**IV170 OS 277 FAN, JOHN 0815 CONTROL FOR  
UNIT CLEARED**

12-08-2012 17:41:49 SR10 3959 JOY, KELLY 6149  
**IV24 ER 2989 MONK, DANIEL 5025 CONTROL  
FOR UNIT CLEARED**

12-08-2012 17:41:49 SR10 3959 JOY, KELLY 6149  
**IV54 OS 8 ALONSO, BRYAN 0803 CONTROL FOR  
UNIT CLEARED**

12-08-2012 17:41:49 SR10 3959 JOY, KELLY 6149  
**IV4 OS 261 EKLUND, JUSTIN 5035 CONTROL  
FOR UNIT CLEARED**

12-08-2012 17:41:49 SR10 3959 JOY, KELLY 6149  
**IV27 OS 268 ENRIQUEZ, F 3020 ( [REDACTED]  
CONTROL FOR UNIT CLEARED**

12-08-2012 17:41:56 SR10 3959 JOY, KELLY 6149  
**K910 OS 990 THOMPSON, AARON 3140 CONTROL  
FOR UNIT CLEARED**

12-08-2012 17:41:56 SR10 3959 JOY, KELLY 6149  
**K91 OS 627 MATTHEW, LINDA 0353 CONTROL  
FOR UNIT CLEARED**

12-08-2012 17:41:56 SR10 3959 JOY, KELLY 6149  
**IV62 OS 3178 RICHARDSON, S 0621 ( [REDACTED]  
CONTROL FOR UNIT CLEARED**

12-08-2012 17:41:56 SR10 3959 JOY, KELLY 6149  
**K98 OS 32 AZEVEDO, JOHN S 3051 CONTROL  
FOR UNIT CLEARED**

12-08-2012 17:42:03 SR10 3959 JOY, KELLY 6149  
**MTR64 OS 3602 BELL, JOHN 7730 CONTROL FOR  
UNIT CLEARED**

12-08-2012 17:42:03 SR10 3959 JOY, KELLY 6149  
**LN26 OS 483 JOY, DENNIS 5005 (-) CONTROL  
FOR UNIT CLEARED**

12-08-2012 17:42:03 SR10 3959 JOY, KELLY 6149  
**LN10 OS 218 DAVIS, DONALD 7602 ( [REDACTED]  
CONTROL FOR UNIT CLEARED**

12-08-2012 17:42:03 SR10 3959 JOY, KELLY 6149  
**MTR65 OS 3217 DUCKHAM, JEREMY 0676 ( [REDACTED]  
CONTROL FOR UNIT CLEARED**

12-08-2012 17:42:18 SR10 3959 JOY, KELLY 6149  
**NEG40 OS 1053 VOSKA, DOUGLAS 7736 CONTROL  
FOR UNIT CLEARED**

12-08-2012 17:42:18 SR10 3959 JOY, KELLY 6149  
**NEG32 OS 695 MOUZIS, CHRISTOPHER 3006 (**

SACRAMENTO POLICE DEPARTMENT  
COMPLAINT HARDCOPY

CP 2012 - 332558

Reported: Dec-08-2012 12:32:50

**CONTROL FOR UNIT CLEARED**

12-08-2012 17:42:18 SR10 3959 JOY, KELLY 6149  
NEG31 OS 3430 LONGANECKER, DANIL 3017  
CONTROL FOR UNIT CLEARED

12-08-2012 17:42:18 SR10 3959 JOY, KELLY 6149  
PIO2 OS 3319 MORSE, DOUGLAS 3121 CONTROL  
FOR UNIT CLEARED

12-08-2012 17:42:18 SR10 3959 JOY, KELLY 6149  
STF10 OS 847 RISLEY, JUSTIN 5002 CONTROL  
FOR UNIT CLEARED

12-08-2012 17:42:22 SR10 3959 JOY, KELLY 6149  
NEG35 OS 602 MACLAFFERTY, SCOTT 3065  
CONTROL FOR UNIT CLEARED

12-08-2012 17:42:36 SR10 3959 JOY, KELLY 6149  
STF21 OS 1039 VASSALLO, ADAM 3047 CONTROL  
FOR UNIT CLEARED

12-08-2012 17:42:36 SR10 3959 JOY, KELLY 6149  
UNN1 OS 1069 WATSON, JEFF 4093 ( )  
CONTROL FOR UNIT CLEARED

12-08-2012 17:42:36 SR10 3959 JOY, KELLY 6149  
UNN11 OS 1064 WALTERS, STEVEN 0453 ( )  
CONTROL FOR UNIT CLEARED

12-08-2012 17:42:36 SR10 3959 JOY, KELLY 6149  
UNN12 OS 364 GRIFFIN, KEVIN C 7619 CONTROL  
FOR UNIT CLEARED

12-08-2012 17:42:36 SR10 3959 JOY, KELLY 6149  
UNN13 OS 168 CHANDLER, VANCE M 4008  
CONTROL FOR UNIT CLEARED

12-08-2012 17:42:44 SR10 3959 JOY, KELLY 6149  
UNN14 OS 2994 EDGERTON, TODD 3131 CONTROL  
FOR UNIT CLEARED

12-08-2012 17:42:44 SR10 3959 JOY, KELLY 6149  
UNN15 OS 3149 DAVIS, ANDREW 0853 CONTROL  
FOR UNIT CLEARED

12-08-2012 17:42:44 SR10 3959 JOY, KELLY 6149  
UNN16 OS 3876 JARVIS, JEREMIAH 3022  
CONTROL FOR UNIT CLEARED

12-08-2012 17:42:44 SR10 3959 JOY, KELLY 6149  
UNN20 OS 683 MORGADO, JASON 4067 CONTROL  
FOR UNIT CLEARED

12-08-2012 17:42:44 SR10 3959 JOY, KELLY 6149  
UNN21 OS 313 GALIPEAU, MICHAEL 0316 ( )  
CONTROL FOR UNIT CLEARED

SACRAMENTO POLICE DEPARTMENT  
COMPLAINT HARDCOPY

CP 2012 - 332558

Reported: Dec-08-2012 12:32:50

12-08-2012 17:42:57 SR10 3959 JOY, KELLY 6149  
UNN24 OS 570 LIGHTFOOT, JOHN 3050 CONTROL  
FOR UNIT CLEARED

12-08-2012 17:42:57 SR10 3959 JOY, KELLY 6149  
UNN25 OS 3266 ROSIN, DOUGLAS 3021 (-)  
CONTROL FOR UNIT CLEARED

12-08-2012 17:42:57 SR10 3959 JOY, KELLY 6149  
UNN31 OS 3027 GREEN, ADAM P 5130 CONTROL  
FOR UNIT CLEARED

12-08-2012 17:42:58 SR10 3959 JOY, KELLY 6149  
UNN33 OS 1046 VILLEGAS, AURELIO 3124  
CONTROL FOR UNIT CLEARED

12-08-2012 17:42:58 1B63 4027 SMITH, JOSHUA C 0650 Status Change  
1B63 OS 4027 SMITH, JOSHUA C 0650

12-08-2012 17:42:59 1B63 4027 SMITH, JOSHUA C 0650 Status Change  
1B63 IS 4027 SMITH, JOSHUA C 0650

12-08-2012 17:43:13 SR10 3959 JOY, KELLY 6149  
3SM3 OS 688 MORRIS, JEFFREY 3023 CONTROL  
FOR UNIT CLEARED

12-08-2012 17:43:28 SR10 3959 JOY, KELLY 6149  
1C34 OS 3529 CABRERA, ROSALIA 0723  
CONTROL FOR UNIT CLEARED

12-08-2012 17:43:28 SR10 3959 JOY, KELLY 6149  
1C35 OS 3481 MCGOVERN, SHAUN 0892 CONTROL  
FOR UNIT CLEARED

12-08-2012 17:43:28 SR10 3959 JOY, KELLY 6149  
1C38 OS 3866 STREICH, KELLI 0247 CONTROL  
FOR UNIT CLEARED

12-08-2012 17:43:31 SR10 3959 JOY, KELLY 6149  
2SM3 OS 580 LOMMORI, MICHAEL 7719 CONTROL  
FOR UNIT CLEARED

12-08-2012 17:43:56 1B32 4013 KNOBLOCK, NICHOLAS 0239 Call Remark  
SUPP ON OBS SENT UP

12-08-2012 17:44:05 1B32 4013 KNOBLOCK, NICHOLAS 0239 Status Change  
1B32 IS 4013 KNOBLOCK, NICHOLAS 0239

12-08-2012 17:44:09 SR9 3833 WOOD, SARAH 6000  
1C68 OS 3301 VASQUEZ, ALEX 0869 Sent to  
MDT: 1C68,Status changed to OS by SR9

12-08-2012 17:44:09 SR9 3833 WOOD, SARAH 6000 Status Change  
1C68 OS 3301 VASQUEZ, ALEX 0869

12-08-2012 17:48:04 1B44 3536 MCPHAIL, MATTHEW 3144 Call Remark

SACRAMENTO POLICE DEPARTMENT  
COMPLAINT HARDCOPY

CP 2012 - 332558

Reported: Dec-08-2012 12:32:50

**1B44, PERIMETER POSITION NEAR THE CP, FOLLOWED  
SUSPECT TO UCD, WRITING OBS, NO SUSPECT/VICT/WIT  
STATEMENTS TAKEN BY ME**

12-08-2012 17:48:30 1B44 3536 MCPHAIL, MATTHEW 3144 Status Change  
1B44 IS 3536 MCPHAIL, MATTHEW 3144

12-08-2012 17:48:50 1B28 3666 HAWLEY, AMBER 0216 ( ) Call Remark  
SUPP COMPLETED...C3 FROM EL CAMINO/99 TO  
SCENE...NO INCIDENTS

12-08-2012 17:52:59 1B28 3666 HAWLEY, AMBER 0216 ( ) Status Change  
1B28 IS 3666 HAWLEY, AMBER 0216 ( )

12-08-2012 17:55:28 1B29 3090 MARKS, DARREN 0236 ( ) Status Change  
1B29 IS 3090 MARKS, DARREN 0236 ( )

12-08-2012 17:55:56 SR9 3833 WOOD, SARAH 6000 Call Remark  
AMR WAS GIVEN INFO ON SCENE PER 2C65

12-08-2012 17:57:39 1C68 3301 VASQUEZ, ALEX 0869 RMS Query  
RMS Q LOC-LOC: TYPE:H MUN:1 CAD:Y  
REC:Y PKI:N

12-08-2012 17:58:47 1C68 3301 VASQUEZ, ALEX 0869 RMS Query  
RMS Q LOC-LOC: TYPE:H MUN:1  
CAD:Y REC:Y PKI:N

12-08-2012 18:07:28 2C65 3859 LOPEZ, SAMUEL 0571 Call Remark  
OWNER OF JACK IN THE BOX:  
CP# , ALT#

12-08-2012 18:10:28 SR11 3032 FORD, MICHAEL R046  
IV113 OS 999 TOEL, W 0276 ( ) 300  
RICHARDS BLVD (V)

12-08-2012 18:11:26 SR11 3032 FORD, MICHAEL R046  
IV140 OS 31 AYERS, SHAWN E 3002 300  
RICHARDS BLVD (V)

12-08-2012 18:11:47 SR11 3032 FORD, MICHAEL R046  
IV62 OS 3178 RICHARDSON, S 0621 ( )  
300 RICHARDS BLVD (V)

12-08-2012 18:13:11 BEAT4 3077 MARQUEZ, GUILLERMO 0847  
BEAT4 OA 3077 MARQUEZ, GUILLERMO 0847  
UPDATED CASE SA332558 FOUNDED-Y REPORT-N CLEARED  
BY-A FINAL-211P BOLO-N STUDY FLAG- DONE FINALLY

12-08-2012 18:15:20 3SM3 688 MORRIS, JEFFREY 3023 Status Change  
3SM3 IS 688 MORRIS, JEFFREY 3023

12-08-2012 18:15:22 CS1 248 SOUTHWARD, KAMERON 6159 Status Change  
NEG40 IS 1053 VOSKA, DOUGLAS 7736

12-08-2012 18:24:14 1B67 699 MULLIGAN, PATRICK 7760 Call Remark  
SUPP COMPLETED

SACRAMENTO POLICE DEPARTMENT  
COMPLAINT HARDCOPY

CP 2012 - 332558

Reported: Dec-08-2012 12:32:50

12-08-2012 18:24:19 1B67 699 MULLIGAN, PATRICK 7760 Status Change  
1B67 IS 699 MULLIGAN, PATRICK 7760

12-08-2012 18:27:48 2SM6 303 FREEMAN, PAUL 7767 Status Change  
2SM6 IS 303 FREEMAN, PAUL 7767

12-08-2012 18:31:12 2SM3 580 LOMMORI, MICHAEL 7719  
2SM3 NA 580 LOMMORI, MICHAEL 7719 BYE

12-08-2012 18:32:36 SR9 3833 WOOD, SARAH 6000  
IV113 OS 999 TOEL, W 0276 ( )  
RICHARDS

12-08-2012 18:36:27 SD14 3566 TAYLOR, RICHARD 6040  
NEG32 OS 695 MOUZIS, CHRISTOPHER 3006 (  
4510 ORANGE GROVE (SSD)

12-08-2012 18:36:44 SR9 3833 WOOD, SARAH 6000  
1B37 OS 3370 MANTELL, CHARLES 3109  
REMOVED HANDLED STATUS FOR SA12-332535

12-08-2012 18:37:08 SR12 3578 DUGGINS, MICHELE 6062  
IV54 OS 8 ALONSO, BRYAN 0803 300 RICHARDS

12-08-2012 18:37:13 SR12 3578 DUGGINS, MICHELE 6062 Status Change  
IV173 OS 477 JOHNSON, M 0706 ( )  
8349 FOLSOM BLVD

12-08-2012 18:37:33 SR12 3578 DUGGINS, MICHELE 6062 Status Change  
IV173 ER 477 JOHNSON, M 0706 ( ) HOJ

12-08-2012 18:38:43 1B37 3370 MANTELL, CHARLES 3109 Status Change  
1B37 IS 3370 MANTELL, CHARLES 3109

12-08-2012 18:42:22 SR12 3578 DUGGINS, MICHELE 6062  
1C24 OS 3607 DAVIS, STEVEN J. 0234

12-08-2012 18:51:58 1C63 869 TEURN, LO 0403 Status Change  
1C63 IS 869 TEURN, LO 0403

12-08-2012 18:52:24 SR11 3032 FORD, MICHAEL R046 Status Change  
IV173 OS 477 JOHNSON, M 0706 ( )

12-08-2012 19:00:21 SR11 3032 FORD, MICHAEL R046 Status Change  
IV24 OS 2989 MONK, DANIEL 5025 300  
RICHARDS BLVD (V)

12-08-2012 19:00:44 SD8 3563 LOUIE, LEAH R012 (-) Call Remark  
OWNER IS LL NOW... ( )  
( ) ... WHEN WILL HE GET BLDG BACK AND  
WHEN/HOW WILL HE BE ABLE TO SPEAK TO HIS EMPS..?  
PLS HAVE OFFICER CALL HIM WHEN AVAIL

12-08-2012 19:04:31 SR12 3578 DUGGINS, MICHELE 6062 Status Change  
2C37 ER 3609 MABUNGA, ROBERT 0300 8349  
FOLSOM BLVD

SACRAMENTO POLICE DEPARTMENT  
COMPLAINT HARDCOPY

CP 2012 - 332558

Reported: Dec-08-2012 12:32:50

12-08-2012 19:04:31 SR12 3578 DUGGINS, MICHELE 6062 Status Change  
2C37 ER 3631 MORRISON, KELLY 0404 8349  
FOLSOM BLVD

12-08-2012 19:05:56 2C37 3609 MABUNGA, ROBERT 0300 Status Change  
2C37 OS 3631 MORRISON, KELLY 0404

12-08-2012 19:05:56 2C37 3609 MABUNGA, ROBERT 0300 Status Change  
2C37 OS 3609 MABUNGA, ROBERT 0300

12-08-2012 19:08:04 SD1 3488 BINGHAM, RICHELLE 6075 Call Remark  
UNN16 LL...ASKING TO BE LOGGED OFF SO HE CAN LOG  
ON TO A COMPUTER

12-08-2012 19:08:48 SR9 3833 WOOD, SARAH 6000 Status Change  
1C63 ER 869 TEURN, LO 0403 8349 FOLSOM  
BLVD

12-08-2012 19:09:47 SR9 3833 WOOD, SARAH 6000 Status Change  
UNN16 IS 3876 JARVIS, JEREMIAH 3022

12-08-2012 19:10:21 2C65 3859 LOPEZ, SAMUEL 0571 Status Change  
2C65 IS 3870 WISEMAN, DANIEL 0346

12-08-2012 19:10:21 2C65 3859 LOPEZ, SAMUEL 0571 Status Change  
2C65 IS 3859 LOPEZ, SAMUEL 0571

12-08-2012 19:13:35 SR9 3833 WOOD, SARAH 6000 Status Change  
IV113 ER 999 TOEL, W 0276 ( ) 4510  
ORANGE GROVE, BM 938

12-08-2012 19:13:42 1C63 869 TEURN, LO 0403 Status Change  
1C63 OS 869 TEURN, LO 0403

12-08-2012 19:15:19 SR9 3833 WOOD, SARAH 6000  
IV54 ER 8 ALONSO, BRYAN 0803 4510 ORANGE  
GROVE

12-08-2012 19:15:21 SR11 3032 FORD, MICHAEL R046  
IV54 TR 8 ALONSO, BRYAN 0803 4510 ORANGE  
GROVE

12-08-2012 19:15:24 SD1 3488 BINGHAM, RICHELLE 6075 Call Remark  
IV62 IS LL....PLS SHOW HER XPORTING 3 TO THE SSD  
FACILITY ON ORANGE GROVE....BM 0.0

12-08-2012 19:16:12 1C34 3529 CABRERA, ROSALIA 0723 RMS Query  
RMS Q LOC-LOC:4500 ORANGE GROVE MUN:1 REC:Y  
CAD:Y TYPE:H PKI:N

12-08-2012 19:16:19 SR9 3833 WOOD, SARAH 6000  
IV62 ER 3178 RICHARDSON, S 0621 ( )  
4510 ORANGE GROVE

12-08-2012 19:17:20 1C34 3529 CABRERA, ROSALIA 0723  
1C34 ER 3529 CABRERA, ROSALIA 0723 4500

SACRAMENTO POLICE DEPARTMENT  
COMPLAINT HARDCOPY

CP 2012 - 332558

Reported: Dec-08-2012 12:32:50

**ORANGE GROVE**

12-08-2012 19:17:38 1C34 3529 CABRERA, ROSALIA 0723 RMS Query  
RMS Q LOC-LOC:4500 ORANGE GROVE MUN:2 REC:Y  
CAD:Y TYPE:H PKI:N

12-08-2012 19:18:11 CS3 343 GOMEZ, PRICILLA 6161 ( ) Status Change  
LN26 IS 483 JOY, DENNIS 5005 (-)

12-08-2012 19:22:47 SR9 3833 WOOD, SARAH 6000 Status Change  
2C37 IS 3609 MABUNGA, ROBERT 0300 PREEMPT

12-08-2012 19:22:47 SR9 3833 WOOD, SARAH 6000 Status Change  
2C37 IS 3631 MORRISON, KELLY 0404 PREEMPT

12-08-2012 19:23:41 SR9 3833 WOOD, SARAH 6000 Status Change  
2C37 OS 3631 MORRISON, KELLY 0404 8349  
FOLSOM BLVD

12-08-2012 19:23:41 SR9 3833 WOOD, SARAH 6000 Status Change  
2C37 OS 3609 MABUNGA, ROBERT 0300 8349  
FOLSOM BLVD

12-08-2012 19:27:57 1C34 3529 CABRERA, ROSALIA 0723  
1C34 OS 3529 CABRERA, ROSALIA 0723

12-08-2012 19:28:22 SR9 3833 WOOD, SARAH 6000 Status Change  
IV113 OS 999 TOEL, W 0276 ( ) 4510  
ORANGE GROVE,EM 950

12-08-2012 19:28:54 SR9 3833 WOOD, SARAH 6000 Status Change  
IV140 ER 31 AYERS, SHAWN E 3002 4510  
ORANGE GROVE,X2

12-08-2012 19:29:09 SR9 3833 WOOD, SARAH 6000  
IV62 OS 3178 RICHARDSON, S 0621 ( )  
4510 ORANGE GROVE. EM 11.4

12-08-2012 19:29:27 SR11 3032 FORD, MICHAEL R046 Call Remark  
IV54 EM 9.5

12-08-2012 19:29:27 SR11 3032 FORD, MICHAEL R046  
IV54 OS 8 ALONSO, BRYAN 0803 TRANSPORT  
COMPLETED:

12-08-2012 19:33:47 IV24 2989 MONK, DANIEL 5025  
IV24 OS 2989 MONK, DANIEL 5025 VEH:B8521  
ID:B8521

12-08-2012 19:34:16 UNN26 3677 BEVINS, TOD 3044  
UNN26 OS 3677 BEVINS, TOD 3044 VEH:B6036  
ID:B6036

12-08-2012 19:35:58 SR11 3032 FORD, MICHAEL R046  
1C24 OS 3607 DAVIS, STEVEN J. 0234  
CONTROL FOR UNIT CLEARED

SACRAMENTO POLICE DEPARTMENT  
COMPLAINT HARDCOPY

CP 2012 - 332558

Reported: Dec-08-2012 12:32:50

12-08-2012 19:36:02 1C68 3301 VASQUEZ, ALEX 0869 Status Change  
1C68 IS 3301 VASQUEZ, ALEX 0869

12-08-2012 19:38:57 SR9 3833 WOOD, SARAH 6000 Status Change  
1C63 IS 869 TEURN, LO 0403

12-08-2012 19:48:48 SR11 3032 FORD, MICHAEL R046  
1C24 OS 3607 DAVIS, STEVEN J. 0234  
UNAVAILABLE

12-08-2012 19:52:18 CS3 343 GOMEZ, PRICILLA 6161 ( ) Status Change  
UNN11 IS 1064 WALTERS, STEVEN 0453 (Ret)

12-08-2012 19:56:38 1C69 3806 BYRON, RODERICK 0824 Call Remark  
SUSPECT PRONOUNCED 926 AT 1701 HRS BY DR. ( )

12-08-2012 19:56:48 LN10 218 DAVIS, DONALD 7602 ( ) Status Change  
LN10 IS 218 DAVIS, DONALD 7602 ( ) -

12-08-2012 19:59:14 1C24 3607 DAVIS, STEVEN J. 0234 Status Change  
1C24 IS 3607 DAVIS, STEVEN J. 0234

12-08-2012 20:07:21 CS3 343 GOMEZ, PRICILLA 6161 ( )  
UNN20 NA 683 MORGADO, JASON 4067

12-08-2012 20:07:21 CS3 343 GOMEZ, PRICILLA 6161 ( )  
UNN20 OS 725 NICHOLS, MICHAEL A 7720

12-08-2012 20:08:29 SR9 3833 WOOD, SARAH 6000  
1C34 OS 3529 CABRERA, ROSALIA 0723 4510  
ORANGE GROVE

12-08-2012 20:13:48 1C69 3806 BYRON, RODERICK 0824 Status Change  
1C69 IS 3806 BYRON, RODERICK 0824

12-08-2012 20:14:27 2C37 3609 MABUNGA, ROBERT 0300 External Query  
EXT Q PERS-NAME: ( ) G1: ( ) DOB: ( )  
SEX:M RACE:W STATE:CA REC:Y EXTN:Y EXIE:Y  
EXTM:N EXTD:Y PKI:N TONC:Y UNIT:2C37

12-08-2012 20:14:27 2C37 3609 MABUNGA, ROBERT 0300 RMS Query  
RMS Q PERS-NAME: ( ) G1: ( ) DOB: ( )  
SEX:M RACE:W STATE:CA REC:Y EXTN:Y EXIE:Y  
EXTM:N EXTD:Y PKI:N TONC:Y UNIT:2C37

12-08-2012 20:15:37 2C37 3609 MABUNGA, ROBERT 0300 RMS Query  
RMS Q PERS-NAME: ( ) G1: ( ) DOB: ( )  
SEX:M RACE:W STATE:CA REC:Y EXTN:Y EXIE:Y  
EXTM:N EXTD:Y PKI:N TONC:Y UNIT:2C37

12-08-2012 20:15:37 2C37 3609 MABUNGA, ROBERT 0300 External Query  
EXT Q PERS-NAME: ( ) G1: ( ) DOB: ( )  
SEX:M RACE:W STATE:CA REC:Y EXTN:Y EXIE:Y  
EXTM:N EXTD:Y PKI:N TONC:Y UNIT:2C37

12-08-2012 20:16:51 2C37 3609 MABUNGA, ROBERT 0300 External Query  
EXT Q PERS-NAME: ( ) G1: ( )



SACRAMENTO POLICE DEPARTMENT  
COMPLAINT HARDCOPY

CP 2012 - 332558

Reported: Dec-08-2012 12:32:50

DOB: [REDACTED] SEX:F RACE:W STATE:CA REC:Y  
EXTN:Y EXTE:Y EXTM:N EXTD:Y PKI:N TONC:Y  
UNIT:2C37

12-08-2012 20:16:51 2C37 3609 MABUNGA, ROBERT 0300 RMS Query  
RMS O PERS-NAME: [REDACTED] GI: [REDACTED]  
DOB: [REDACTED] SEX:F RACE:W STATE:CA REC:Y  
EXTN:Y EXTE:Y EXTM:N EXTD:Y PKI:N TONC:Y  
UNIT:2C37

12-08-2012 20:17:56 UNN20 725 NICHOLS, MICHAEL A 7720  
UNN20 OS 725 NICHOLS, MICHAEL A 7720  
VEH:B5986 ID:B5986 300 RICHARDS

12-08-2012 20:18:46 CS3 343 GOMEZ, PRICILLA 6161 ([REDACTED])  
STF10 OS 846 RISLEY, DAVID 5010

12-08-2012 20:18:46 CS3 343 GOMEZ, PRICILLA 6161 ([REDACTED])  
STF10 NA 847 RISLEY, JUSTIN 5002

12-08-2012 20:18:57 2C37 3609 MABUNGA, ROBERT 0300 RMS Query  
RMS Q BUS-NAME:ST FRANCIS PKI:N

12-08-2012 21:01:31 UNN26 3677 BEVINS, TOD 3044 Status Change  
UNN26 IS 3677 BEVINS, TOD 3044

12-08-2012 21:08:20 SR9 3833 WOOD, SARAH 6000 Status Change  
2C31 DP 603 MADSEN, ERIC 0421 8349 FOLSOM  
BLVD

12-08-2012 21:08:20 SR9 3833 WOOD, SARAH 6000 Status Change  
2C31 DP 3894 CLATTERBUCK, LORI 0473 8349  
FOLSOM BLVD

12-08-2012 21:09:05 SR9 3833 WOOD, SARAH 6000 Status Change  
IV140 OS 31 AYERS, SHAWN E 3002 4510  
ORANGE GROVE

12-08-2012 21:11:16 SR9 3833 WOOD, SARAH 6000  
2C31 ER 603 MADSEN, ERIC 0421 Sent to  
MDT: 2C31,Status changed to ER by SR9

12-08-2012 21:11:16 SR9 3833 WOOD, SARAH 6000 Status Change  
2C31 ER 603 MADSEN, ERIC 0421

12-08-2012 21:11:16 SR9 3833 WOOD, SARAH 6000 Status Change  
2C31 ER 3894 CLATTERBUCK, LORI 0473

12-08-2012 21:12:33 SR10 3959 JOY, KELLY 6149 Call Update  
Call transferred to Records: 332558

12-08-2012 21:13:12 SR9 3833 WOOD, SARAH 6000 Status Change  
2C31 IS 3894 CLATTERBUCK, LORI 0473

12-08-2012 21:13:12 SR9 3833 WOOD, SARAH 6000 Status Change  
2C31 IS 603 MADSEN, ERIC 0421

SACRAMENTO POLICE DEPARTMENT  
COMPLAINT HARDCOPY

CP 2012 - 332558

Reported: Dec-08-2012 12:32:50

12-08-2012 21:16:43 SR9 3833 WOOD, SARAH 6000 Status Change  
2C31 ER 3894 CLATTERBUCK, LORI 0473 8349  
FOLSOM BLVD

12-08-2012 21:16:43 SR9 3833 WOOD, SARAH 6000 Status Change  
2C31 ER 603 MADSEN, ERIC 0421 8349 FOLSOM  
BLVD

12-08-2012 21:16:49 SR9 3833 WOOD, SARAH 6000  
2C31 ER 603 MADSEN, ERIC 0421 DELETED  
STACK TO SA12-332841

12-08-2012 21:22:35 K910 990 THOMPSON, AARON 3140 Status Change  
K910 IS 990 THOMPSON, AARON 3140

12-08-2012 21:30:36 SD2 3836 FURNISS, KELLY 6036 Call Remark  
IV113 WITN [REDACTED] BAIL BONDSMAN, HAD WPN ON  
HIM: SIG SAUER 40 CAL, SN: [REDACTED], ATTACHED

12-08-2012 21:38:07 1C34 3529 CABRERA, ROSALIA 0723 RMS Query  
RMS Q LOC-LOC: [REDACTED] MUN:2 REC:Y  
CAD:Y TYPE:H PKEN

12-08-2012 21:39:28 1C34 3529 CABRERA, ROSALIA 0723 Call Remark  
DROP OFF LOCATIONS #1 [REDACTED] #2  
[REDACTED] #3 [REDACTED]

12-08-2012 21:39:50 UNN12 364 GRIFFIN, KEVIN C 7619  
UNN12 OS 364 GRIFFIN, KEVIN C 7619  
VEH:B5766 ID:B5766

12-08-2012 21:39:59 1C34 3529 CABRERA, ROSALIA 0723  
1C34 ER 3529 CABRERA, ROSALIA 0723 DROP  
OFF LOC#1 SM 0.0 W/4

12-08-2012 21:42:36 K98 32 AZEVEDO, JOHN S 3051 Status Change  
K98 ER 32 AZEVEDO, JOHN S 3051 REPORT  
STATION

12-08-2012 21:47:41 1C28 3718 ELLIOTT, KELLEY 0394 Status Change  
1C28 ER 3718 ELLIOTT, KELLEY 0394 P2

12-08-2012 21:48:56 K98 32 AZEVEDO, JOHN S 3051 Status Change  
K98 OS 32 AZEVEDO, JOHN S 3051

12-08-2012 21:48:58 K98 32 AZEVEDO, JOHN S 3051 Status Change  
K98 IS 32 AZEVEDO, JOHN S 3051

12-08-2012 21:50:29 CS1 896 PRINCE, TAMMY 6131 Status Change  
UNN1 IS 1069 WATSON, JEFF 4093 ([REDACTED])

12-08-2012 21:50:29 CS1 896 PRINCE, TAMMY 6131 Status Change  
UNN12 IS 364 GRIFFIN, KEVIN C 7619

12-08-2012 21:50:29 CS1 896 PRINCE, TAMMY 6131 Status Change  
UNN10 IS 109 BROWN, GREG 3076 ([REDACTED])

SACRAMENTO POLICE DEPARTMENT  
COMPLAINT HARDCOPY

CP 2012 - 332558

Reported: Dec-08-2012 12:32:50

12-08-2012 21:50:30 CS1 896 PRINCE, TAMMY 6131 Status Change  
UNN13 IS 168 CHANDLER, VANCE M 4008

12-08-2012 21:50:30 CS1 896 PRINCE, TAMMY 6131 Status Change  
UNN14 IS 2994 EDGERTON, TODD 3131

12-08-2012 21:50:47 CS1 896 PRINCE, TAMMY 6131 Status Change  
UNN15 IS 3149 DAVIS, ANDREW 0853

12-08-2012 21:50:47 CS1 896 PRINCE, TAMMY 6131 Status Change  
UNN21 IS 313 GALIPEAU, MICHAEL 0316 ( )

12-08-2012 21:50:48 CS1 896 PRINCE, TAMMY 6131 Status Change  
UNN24 IS 570 LIGHTFOOT, JOHN 3050

12-08-2012 21:50:48 CS1 896 PRINCE, TAMMY 6131 Status Change  
UNN23 IS 511 KIRTLAN, JOSHUA 3122

12-08-2012 21:50:48 CS1 896 PRINCE, TAMMY 6131 Status Change  
UNN22 IS 80 BLESSING, MICHAEL 0266

12-08-2012 21:51:07 CS1 896 PRINCE, TAMMY 6131 Status Change  
UNN27 IS 3700 YOUNG, ROBERT 3102

12-08-2012 21:51:07 CS1 896 PRINCE, TAMMY 6131 Status Change  
UNN25 IS 3266 ROSIN, DOUGLAS 3021 (-)

12-08-2012 21:51:08 CS1 896 PRINCE, TAMMY 6131 Status Change  
UNN31 IS 3027 GREEN, ADAM P 5130

12-08-2012 21:51:08 CS1 896 PRINCE, TAMMY 6131 Status Change  
UNN33 IS 1046 VILLEGAS, AURELIO 3124

12-08-2012 21:51:45 CS1 896 PRINCE, TAMMY 6131 Call Remark  
PER UNN1,ALL SWAT CAN BE CLR'D AND LOGGED  
OFF....TAKEN CARE OF

12-08-2012 21:53:32 K91 627 MATTHEW, LINDA 0353 Status Change  
K91 IS 627 MATTHEW, LINDA 0353

12-08-2012 21:54:20 2C67 3841 GATES, CURTIS 0257 Status Change  
2C67 IS 3841 GATES, CURTIS 0257

12-08-2012 21:54:20 2C67 3841 GATES, CURTIS 0257 Status Change  
2C67 IS 3937 BRIGGS, SABRINA 3025

12-08-2012 21:55:15 2C31 603 MADSEN, ERIC 0421  
2C31 OS 603 MADSEN, ERIC 0421

12-08-2012 21:55:15 2C31 603 MADSEN, ERIC 0421  
2C31 OS 3894 CLATTERBUCK, LORI 0473

12-08-2012 21:55:43 SR9 3681 EWING, P 6080 ( ) Status Change  
3SM3 OS 688 MORRIS, JEFFREY 3023 8349  
FOLSOM BLVD

12-08-2012 22:01:07 1C34 3529 CABRERA, ROSALIA 0723

SACRAMENTO POLICE DEPARTMENT  
COMPLAINT HARDCOPY

CP 2012 - 332558

Reported: Dec-08-2012 12:32:50

1C34 OS 3529 CABRERA, ROSALIA 0723 EM @  
#1 11.7 DROPPED OFF 1

12-08-2012 22:03:25 1C34 3529 CABRERA, ROSALIA 0723  
1C34 ER 3529 CABRERA, ROSALIA 0723 LOC #2  
[REDACTED] W/ 3 SM 11.8

12-08-2012 22:03:29 1C34 3529 CABRERA, ROSALIA 0723 RMS Query  
RMS Q LOC-LOC: [REDACTED] MUN:1 REC:Y CAD:Y  
TYPE:H PKI:N

12-08-2012 22:04:43 1C28 3718 ELLIOTT, KELLEY 0394 Status Change  
1C28 IS 3718 ELLIOTT, KELLEY 0394

12-08-2012 22:06:32 1C35 3481 MCGOVERN, SHAUN 0892 Status Change  
1C35 IS 3481 MCGOVERN, SHAUN 0892

12-08-2012 22:07:55 SR9 3681 EWING, P 6080 ([REDACTED])  
MTR65 OS 3217 DUCKHAM, JEREMY 0676 ([REDACTED])  
FOLSOM/JULLIARD, TRAFFIC CONTROL

12-08-2012 22:23:59 3SM3 688 MORRIS, JEFFREY 3023 Status Change  
3SM3 IS 688 MORRIS, JEFFREY 3023

12-08-2012 22:28:29 1C34 3529 CABRERA, ROSALIA 0723 RMS Query  
RMS Q LOC-LOC: [REDACTED] MUN:1 REC:Y  
CAD:Y TYPE:H PKI:N

12-08-2012 22:31:22 1C34 3529 CABRERA, ROSALIA 0723 RMS Query  
RMS Q LOC-LOC: [REDACTED] MUN:2 REC:Y  
CAD:Y TYPE:H PKI:N

12-08-2012 22:34:03 2C37 3609 MABUNGA, ROBERT 0300 Status Change  
2C37 IS 3609 MABUNGA, ROBERT 0300

12-08-2012 22:34:03 2C37 3609 MABUNGA, ROBERT 0300 Status Change  
2C37 IS 3631 MORRISON, KELLY 0404

12-08-2012 22:36:37 1C34 3529 CABRERA, ROSALIA 0723  
1C34 OS 3529 CABRERA, ROSALIA 0723 LOC #2  
EM 34.7

12-08-2012 22:37:51 1C34 3529 CABRERA, ROSALIA 0723  
1C34 ER 3529 CABRERA, ROSALIA 0723 [REDACTED]  
[REDACTED] W/2 SM 34.7

12-08-2012 22:46:28 SD1 3488 BINGHAM, RICHELLE 6075 Call Remark  
1C34...SSD HAS BEEN ADV UNIT ER TO DROP OFF 2  
PEOPLE TO [REDACTED] ...SSD LOG # 886...PLS  
ADV SSD WHEN UNIT IS CLR

12-08-2012 22:51:32 SD14 3566 TAYLOR, RICHARD 6040 Call Remark  
EMP [REDACTED], PH# [REDACTED] -- WOULD LIKE A CB  
WHEN HE IS ABLE TO COME BACK TO THE SCENE AND  
PICK UP HIS VEH -- HE IS AN EMP AT THE JACK IN  
THE BOX WHO WAS HERE DURING THE INCIDENT

SACRAMENTO POLICE DEPARTMENT  
COMPLAINT HARDCOPY

CP 2012 - 332558

Reported: Dec-08-2012 12:32:50

12-08-2012 22:56:36 1C34 3529 CABRERA, ROSALIA 0723  
1C34 OS 3529 CABRERA, ROSALIA 0723 LOC #3  
EM 42.5

12-08-2012 22:57:45 1C34 3529 CABRERA, ROSALIA 0723  
1C34 ER 3529 CABRERA, ROSALIA 0723 P3

12-08-2012 23:04:58 1C34 3529 CABRERA, ROSALIA 0723  
1C34 OS 3529 CABRERA, ROSALIA 0723 RR @  
FRENCH RD/GERBER

12-08-2012 23:06:44 2C31 603 MADSEN, ERIC 0421 RMS Query  
RMS Q PERS-NAME: [REDACTED] G1: [REDACTED] SEX:F  
STATE:CA REC:Y EXIN:Y EXTE:Y EXIM:N EXTD:Y  
PKI:N TONC:Y UNIT:2C31

12-08-2012 23:06:44 2C31 603 MADSEN, ERIC 0421 External Query  
EXT Q PERS-NAME: [REDACTED] G1: [REDACTED] SEX:F  
STATE:CA REC:Y EXIN:Y EXTE:Y EXIM:N EXTD:Y  
PKI:N TONC:Y UNIT:2C31

12-08-2012 23:07:41 2C31 603 MADSEN, ERIC 0421 RMS Query  
RMS Q PERS-NAME: [REDACTED] G1: [REDACTED] SEX:F RACE:W  
STATE:CA REC:Y EXIN:Y EXTE:Y EXIM:N EXTD:Y  
PKI:N TONC:Y UNIT:2C31

12-08-2012 23:07:41 2C31 603 MADSEN, ERIC 0421 External Query  
EXT Q PERS-NAME: [REDACTED] G1: [REDACTED] SEX:F RACE:W  
STATE:CA REC:Y EXIN:Y EXTE:Y EXIM:N EXTD:Y  
PKI:N TONC:Y UNIT:2C31

12-08-2012 23:10:40 1C34 3529 CABRERA, ROSALIA 0723 Status Change  
1C34 ER 3529 CABRERA, ROSALIA 0723 P3

12-08-2012 23:17:26 1C34 3529 CABRERA, ROSALIA 0723 Call Remark  
CONTACTED [REDACTED] AND ADV TO CALL BACK IN A  
FEW HRS/WAIT TILL TOMORROW MORNING TO P/U THE  
VEHICLE

12-08-2012 23:26:04 SR9 3681 EWING, P 6080 ([REDACTED])  
MTR64 OS 3602 BELL, JOHN 7730 300 RICHARDS

12-08-2012 23:27:48 1C34 3529 CABRERA, ROSALIA 0723 Status Change  
1C34 OS 3529 CABRERA, ROSALIA 0723

12-08-2012 23:27:59 1C34 3529 CABRERA, ROSALIA 0723 Call Remark  
OBS TO RPT

12-08-2012 23:28:09 1C34 3529 CABRERA, ROSALIA 0723 Status Change  
1C34 IS 3529 CABRERA, ROSALIA 0723

12-08-2012 23:29:52 CS1 896 PRINCE, TAMMY 6131 Status Change  
STF21 IS 1039 VASSALLO, ADAM 3047

12-08-2012 23:33:09 SR11 3032 FORD, MICHAEL R046  
IV170 OS 277 FAN, JOHN 0815 5770 FREEPORT  
BLVD (V)

SACRAMENTO POLICE DEPARTMENT  
COMPLAINT HARDCOPY

CP 2012 - 332558

Reported: Dec-08-2012 12:32:50

12-08-2012 23:36:48 2C31 603 MADSEN, ERIC 0421 External Query  
EXT Q PERS-NAME: [REDACTED] G1: [REDACTED] DOB: [REDACTED]  
SEX:M STATE:CA REC:Y EXTN:Y EXTE:Y EXTIM:N  
EXTD:Y PKI:N TONC:Y UNIT:2C31

12-08-2012 23:36:48 2C31 603 MADSEN, ERIC 0421 RMS Query  
RMS Q PERS-NAME: [REDACTED] G1: [REDACTED] DOB: [REDACTED]  
SEX:M STATE:CA REC:Y EXTN:Y EXTE:Y EXTIM:N  
EXTD:Y PKI:N TONC:Y UNIT:2C31

12-08-2012 23:41:02 MTR64 3602 BELL, JOHN 7730  
MTR64 OS 3602 BELL, JOHN 7730 VEH:B6001  
ID:B6001

12-08-2012 23:47:32 SR12 4010 GRESHAM, KATHRYN 6156  
IV113 OS 999 TOEL, W 0276 ([REDACTED]) HOJ

12-08-2012 23:47:57 SD12 3751 LIGHT, NICOLE 6051 Call Remark  
IV62 CALLED IN IS XPORTING 2 FEMS TO [REDACTED] FOLSOM  
SM 0

12-08-2012 23:48:03 SR9 3681 EWING, P 6080 ([REDACTED]) Status Change  
1A35 DP 3991 DAVIS, RYAN G. 0896 8349  
FOLSOM BLVD

12-08-2012 23:48:35 MTR64 3602 BELL, JOHN 7730 Status Change  
MTR64 IS 3602 BELL, JOHN 7730

12-08-2012 23:48:37 1A35 3991 DAVIS, RYAN G. 0896  
1A35 ER 3991 DAVIS, RYAN G. 0896

12-08-2012 23:49:54 SR9 3681 EWING, P 6080 ([REDACTED]) Status Change  
IV62 ER 3178 RICHARDSON, S 0621 ([REDACTED])  
8637 FOLSOM,SM 0

12-08-2012 23:50:23 1A35 3991 DAVIS, RYAN G. 0896 RMS Query  
RMS Q VEH-LIC: [REDACTED] STATE: [REDACTED] TYPE:PC YR:2012  
VINFO:4 REC:Y EXIN:Y EXTE:Y EXTP:Y PKI:N  
TONC:Y UNIT:1A35

12-08-2012 23:50:23 1A35 3991 DAVIS, RYAN G. 0896 External Query  
EXT Q VEH-LIC: [REDACTED] STATE: [REDACTED] TYPE:PC YR:2012  
VINFO:4 REC:Y EXIN:Y EXTE:Y EXTP:Y PKI:N  
TONC:Y UNIT:1A35

12-08-2012 23:50:54 UNN20 725 NICHOLS, MICHAEL A 7720 Status Change  
UNN20 IS 725 NICHOLS, MICHAEL A 7720

12-08-2012 23:55:06 SD4 4009 KREYDICH, NILA 6060 ([REDACTED])  
NEG32 OS 695 MOUZIS, CHRISTOPHER 3006 ([REDACTED]) HOJ

12-08-2012 23:57:35 CS3 3451 GREEN, MINDY A. 6028 Status Change  
IV24 IS 2989 MONK, DANIEL 5025

12-09-2012 00:00:06 SR11 3032 FORD, MICHAEL R046 Status Change  
IV54 ER 8 ALONSO, BRYAN 0803 5770

SACRAMENTO POLICE DEPARTMENT  
COMPLAINT HARDCOPY

CP 2012 - 332558

Reported: Dec-08-2012 12:32:50

**FREEMONT BLVD (V)**

12-09-2012 00:00:16 1A35 3991 DAVIS, RYAN G. 0896  
**1A35 OS 3991 DAVIS, RYAN G. 0896**

12-09-2012 00:01:54 1C38 3866 STREICH, KELLI 0247 Status Change  
**1C38 ER 3866 STREICH, KELLI 0247 RICHARDS**

12-09-2012 00:03:36 2C31 603 MADSEN, ERIC 0421 Status Change  
**2C31 ER 3894 CLATTERBUCK, LORI 0473 300**

12-09-2012 00:03:36 2C31 603 MADSEN, ERIC 0421 Status Change  
**2C31 ER 603 MADSEN, ERIC 0421 300**

12-09-2012 00:11:48 1C38 3866 STREICH, KELLI 0247 Status Change  
**1C38 IS 3866 STREICH, KELLI 0247**

12-09-2012 00:12:20 SD12 3751 LIGHT, NICOLE 6051 Call Remark  
**IV62 CALLED IN O/S THE LOCATION CHANGE EM IS  
16.1..AND NOW ENRT TO HOJ**

12-09-2012 00:12:32 SD12 3751 LIGHT, NICOLE 6051 Call Remark  
**IV62 ADV'D WILL CB WHEN SHE IS EOW**

12-09-2012 00:13:19 SR12 4010 GRESHAM, KATHRYN 6156 Status Change  
**IV54 OS 8 ALONSO, BRYAN 0803 HOJ**

12-09-2012 00:15:08 SR9 3681 EWING, P 6080 ( ) Status Change  
**MTR65 IS 3217 DUCKHAM, JEREMY 0676 ( )**

12-09-2012 00:19:21 SR9 3681 EWING, P 6080 ( )  
**IV113 OS 999 TOEL, W 0276 ( ) HOJ**

12-09-2012 00:25:22 2C31 603 MADSEN, ERIC 0421 Status Change  
**2C31 OS 3894 CLATTERBUCK, LORI 0473**

12-09-2012 00:25:22 2C31 603 MADSEN, ERIC 0421 Status Change  
**2C31 OS 603 MADSEN, ERIC 0421**

12-09-2012 00:25:23 2C31 603 MADSEN, ERIC 0421 Status Change  
**2C31 IS 3894 CLATTERBUCK, LORI 0473**

12-09-2012 00:25:23 2C31 603 MADSEN, ERIC 0421 Status Change  
**2C31 IS 603 MADSEN, ERIC 0421**

12-09-2012 00:35:01 SD2 3836 FURNISS, KELLY 6036 Call Remark  
**GOT A CALL FROM EMP THAT WAS INSIDE 925 DURING  
THIS TODAY, HE AND HIS MGR HAVE BELONGINGS  
INSIDE, INCLUDING MEDICATION HIS MGR NEEDS, AND  
BOTH THEIR VEHS ARE STILL HERE... WOULD LIKE CB  
FROM UNIT ADV'ING IF /WHEN THEY CAN COME GET  
THEIR THINGS AND VEHS: ( )**

12-09-2012 00:42:34 1A35 3991 DAVIS, RYAN G. 0896 RMS Query  
**RMS Q RPT-TYPE:GO RYR:2012 RNM:316345 PKI:N**

12-09-2012 00:42:54 CS1 896 PRINCE, TAMMY 6131 Status Change

SACRAMENTO POLICE DEPARTMENT  
COMPLAINT HARDCOPY

CP 2012 - 332558

Reported: Dec-08-2012 12:32:50

IV170 IS 277 FAN, JOHN 0815

12-09-2012 00:42:54 CS1 896 PRINCE, TAMMY 6131 Status Change  
IV173 IS 477 JOHNSON, M 0706 ( )

12-09-2012 00:42:54 CS1 896 PRINCE, TAMMY 6131 Status Change  
IV146 IS 130 BURKE, DANIEL 0474 ( )

12-09-2012 00:42:54 CS1 896 PRINCE, TAMMY 6131 Status Change  
IV140 IS 31 AYERS, SHAWN E 3002

12-09-2012 00:42:54 CS1 896 PRINCE, TAMMY 6131 Status Change  
IV113 IS 999 TOEL, W 0276 ( )

12-09-2012 00:44:07 CS1 896 PRINCE, TAMMY 6131 Status Change  
IV62 IS 3178 RICHARDSON, S 0621 ( )

12-09-2012 00:44:07 CS1 896 PRINCE, TAMMY 6131 Status Change  
IV54 IS 8 ALONSO, BRYAN 0803

12-09-2012 00:44:07 CS1 896 PRINCE, TAMMY 6131 Status Change  
IV4 IS 261 EKLUND, JUSTIN 5035

12-09-2012 00:44:07 CS1 896 PRINCE, TAMMY 6131 Status Change  
IV27 IS 268 ENRIQUEZ, F 3020 ( )

12-09-2012 00:44:08 CS1 896 PRINCE, TAMMY 6131 Status Change  
NEG31 IS 3430 LONGANECKER, DANIL 3017

12-09-2012 00:44:27 CS1 896 PRINCE, TAMMY 6131 Status Change  
STF10 IS 846 RISLEY, DAVID 5010

12-09-2012 00:44:27 CS1 896 PRINCE, TAMMY 6131 Status Change  
NEG35 IS 602 MACLAFFERTY, SCOTT 3065

12-09-2012 00:44:27 CS1 896 PRINCE, TAMMY 6131 Status Change  
NEG32 IS 695 MOUZIS, CHRISTOPHER 3006 ( )

12-09-2012 00:44:32 1A35 3991 DAVIS, RYAN G. 0896 RMS Query  
RMS Q PERS-NAME: G1: DOB:  
SEX:F RACE:A STATE:CA REC:Y EXIN:Y EXIE:Y  
EXTM:N EXTD:Y PKI:N TONC:Y UNIT:1A35

12-09-2012 00:44:33 1A35 3991 DAVIS, RYAN G. 0896 External Query  
EXT Q PERS-NAME: G1: DOB:  
SEX:F RACE:A STATE:CA REC:Y EXIN:Y EXIE:Y  
EXTM:N EXTD:Y PKI:N TONC:Y UNIT:1A35

12-09-2012 00:45:10 CS1 896 PRINCE, TAMMY 6131 Call Remark  
PER SGT ENRIQUEZ, ALL DETS EXCEPT IV10 AND IV145  
CLR AND EOW.....IV10 AND IV145 STILL AT THE SCENE

12-09-2012 00:53:10 SR9 3681 EWING, P 6080 ( ) Status Change  
1A37 ER 3903 GRESHAM, JONATHAN 0509 8349  
FOLSOM BLVD

12-09-2012 01:00:15 1A37 3903 GRESHAM, JONATHAN 0509 Status Change



SACRAMENTO POLICE DEPARTMENT  
COMPLAINT HARDCOPY

CP 2012 - 332558

Reported: Dec-08-2012 12:32:50

1A37 IS 3903 GRESHAM, JONATHAN 0509

12-09-2012 01:01:32 SD4 4009 KREYDICH, NILA 6060 ( ) Call Remark  
PIO2 OR IV10\*\*\*\*\*HAVE A BAIL AGENT LL WHO  
WAS INV'D IN THIS CALL.. PH  
\*\*\*\* RE HIS WPN THAT WAS RETURNED..  
AWAITING CALL..

12-09-2012 01:15:29 CS3 3451 GREEN, MINDY A. 6028 Call Remark  
CONTACTED IV10\*\* SHE WILL BE FIGURING OUT WHO  
WILL HANDLE THE PHONE CALL TO BAIL AGENT AND WILL  
CB WITH INFO

12-09-2012 01:25:24 CS1 896 PRINCE, TAMMY 6131 Status Change  
PIO2 IS 3319 MORSE, DOUGLAS 3121

12-09-2012 01:26:44 SD4 4009 KREYDICH, NILA 6060 ( ) Call Remark  
FOR THE PH MSG FROM THE BAIL AGENT.. HE WANTED TO  
SPEAK TO SGT RE HIS WPN THAT WAS RETURNED..  
HOWEVER AFTER IT WAS RETURN HE INSPECTED IT AND  
THERE IS DAMAGE ON THE MUZZLE THAT WASNT THERE  
BEFORE AND WANTED TO SPT TO LT OR SGT ABOUT IT

12-09-2012 01:45:20 SR11 3836 FURNISS, KELLY 6036 Status Change  
IV10 IS 285 STIGERTS, MARNIE J 4110

12-09-2012 01:46:42 SR4 3848 WARD, STACY 6069 Call Remark  
SSD UNITS THAT WERE ON CALL.. LANCASTER/662...  
MAGGINI/183... PROKOPCHUK/768... CROSBY/1393...  
EPPERSON/721... HATFIELD/692... BEESON/1440...  
FORMOLI/1315... MADRIAGA/1337... SGT  
ROGERS/104... LT GONZALEZ/45... LT MASSA/10

12-09-2012 01:59:46 CS1 896 PRINCE, TAMMY 6131 Call Remark  
\*\* IV145 \*\*\*...IV145 REQ BOARD UP CREW FOR 2  
WINDOWS, APPROX 4 FT X 8 FT AND ONE STANDARD GLASS  
DOOR.....CITY OP GIVEN IV145'S INFO AND WILL  
HAVE CREW CALL HIM

12-09-2012 02:04:42 1A35 3991 DAVIS, RYAN G. 0896 RMS Query  
RMS Q LOC-LOC:2801 L ST TYPE:H MUN:1 CAD:Y  
REC:Y PKI:N

12-09-2012 02:05:49 1A35 3991 DAVIS, RYAN G. 0896 RMS Query  
RMS Q LOC-LOC: APT:  
MUN:1 REC:Y CAD:Y TYPE:H PKI:N

12-09-2012 03:47:11 1A35 3991 DAVIS, RYAN G. 0896 RMS Query  
RMS Q LOC-LOC: MUN:1 REC:Y CAD:Y  
TYPE:H PKI:N

12-09-2012 04:03:26 1A35 3991 DAVIS, RYAN G. 0896 Call Remark  
MANAGER PHONE #

12-09-2012 04:15:11 SR11 3836 FURNISS, KELLY 6036 Status Change  
1A37 ER 3903 GRESHAM, JONATHAN 0509 8349  
FOLSOM BLVD

SACRAMENTO POLICE DEPARTMENT  
COMPLAINT HARDCOPY

CP 2012 - 332558

Reported: Dec-08-2012 12:32:50

12-09-2012 04:15:29 SR11 3836 FURNISS, KELLY 6036 Status Change  
1A37 IS 3903 GRESHAM, JONATHAN 0509  
PREEMPT

12-09-2012 04:22:10 SR11 3836 FURNISS, KELLY 6036 Status Change  
IV145 IS 510 KIRTLAN, JASON 3004

12-09-2012 04:32:48 SR11 3836 FURNISS, KELLY 6036 Special Service Request  
(RC) RADIO COORD: RC,CS1,OWNER OF JACK IN THE BOX  
IS REQ'ING HYGENTEK COME OUT PLS,PER 1A35

12-09-2012 04:36:32 CS1 896 PRINCE, TAMMY 6131 Call Remark  
\*\* 1A35 \*\* HYGENTEC ADV'D,WILL BE ENRT....NORMAL  
ETA IS APPROX 30-45 MINS

12-09-2012 05:17:57 1A35 3991 DAVIS, RYAN G. 0896 Status Change  
1A35 ER 3991 DAVIS, RYAN G. 0896 PROPERTY

12-09-2012 05:33:40 1A35 3991 DAVIS, RYAN G. 0896 Status Change  
1A35 OS 3991 DAVIS, RYAN G. 0896

12-09-2012 05:35:00 1A35 3991 DAVIS, RYAN G. 0896 Status Change  
1A35 IS 3991 DAVIS, RYAN G. 0896

12-09-2012 05:35:00 1A35 3991 DAVIS, RYAN G. 0896 Call Cleared  
1A35 IS 3991 DAVIS, RYAN G. 0896 CLEARED  
CASE SA332558 FOUNDED-Y REPORT-N CLEARED BY-A  
FINAL-211P BOLO-N STUDY FLAG- DONE FINALLY

12-09-2012 14:07:10 SR12 3508 YONEMURA, JENNIFER 6023 Call Update  
Related Call: ADDED RELATED:SA12-333418

12-09-2012 14:09:05 SR12 3508 YONEMURA, JENNIFER 6023 Call Update  
Related Call: ADDED RELATED:SA12-333433

12-10-2012 15:09:10 SR9 639 MUDRON, DARLENE 6158 ( ) Call Update  
Related Call: ADDED FOLLOWUP:SA12-334265

12-12-2012 16:02:38 CS1 248 SOUTHWARD, KAMERON 6159 Call Update  
History viewed: SA12-332647 FROM SA12-332558

12-13-2012 15:14:42 CDM3 CADAD6 CAD ADMINISTRATOR 6 Call Update  
Reporting Officer2: SA TO:

Dispatch Information

Backup Unit: 1A35 Type:PT 3991 DAVIS, RYAN G. 0896  
Dispatched: Dec-08-2012 23:48:03  
En Route : Dec-09-2012 05:17:57  
On Scene : Dec-09-2012 05:33:40  
In Service: Dec-09-2012 05:35:00

Backup Unit: 1A37 Type:PT 3903 GRESHAM, JONATHAN 0509  
Dispatched: Dec-09-2012 00:53:10  
En Route : Dec-09-2012 00:53:10

SACRAMENTO POLICE DEPARTMENT  
COMPLAINT HARDCOPY

CP 2012 - 332558

Reported: Dec-08-2012 12:32:50

In Service: Dec-09-2012 01:00:15

Backup Unit: 1A37 Type:PT 3903 GRESHAM, JONATHAN 0509

Dispatched: Dec-09-2012 04:15:11

En Route : Dec-09-2012 04:15:11

In Service: Dec-09-2012 04:15:29

Backup Unit: 1B18 Type:PT 3128 DUCKHAM, NATALIE 0830

Dispatched: Dec-08-2012 12:36:40

En Route : Dec-08-2012 12:36:40

On Scene : Dec-08-2012 12:48:42

In Service: Dec-08-2012 16:55:32

Backup Unit: 1B28 Type:PT 3666 HAWLEY, AMBER 0216 ( )

Dispatched: Dec-08-2012 12:46:25

En Route : Dec-08-2012 16:49:23

On Scene : Dec-08-2012 17:00:34

In Service: Dec-08-2012 17:52:59

Backup Unit: 1B29 Type:PT 3090 MARKS, DARREN 0236 ( )

Dispatched: Dec-08-2012 12:43:02

En Route : Dec-08-2012 12:43:02

On Scene : Dec-08-2012 12:53:02

In Service: Dec-08-2012 17:55:28

Backup Unit: 1B31 Type:PT 3678 STRAUTMAN, TIMOTHY 0397

Dispatched: Dec-08-2012 12:40:07

En Route : Dec-08-2012 12:40:07

On Scene : Dec-08-2012 12:47:53

In Service: Dec-08-2012 16:15:23

Backup Unit: 1B32 Type:PT 4013 KNOBLOCK, NICHOLAS 0239

Dispatched: Dec-08-2012 12:34:19

En Route : Dec-08-2012 12:34:19

In Service: Dec-08-2012 12:34:20

Backup Unit: 1B32 Type:PT 4013 KNOBLOCK, NICHOLAS 0239

Dispatched: Dec-08-2012 12:34:28

En Route : Dec-08-2012 12:34:28

On Scene : Dec-08-2012 12:50:57

In Service: Dec-08-2012 17:44:05

Backup Unit: 1B34 Type:PR 1072 WEBB, BRIAN 0762

Dispatched: Dec-08-2012 12:38:42

En Route : Dec-08-2012 12:38:42

On Scene : Dec-08-2012 12:49:58

In Service: Dec-08-2012 15:37:39

Backup Unit: 1B35 Type:PT 1026 BAKER, DEE 7754

Dispatched: Dec-08-2012 12:33:50

En Route : Dec-08-2012 17:20:24

On Scene : Dec-08-2012 17:32:05

In Service: Dec-08-2012 17:32:08

Backup Unit: 1B37 Type:PT 3370 MANTELL, CHARLES 3109

Dispatched: Dec-08-2012 12:36:02

En Route : Dec-08-2012 17:18:44

SACRAMENTO POLICE DEPARTMENT  
COMPLAINT HARDCOPY

CP 2012 - 332558

Reported: Dec-08-2012 12:32:50

On Scene : Dec-08-2012 17:32:01  
In Service: Dec-08-2012 18:38:43

Backup Unit: 1B39 Type:PT 4046 LEMOINE, ALEX 0225  
Dispatched: Dec-08-2012 12:35:38  
En Route : Dec-08-2012 12:35:38  
On Scene : Dec-08-2012 12:43:07  
In Service: Dec-08-2012 17:00:17

Backup Unit: 1B44 Type:PT 3536 MCPHAIL, MATTHEW 3144  
Dispatched: Dec-08-2012 13:38:51  
En Route : Dec-08-2012 17:20:59  
On Scene : Dec-08-2012 17:27:03  
In Service: Dec-08-2012 17:48:30

Backup Unit: 1B63 Type:PT 4027 SMITH, JOSHUA C 0650  
Dispatched: Dec-08-2012 14:01:09  
En Route : Dec-08-2012 17:29:49  
On Scene : Dec-08-2012 17:42:58  
In Service: Dec-08-2012 17:42:59

Backup Unit: 1B64 Type:PT 107 BROWN, EDWARD P 7714  
Dispatched: Dec-08-2012 12:34:20  
En Route : Dec-08-2012 12:34:27  
On Scene : Dec-08-2012 12:49:58  
In Service: Dec-08-2012 17:33:29

Backup Unit: 1B65 Type:PT 3019 WILHITE, KURT 3019  
Dispatched: Dec-08-2012 12:34:20  
En Route : Dec-08-2012 15:28:21  
On Scene : Dec-08-2012 15:46:50  
In Service: Dec-08-2012 15:46:59

Backup Unit: 1B67 Type:PT 699 MULLIGAN, PATRICK 7760  
Dispatched: Dec-08-2012 12:50:35  
En Route : Dec-08-2012 15:27:07  
On Scene : Dec-08-2012 15:40:52  
In Service: Dec-08-2012 18:24:19

Backup Unit: 1B69 Type:PT 528 LAFLAMME, KEITH 0410 ( )  
Dispatched: Dec-08-2012 12:35:48  
En Route : Dec-08-2012 16:39:03  
On Scene : Dec-08-2012 16:53:31  
In Service: Dec-08-2012 17:40:19

Backup Unit: 1C24 Type:PT 3607 DAVIS, STEVEN J. 0234  
Dispatched: Dec-08-2012 15:03:00  
En Route : Dec-08-2012 15:03:00  
On Scene : Dec-08-2012 15:21:24  
In Service: Dec-08-2012 19:59:14

Backup Unit: 1C28 Type:PT 3718 ELLIOTT, KELLEY 0394  
Dispatched: Dec-08-2012 14:59:39  
En Route : Dec-08-2012 21:47:41  
On Scene : Dec-08-2012 15:05:43  
In Service: Dec-08-2012 22:04:43

SACRAMENTO POLICE DEPARTMENT  
COMPLAINT HARDCOPY

CP 2012 - 332558

Reported: Dec-08-2012 12:32:50

Backup Unit: 1C34 Type:PT 3529 CABRERA, ROSALIA 0723  
Dispatched: Dec-08-2012 15:06:51  
En Route : Dec-08-2012 23:10:40  
On Scene : Dec-08-2012 23:27:48  
In Service: Dec-08-2012 23:28:09

Backup Unit: 1C35 Type:PT 3481 MCGOVERN, SHAUN 0892  
Dispatched: Dec-08-2012 14:47:25  
En Route : Dec-08-2012 14:47:25  
On Scene : Dec-08-2012 15:00:44  
In Service: Dec-08-2012 22:06:32

Backup Unit: 1C38 Type:PT 3866 STREICH, KELLI 0247  
Dispatched: Dec-08-2012 14:48:51  
En Route : Dec-09-2012 00:01:54  
On Scene : Dec-08-2012 15:03:34  
In Service: Dec-09-2012 00:11:48

Backup Unit: 1C63 Type:PT 869 TEURN, LO 0403  
Dispatched: Dec-08-2012 14:54:03  
En Route : Dec-08-2012 14:54:03  
On Scene : Dec-08-2012 15:12:20  
In Service: Dec-08-2012 18:51:58

Backup Unit: 1C63 Type:PT 869 TEURN, LO 0403  
Dispatched: Dec-08-2012 19:08:48  
En Route : Dec-08-2012 19:08:48  
On Scene : Dec-08-2012 19:13:42  
In Service: Dec-08-2012 19:38:57

Backup Unit: 1C68 Type:PT 3301 VASQUEZ, ALEX 0869  
Dispatched: Dec-08-2012 16:15:57  
En Route : Dec-08-2012 16:15:57  
On Scene : Dec-08-2012 17:44:09  
In Service: Dec-08-2012 19:36:02

Backup Unit: 1C69 Type:PT 3806 BYRON, RODERICK 0824  
Dispatched: Dec-08-2012 14:54:03  
En Route : Dec-08-2012 14:54:03  
On Scene : Dec-08-2012 14:57:42  
In Service: Dec-08-2012 20:13:48

Backup Unit: 2C31 Type:PT 603 MADSEN, ERIC 0421 3894 CLATTERBUCK, LORI 0473  
Dispatched: Dec-08-2012 21:08:20  
En Route : Dec-08-2012 21:11:16  
In Service: Dec-08-2012 21:13:12

Backup Unit: 2C31 Type:PT 603 MADSEN, ERIC 0421 3894 CLATTERBUCK, LORI 0473  
Dispatched: Dec-08-2012 21:16:43  
En Route : Dec-09-2012 00:03:36  
On Scene : Dec-09-2012 00:25:22  
In Service: Dec-09-2012 00:25:23

Backup Unit: 2C37 Type:PT 3609 MABUNGA, ROBERT 0300 3631 MORRISON, KELLY 0404  
Dispatched: Dec-08-2012 19:04:31  
En Route : Dec-08-2012 19:04:31  
On Scene : Dec-08-2012 19:05:56

SACRAMENTO POLICE DEPARTMENT  
COMPLAINT HARDCOPY

CP 2012 - 332558

Reported: Dec-08-2012 12:32:50

In Service: Dec-08-2012 19:22:47

Backup Unit: 2C37 Type:PT 3609 MABUNGA, ROBERT 0300 3631 MORRISON, KELLY 0404  
Dispatched: Dec-08-2012 19:23:41  
En Route : Dec-08-2012 19:23:41  
On Scene : Dec-08-2012 19:23:41  
In Service: Dec-08-2012 22:34:03

Backup Unit: 2C62 Type:PT 3864 HUGHES, LEVIN 0281 3862 MOK, CARLYLE 0615  
Dispatched: Dec-08-2012 16:28:16  
En Route : Dec-08-2012 16:28:16  
On Scene : Dec-08-2012 16:38:56  
In Service: Dec-08-2012 16:54:57

Backup Unit: 2C65 Type:PT 3859 LOPEZ, SAMUEL 0571 3870 WISEMAN, DANIEL 0346  
Dispatched: Dec-08-2012 16:15:57  
En Route : Dec-08-2012 16:15:57  
On Scene : Dec-08-2012 16:26:29  
In Service: Dec-08-2012 19:10:21

Backup Unit: 2C67 Type:PL 3841 GATES, CURTIS 0257 3937 BRIGGS, SABRINA 3025  
Dispatched: Dec-08-2012 16:16:36  
En Route : Dec-08-2012 16:16:36  
On Scene : Dec-08-2012 16:27:42  
In Service: Dec-08-2012 21:54:20

Backup Unit: 2SM1 Type:PS 802 POROLI, MICHAEL 3103 ( [REDACTED] )  
Dispatched: Dec-08-2012 13:25:02  
En Route : Dec-08-2012 13:25:02  
On Scene : Dec-08-2012 13:25:09  
In Service: Dec-08-2012 16:11:45

Backup Unit: 2SM3 Type:PS 580 LOMMORI, MICHAEL 7719  
Dispatched: Dec-08-2012 12:34:36  
En Route : Dec-08-2012 12:34:36  
On Scene : Dec-08-2012 12:50:52  
In Service: Dec-08-2012 18:31:12

Backup Unit: 2SM6 Type:PS 303 FREEMAN, PAUL 7767  
Dispatched: Dec-08-2012 12:36:13  
En Route : Dec-08-2012 12:36:13  
On Scene : Dec-08-2012 12:50:30  
In Service: Dec-08-2012 18:27:48

Backup Unit: 3SM3 Type:PS 688 MORRIS, JEFFREY 3023  
Dispatched: Dec-08-2012 14:34:53  
En Route : Dec-08-2012 14:34:53  
On Scene : Dec-08-2012 14:35:02  
In Service: Dec-08-2012 18:15:20

Backup Unit: 3SM3 Type:PS 688 MORRIS, JEFFREY 3023  
Dispatched: Dec-08-2012 21:55:43  
En Route : Dec-08-2012 21:55:43  
On Scene : Dec-08-2012 21:55:43  
In Service: Dec-08-2012 22:23:59

Backup Unit: AIR1 Type:HE 447 HUTCHINS, MICHAEL 4101 3599 SMART, DAVID 0884 ( [REDACTED] )

SACRAMENTO POLICE DEPARTMENT  
COMPLAINT HARDCOPY

CP 2012 - 332558

Reported: Dec-08-2012 12:32:50

Dispatched: Dec-08-2012 13:47:48  
En Route : Dec-08-2012 13:47:48  
On Scene : Dec-08-2012 14:11:40  
In Service: Dec-08-2012 15:52:20

Backup Unit: AIR21 Type:XX CHP21 CHP Fixed Wing Plane  
Dispatched: Dec-08-2012 14:26:07  
En Route : Dec-08-2012 14:26:07  
On Scene : Dec-08-2012 14:26:07  
In Service: Dec-08-2012 16:46:33

Backup Unit: BEAT3 Type:MT 1118 YEPES, JOSE 0547  
Dispatched: Dec-08-2012 12:54:12  
En Route : Dec-08-2012 12:54:12  
On Scene : Dec-08-2012 14:45:58  
In Service: Dec-08-2012 16:25:24

Prime Unit: BEAT4 Type:MT 3077 MARQUEZ, GUILLERMO 0847  
Dispatched: Dec-08-2012 12:54:13  
En Route : Dec-08-2012 12:54:13  
On Scene : Dec-08-2012 14:45:58  
In Service: Dec-08-2012 16:24:12

Backup Unit: COM1 Type:TD 1096 MCDANIEL, LATONYA J 6183  
Dispatched: Dec-08-2012 13:37:35  
En Route : Dec-08-2012 13:37:35  
On Scene : Dec-08-2012 14:45:45  
In Service: Dec-08-2012 17:15:40

Backup Unit: COM10 Type:TD 3848 WARD, STACY 6069  
Dispatched: Dec-08-2012 13:37:45  
En Route : Dec-08-2012 13:37:45  
On Scene : Dec-08-2012 14:45:45  
In Service: Dec-08-2012 16:48:14

Backup Unit: COM31 Type:TD 3965 LEY, AMANDA 6164  
Dispatched: Dec-08-2012 13:02:01  
En Route : Dec-08-2012 13:02:01  
On Scene : Dec-08-2012 14:45:45  
In Service: Dec-08-2012 16:18:09

Backup Unit: IV10 Type:DT 285 STIGERTS, MARNIE J 4110  
Dispatched: Dec-08-2012 16:55:44  
En Route : Dec-08-2012 16:55:44  
On Scene : Dec-08-2012 16:55:44  
In Service: Dec-09-2012 01:45:20

Backup Unit: IV113 Type:DT 999 TOEL, W 0276 ( )  
Dispatched: Dec-08-2012 17:17:19  
En Route : Dec-08-2012 19:13:35  
On Scene : Dec-08-2012 19:28:22  
In Service: Dec-09-2012 00:42:54

Backup Unit: IV133 Type:DT 3115 HARRINGTON, JAMES 4060  
Dispatched: Dec-08-2012 15:16:43  
En Route : Dec-08-2012 15:16:43  
In Service: Dec-08-2012 16:17:33

SACRAMENTO POLICE DEPARTMENT  
COMPLAINT HARDCOPY

CP 2012 - 332558

Reported: Dec-08-2012 12:32:50

Backup Unit: IV140 Type:DT 31 AYERS, SHAWN E 3002  
Dispatched: Dec-08-2012 17:14:16  
En Route : Dec-08-2012 19:28:54  
On Scene : Dec-08-2012 21:09:05  
In Service: Dec-09-2012 00:42:54

Backup Unit: IV145 Type:DT 510 KIRTLAN, JASON 3004  
Dispatched: Dec-08-2012 17:10:59  
En Route : Dec-08-2012 17:10:59  
On Scene : Dec-08-2012 17:10:59  
In Service: Dec-09-2012 04:22:10

Backup Unit: IV146 Type:DT 130 BURKE, DANIEL 0474 ( [REDACTED] )  
Dispatched: Dec-08-2012 17:13:40  
En Route : Dec-08-2012 17:13:40  
On Scene : Dec-08-2012 17:13:40  
In Service: Dec-09-2012 00:42:54

Backup Unit: IV170 Type:DT 277 FAN, JOHN 0815  
Dispatched: Dec-08-2012 15:45:38  
En Route : Dec-08-2012 15:45:38  
On Scene : Dec-08-2012 16:58:01  
In Service: Dec-09-2012 00:42:54

Backup Unit: IV173 Type:DT 477 JOHNSON, M 0706 ( [REDACTED] )  
Dispatched: Dec-08-2012 18:37:13  
En Route : Dec-08-2012 18:37:33  
On Scene : Dec-08-2012 18:52:24  
In Service: Dec-09-2012 00:42:54

Backup Unit: IV24 Type:DT 2989 MONK, DANIEL 5025  
Dispatched: Dec-08-2012 16:15:38  
En Route : Dec-08-2012 16:15:38  
On Scene : Dec-08-2012 19:00:21  
In Service: Dec-08-2012 23:57:35

Backup Unit: IV27 Type:DT 268 ENRIQUEZ, F 3020 ( [REDACTED] )  
Dispatched: Dec-08-2012 15:58:42  
En Route : Dec-08-2012 15:58:42  
On Scene : Dec-08-2012 16:52:37  
In Service: Dec-09-2012 00:44:07

Backup Unit: IV4 Type:DT 261 EKLUND, JUSTIN 5035  
Dispatched: Dec-08-2012 16:53:04  
En Route : Dec-08-2012 16:53:04  
On Scene : Dec-08-2012 16:53:04  
In Service: Dec-09-2012 00:44:07

Backup Unit: IV48 Type:DT 3206 KENSIC, KELLY 0742 ( [REDACTED] )  
Dispatched: Dec-08-2012 13:43:43  
En Route : Dec-08-2012 13:43:43  
On Scene : Dec-08-2012 13:43:43  
In Service: Dec-08-2012 16:41:32

Backup Unit: IV54 Type:DT 8 ALONSO, BRYAN 0803  
Dispatched: Dec-08-2012 17:18:35



SACRAMENTO POLICE DEPARTMENT  
COMPLAINT HARDCOPY

CP 2012 - 332558

Reported: Dec-08-2012 12:32:50

En Route : Dec-09-2012 00:00:06  
On Scene : Dec-09-2012 00:13:19  
In Service: Dec-09-2012 00:44:07

Backup Unit: IV62 Type:XX 3178 RICHARDSON, S 0621 ( )  
Dispatched: Dec-08-2012 16:46:04  
En Route : Dec-08-2012 23:49:54  
On Scene : Dec-08-2012 23:49:54  
In Service: Dec-09-2012 00:44:07

Backup Unit: IV90 Type:DT 412 HIGGINS, THOMAS 7616  
Dispatched: Dec-08-2012 15:59:23  
En Route : Dec-08-2012 15:59:23  
In Service: Dec-08-2012 16:12:44

Backup Unit: K91 Type:K9 627 MATTHEW, LINDA 0353  
Dispatched: Dec-08-2012 12:33:49  
En Route : Dec-08-2012 12:33:49  
On Scene : Dec-08-2012 12:50:22  
In Service: Dec-08-2012 21:53:32

Backup Unit: K910 Type:XX 990 THOMPSON, AARON 3140  
Dispatched: Dec-08-2012 13:06:47  
En Route : Dec-08-2012 13:06:47  
On Scene : Dec-08-2012 13:47:17  
In Service: Dec-08-2012 21:22:35

Backup Unit: K98 Type:K9 32 AZEVEDO, JOHN S 3051  
Dispatched: Dec-08-2012 13:43:46  
En Route : Dec-08-2012 21:42:36  
On Scene : Dec-08-2012 21:48:56  
In Service: Dec-08-2012 21:48:58

Backup Unit: LN10 Type:PS 218 DAVIS, DONALD 7602 ( )  
Dispatched: Dec-08-2012 13:36:52  
En Route : Dec-08-2012 13:36:52  
On Scene : Dec-08-2012 13:42:06  
In Service: Dec-08-2012 19:56:48

Backup Unit: LN26 Type:PS 483 JOY, DENNIS 5005 (-)  
Dispatched: Dec-08-2012 12:42:44  
En Route : Dec-08-2012 12:42:44  
In Service: Dec-08-2012 12:50:10

Backup Unit: LN26 Type:PS 483 JOY, DENNIS 5005 (-)  
Dispatched: Dec-08-2012 12:53:37  
En Route : Dec-08-2012 12:53:37  
On Scene : Dec-08-2012 12:56:14  
In Service: Dec-08-2012 19:18:11

Backup Unit: LN3 Type:PS 966 SWEENEY, THOMAS 4079 ( )  
Dispatched: Dec-08-2012 13:24:52  
En Route : Dec-08-2012 13:24:52  
On Scene : Dec-08-2012 13:54:41  
In Service: Dec-08-2012 17:04:54

Backup Unit: MTR64 Type:MC 3602 BELL, JOHN 7730

SACRAMENTO POLICE DEPARTMENT  
COMPLAINT HARDCOPY

CP 2012 - 332558

Reported: Dec-08-2012 12:32:50

Dispatched: Dec-08-2012 14:54:46  
En Route : Dec-08-2012 14:54:46  
On Scene : Dec-08-2012 15:08:18  
In Service: Dec-08-2012 23:48:35

Backup Unit: MTR65 Type:MC 3217 DUCKHAM, JEREMY 0676 ( )  
Dispatched: Dec-08-2012 14:48:16  
En Route : Dec-08-2012 14:48:16  
On Scene : Dec-08-2012 15:09:33  
In Service: Dec-09-2012 00:15:08

Backup Unit: NEG13 Type:DT 212 CURTIS, D 0814  
Dispatched: Dec-08-2012 14:30:34  
En Route : Dec-08-2012 14:30:34  
In Service: Dec-08-2012 16:29:36

Backup Unit: NEG14 Type:DT 174 CHESTERMAN, RONALD R 7793  
Dispatched: Dec-08-2012 13:18:12  
En Route : Dec-08-2012 13:18:12  
On Scene : Dec-08-2012 13:46:39  
In Service: Dec-08-2012 16:38:30

Backup Unit: NEG15 Type:DT 3533 ROBISON, BRADLEY O 3074  
Dispatched: Dec-08-2012 13:17:51  
En Route : Dec-08-2012 13:17:51  
On Scene : Dec-08-2012 13:37:32  
In Service: Dec-08-2012 17:24:35

Backup Unit: NEG31 Type:DT 3430 LONGANECKER, DANIL 3017  
Dispatched: Dec-08-2012 12:58:21  
En Route : Dec-08-2012 12:58:21  
On Scene : Dec-08-2012 17:38:59  
In Service: Dec-09-2012 00:44:08

Backup Unit: NEG32 Type:DT 695 MOUZIS, CHRISTOPHER 3006 ( )  
Dispatched: Dec-08-2012 13:53:57  
En Route : Dec-08-2012 13:53:57  
On Scene : Dec-08-2012 17:38:59  
In Service: Dec-09-2012 00:44:27

Backup Unit: NEG34 Type:DT 440 HUGHES, C 0718  
Dispatched: Dec-08-2012 13:11:05  
En Route : Dec-08-2012 13:11:05  
In Service: Dec-08-2012 16:34:43

Backup Unit: NEG35 Type:DT 602 MACLAFFERTY, SCOTT 3065  
Dispatched: Dec-08-2012 13:35:44  
En Route : Dec-08-2012 13:35:44  
On Scene : Dec-08-2012 13:35:44  
In Service: Dec-09-2012 00:44:27

Backup Unit: NEG40 Type:DT 1053 VOSKA, DOUGLAS 7736  
Dispatched: Dec-08-2012 13:02:13  
En Route : Dec-08-2012 13:02:13  
On Scene : Dec-08-2012 17:38:59  
In Service: Dec-08-2012 18:15:22

SACRAMENTO POLICE DEPARTMENT  
COMPLAINT HARDCOPY

CP 2012 - 332558

Reported: Dec-08-2012 12:32:50

Backup Unit: PIO2 Type:SD 3319 MORSE, DOUGLAS 3121  
Dispatched: Dec-08-2012 12:48:19  
En Route : Dec-08-2012 12:48:19  
On Scene : Dec-08-2012 14:46:16  
In Service: Dec-09-2012 01:25:24

Backup Unit: PS5 Type:PC PSO1 CONROY, ROBERT PSO1 ( )  
Dispatched: Dec-08-2012 12:46:54  
En Route : Dec-08-2012 12:46:54  
On Scene : Dec-08-2012 12:46:54  
In Service: Dec-08-2012 16:14:56

Backup Unit: RBT86 Type:SR 3499 LEY, FRANK 0567  
Dispatched: Dec-08-2012 12:38:52  
En Route : Dec-08-2012 12:38:52  
On Scene : Dec-08-2012 12:50:30  
In Service: Dec-08-2012 16:40:26

Backup Unit: SCT72 Type:SC 584 LOUI, MYRON 0745  
Dispatched: Dec-08-2012 12:43:23  
En Route : Dec-08-2012 12:43:23  
On Scene : Dec-08-2012 12:43:23  
In Service: Dec-08-2012 15:14:37

Backup Unit: SCT73 Type:SC 128 BURGER, GORDON 7746 ( )  
Dispatched: Dec-08-2012 12:43:18  
En Route : Dec-08-2012 12:43:18  
On Scene : Dec-08-2012 12:43:18  
In Service: Dec-08-2012 15:14:38

Backup Unit: STF10 Type:DT 847 RISLEY, JUSTIN 5002  
Dispatched: Dec-08-2012 15:55:14  
En Route : Dec-08-2012 15:55:14  
On Scene : Dec-08-2012 17:39:06  
In Service: Dec-09-2012 00:44:27

Backup Unit: STF21 Type:DT 1039 VASSALLO, ADAM 3047  
Dispatched: Dec-08-2012 15:56:18  
En Route : Dec-08-2012 15:56:18  
On Scene : Dec-08-2012 17:39:06  
In Service: Dec-08-2012 23:29:52

Backup Unit: UNN1 Type:SW 1069 WATSON, JEFF 4093 ( )  
Dispatched: Dec-08-2012 13:17:18  
En Route : Dec-08-2012 13:17:18  
On Scene : Dec-08-2012 13:30:42  
In Service: Dec-08-2012 21:50:29

Backup Unit: UNN10 Type:XX  
Dispatched: Dec-08-2012 13:01:10  
En Route : Dec-08-2012 13:01:10  
On Scene : Dec-08-2012 13:29:28  
In Service: Dec-08-2012 15:39:37

Backup Unit: UNN10 Type:SW 109 BROWN, GREG 3076 ( )  
Dispatched: Dec-08-2012 15:39:56  
En Route : Dec-08-2012 15:39:56

SACRAMENTO POLICE DEPARTMENT  
COMPLAINT HARDCOPY

CP 2012 - 332558

Reported: Dec-08-2012 12:32:50

On Scene : Dec-08-2012 15:39:56  
In Service: Dec-08-2012 21:50:29

Backup Unit: UNN11 Type:XX 1064 WALTERS, STEVEN 0453 ( )  
Dispatched: Dec-08-2012 13:01:02  
En Route : Dec-08-2012 13:01:02  
On Scene : Dec-08-2012 13:12:37  
In Service: Dec-08-2012 19:52:18

Backup Unit: UNN12 Type:SW 364 GRIFFIN, KEVIN C 7619  
Dispatched: Dec-08-2012 13:17:31  
En Route : Dec-08-2012 13:17:31  
On Scene : Dec-08-2012 14:46:26  
In Service: Dec-08-2012 21:50:29

Backup Unit: UNN13 Type:XX 168 CHANDLER, VANCE M 4008  
Dispatched: Dec-08-2012 13:01:14  
En Route : Dec-08-2012 13:01:14  
On Scene : Dec-08-2012 14:46:26  
In Service: Dec-08-2012 21:50:30

Backup Unit: UNN14 Type:SW 2994 EDGERTON, TODD 3131  
Dispatched: Dec-08-2012 13:17:42  
En Route : Dec-08-2012 13:17:42  
On Scene : Dec-08-2012 14:46:26  
In Service: Dec-08-2012 21:50:30

Backup Unit: UNN15 Type:SW 3149 DAVIS, ANDREW 0853  
Dispatched: Dec-08-2012 13:07:47  
En Route : Dec-08-2012 13:07:47  
On Scene : Dec-08-2012 13:12:12  
In Service: Dec-08-2012 21:50:47

Backup Unit: UNN16 Type:SW 3876 JARVIS, JEREMIAH 3022  
Dispatched: Dec-08-2012 13:02:02  
En Route : Dec-08-2012 13:02:02  
On Scene : Dec-08-2012 14:46:46  
In Service: Dec-08-2012 19:09:47

Backup Unit: UNN20 Type:XX 725 NICHOLS, MICHAEL A 7720  
Dispatched: Dec-08-2012 13:01:23  
En Route : Dec-08-2012 13:01:23  
On Scene : Dec-08-2012 14:46:40  
In Service: Dec-08-2012 23:50:54

Backup Unit: UNN21 Type:SW 313 GALIPEAU, MICHAEL 0316 ( )  
Dispatched: Dec-08-2012 13:18:10  
En Route : Dec-08-2012 13:18:10  
On Scene : Dec-08-2012 14:46:40  
In Service: Dec-08-2012 21:50:47

Backup Unit: UNN22 Type:SW 80 BLESSING, MICHAEL 0266  
Dispatched: Dec-08-2012 13:18:17  
En Route : Dec-08-2012 13:18:17  
On Scene : Dec-08-2012 14:46:40  
In Service: Dec-08-2012 21:50:48

SACRAMENTO POLICE DEPARTMENT  
COMPLAINT HARDCOPY

CP 2012 - 332558

Reported: Dec-08-2012 12:32:50

Backup Unit: UNN23 Type:SW 511 KIRTLAN, JOSHUA 3122  
Dispatched: Dec-08-2012 13:14:03  
En Route : Dec-08-2012 13:14:03  
On Scene : Dec-08-2012 13:14:03  
In Service: Dec-08-2012 21:50:48

Backup Unit: UNN24 Type:SW 570 LIGHTFOOT, JOHN 3050  
Dispatched: Dec-08-2012 13:01:27  
En Route : Dec-08-2012 13:01:27  
On Scene : Dec-08-2012 13:23:28  
In Service: Dec-08-2012 21:50:48

Backup Unit: UNN25 Type:SW 3266 ROSIN, DOUGLAS 3021 (-)  
Dispatched: Dec-08-2012 13:01:45  
En Route : Dec-08-2012 13:01:45  
On Scene : Dec-08-2012 14:46:46  
In Service: Dec-08-2012 21:51:07

Backup Unit: UNN26 Type:SW 3677 BEVINS, TOD 3044  
Dispatched: Dec-08-2012 13:18:35  
En Route : Dec-08-2012 13:18:35  
On Scene : Dec-08-2012 14:46:46  
In Service: Dec-08-2012 21:01:31

Backup Unit: UNN27 Type:XX 3700 YOUNG, ROBERT 3102  
Dispatched: Dec-08-2012 13:01:49  
En Route : Dec-08-2012 13:01:49  
On Scene : Dec-08-2012 14:46:46  
In Service: Dec-08-2012 21:51:07

Backup Unit: UNN31 Type:SW 3027 GREEN, ADAM P 5130  
Dispatched: Dec-08-2012 12:57:10  
En Route : Dec-08-2012 12:57:10  
On Scene : Dec-08-2012 13:52:20  
In Service: Dec-08-2012 21:51:08

Backup Unit: UNN33 Type:SW 1046 VILLEGAS, AURELIO 3124  
Dispatched: Dec-08-2012 13:39:27  
En Route : Dec-08-2012 13:39:27  
On Scene : Dec-08-2012 13:39:27  
In Service: Dec-08-2012 21:51:08

Unit: Type:

Unit: Type:

Unit: Type:

Unit: Type:

Unit: Type:

Unit: Type:

Unit: Type:

Unit: Type:

SACRAMENTO POLICE DEPARTMENT  
COMPLAINT HARDCOPY

CP 2012 - 332558

Reported: Dec-08-2012 12:32:50

Unit: Type:

Unit: Type:

Unit: Type:

Unit: Type:

Unit: Type:

Unit: Type:

Unit: Type:

Unit: Type:

Unit: Type:

Unit: Type:

Special Service Information

At: :00 SR11 258  
Last Updated: 12-08-2012 13:04:31

At: :00 SR11 258  
Last Updated: 12-08-2012 13:10:13

At: :00 SR11 258  
Last Updated: 12-08-2012 13:31:16

At: :00 CS1 248  
Last Updated: 12-08-2012 14:10:08

At: :00 SD6 831  
Last Updated: 12-08-2012 14:15:19

At: :00 SR11 258  
Last Updated: 12-08-2012 14:53:44

At: :00 SR11 258  
Last Updated: 12-08-2012 15:44:39

At: :00 SR11 258  
Last Updated: 12-08-2012 16:09:19

At: :00 SR11 258  
Last Updated: 12-08-2012 16:13:58

At: :00 SR11 258  
Last Updated: 12-08-2012 16:14:21

At: :00 SR11 258  
Last Updated: 12-08-2012 16:25:18

At: :00 SR11 258

**SACRAMENTO POLICE DEPARTMENT  
COMPLAINT HARDCOPY**

**CP 2012 - 332558**

**Reported: Dec-08-2012 12:32:50**

Last Updated: 12-08-2012 16:25:28

At: :00 SR11 258  
Last Updated: 12-08-2012 16:25:51

At: :00 SR11 258  
Last Updated: 12-08-2012 16:26:45

At: :00 SR11 258  
Last Updated: 12-08-2012 16:27:12

At: :00 SR11 258  
Last Updated: 12-08-2012 16:27:58

At: :00 SR9 3833  
Last Updated: 12-08-2012 16:30:23

At: :00 SR11 3836  
Last Updated: 12-09-2012 04:32:48

**\*\* END OF HARDCOPY \*\***

SACRAMENTO POLICE DEPARTMENT  
COMPLAINT HARDCOPY

CP 2012 - 332559

Reported: Dec-08-2012 12:34:17

Summary Information

Call Number: SA 2012-332559 Date/In Time: Dec-08-2012 12:34:17 Status: CLOSED  
Initial Call Type: ROBBERY-IN PROGRESS  
Final Call Type: ROBBERY-IN PROGRESS  
Priority: 2 Queue Type: R How Received: TELEPHONE  
Address: 8349 FOLSOM BLVD Community: SACRAMENTO  
Place Name: in JACK IN THE BOX  
District: 3 Zone: 3C Grid: 1115  
Telephone: -  
Call Taker: 3902 SONG, WON J 6187 Call Taker Desk: SD3

Initial Remarks :

JACK IN THE BOX...MALE ASIAN 19YO, 5'0, THIN, RED  
PLAID SHRT, BLU JNS, ARMED WITH A GUN WAS TELLING  
CUSTOMER TO GET OUT OF STORE WHILE HE WAS 211'ING  
IT...MTF

Complainant Name: [REDACTED]  
Address: 8389 FOLSOM BLVD  
Home Phone: [REDACTED] Bus Phone: 916 -

Clearance Remarks :

DUPLICATE CALL

Founded: Yes Report Expected: No  
How Cleared: CANCEL  
BOLO: N  
Reporting Officer1:  
Reporting Officer2:  
Cleared By: 3902 SONG, WON J 6187 Clearance Desk/Unit ID: SD3

Call Times:

Received : Dec-08-2012 12:34:17  
Cleared : Dec-08-2012 12:35:51

Total - Units/Services: 0 Remarks: 0 Documents: 0 Entities: 0

Chronological Events

12-08-2012 12:35:51 SD3 3902 SONG, WON J 6187 Call Update  
Related Call: ADDED TO PRIME:SA12-332558

12-13-2012 18:09:18 CDM3 CADAD6 CAD ADMINISTRATOR 6 Call Update  
Address: 8389 FOLSOM BLVD MUN:1 ZONE:3C DIST:3  
TO: 8349 FOLSOM BLVD MUN:1 ZONE:3C DIST:3

\*\* END OF HARDCOPY \*\*



SACRAMENTO POLICE DEPARTMENT  
COMPLAINT HARDCOPY

CP 2012 - 332560

Reported: Dec-08-2012 12:34:17

Summary Information

Call Number: SA 2012-332560 Date/In Time: Dec-08-2012 12:34:17 Status: CLOSED  
Initial Call Type: ROBBERY-IN PROGRESS  
Final Call Type: ROBBERY-IN PROGRESS  
Priority: 2 Queue Type: R How Received: 911 SYSTEM  
Address: 8349 FOLSOM BLVD Community: SACRAMENTO  
Place Name: in JACK IN THE BOX  
District: 3 Zone: 3C Grid: 1115  
Telephone: [REDACTED]  
Call Taker: 3578 DUGGINS, MICHELE 6062 Call Taker Desk: SD11

Initial Remarks :

CHP XFER.. \*\*\* GUN \*\* C WAS IN THE BATHROOM  
ADVING A SUSP W/ A GUN CAME IN AND WAS ROBBING  
THE PLACE.. C WAS TOLD BY A MWA, MUST, \*\*\*\*  
THERE IS A MALE AT THE BACK DOOR W A / GUN \*\*\*\*\*  
MHA, W/ A VEST THAT SAYS AGENT \*\*\*\*

Complainant Name: [REDACTED]  
Address: 8345 FOLSOM BLVD  
Home Phone: [REDACTED] CELL PHONE Bus Phone: 916 -

Clearance Remarks :

DUPLICATE CALL

Founded: Yes Report Expected: No  
How Cleared: CANCEL  
BOLO: N  
Reporting Officer1:  
Reporting Officer2:  
Cleared By: 3578 DUGGINS, MICHELE 6062 Clearance Desk/Unit ID: SD11

Call Times:

Received : Dec-08-2012 12:34:17  
Cleared : Dec-08-2012 12:35:55

Total - Units/Services: 0 Remarks: 1 Documents: 0 Entities: 0

Chronological Events

12-08-2012 12:35:55 SD11 3578 DUGGINS, MICHELE 6062 Call Update  
Related Call: ADDED TO PRIME:SA12-332558  
12-08-2012 12:38:48 SD11 3578 DUGGINS, MICHELE 6062 Call Update  
Comp.adress: [REDACTED] CA TO: 8345  
FOLSOM BLVD SACRAMENTO CA  
12-08-2012 12:38:48 SD11 3578 DUGGINS, MICHELE 6062 Call Update  
Comp.Name: T-MOBILE [REDACTED] TO: [REDACTED]  
[REDACTED]  
12-08-2012 12:38:48 SD11 3578 DUGGINS, MICHELE 6062 Call Update  
Comp.phone: [REDACTED] TO: C [REDACTED]  
12-08-2012 12:39:02 SD11 3578 DUGGINS, MICHELE 6062 Call Remark

**SACRAMENTO POLICE DEPARTMENT  
COMPLAINT HARDCOPY**

**CP 2012 - 332560**

**Reported: Dec-08-2012 12:34:17**

**C IS SITTING IN A MAR HOND ACCORD**

12-08-2012 12:39:32 SD11 3578 DUGGINS, MICHELE 6062 Call Update

**Comp.Name:** [REDACTED] **TO:** [REDACTED]

**M** [REDACTED]

12-13-2012 19:07:27 CDM3 CADAD6 CAD ADMINISTRATOR 6 Call Update

**Address: 8345 FOLSOM BLVD MUN:1 ZONE:3C DIST:3**

**TO: 8349 FOLSOM BLVD MUN:1 ZONE:3C DIST:3**

**\*\* END OF HARDCOPY \*\***

SACRAMENTO POLICE DEPARTMENT  
COMPLAINT HARDCOPY

CP 2012 - 332561

Reported: Dec-08-2012 12:33:56

Summary Information

Call Number: SA 2012-332561 Date/In Time: Dec-08-2012 12:33:56 Status: CLOSED  
Initial Call Type: SUSPICIOUS SUBJECT/CIRCUMSTANCE-WEAPON INVOLVED  
Final Call Type: SUSPICIOUS SUBJECT/CIRCUMSTANCE-WEAPON INVOLVED  
Priority: 2 Queue Type: R How Received: 911 SYSTEM  
Address: FOLSOM BLVD / FLORIN PERKINS RD Community: SACRAMENTO  
District: 3 Zone: 3C Grid: 1116  
Telephone: [REDACTED]  
Call Taker: 3582 RICH, CLARISSA 6083 Call Taker Desk: SD10

Initial Remarks :

C IS SAYING THAT THERE IS A GUY IN THE JACK IN  
THE BOX W/ A GUN...C IS NOT ABLE TO GET ANY INFO  
SAYING FEM IS HYSTERICAL

Complainant Name: [REDACTED]  
Address: FOLSOM BLVD / FLORIN PERKINS RD  
Home Phone: [REDACTED] CELL PHONE Bus Phone: 916 -

Clearance Remarks :  
SAME

Founded: No Report Expected: No  
How Cleared: CANCEL  
BOLO: N  
Reporting Officer1:  
Reporting Officer2:  
Cleared By: 3965 LEY, AMANDA 6164 Clearance Desk/Unit ID: SR11

Call Times:  
Received : Dec-08-2012 12:33:56  
Cleared : Dec-08-2012 12:37:00

Total - Units/Services: 0 Remarks: 1 Documents: 0 Entities: 0

Chronological Events

12-08-2012 12:36:53 SD10 3582 RICH, CLARISSA 6083 Call Remark  
C NOW GOT ADDR OF 8349 FOLSOM IS WHERE SUBJ  
IS...SUBJ ENTERED W/A VEST THAT SAYS AGENT ON THE  
BACK

12-08-2012 12:37:00 SR11 3965 LEY, AMANDA 6164 Call Update  
Report flag: Y TO:N

12-08-2012 12:37:00 SR11 3965 LEY, AMANDA 6164 Call Update  
Founded: Y TO:N

12-08-2012 12:37:00 SR11 3965 LEY, AMANDA 6164 Call Update  
Call was CLEARED:

12-08-2012 12:37:00 SR11 3965 LEY, AMANDA 6164 Call Update  
Cleared by: P TO:X

12-08-2012 12:37:00 SR11 3965 LEY, AMANDA 6164 Call Update

SACRAMENTO POLICE DEPARTMENT  
COMPLAINT HARDCOPY

CP 2012 - 332561

Reported: Dec-08-2012 12:33:56

**Related Call: ADDED TO PRIME:SA12-332558**

12-08-2012 12:37:00 SR11 3965 LEY, AMANDA 6164 Call Update  
**Clear remarks: CHANGED TO:SAME**

12-08-2012 12:37:47 SD11 3578 DUGGINS, MICHELE 6062 Call Update  
**Comp.adress: [REDACTED] FOLSOM BL CA TO: FOLSOM BLVD  
/ FLORIN PERKINS RD CA**

12-08-2012 12:37:47 SD11 3578 DUGGINS, MICHELE 6062 Call Update  
**Comp.Name: [REDACTED] TO: [REDACTED]**

12-08-2012 12:37:47 SD11 3578 DUGGINS, MICHELE 6062 Call Update  
**Comp.phone: [REDACTED] TO: [REDACTED]**

**\*\* END OF HARDCOPY \*\***

SACRAMENTO POLICE DEPARTMENT  
COMPLAINT HARDCOPY

CP 2012 - 332562

Reported: Dec-08-2012 12:35:51

Summary Information

Call Number: SA 2012-332562 Date/In Time: Dec-08-2012 12:35:51 Status: CLOSED  
Initial Call Type: ROBBERY-IN PROGRESS  
Final Call Type: ROBBERY-IN PROGRESS  
Priority: 2 Queue Type: R How Received: TELEPHONE  
Address: 119 - 8345 FOLSOM BLVD Community: SACRAMENTO  
District: 3 Zone: 3C Grid: 1115  
Telephone: -  
Call Taker: 4002 MAITA, CHESSA 6074 Call Taker Desk: SD2

Initial Remarks :

**SUBJ W/ GUN IS STILL INSIDE 925... POSS 2 SUBJ'S  
AT THE BACK DOOR AS WELL**

Home Phone: 916 - Bus Phone: 916 -

Clearance Remarks :

**DUPLICATE CALL**

Founded: Yes Report Expected: No

How Cleared: CANCEL

BOLO: N

Reporting Officer1:

Reporting Officer2:

Cleared By: 4002 MAITA, CHESSA 6074 Clearance Desk/Unit ID: SD2

Call Times:

Received : Dec-08-2012 12:35:51

Cleared : Dec-08-2012 12:36:23

Total - Units/Services: 0 Remarks: 0 Documents: 0 Entities: 0

Chronological Events

12-08-2012 12:36:23 SD2 4002 MAITA, CHESSA 6074 Call Update  
**Related Call: ADDED TO PRIME:SA12-332558**

**\*\* END OF HARDCOPY \*\***

SACRAMENTO POLICE DEPARTMENT  
COMPLAINT HARDCOPY

CP 2012 - 332563

Reported: Dec-08-2012 12:35:42

Summary Information

Call Number: SA 2012-332563 Date/In Time: Dec-08-2012 12:35:42 Status: CLOSED  
Initial Call Type: ROBBERY-IN PROGRESS  
Final Call Type: ROBBERY-IN PROGRESS  
Priority: 2 Queue Type: R How Received: 911 SYSTEM  
Address: 8349 FOLSOM BLVD Community: SACRAMENTO  
Place Name: in JACK IN THE BOX  
District: 3 Zone: 3C Grid: 1115  
Telephone: [REDACTED]  
Call Taker: 4035 ROBLES, JENNAFER 6042 ([REDACTED]) Call Taker Desk: SD13

Initial Remarks :

SUBJ W/A GUN....THERE WERE 3 TOTAL...2 WERE SEEN  
BEHIND THE BLDG W/GUNS AND ONE INSIDE....1 INSIDE  
WAS MH/A20S, 5'5/MED, MED LENGTH BLK HAIR, BLK  
SWT SHRT W/HOOD, BLK PISTOL BLK IN COLOR.....

Complainant Name: [REDACTED] WITN  
Home Phone: [REDACTED] CELL PHONE Bus Phone: 916 -

Clearance Remarks :  
DUPLICATE CALL

Founded: Yes Report Expected: No  
How Cleared: CANCEL  
BOLO: N  
Reporting Officer1:  
Reporting Officer2:  
Cleared By: 4035 ROBLES, JENNAFER 6042 ([REDACTED])

Clearance Desk/Unit ID: SD13

Call Times:  
Received : Dec-08-2012 12:35:42  
Cleared : Dec-08-2012 12:37:50

Total - Units/Services: 0 Remarks: 0 Documents: 0 Entities: 0

Chronological Events

12-08-2012 12:37:50 SD13 4035 ROBLES, JENNAFER 6042 ([REDACTED]) Call Update  
Related Call: ADDED TO PRIME:SA12-332558  
12-08-2012 12:40:26 SD13 4035 ROBLES, JENNAFER 6042 ([REDACTED]) Call Update  
Comp.adress: 8880 CAL CENTER DR CA TO: CA  
12-08-2012 12:40:26 SD13 4035 ROBLES, JENNAFER 6042 ([REDACTED]) Call Update  
Comp.phone: [REDACTED] TO: [REDACTED]  
12-08-2012 12:40:26 SD13 4035 ROBLES, JENNAFER 6042 ([REDACTED]) Call Update  
Comp.Name: VERIZON 800 451 5242 4 WIRELESS  
TO: [REDACTED] WITN

\*\* END OF HARDCOPY \*\*

SACRAMENTO POLICE DEPARTMENT  
COMPLAINT HARDCOPY

CP 2012 - 332567

Reported: Dec-08-2012 12:40:43

Summary Information

Call Number: SA 2012-332567 Date/In Time: Dec-08-2012 12:40:43 Status: CLOSED  
Initial Call Type: INCOMPLETE CALL FOR POLICE  
Final Call Type: INCOMPLETE CALL FOR POLICE  
Priority: 3 Queue Type: R How Received: TELEPHONE  
Address: 8300 FOLSOM BLVD Community: SACRAMENTO  
District: 3 Zone: 3C Grid: 1117  
Telephone: -  
Call Taker: 4002 MAITA, CHESSA 6074 Call Taker Desk: SD2

Initial Remarks :

INFO VIA CHP... FEM SAYING "PLEASE DONT COME HERE  
PLEASE DONT COME HERE\*\*\* FEM SOUNDED RATTLED PER  
CHP... UNK IF RE TO 211

Home Phone: [REDACTED] CELL PHONE Bus Phone: [REDACTED] -

Clearance Remarks :  
SAME

Founded: No Report Expected: No  
How Cleared: CANCEL  
BOLO: N  
Reporting Officer1:  
Reporting Officer2:  
Cleared By: 3965 LEY, AMANDA 6164 Clearance Desk/Unit ID: SR11

Call Times:  
Received : Dec-08-2012 12:40:43  
Cleared : Dec-08-2012 12:42:54

Total - Units/Services: 0 Remarks: 0 Documents: 0 Entities: 0

Chronological Events

12-08-2012 12:42:54 SR11 3965 LEY, AMANDA 6164 Call Update  
Call was CLEARED:  
12-08-2012 12:42:54 SR11 3965 LEY, AMANDA 6164 Call Update  
Founded: Y TO:N  
12-08-2012 12:42:54 SR11 3965 LEY, AMANDA 6164 Call Update  
Related Call: ADDED TO PRIME:SA12-332558  
12-08-2012 12:42:54 SR11 3965 LEY, AMANDA 6164 Call Update  
Clear remarks: CHANGED TO:SAME  
12-08-2012 12:42:54 SR11 3965 LEY, AMANDA 6164 Call Update  
Cleared by: P TO:X

\*\* END OF HARDCOPY \*\*

SACRAMENTO POLICE DEPARTMENT  
COMPLAINT HARDCOPY

CP 2012 - 332598

Reported: Dec-08-2012 13:21:08

Summary Information

Call Number: SA 2012-332598 Date/In Time: Dec-08-2012 13:21:08 Status: CLOSED  
Initial Call Type: WELFARE CHECK  
Final Call Type: WELFARE CHECK  
Priority: 4 Queue Type: R How Received: TELEPHONE  
Address: 8637 FOLSOM BLVD Community: SACRAMENTO  
Place Name: STARDUST MOTEL  
District: 3 Zone: 3C Grid: 1116  
Telephone: -  
Call Taker: 214 DABROWSKI, JANE 6105 Call Taker Desk: SD7

Initial Remarks :

FEM CALLED 911 MULTIPLE TIMES TO CHP KEEPS SAYING  
I SEE YOU DONT COME IN HERE AND THEN H/U.. SHE  
CALLS FROM A PHASE 2 CELL BUT THIS IS THE ADDRESS  
FOR THE SUBSCRIBER INFO..NAME [REDACTED] CELL  
[REDACTED] ... THEY HAVE HAD 8 CALLS SO FAR AND  
SAYS SOMETHING SIMILAR MTF

Complainant Name: CHP  
Home Phone: 916 - Bus Phone: 916 -

Clearance Remarks :

CALL RELATED TO 211 12-332558. SUPP ON 211 RPT

Founded: Yes Report Expected: No  
How Cleared: POLICE MATTER RESOLVED AT SCENE  
BOLO: N  
Reporting Officer1: 3026 - HOWLAND, ANN MARIE 0839  
Reporting Officer2:  
Cleared By: 3026 HOWLAND, ANN MARIE 0839 ([REDACTED]) Clearance Desk/Unit ID: 1B11

Call Times:

Received : Dec-08-2012 13:21:08  
Dispatch : Dec-08-2012 13:32:38  
En Route : Dec-08-2012 13:32:49  
On Scene : Dec-08-2012 13:46:50  
Cleared : Dec-08-2012 16:28:43

Total - Units/Services: 4 Remarks: 9 Documents: 0 Entities: 0

Chronological Events

12-08-2012 13:22:49 SD7 214 DABROWSKI, JANE 6105 Call Remark  
,ALTERNATE # FOR FEM [REDACTED] LISTED AS THE HOME  
# FOR THE SUBSCRIBER ....

12-08-2012 13:31:52 CS1 248 SOUTHWARD, KAMERON 6159 Call Remark  
2SM1 ADV'D OF THIS CALL VIA LL \*\*\*\* POSS RELATED  
TO THE 211

12-08-2012 13:32:38 SR10 4035 ROBLES, JENNAFER 6042 ([REDACTED]) Status Change  
2PL3 DP 146 CANNON, ARTHUR 7758 8637  
FOLSOM BLVD



SACRAMENTO POLICE DEPARTMENT  
COMPLAINT HARDCOPY

CP 2012 - 332598

Reported: Dec-08-2012 13:21:08

12-08-2012 13:32:39 SR10 4035 ROBLES, JENNAFER 6042 ( [REDACTED] ) Status Change  
1B11 DP 3026 HOWLAND, ANN MARIE 0839 ( [REDACTED] )  
8637 FOLSOM BLVD

12-08-2012 13:32:49 1B11 3026 HOWLAND, ANN MARIE 0839 ( [REDACTED] )  
1B11 ER 3026 HOWLAND, ANN MARIE 0839 ( [REDACTED] )

12-08-2012 13:35:18 SR10 4035 ROBLES, JENNAFER 6042 ( [REDACTED] )  
2PL3 ER 146 CANNON, ARTHUR 7758 Sent to  
MDT: 2PL3,Status changed to ER by SR10

12-08-2012 13:35:18 SR10 4035 ROBLES, JENNAFER 6042 ( [REDACTED] ) Status Change  
2PL3 ER 146 CANNON, ARTHUR 7758

12-08-2012 13:42:48 SR10 4035 ROBLES, JENNAFER 6042 ( [REDACTED] ) Special Service Reque  
(HS) HOTSEAT: HS,SD9,PLS CB CHP ON THIS AND GET  
THE LAT AND LONG LISTED

12-08-2012 13:46:50 1B11 3026 HOWLAND, ANN MARIE 0839 ( [REDACTED] )  
1B11 OS 3026 HOWLAND, ANN MARIE 0839 ( [REDACTED] )

12-08-2012 13:49:32 SD6 831 SWAFFORD, JENA R 6434 Call Remark  
JUST FYI - CHP IS TRYING TO FIND THIS INFO NOW

12-08-2012 13:52:38 SR10 4035 ROBLES, JENNAFER 6042 ( [REDACTED] ) Status Change  
2PL3 OS 146 CANNON, ARTHUR 7758

12-08-2012 13:52:38 SR10 4035 ROBLES, JENNAFER 6042 ( [REDACTED] )  
2PL3 OS 146 CANNON, ARTHUR 7758 Sent to  
MDT: 2PL3,Status changed to OS by SR10

12-08-2012 13:54:31 SR10 4035 ROBLES, JENNAFER 6042 ( [REDACTED] ) Special Service Reque  
(RQ) GEN REQ: RQ,SR11,UNITS ON THIS HAVE  
CONFIRMED THIS MAY BE A HOSTAGE AT THE 211

12-08-2012 13:55:02 SR10 4035 ROBLES, JENNAFER 6042 ( [REDACTED] ) Call Remark  
1B11/SR10,OK.,THIS WILL BE RELATED. HOSTAGE'S  
FAMILY WORKS HERE. SHE HAS BEEN CALLING OVER  
HERE TELLING THEM SHE IS TIED UP ETC. 2SM1 ADV.  
I WILL BE GOING TO CH 1 NOW

12-08-2012 13:55:07 SR10 4035 ROBLES, JENNAFER 6042 ( [REDACTED] ) Call Remark  
2PL3/SR10,SHE CALLED HER SISTER HERE AND TOLD HER  
NOT TO COME SHE IS TIED UP

12-08-2012 13:55:10 SR10 4035 ROBLES, JENNAFER 6042 ( [REDACTED] ) Call Remark  
2PL3/SR10,SHE IS AN EMPLOYEE THERE

12-08-2012 13:55:46 SD6 831 SWAFFORD, JENA R 6434 Call Remark  
CORRECT # [REDACTED] THAT CHP GOT THESE 8 CALLS  
ON \*\*\*\*  
LAT: [REDACTED] /LONG: [REDACTED] \*\*\*\*\*WILL  
LOOK IT UP NOW

12-08-2012 13:56:21 SR11 258 EBO, NATASHA 6071 Call Remark  
UNN UNITS ARE MOVING \*\*\*

SACRAMENTO POLICE DEPARTMENT  
COMPLAINT HARDCOPY

CP 2012 - 332598

Reported: Dec-08-2012 13:21:08

12-08-2012 13:56:46 2PL3 146 CANNON, ARTHUR 7758 Status Change  
2PL3 IS 146 CANNON, ARTHUR 7758

12-08-2012 14:00:35 SD6 831 SWAFFORD, JENA R 6434 Call Remark  
\*\*\*LAT LONG FOR HIS COMES BACK [REDACTED] JACKSON RD\*\*\*\*

12-08-2012 14:01:58 SR11 258 EBO, NATASHA 6071 Call Update  
Related Call: ADDED TO PRIME:SA12-332558

12-08-2012 15:58:19 1B11 3026 HOWLAND, ANN MARIE 0839 ([REDACTED]) Status Change  
1B11 ER 3026 HOWLAND, ANN MARIE 0839 (  
KINNEY

12-08-2012 16:18:07 1B11 3026 HOWLAND, ANN MARIE 0839 ([REDACTED]) RMS Query  
RMS Q PERS-NAME:KHANG G1:XOING AGE:23 SEX:M  
RACE:A STATE:CA REC:Y EXTN:Y EXTE:Y EXTM:N  
EXTD:Y PKI:N TONC:Y UNIT:1B11

12-08-2012 16:18:07 1B11 3026 HOWLAND, ANN MARIE 0839 ([REDACTED]) External Query  
EXT Q PERS-NAME:KHANG G1:XOING AGE:23 SEX:M  
RACE:A STATE:CA REC:Y EXTN:Y EXTE:Y EXTM:N  
EXTD:Y PKI:N TONC:Y UNIT:1B11

12-08-2012 16:26:07 1B11 3026 HOWLAND, ANN MARIE 0839 ([REDACTED]) Status Change  
1B11 OS 3026 HOWLAND, ANN MARIE 0839 (  
KINNEY

12-08-2012 16:28:43 1B11 3026 HOWLAND, ANN MARIE 0839 ([REDACTED]) Status Change  
1B11 IS 3026 HOWLAND, ANN MARIE 0839 (  
KINNEY

12-08-2012 16:28:43 1B11 3026 HOWLAND, ANN MARIE 0839 ([REDACTED]) Call Cleared  
1B11 IS 3026 HOWLAND, ANN MARIE 0839 (  
CLEARED CASE SA332598 FOUNDED-Y REPORT-N CLEARED  
BY-A FINAL-981 BOLO-N STUDY FLAG- CALL RELATED TO  
211 12-332558. SUPP ON 211 RPT

12-08-2012 16:28:43 1B11 3026 HOWLAND, ANN MARIE 0839 ( Call Update  
Prime Unit changed: PRIME FOR SA12-332598 TO 1B11

Dispatch Information

Prime Unit: 1B11 Type:PT 3026 HOWLAND, ANN MARIE 0839 ([REDACTED])  
Dispatched: Dec-08-2012 13:32:39  
En Route : Dec-08-2012 15:58:19  
On Scene : Dec-08-2012 16:26:07  
In Service: Dec-08-2012 16:28:43

Backup Unit: 2PL3 Type:PT 146 CANNON, ARTHUR 7758  
Dispatched: Dec-08-2012 13:32:38  
En Route : Dec-08-2012 13:35:18  
On Scene : Dec-08-2012 13:52:38  
In Service: Dec-08-2012 13:56:46

Unit: Type:

Unit: Type:

**SACRAMENTO POLICE DEPARTMENT  
COMPLAINT HARDCOPY**

**CP 2012 - 332598**

**Reported: Dec-08-2012 13:21:08**

**Special Service Information**

At: :00 SR10 4035  
Last Updated: 12-08-2012 13:42:48

At: :00 SR10 4035  
Last Updated: 12-08-2012 13:54:31

**\*\* END OF HARDCOPY \*\***

SACRAMENTO POLICE DEPARTMENT  
COMPLAINT HARDCOPY

CP 2012 - 332647

Reported: Dec-08-2012 14:34:53

Summary Information

Call Number: SA 2012-332647 Date/In Time: Dec-08-2012 14:34:53 Status: CLOSED  
Initial Call Type: ROBBERY-CSI  
Final Call Type: ROBBERY-CSI  
Priority: 7 Queue Type: R How Received: TELEPHONE  
Address: 8349 FOLSOM BLVD Community: SACRAMENTO  
Place Name: in JACK IN THE BOX  
District: 3 Zone: 3C Grid: 1115  
Telephone: [REDACTED]  
Call Taker: 258 EBO, NATASHA 6071 Call Taker Desk: SR11

Initial Remarks :

Address: 8349 FOLSOM BLVD  
Home Phone: [REDACTED] Bus Phone: 916 -

Clearance Remarks :

**EVIDENCE COLLECTION AND BOOKING**

Founded: Yes Report Expected: No  
How Cleared: POLICE MATTER RESOLVED AT SCENE  
BOLO: N  
Reporting Officer1: 3635 - CRUZ, MICAELA 0278  
Reporting Officer2:  
Cleared By: 896 PRINCE, TAMMY 6131 Clearance Desk/Unit ID: CS1

Call Times:

Received : Dec-08-2012 14:34:53  
Dispatch : Dec-08-2012 14:35:30  
En Route : Dec-08-2012 14:35:30  
On Scene : Dec-08-2012 14:45:51  
Cleared : Dec-09-2012 06:30:11

Total - Units/Services: 8 Remarks: 3 Documents: 0 Entities: 0

Chronological Events

12-08-2012 14:35:12 SR11 258 EBO, NATASHA 6071 Call Update  
**Related Call: ADDED TO PRIME:SA12-332558**

12-08-2012 14:35:17 SR11 258 EBO, NATASHA 6071 Call Update  
**Call re-directed: P7**

12-08-2012 14:35:30 SR11 258 EBO, NATASHA 6071 Status Change  
**CSI35 ER 3858 DEARDORFF, JONTHOMAS 0570**  
**8349 FOLSOM BLVD**

12-08-2012 14:45:51 CSI35 3858 DEARDORFF, JONTHOMAS 0570  
**CSI35 OS 3858 DEARDORFF, JONTHOMAS 0570**

12-08-2012 15:59:14 SR11 258 EBO, NATASHA 6071 Status Change  
**CSI23 ER 3534 JOSEPH, TRACY 0361 8349**  
**FOLSOM BLVD**

12-08-2012 15:59:19 SR11 258 EBO, NATASHA 6071

SACRAMENTO POLICE DEPARTMENT  
COMPLAINT HARDCOPY

CP 2012 - 332647

Reported: Dec-08-2012 14:34:53

**CSI23 ER 3534 JOSEPH, TRACY 0361 FROM:  
P6// TO P7// SUPPRESS AVL: TO N**

12-08-2012 15:59:25 SR11 258 EBO, NATASHA 6071  
**CSI23 ER 3534 JOSEPH, TRACY 0361 UCD MED  
CENTER**

12-08-2012 16:12:22 CSI23 3534 JOSEPH, TRACY 0361  
**CSI23 OS 3534 JOSEPH, TRACY 0361**

12-08-2012 16:41:56 CSI23 3534 JOSEPH, TRACY 0361 RMS Query  
**RMS Q LOC-LOC:8349 FOLSOM BLVD TYPE:H MUN:1  
CAD:Y REC:Y PKI:N**

12-08-2012 16:53:28 CSI23 3534 JOSEPH, TRACY 0361  
**CSI23 ER 3534 JOSEPH, TRACY 0361 SCENE**

12-08-2012 16:57:10 SR9 3833 WOOD, SARAH 6000 Status Change  
**CSI32 ER 3635 CRUZ, MICAELA 0278 8349  
FOLSOM BLVD**

12-08-2012 17:05:37 CS1 248 SOUTHWARD, KAMERON 6159 Status Change  
**FI39 ER 90 BOYD, KATHLEEN 6378 [REDACTED]  
8349 FOLSOM BLVD**

12-08-2012 17:08:12 CSI23 3534 JOSEPH, TRACY 0361  
**CSI23 OS 3534 JOSEPH, TRACY 0361 SCENE**

12-08-2012 17:15:55 SR10 3959 JOY, KELLY 6149  
**CSI23 OS 3534 JOSEPH, TRACY 0361 FROM:  
P7// TO P1//**

12-08-2012 17:16:01 SR10 3959 JOY, KELLY 6149  
**CSI35 OS 3858 DEARDORFF, JONTHOMAS 0570  
FROM: P7// TO P1//**

12-08-2012 17:16:07 SR10 3959 JOY, KELLY 6149  
**FI39 ER 90 BOYD, KATHLEEN 6378 [REDACTED]  
FROM: P7// TO P1//**

12-08-2012 17:39:14 SR11 3032 FORD, MICHAEL R046 Status Change  
**FI39 OS 90 BOYD, KATHLEEN 6378 [REDACTED] MAP**

12-08-2012 17:40:35 SR10 3959 JOY, KELLY 6149  
**CSI35 OS 3858 DEARDORFF, JONTHOMAS 0570  
FROM: P1// TO P3//**

12-08-2012 17:40:38 SR10 3959 JOY, KELLY 6149  
**CSI23 OS 3534 JOSEPH, TRACY 0361 FROM:  
P1// TO P3//**

12-08-2012 17:40:43 SR10 3959 JOY, KELLY 6149  
**FI39 OS 90 BOYD, KATHLEEN 6378 [REDACTED]  
FROM: P1// TO P3//**

12-08-2012 17:44:04 SR9 3833 WOOD, SARAH 6000  
**CSI32 OS 3635 CRUZ, MICAELA 0278**

SACRAMENTO POLICE DEPARTMENT  
COMPLAINT HARDCOPY

CP 2012 - 332647

Reported: Dec-08-2012 14:34:53

12-08-2012 17:44:04 SR9 3833 WOOD, SARAH 6000  
CSI32 OS 3635 CRUZ, MICAELA 0278 Sent to  
MDT: CSI32, Status changed to OS by SR9

12-08-2012 18:13:03 CSI23 3534 JOSEPH, TRACY 0361  
CSI23 ER 3534 JOSEPH, TRACY 0361 300  
RICHARDS BLVD

12-08-2012 18:22:35 CSI23 3534 JOSEPH, TRACY 0361  
CSI23 OS 3534 JOSEPH, TRACY 0361 300  
RICHARDS

12-08-2012 18:27:44 SR9 3833 WOOD, SARAH 6000 Status Change  
CSI31 ER 3210 CARR, JEFFREY 0205 8349  
FOLSOM BLVD

12-08-2012 18:36:18 SR9 3833 WOOD, SARAH 6000 Status Change  
FI20 ER 886 SCHIELE, ANTHONY V549 8349  
FOLSOM BLVD

12-08-2012 18:48:09 FI20 886 SCHIELE, ANTHONY V549  
FI20 OS 886 SCHIELE, ANTHONY V549

12-08-2012 18:55:29 CSI31 3210 CARR, JEFFREY 0205  
CSI31 OS 3210 CARR, JEFFREY 0205

12-08-2012 19:02:56 CSI23 3534 JOSEPH, TRACY 0361  
CSI23 ER 3534 JOSEPH, TRACY 0361 HOJ

12-08-2012 19:13:37 CSI23 3534 JOSEPH, TRACY 0361  
CSI23 OS 3534 JOSEPH, TRACY 0361 HOJ

12-08-2012 20:18:47 CSI23 3534 JOSEPH, TRACY 0361 Status Change  
CSI23 ER 3534 JOSEPH, TRACY 0361 300  
RICHARDS

12-08-2012 20:30:00 CSI23 3534 JOSEPH, TRACY 0361 Status Change  
CSI23 OS 3534 JOSEPH, TRACY 0361 300  
RICHARDS

12-08-2012 20:49:56 CSI23 3534 JOSEPH, TRACY 0361 Call Remark  
80 PHOTOS...RTF

12-08-2012 20:50:46 CSI23 3534 JOSEPH, TRACY 0361 Status Change  
CSI23 IS 3534 JOSEPH, TRACY 0361

12-08-2012 21:28:55 FI20 886 SCHIELE, ANTHONY V549 Status Change  
FI20 ER 886 SCHIELE, ANTHONY V549 CSI  
OFFICE

12-08-2012 21:37:19 FI20 886 SCHIELE, ANTHONY V549 Status Change  
FI20 OS 886 SCHIELE, ANTHONY V549

12-08-2012 21:38:05 FI20 886 SCHIELE, ANTHONY V549 Status Change  
FI20 IS 886 SCHIELE, ANTHONY V549

SACRAMENTO POLICE DEPARTMENT  
COMPLAINT HARDCOPY

CP 2012 - 332647

Reported: Dec-08-2012 14:34:53

12-08-2012 23:57:31 CSI35 3858 DEARDORFF, JONTHOMAS 0570  
CSI35 ER 3858 DEARDORFF, JONTHOMAS 0570  
PROPERTY

12-08-2012 23:59:22 CSI32 3635 CRUZ, MICAELA 0278  
CSI32 OS 3635 CRUZ, MICAELA 0278 VEH:11110  
ID:745339

12-09-2012 00:00:19 CSI32 3635 CRUZ, MICAELA 0278 Status Change  
CSI32 ER 3635 CRUZ, MICAELA 0278 PROPERTY

12-09-2012 00:09:32 CSI32 3635 CRUZ, MICAELA 0278 Status Change  
CSI32 OS 3635 CRUZ, MICAELA 0278 PROPERTY

12-09-2012 00:18:10 CSI35 3858 DEARDORFF, JONTHOMAS 0570  
CSI35 OS 3858 DEARDORFF, JONTHOMAS 0570  
PROPERTY

12-09-2012 01:25:55 CSI31 3210 CARR, JEFFREY 0205 Status Change  
CSI31 ER 3210 CARR, JEFFREY 0205 300R

12-09-2012 01:39:36 CSI35 3858 DEARDORFF, JONTHOMAS 0570 Status Change  
CSI35 ER 3858 DEARDORFF, JONTHOMAS 0570  
300R

12-09-2012 01:41:14 CSI32 3635 CRUZ, MICAELA 0278  
CSI32 OS 3635 CRUZ, MICAELA 0278 CSI OFFICE

12-09-2012 01:42:35 CSI35 3858 DEARDORFF, JONTHOMAS 0570 Status Change  
CSI35 OS 3858 DEARDORFF, JONTHOMAS 0570  
300R

12-09-2012 01:42:40 CSI31 3210 CARR, JEFFREY 0205 Status Change  
CSI31 OS 3210 CARR, JEFFREY 0205

12-09-2012 01:45:26 CSI32 3635 CRUZ, MICAELA 0278 Status Change  
CSI32 IS 3635 CRUZ, MICAELA 0278

12-09-2012 01:51:06 SR11 3836 FURNISS, KELLY 6036 Status Change  
CSI35 IS 3858 DEARDORFF, JONTHOMAS 0570

12-09-2012 01:53:16 SR11 3836 FURNISS, KELLY 6036 Status Change  
CSI35 OS 3858 DEARDORFF, JONTHOMAS 0570  
8349 FOLSOM BLVD

12-09-2012 01:53:38 CSI35 3858 DEARDORFF, JONTHOMAS 0570  
CSI35 OS 3858 DEARDORFF, JONTHOMAS 0570  
300R

12-09-2012 01:57:23 CSI31 3210 CARR, JEFFREY 0205 Call Remark  
DIAGRAM DONE VIA TOTAL STATION...

12-09-2012 01:57:33 CSI31 3210 CARR, JEFFREY 0205 Status Change  
CSI31 IS 3210 CARR, JEFFREY 0205

12-09-2012 02:01:00 CSI32 3635 CRUZ, MICAELA 0278 Status Change  
CSI32 ER 3635 CRUZ, MICAELA 0278

SACRAMENTO POLICE DEPARTMENT  
COMPLAINT HARDCOPY

CP 2012 - 332647

Reported: Dec-08-2012 14:34:53

**ASSIST:CSI35 /300R**

12-09-2012 02:01:20 CSI32 3635 CRUZ, MICAELA 0278 Status Change  
**CSI32 OS 3635 CRUZ, MICAELA 0278 CSI OFFICE**

12-09-2012 02:42:54 CSI35 3858 DEARDORFF, JONTHOMAS 0570 Call Remark  
**738 PHOTOS, BOOKED FLASHBANG FROM OFC. BLESSING;  
SUPP TO 12-332558**

12-09-2012 02:49:41 CSI35 3858 DEARDORFF, JONTHOMAS 0570 Status Change  
**CSI35 IS 3858 DEARDORFF, JONTHOMAS 0570**

12-09-2012 03:19:11 CSI32 3635 CRUZ, MICAELA 0278 Call Update  
**Prime Unit changed: PRIME FOR SA12-332647 TO CSI32**

12-09-2012 03:19:11 CSI32 3635 CRUZ, MICAELA 0278 Status Change  
**CSI32 IS 3635 CRUZ, MICAELA 0278**

12-09-2012 03:19:11 CSI32 3635 CRUZ, MICAELA 0278  
**CSI32 IS 3635 CRUZ, MICAELA 0278 UPDATED  
CASE SA332647 FOUNDED-Y REPORT-N CLEARED BY-A  
FINAL-211C BOLO-N STUDY FLAG- EVIDENCE COLLECTION  
AND BOOKING**

12-09-2012 06:30:11 CS1 896 PRINCE, TAMMY 6131 Status Change  
**FI39 IS 90 BOYD, KATHLEEN 6378**

12-09-2012 06:30:11 CS1 896 PRINCE, TAMMY 6131 Call Update  
**Call was CLEARED:**

12-09-2012 06:30:11 CS1 896 PRINCE, TAMMY 6131 Call Update  
**Reporting Officer2: SA TO:**

**Dispatch Information**

Backup Unit: CSI23 Type:CI 3534 JOSEPH, TRACY 0361  
Dispatched: Dec-08-2012 15:59:14  
En Route : Dec-08-2012 20:18:47  
On Scene : Dec-08-2012 20:30:00  
In Service: Dec-08-2012 20:50:46

Backup Unit: CSI31 Type:CI 3210 CARR, JEFFREY 0205  
Dispatched: Dec-08-2012 18:27:44  
En Route : Dec-09-2012 01:25:55  
On Scene : Dec-09-2012 01:42:40  
In Service: Dec-09-2012 01:57:33

Backup Unit: CSI32 Type:CI 3635 CRUZ, MICAELA 0278  
Dispatched: Dec-08-2012 16:57:10  
En Route : Dec-09-2012 00:00:19  
On Scene : Dec-09-2012 00:09:32  
In Service: Dec-09-2012 01:45:26

Prime Unit: CSI32 Type:CI 3635 CRUZ, MICAELA 0278  
Dispatched: Dec-09-2012 02:01:00  
En Route : Dec-09-2012 02:01:00



SACRAMENTO POLICE DEPARTMENT  
COMPLAINT HARDCOPY

CP 2012 - 332647

Reported: Dec-08-2012 14:34:53

On Scene : Dec-09-2012 02:01:20  
In Service: Dec-09-2012 03:19:11

Backup Unit: CSI35 Type:CI 3858 DEARDORFF, JONTHOMAS 0570  
Dispatched: Dec-08-2012 14:35:30  
En Route : Dec-09-2012 01:39:36  
On Scene : Dec-09-2012 01:42:35  
In Service: Dec-09-2012 01:51:06

Backup Unit: CSI35 Type:CI 3858 DEARDORFF, JONTHOMAS 0570  
Dispatched: Dec-09-2012 01:53:16  
En Route : Dec-09-2012 01:53:16  
On Scene : Dec-09-2012 01:53:16  
In Service: Dec-09-2012 02:49:41

Backup Unit: FI20 Type:CC 886 SCHIELE, ANTHONY V549  
Dispatched: Dec-08-2012 18:36:18  
En Route : Dec-08-2012 21:28:55  
On Scene : Dec-08-2012 21:37:19  
In Service: Dec-08-2012 21:38:05

Backup Unit: FI39 Type:CI 90 BOYD, KATHLEEN 6378 ( )  
Dispatched: Dec-08-2012 17:05:37  
En Route : Dec-08-2012 17:05:37  
On Scene : Dec-08-2012 17:39:14  
In Service: Dec-09-2012 06:30:11

\*\* END OF HARDCOPY \*\*

SACRAMENTO POLICE DEPARTMENT  
COMPLAINT HARDCOPY

CP 2012 - 333418

Reported: Dec-09-2012 13:21:54

Summary Information

Call Number: SA 2012-333418 Date/In Time: Dec-09-2012 13:21:54 Status: CLOSED  
Initial Call Type: ERRAND  
Final Call Type: ERRAND  
Priority: 6 Queue Type: R How Received: TELEPHONE  
Address: [REDACTED] 16TH AVE Community: SACRAMENTO  
District: 6 Zone: 6A Grid: 1051  
Telephone: -  
Call Taker: 3051 KRUEGER, HEATHER 6010 ([REDACTED]) Call Taker Desk: SD7

Initial Remarks :

RELATED TO 211 CALL 12-332558.... IV173/  
IV53/IV113.. ER TO SUSP ADDR.

Complainant Name: IV173 JOHNSON

Address: [REDACTED] 16TH AVE  
Home Phone: [REDACTED] CELL PHONE Bus Phone: [REDACTED]-

Clearance Remarks :

Founded: Yes Report Expected: No  
How Cleared: POLICE MATTER RESOLVED AT SCENE  
BOLO: N  
Reporting Officer1: 477 - JOHNSON, M 0706 ([REDACTED])  
Reporting Officer2:  
Cleared By: 3965 LEY, AMANDA 6164 Clearance Desk/Unit ID: SR9

Call Times:

Received : Dec-09-2012 13:21:54  
Dispatch : Dec-09-2012 13:26:24  
En Route : Dec-09-2012 13:26:24  
On Scene : Dec-09-2012 13:37:13  
Cleared : Dec-09-2012 14:36:14

Total - Units/Services: 4 Remarks: 0 Documents: 0 Entities: 0

Call Relation: Related

Related Calls:  
CP SA2012332558  
CP SA2012332558

Chronological Events

12-09-2012 13:26:15 SD7 3051 KRUEGER, HEATHER 6010 ([REDACTED]) Special Service Reque  
(RC) RADIO COORD: RC,CS1,\*FYI

12-09-2012 13:26:24 SR9 3965 LEY, AMANDA 6164 Status Change  
IV113 ER 999 TOEL, W 0276 ([REDACTED]) [REDACTED]  
16TH AVE

12-09-2012 13:26:24 SR9 3965 LEY, AMANDA 6164 Status Change  
IV53 ER 602 MACLAFFERTY, SCOTT 3065 [REDACTED]  
16TH AVE

12-09-2012 13:26:24 SR9 3965 LEY, AMANDA 6164 Status Change  
IV173 ER 477 JOHNSON, M 0706 ([REDACTED])

SACRAMENTO POLICE DEPARTMENT  
COMPLAINT HARDCOPY

CP 2012 - 333418

Reported: Dec-09-2012 13:21:54

█ 16TH AVE

12-09-2012 13:37:13 SR9 3965 LEY, AMANDA 6164 Status Change  
IV173 OS 477 JOHNSON, M 0706 (█)

12-09-2012 14:03:17 SR9 3965 LEY, AMANDA 6164 Call Update  
Related Call: ADDED FOLLOWUP:SA12-333433

12-09-2012 14:06:54 SR12 3508 YONEMURA, JENNIFER 6023 Call Update  
Related Call: DELETED FOLLOWUP:SA12-333433

12-09-2012 14:07:10 SR12 3508 YONEMURA, JENNIFER 6023 Call Update  
Related Call: ADDED TO PRIME:SA12-332558

12-09-2012 14:11:27 SR12 3508 YONEMURA, JENNIFER 6023 Status Change  
IV53 OS 602 MACLAFFERTY, SCOTT 3065

12-09-2012 14:11:27 SR12 3508 YONEMURA, JENNIFER 6023 Status Change  
IV113 OS 999 TOEL, W 0276 (█)

12-09-2012 14:36:11 SR9 3965 LEY, AMANDA 6164 Call Update  
Call was CLEARED:

12-09-2012 14:36:11 SR9 3965 LEY, AMANDA 6164 Call Update  
Cleared by: P TO:A

12-09-2012 14:36:11 SR9 3965 LEY, AMANDA 6164 Call Update  
Reporting Officer2: SA TO:

12-09-2012 14:36:11 SR9 3965 LEY, AMANDA 6164 Status Change  
IV173 IS 477 JOHNSON, M 0706 (█)

12-09-2012 14:36:11 SR9 3965 LEY, AMANDA 6164 Call Update  
Prime Unit changed: PRIME FOR SA12-333418 TO IV173

12-09-2012 14:36:14 SR9 3965 LEY, AMANDA 6164 Status Change  
IV113 IS 999 TOEL, W 0276 (█)

12-09-2012 14:36:14 SR9 3965 LEY, AMANDA 6164 Status Change  
IV53 IS 602 MACLAFFERTY, SCOTT 3065

12-09-2012 14:36:14 SR9 3965 LEY, AMANDA 6164 Call Update  
Call was CLEARED:

Dispatch Information

Backup Unit: IV113 Type:DT 999 TOEL, W 0276 (█)  
Dispatched: Dec-09-2012 13:26:24  
En Route : Dec-09-2012 13:26:24  
On Scene : Dec-09-2012 14:11:27  
In Service: Dec-09-2012 14:36:14

Prime Unit: IV173 Type:DT 477 JOHNSON, M 0706 (█)  
Dispatched: Dec-09-2012 13:26:24  
En Route : Dec-09-2012 13:26:24  
On Scene : Dec-09-2012 13:37:13

**SACRAMENTO POLICE DEPARTMENT  
COMPLAINT HARDCOPY**

**CP 2012 - 333418**

**Reported: Dec-09-2012 13:21:54**

**In Service: Dec-09-2012 14:36:11**

**Backup Unit: IV53    Type:DT    602 MACLAFFERTY, SCOTT 3065**

**Dispatched: Dec-09-2012 13:26:24**

**En Route : Dec-09-2012 13:26:24**

**On Scene : Dec-09-2012 14:11:27**

**In Service: Dec-09-2012 14:36:14**

**Unit:        Type:**

**Special Service Information**

**At:                :00 SD7    3051**

**Last Updated: 12-09-2012 13:26:15**

**\*\* END OF HARDCOPY \*\***

SACRAMENTO POLICE DEPARTMENT  
COMPLAINT HARDCOPY

CP 2012 - 333433

Reported: Dec-09-2012 14:03:07

Summary Information

Call Number: SA 2012-333433 Date/In Time: Dec-09-2012 14:03:07 Status: CLOSED  
Initial Call Type: CSI REQUEST-CLARIFY  
Final Call Type: CSI REQUEST-CLARIFY  
Priority: 7 Queue Type: R How Received: TELEPHONE  
Address: [REDACTED] 16TH AVE Community: SACRAMENTO  
District: 6 Zone: 6A Grid: 1051  
Telephone: -  
Call Taker: 3965 LEY, AMANDA 6164 Call Taker Desk: SR9

Initial Remarks :

IV53 --- CSI NEEDED FOR PHOTOS

Complainant Name: IV173 JOHNSON

Address: [REDACTED] 16TH AVE  
Home Phone: [REDACTED] CELL PHONE Bus Phone: 916 -

Clearance Remarks :

PHOTOS

Founded: No Report Expected: No

How Cleared: POLICE MATTER RESOLVED AT SCENE

BOLO: N

Reporting Officer1: 767 - PEIRSOL, MICHAEL 0431

Reporting Officer2:

Cleared By: 767 PEIRSOL, MICHAEL 0431 Clearance Desk/Unit ID: CSI21

Call Times:

Received : Dec-09-2012 14:03:07

Dispatch : Dec-09-2012 14:03:31

En Route : Dec-09-2012 14:09:33

On Scene : Dec-09-2012 14:19:18

Cleared : Dec-09-2012 15:02:50

Total - Units/Services: 2 Remarks: 0 Documents: 0 Entities: 0

Chronological Events

12-09-2012 14:03:17 SR9 3965 LEY, AMANDA 6164 Call Update

Related Call: ADDED TO PRIME:SA12-333418

12-09-2012 14:03:31 SR12 3508 YONEMURA, JENNIFER 6023 Status Change

CSI21 DP 767 PEIRSOL, MICHAEL 0431 3811  
16TH AVE

12-09-2012 14:03:36 SR12 3508 YONEMURA, JENNIFER 6023

CSI21 DP 767 PEIRSOL, MICHAEL 0431 FROM:  
P4// TO P6//

12-09-2012 14:03:49 SR12 3508 YONEMURA, JENNIFER 6023 Status Change

CSI21 IS 767 PEIRSOL, MICHAEL 0431

12-09-2012 14:03:49 SR12 3508 YONEMURA, JENNIFER 6023 Call Update

Call was REOPENED/REQUEUED: REOPENED CALL

SACRAMENTO POLICE DEPARTMENT  
COMPLAINT HARDCOPY

CP 2012 - 333433

Reported: Dec-09-2012 14:03:07

12-09-2012 14:03:57 SR12 3508 YONEMURA, JENNIFER 6023 Call Update  
**Priority: ADDED STACK TO SA12-333433 UNIT:CSI21**

12-09-2012 14:06:54 SR12 3508 YONEMURA, JENNIFER 6023 Call Update  
**Related Call: DELETED PRIME:SA12-333418**

12-09-2012 14:08:49 SR12 3508 YONEMURA, JENNIFER 6023 Call Update  
**Related Call: ADDED TO PRIME:SA12-445**

12-09-2012 14:08:53 SR12 3508 YONEMURA, JENNIFER 6023 Call Update  
**Related Call: DELETED PRIME:SA12-445**

12-09-2012 14:09:05 SR12 3508 YONEMURA, JENNIFER 6023 Call Update  
**Related Call: ADDED TO PRIME:SA12-332558**

12-09-2012 14:09:33 CSI21 767 PEIRSOL, MICHAEL 0431 Status Change  
**CSI21 ER 767 PEIRSOL, MICHAEL 0431  
SELF-DISPATCHED: [REDACTED] 16TH AVE/IV53 --- CSI NEEDED  
FOR PHOTOS**

12-09-2012 14:13:29 SR12 3508 YONEMURA, JENNIFER 6023 Call Update  
**Prime Unit changed: PRIME FOR SA12-333433 TO CSI21**

12-09-2012 14:13:29 SR12 3508 YONEMURA, JENNIFER 6023  
**CSI21 ER 767 PEIRSOL, MICHAEL 0431 PRIME  
FOR SA12-333433 TO CSI21**

12-09-2012 14:19:18 CSI21 767 PEIRSOL, MICHAEL 0431  
**CSI21 OS 767 PEIRSOL, MICHAEL 0431**

12-09-2012 14:36:23 CSI21 767 PEIRSOL, MICHAEL 0431 Status Change  
**CSI21 ER 767 PEIRSOL, MICHAEL 0431 JERPF**

12-09-2012 14:39:43 CSI21 767 PEIRSOL, MICHAEL 0431 Status Change  
**CSI21 OS 767 PEIRSOL, MICHAEL 0431**

12-09-2012 15:02:50 CSI21 767 PEIRSOL, MICHAEL 0431 Call Cleared  
**CSI21 IS 767 PEIRSOL, MICHAEL 0431 CLEARED  
CASE SA333433 FOUNDED-N REPORT-N CLEARED BY-A  
FINAL-CSI BOLO-N STUDY FLAG- PHOTOS**

12-09-2012 15:02:50 CSI21 767 PEIRSOL, MICHAEL 0431 Status Change  
**CSI21 IS 767 PEIRSOL, MICHAEL 0431**

Dispatch Information

Prime Unit: CSI21 Type:CI 767 PEIRSOL, MICHAEL 0431  
Dispatched: Dec-09-2012 14:09:33  
En Route : Dec-09-2012 14:36:23  
On Scene : Dec-09-2012 14:39:43  
In Service: Dec-09-2012 15:02:50

Backup Unit: CSI21 Type:CI 767 PEIRSOL, MICHAEL 0431  
Dispatched: Dec-09-2012 14:03:31  
In Service: Dec-09-2012 14:03:49

**SACRAMENTO POLICE DEPARTMENT  
COMPLAINT HARDCOPY**

**CP 2012 - 333433**

**Reported: Dec-09-2012 14:03:07**

**\*\* END OF HARDCOPY \*\***

**SACRAMENTO POLICE DEPARTMENT  
COMPLAINT HARDCOPY**

**CP 2012 - 333462**

**Reported: Dec-09-2012 14:42:41**

**Summary Information**

Call Number: SA 2012-333462 Date/In Time: Dec-09-2012 14:42:41 Status: CLOSED  
Initial Call Type: REPORT NUMBER ASSIGNMENT  
Final Call Type: REPORT NUMBER ASSIGNMENT  
Priority: 6 Queue Type: T How Received: TELEPHONE  
Address: 8349 FOLSOM BLVD Community: SACRAMENTO  
Place Name: in JACK IN THE BOX  
District: 3 Zone: 3C Grid: 1115  
Telephone: -  
Call Taker: 268 ENRIQUEZ, F 3020 ( ) Call Taker Desk: SYSTEM

**Initial Remarks :**

**CONNECT UP REPORT 12-332558**

Complainant Name: SGT ENRIQUEZ  
Home Phone: 916 808-0521 Bus Phone: 916 -

**Clearance Remarks :**

Founded: Yes Report Expected: Yes  
How Cleared: OTHER/OUTSIDE AGENCY  
BOLO: N  
Reporting Officer1: 3415 - VENTURA, ANDREA 6265  
Reporting Officer2:  
Cleared By: 3415 VENTURA, ANDREA 6265 Clearance Desk/Unit ID: SYSTEM

**Call Times:**

Received : Dec-09-2012 14:42:41  
Cleared : Dec-09-2012 14:46:27

Total - Units/Services: 0 Remarks: 0 Documents: 0 Entities: 0

**Chronological Events**

12-09-2012 14:46:27 SYSTEM 3415 VENTURA, ANDREA 6265 Call Update  
**Reporting Officer: CHANGED TO:SA3415**

12-09-2012 14:46:27 SYSTEM 3415 VENTURA, ANDREA 6265 Call Update  
**Call was CLEARED:**

**\*\* END OF HARDCOPY \*\***



SACRAMENTO POLICE DEPARTMENT  
COMPLAINT HARDCOPY

CP 2012 - 334265

Reported: Dec-10-2012 15:08:28

Summary Information

Call Number: SA 2012-334265 Date/In Time: Dec-10-2012 15:08:28 Status: CLOSED  
Initial Call Type: ROBBERY-CSI  
Final Call Type: ROBBERY-CSI  
Priority: 7 Queue Type: R How Received: VOICE(radio)  
Address: 555 SEQUOIA PACIFIC BLVD Community: SACRAMENTO  
Place Name: PROPERTY  
District: 3 Zone: 3A Grid: 0701  
Call Taker: 3858 DEARDORFF, JONTHOMAS 0570 Call Taker Desk: CSI35

Initial Remarks :

**RELATED TO 12-332558; BOOKING ITEMS FROM DRYING  
CABINET**

Clearance Remarks :

**SUPP TO 12-332558**

Founded: Yes Report Expected: No  
How Cleared: POLICE MATTER RESOLVED AT SCENE  
BOLO: N  
Reporting Officer1: 3858 - DEARDORFF, JONTHOMAS 05  
Reporting Officer2:  
Cleared By: 3858 DEARDORFF, JONTHOMAS 0570 Clearance Desk/Unit ID: CSI35

Call Times:

Received : Dec-10-2012 15:08:28  
Dispatch : Dec-10-2012 15:08:28  
En Route : Dec-10-2012 15:08:28  
On Scene : Dec-10-2012 15:08:28  
Cleared : Dec-10-2012 15:57:10

Total - Units/Services: 1 Remarks: 0 Documents: 0 Entities: 0

Chronological Events

12-10-2012 15:08:28 CSI35 3858 DEARDORFF, JONTHOMAS 0570 Status Change  
**CSI35 OS 3858 DEARDORFF, JONTHOMAS 0570  
ONVIEW:555 SEQUOIA PACIFIC BLVD/RELATED TO  
12-332558; BOOKING ITEMS FROM DRYING CABINET**

12-10-2012 15:09:10 SR9 639 MUDRON, DARLENE 6158 ( ) Call Update  
**Related Call: ADDED TO PRIME:SA12-332558**

12-10-2012 15:10:03 CSI35 3858 DEARDORFF, JONTHOMAS 0570 Status Change  
**CSI35 ER 3858 DEARDORFF, JONTHOMAS 0570**

12-10-2012 15:13:04 CSI35 3858 DEARDORFF, JONTHOMAS 0570 Status Change  
**CSI35 OS 3858 DEARDORFF, JONTHOMAS 0570**

12-10-2012 15:57:10 CSI35 3858 DEARDORFF, JONTHOMAS 0570 Call Cleared  
**CSI35 IS 3858 DEARDORFF, JONTHOMAS 0570  
CLEARED CASE SA334265 FOUNDED-Y REPORT-N CLEARED  
BY-A FINAL-211C BOLO-N STUDY FLAG- SUPP TO  
12-332558**

**SACRAMENTO POLICE DEPARTMENT  
COMPLAINT HARDCOPY**

**CP 2012 - 334265**

**Reported: Dec-10-2012 15:08:28**

12-10-2012 15:57:10 CSI35 3858 DEARDORFF, JONTHOMAS 0570 Status Change  
**CSI35 IS 3858 DEARDORFF, JONTHOMAS 0570**

**Dispatch Information**

Prime Unit: **CSI35 Type:CI 3858 DEARDORFF, JONTHOMAS 0570**  
Dispatched: **Dec-10-2012 15:08:28**  
En Route : **Dec-10-2012 15:10:03**  
On Scene : **Dec-10-2012 15:13:04**  
In Service: **Dec-10-2012 15:57:10**

**\*\* END OF HARDCOPY \*\***



# SACRAMENTO POLICE DEPARTMENT

## PUBLIC HARDCOPY

RELEASED PER PUBLIC RECORDS ACT REQUEST

GO# SA 2012-332558 CLEARED  
EXCEPTIONALLY

1315-19 245(A)(1)AWDW-NON-FIREARM

### General Offense Information

Operational status: **CLEARED EXCEPTIONALLY**

Reported on: **Dec-08-2012 (Sat.) 1232**

Occurred on: **Dec-08-2012 (Sat.) 1232**

Approved on: **Jan-23-2013 (Wed.)** by: **285 - STIGERTS, MARNIE J 4110**

Report submitted by: **3077 - MARQUEZ, GUILLERMO 0847**

Org unit: **OOO CENTRAL FOOT BEAT**

Address: **8349 FOLSOM BLVD**

Municipality: **SACRAMENTO** County: **SACRAMENTO COUNTY**

District: **3** Beat: **3C** Grid: **1115**

Felony/Misdemeanor: **FELONY**

Family violence: **No**

### Offenses (Completed/Attempted)

Offense: # **1** **1315-19 245(A)(1)AWDW-NON-FIREARM - COMPLETED**

Location: **RESTAURANTS**

Offender suspected of using: **N/A**

Weapon type: **HANDGUN**

Bias: **NONE (NO BIAS)**

Offense: # **2** **1099-0 207(A) PC FORCIBLY STEAL/TAKE - COMPLETED**

Location: **RESTAURANTS**

Offender suspected of using: **N/A**

Weapon type: **HANDGUN**

Bias: **NONE (NO BIAS)**

Offense: # **3** **1007-1 236 PC FALSE IMPRISONMENT - COMPLETED**

Location: **RESTAURANTS**

Offender suspected of using: **N/A**

Weapon type: **HANDGUN**

Bias: **NONE (NO BIAS)**



# SACRAMENTO POLICE DEPARTMENT

## PUBLIC HARDCOPY

RELEASED PER PUBLIC RECORDS ACT REQUEST

GO# SA 2012-332558 CLEARED  
EXCEPTIONALLY

1315-19 245(A)(1)AWDW-NON-FIREARM

### Related Attachment(s) - ATTACHMENTS

Attachment Description: **DA-7 FOR FUNCTIONALITY TEST ON SWAT RIFLES**

Reference Number:

#### Request for Crime Lab Examination

Complete this information for evidence listed below			Date of Request <b>12/09/12</b>
Laboratory Submission No. (For Crime Lab Use)	Victim [REDACTED]		Subject <b>Khang, Xang</b>
Offense <b>211 PC</b>	Date of Offense <b>12/08/12</b>	Victim	Subject
Agency <b>SPD</b>	Report No. <b>12-332558</b>	Victim	Subject
Property No. <b>763594</b>	Victim		Subject
Do you want this case compared to another case? Yes • No (Submit separate DA-7 for comparison case.)		Agency/Report No. of comparison case	(Crime Lab Use Only) Cross Reference Lab No.
Date Results Needed <b>ASAP</b>	DA Requesting Analysis	Phone Number	
Investigating Officer <b>Detective Kirtlan</b>	Phone Number <b>808-0678</b>	Email <a href="mailto:jkirtlan@pd.cityofsacramento.org">jkirtlan@pd.cityofsacramento.org</a>	

#### Reason for Request

Superior Court Trial	Date/Comments:
Pre-Trial Stage	Date/Comments:
Juvenile Hearing	Date/Comments:
<input checked="" type="checkbox"/> Investigative Information	Date/Comments:

#### Brief Summary of Circumstances

On 12/08/12, suspect Xang Khang attempted to rob the Jack in the Box restaurant located at 8349 Folsom Blvd. During the course of the robbery, Khang took hostages within the business. During a standoff with SWAT officers, Khang was shot. Six SWAT officers fired rifles into the business to subdue Khang. Khang subsequently died from injuries as a result of being shot.

#### Examination Requested

1. Please perform a functionality test on the six SWAT rifles that were fired during the incident.

#### Evidence

Item No.	Description	Source (i.e. victim/suspect)
763594-1	Remington .308 sniper rifle	SPD SWAT
763594-2	Remington .308 sniper rifle	SPD SWAT
763594-3	DPMS Panther .308 rifle	SPD SWAT
763594-4	Colt 5.56 rifle	SPD SWAT
763594-5	Colt 5.56 rifle	SPD SWAT
763594-6	Colt 5.56 rifle	SPD SWAT

#### Chain of Custody

From	Agency	To	Date	Time

Sacramento County District Attorney  
Laboratory of Forensic Services  
916. 874.9240 • 916.874.9620 (Fax)

Title: DA-7  
Approved by: Laboratory Director  
Issue Date: 05/2010

Revision No: 1  
Document Class: Forms



# SACRAMENTO POLICE DEPARTMENT

## PUBLIC HARDCOPY

RELEASED PER PUBLIC RECORDS ACT REQUEST

GO# SA 2012-332558 CLEARED  
EXCEPTIONALLY

1315-19 245(A)(1)AWDW-NON-FIREARM

### Related Attachment(s) - ATTACHMENTS

Attachment Description: **CRIME SCENE LOG**

Reference Number:

12-332558

### CRIME SCENE LOG

CALL #: 12-332558

RECORDER: S. WILKINS #877

CRIME: 211 P DATE: 12/5/12 TIME: 1232 SCENE SGT.: STAGING LOCATION: 3117 Folsom Blvd

REPORT # 12-332558

NAME	BADGE #	AGENCY	ENTRY TIME	REASON FOR ENTRY
AZEVEDO, J	809	SPD	1446	K98
MATTHEW, L	353	SPD	1258	K91
THOMPSON	471	SPD	1347	K910
FREEMAN	3011	SPD		25m16 (SGT)
DEARDORE	570	SPD	1538	CST
EDGERTON	826	SPD	1446	UNU14 (SWAT)
KAREN	3060	SPD	1352	UNU21 (SWAT)
MARIS	236	SPD		
CHARNIER	807	SPD	1735	UNU13 (SWAT)
KRIEHN	406	SPD	1446	UNU12 (SWAT)
WALTERS	453	SPD		(SWAT)
A. DAVIS	853	SPD	1342	UNU15 (SWAT)
ROBIN	3206-864	SPD	1446	UNU25 (SWAT)
KIRKMAN	645	SPD	1314	UNU23 (SWAT)
STARVUS	402	SPD	1446	(SWAT)
BLESSING	866	SPD	1446	UNU22 (SWAT)
SGT. NICHOLS	3016	SPD	1446	UNU20 (SWAT)
SGT. BROWN	3076	SPD	1537	UNU10 (SWAT)
BEVINS	287	SPD	1446	UNU26 (SWAT)
YOUNG	313	SPD	1446	UNU27 (SWAT)
WILKINS	618	SPD	1239	UNU33 (SWAT)
WILKINS	560	SPD	1323	UNU24 (SWAT)

SPD 280 (REV 03/04)

SACRAMENTO POLICE  
RECORDS DIVISION  
RECEIVED  
2012 DEC -9 A 6:41



# SACRAMENTO POLICE DEPARTMENT

## PUBLIC HARDCOPY

RELEASED PER PUBLIC RECORDS ACT REQUEST

GO# SA 2012-332558 CLEARED  
EXCEPTIONALLY

1315-19 245(A)(1)AWDW-NON-FIREARM

12-332558

### CRIME SCENE LOG

CALL #: 12-332558

REPORT #: 12-332558

RECORDER: S. REIGAS A887

CRIME: 211R DATE: 12/12 TIME: 1232 SCENE SGT.: STAGING LOCATION: 8349 Folsom Blvd

NAME	BADGE #	AGENCY	ENTRY TIME	REASON FOR ENTRY
Sgt. LOMMORI	3005	SPD	1627	28M3 (SGT.)
CHIEF BRADIE	5030	SPD	1627	CHIEF
LT. SWEBBY	4079	SPD	1627	LVJ3
LT. JOY	4063	SPD	1627	
BATES	257	SPD	1627	2C67
041545	887	SPD	1630	2C67
MCANNIEL	6183	SPD	1630	
LEY	567	SPD		
LOPEZ	578	SPD		
STREICH	247	SPD	1600	1C38
LT. DAVIS	4096	SPD	1650	LV10
DEANDEA	302	SPD	1720	
M. JOHNSON	706	SPD	1852	EV173
EVN	815	SPD	1658	EV170
S. RICHARDSON	621	SPD	1729	EV62
TRIMPEY	806	SPD	1852	
MOVIC	3053	SPD	1852	JOBY
A. SMITH	338	SPD	1820	S.P.O.1A
SGT. MORRIS	3023	SPD		35M3 (SGT.)
TAEL	276	SPD	1820	EV113
T. ODBERT	—	—	1820	MANHATTAN OFFICE
SGT. STIGBERT	3096	SPD	1920	EV10

SPD 280 (REV 08/04)



# SACRAMENTO POLICE DEPARTMENT

## PUBLIC HARDCOPY

RELEASED PER PUBLIC RECORDS ACT REQUEST

GO# SA 2012-332558 CLEARED  
EXCEPTIONALLY

1315-19 245(A)(1)AWDW-NON-FIREARM

12-332558

### CRIME SCENE LOG

CALL #: 12-332558

REPORT #: 12-332558

RECORDER: S. BELLEROS #887

CRIME: 2119 DATE: 12/1/12 TIME: 1232 SCENE SGT.: STAGING LOCATION: 344 Folsom Blvd

NAME	BADGE #	AGENCY	ENTRY TIME	REASON FOR ENTRY
MICHAELFEET	749	SPD	1820	MEAS
KITLAN	329	SPD	1820	TUVIS
VASSALLO	3077	SPD	1820	T.A.
WALLIS	528	SPD	1820	
TASPARASOU	490	SPD	1820	
BANKS	474	SPD	1842	EVYU6
SGT. CAMPOS	3032	SPD	1842	S.P.O.A
JEFF EDWARDS			1842	LAW ENFT
SAROE LICH	6376	SPD	1842	
SEAN HOWLER			1900	MANAGEMENT OFFICE
F. TURKOVIC			1900	O.P.S.A
AMBERLE			1900	DA'S OFFICE
BARBERICA			1900	DA'S OFFICE
T. CARA	205	SPD	1905	CSI 31
M. ABUIZ	218	SPD	1828	CSI 32
BAKER	651	SPD	1738	
K. ROYO	90	SPD	1739	F137

SPD 280 (REV 03/04)



# SACRAMENTO POLICE DEPARTMENT

## PUBLIC HARDCOPY

RELEASED PER PUBLIC RECORDS ACT REQUEST

GO# SA 2012-332558 CLEARED  
EXCEPTIONALLY

1315-19 245(A)(1)AWDW-NON-FIREARM

### Related Attachment(s) - ATTACHMENTS

Attachment Description: **DEATH IN CUSTODY REPORTING FORM**

Reference Number:

12-332558



**Sacramento Police Department**  
**Office of Investigations**  
5770 Freeport Blvd.  
Sacramento, Ca 95822-3516

**Phone: (916) 808-0650**

**Fax: (916) 808-0660**

Date: 12/17/2012

To: DOJ Criminal Justice Statistics Center (916) 227-0427  
Name Agency/Department/Business Fax Number

Comments: \_\_\_\_\_  
\_\_\_\_\_  
\_\_\_\_\_

2012 DEC 18 A 7:40  
RECEIVED  
CRIMINAL DIVISION  
SACRAMENTO POLICE

You will receive 4 pages including this cover sheet. If you do not receive all of the pages, call the sender listed below.

Sender: F. Enriquez, Sergeant Homicide Unit (916) 808-0521  
Name/Title Section/Unit Phone Number

*The document being faxed is intend only for the use of the individual of entity to which it is addressed and may contain information that is privileged confidential and exempt from disclosure under applicable law. If the reader is not intended recipient or the employee or agent responsible for delivering the message to the intended recipient, you are hereby notified that any copying, dissemination or distribution of this communication is strictly prohibited. If you have received this communication in error, please notify us immediately by telephone and return the original message to us at the above address via the United States Postal Service. Thank You.*





# SACRAMENTO POLICE DEPARTMENT

## PUBLIC HARDCOPY

RELEASED PER PUBLIC RECORDS ACT REQUEST

GO# SA 2012-332558 CLEARED  
EXCEPTIONALLY

1315-19 245(A)(1)AWDW-NON-FIREARM

12-332558

To: DOJ Criminal Justice Statistics Center (916) 227-0427  
 Name Agency/Department/Business Fax Number

Comments: \_\_\_\_\_  
 \_\_\_\_\_  
 \_\_\_\_\_

You will receive 4 pages including this cover sheet. If you do not receive all of the pages, call the sender listed below.

Sender: F. Enriquez, Sergeant Homicide Unit (916) 808-0521  
 Name/Title Section/Unit Phone Number

*The document being faxed is intend only for the use of the individual of entity to which it is addressed and may contain information that is privileged confidential and exempt from disclosure under applicable law. If the reader is not intended recipient or the employee or agent responsible for delivering the message to the intended recipient, you are hereby notified that any copying, dissemination or distribution of this communication is strictly prohibited. If you have received this communication in error, please notify us immediately by telephone and return the original message to us at the above address via the United States Postal Service. Thank You.*

12/17 09:17 92270427  
 00:02:08  
 04  
 OK  
 STANDARD  
 ECM

DATE, TIME  
 FAX NO./NAME  
 DURATION  
 PAGE(S)  
 RESULT  
 MODE

TIME : 12/17/2012 09:19  
 NAME : SAC POLICE  
 FAX : 9168080606  
 TEL : 9168080606  
 SER.# : 000H9N128970

TRANSMISSION VERIFICATION REPORT



**SACRAMENTO POLICE DEPARTMENT**

**PUBLIC HARDCOPY**

**RELEASED PER PUBLIC RECORDS ACT REQUEST**

**GO# SA 2012-332558 CLEARED  
EXCEPTIONALLY**

**1315-19 245(A)(1)AWDW-NON-FIREARM**

12-332558

State of California  
BCIA 713 (rev. 11/05)

Department of Justice

**DEATH IN CUSTODY REPORTING FORM**

**DOJ USE ONLY**

**RECORD KEY**

**AGENCY TYPE**

Police  
 Sheriff  
 Probation  
 State  
 Other Local

**AGENCY NCIC NUMBER**

**COUNTY**

ORIGINAL  AMENDMENT

**DATE OF DEATH** 12 / 08 / 2012 **SUBJECT NAME** Khang Xang  
MM DD YYYY Last First Middle

**CII NUMBER** [REDACTED] **DATE OF BIRTH** 04 / 13 / 1986  
MM DD YYYY

**GENDER**  
 Male  
 Female

**RACE/ETHNICITY (Check One)**

Other Asian  
 Black  
 Chinese  
 Cambodian  
 Filipino  
 Guamanian  
 Hispanic  
 American Indian  
 Japanese

Korean  
 Laotian  
 Other  
 Pacific Islander  
 Samoan  
 Hawaiian  
 Vietnamese  
 White  
 Asian Indian

**DOJ USE ONLY**

**CUSTODY OFFENSE**  
245(a)(2), 211, 236PC

**CUSTODY STATUS (Check One)**

Process of Arrest  
 In Transit  
 Awaiting Booking  
 Booked - No Charges Filed  
 Booked - Awaiting Trial  
 Sentenced  
 Out to Court  
 Other

**CUSTODIAL RESPONSIBILITY AT TIME OF DEATH (Check One)**

Process of Arrest  
 City Jail  
 County Jail  
 Adult Camp or Ranch  
 Local Juvenile Facility/Camp  
 Adult Operations and Adult Programs (formerly CDC)  
 Division of Juvenile Justice (formerly CYA)  
 State Hospital  
 Other

**LOCATION WHERE CAUSE OF DEATH OCCURRED (Check One)**

Not Applicable (Natural)  
 Crime/Arrest Scene  
 Facility -- Administrative  
 Facility -- Booking  
 Facility -- Living  
 Facility -- Common  
 Facility -- Holding  
 Facility -- Medical Treatment  
 Other

**FACILITY OF DEATH (Check One)**

Crime/Arrest Scene  
 Local Hospital  
 City Jail  
 County Jail  
 Adult Camp or Ranch  
 Local Juvenile Facility/Camp  
 Adult Operations and Adult Programs (formerly CDC)  
 Division of Juvenile Justice (formerly CYA)  
 State Hospital  
 Other

**MANNER OF DEATH (Check One)**

Pending Investigation  
 Natural  
 Accidental -- Injury to Self  
 Accidental -- Injury by Other  
 Suicide  
 Homicide Willful (Law Enforcement Staff)  
 Homicide Willful (Other Inmate)  
 Homicide Justified (Law Enforcement Staff)  
 Homicide Justified (Other Inmate)  
 Execution  
 Cannot Be Determined  
 Other

**MEANS OF DEATH (Check One)**

Pending Investigation  
 Not Applicable (Natural)  
 Handgun  
 Rifle/Shotgun  
 Club, Blunt Instrument  
 Hands, Feet, Fists  
 Knife, Cutting Instrument  
 Hanging, Strangulation  
 Alcohol/Drug Overdose  
 Execution: Lethal Gas/Injection  
 Cannot Be Determined  
 Other

**DATA SUPPLIED BY (Please print the following information):**

Name: Justin Eklund Title: Major Crimes Division Lieutenant  
Agency: Sacramento Police Department Telephone: (916) 808-0652  
Address: 5770 Freeport Boulevard, Suite 100, Sacramento, California, 95823

Send completed form to: Department of Justice  
Criminal Justice Statistics Center  
P.O. Box 903427  
Sacramento, CA 94203-4270  
Facsimile: (916) 227-0427 or 227-3561  
Telephone: (916) 227-3545

SPD 920 (Rev 12/08)



# SACRAMENTO POLICE DEPARTMENT

## PUBLIC HARDCOPY

### RELEASED PER PUBLIC RECORDS ACT REQUEST

GO# SA 2012-332558 CLEARED  
EXCEPTIONALLY

1315-19 245(A)(1)AWDW-NON-FIREARM

12-332558

#### CJ-11A ADDENDUM

OMB No. 1121-0249 Approval Expires 12/31/2012

RETURN TO: State reporting coordinator  
(See form CJ-11 for a national listing, or call the Bureau of  
Justice Statistics at 202.307.0765.)

Form CJ-11A  
ARREST-RELATED DEATH REPORT  
2012



State California

Reporting period (Mark only one)

- Quarter 1 (January 1–March 31)  Quarter 2 (April 1–June 30)  Quarter 3 (July 1–September 30)  Quarter 4 (October 1–December 31)

#### 1. What was the name of the deceased?

Last First Middle initial  
Khang Xang \_\_\_\_\_

#### 2. What was the time and date of death?

5:01 AM  AM  PM Month 12 Day 8, 2012

#### 3. Where did the event causing the death occur?

Street address 8349 Folsom Boulevard  
City, State, Zip Sacramento, Ca. 95826

#### 4. What law enforcement agency was involved?

Name Sacramento Police Department  
ORI# CA340400

#### 5. What was the deceased's date of birth?

Month 4 Day 13 Year 1986 or Age 26

#### 6. What was the deceased's sex?

- 01  Male  
02  Female

#### 7. What was the deceased's race/ethnic origin?

- 01  White (not of Hispanic origin)  
02  Black, or African American (not of Hispanic origin)  
03  Hispanic or Latino  
04  American Indian/Alaska Native (not of Hispanic origin)  
05  Asian (not of Hispanic origin)  
06  Native Hawaiian or Other Pacific Islander (not of Hispanic origin)  
07  Two or more races (not of Hispanic origin)  
08  Additional categories in your information system  
Specify  
Hmong  
98  Don't know

#### 8. What was the manner of death?

- 01  Homicide by law enforcement officer(s)  
02  Other homicide  
03  Suicide  
04  Accidental injury to self  
05  Accidental injury caused by others  
06  Accidental alcohol/drug intoxication

Specify \_\_\_\_\_

07  Illness—Specify \_\_\_\_\_

08  Other—Specify \_\_\_\_\_

#### 9. What was the cause of death?

Gunshot wounds

#### 10. Was the cause of death listed above determined from information in a death certificate?

- 01  Yes  
02  No—other—Specify Autopsy

#### 11. Did the deceased commit or allegedly commit any criminal offenses in the events leading up to the death?

- 01  Yes  
02  No—medical/mental health assistance call  
03  No—other—Specify \_\_\_\_\_

#### 12. What were the most serious reported offenses by the deceased?

- 01 Assault with a Deadly Weapon (firearm)  
02 Armed Robbery  
03 False Imprisonment

#### 13. Did the deceased die from a medical condition, injuries sustained during the arrest process, or alcohol/drug intoxication?—Mark (x) all that apply

- 01  Medical condition (e.g., heart attack)  
02  Injuries  
03  Alcohol/drug intoxication  
98  Don't know

#### Burden Statement

Under the Paperwork Reduction Act, we cannot ask you to respond to a collection of information unless it displays a currently valid OMB control number. The burden of this collection is estimated to average 60 minutes per response, including reviewing instructions, searching existing data sources, gathering necessary data, and completing and reviewing this form. Send comments regarding this burden estimate or any aspect of this survey, including suggestions for reducing this burden, to the Director, Bureau of Justice Statistics, 810 Seventh Street, N.W., Washington, DC 20531.



# SACRAMENTO POLICE DEPARTMENT

## PUBLIC HARDCOPY

### RELEASED PER PUBLIC RECORDS ACT REQUEST

GO# SA 2012-332558 CLEARED  
EXCEPTIONALLY

1315-19 245(A)(1)AWDW-NON-FIREARM

12-332558

Name of deceased Khang, Xang

**14. If the deceased died from arrest-related injuries, how were these injuries sustained?—Mark (x) all that apply**

- 01  Inflicted by law enforcement officers at crime/arrest scene
- 02  Inflicted by others at crime/arrest scene
- 03  Inflicted by law enforcement officers during transit/booking
- 04  Self-inflicted—Accidental
- 05  Self-inflicted—Suicide
- 98  Don't know
- 99  Not applicable

**15. Were any of the following used by law enforcement officers during the arrest process?**

- 01  Yes—Mark (x) all that apply
  - 01  Handcuffs
  - 02  Leg shackles
  - 03  Pepper spray, mace
  - 04  Conducted energy device (e.g., taser, stun-gun)
  - 05  Firearm discharge
  - 06  Other device (e.g., tire deflation device)

Specify \_\_\_\_\_

- 02  No
- 98  Don't know

**16. At any time during the arrest process, did the deceased—Mark (x) all that apply**

- 01  Appear intoxicated (either alcohol or drugs)?
- 02  Exhibit any mental health problems?
- 03  Verbally threaten the officer(s) involved?
- 04  Resist being handcuffed or arrested?
- 05  Attempt to escape/flee from custody?
- 06  Attempt to grab, hit or fight with the officer(s) involved?
- 97  None of the above
- 98  Don't know

**17. During the arrest process, did the deceased do any of the following—Mark (x) all that apply**

- 01  Carry or possess a weapon?—Specify weapons  
A loaded .22 caliber revolver
- 02  Use a weapon to threaten the officer(s)?—Specify \_\_\_\_\_
- 03  Use a weapon to threaten other persons?—Specify  
Pointed revolver at several hostages
- 04  Use a weapon to assault the officer(s)?—Specify \_\_\_\_\_
- 05  Use a weapon to assault other persons?—Specify  
Fired at a fleeing hostage, bullet misfired
- 97  None of the above

**18. If a weapon caused the death, what types of weapons were used?—Mark (x) all that apply**

- 01  Handgun
- 02  Rifle/shotgun
- 03  Firearm, unspecified
- 04  Nightstick or baton
- 05  Conducted energy device
- 06  Other weapon

Specify \_\_\_\_\_

- 98  Don't know
- 99  Not applicable

**19. Where did the death occur?**

- 01  At booking center/police lockup—Complete items 20–23
- 02  At crime/arrest scene
- 03  At medical facility following clinical intervention
- 04  Dead on arrival at medical facility
- 05  En route to booking center/police lockup
- 06  Elsewhere

Form complete, stop here

Specify location \_\_\_\_\_

**Complete the rest of this form only if the death occurred at a booking center.**

**20. What was the time and date of the deceased's entry into the law enforcement facility where the death occurred?**

\_\_\_\_:\_\_\_\_  AM  PM Month \_\_\_\_\_ Day \_\_\_\_\_, 2012

**21. At the time of entry into the law enforcement facility, did the deceased—Mark (x) all that apply**

- 01  Appear intoxicated (either alcohol or drugs)?
- 02  Exhibit any mental health problems?
- 03  Exhibit any medical problems?
- 97  None of the above
- 98  Don't know

**22. If death was an accident or homicide, who caused the death?**

- 01  Deceased
- 02  Other detainees
- 03  Law enforcement/correctional staff
- 04  Other persons

Specify \_\_\_\_\_

- 98  Don't know
- 99  Not applicable; cause of death was suicide, intoxication, or illness

**23. If death was an accident, homicide or suicide, what was the means of death?—Mark (x) all that apply**

- 01  Firearm
- 02  Blunt instrument
- 03  Knife, cutting instrument
- 04  Hanging, strangulation
- 05  Drug overdose
- 06  Other

Specify \_\_\_\_\_

- 99  Not applicable; cause of death was intoxication or illness

**Notes**

Report number: 12-332558



# SACRAMENTO POLICE DEPARTMENT

## PUBLIC HARDCOPY

RELEASED PER PUBLIC RECORDS ACT REQUEST

GO# SA 2012-332558 CLEARED  
EXCEPTIONALLY

1315-19 245(A)(1)AWDW-NON-FIREARM

### Related Attachment(s) - OTHER

Attachment Description: **CRIME SCENE LOG - ORIGINAL**

Reference Number:

# ORIGINAL

## CRIME SCENE LOG

CALL # 12-332558

REPORT # 12-332558

RECORDER: S. BILLYAS #887

CRIME: 211 P DATE: 12/11/12 TIME: 1232 SCENE SGT.: STAGING LOCATION: 8347 Folsom Blvd

NAME	BADGE #	AGENCY	ENTRY TIME	REASON FOR ENTRY
AZEVEDO, J	809	SPD	1446	K98
MATTHEW, L	353	SPD	1258	K91
THOMASON	471	SPD	1347	K910
FOERMAN	3011	SPD		25M6 (SGT)
DEARDOREF	570	SPD	1537	65E
EDGERTON	826	SPD	1446	UN114 (SWAT)
EMEN	3066	SPD	1352	UN131 (SWAT)
MARIS	236	SPD		
CHANDLER	807	SPD	1735	UN113 (SWAT)
KRIEHN	406	SPD	1446	UN112 (SWAT)
MALIBAS	453	SPD		
A. DAVID	853	SPD	1342	UN115 (SWAT)
ROSEN	3206-8664	SPD	1446	UN125 (SWAT)
KIATLON	645	SPD	1314	UN123 (SWAT)
STARVUS	402	SPD	1446	(SWAT)
RESSIVUS	266	SPD	1446	UN122 (SWAT)
SGT. ALHOLDS	3016	SPD	1446	UN120 (SWAT)
SGT. BLOWN	3076	SPD	1537	UN110 (SWAT)
BEVINS	227	SPD	1446	UN126 (SWAT)
YOUNG	213	SPD	1446	UN127 (SWAT)
VILIBAS	618	SPD	1239	UN133 (SWAT)
LIGHTFOOT	560	SPD	1323	UN124 (SWAT)

SPD 280 (REV 0304)

143



# SACRAMENTO POLICE DEPARTMENT

## PUBLIC HARDCOPY

RELEASED PER PUBLIC RECORDS ACT REQUEST

GO# SA 2012-332558 CLEARED  
EXCEPTIONALLY

1315-19 245(A)(1)AWDW-NON-FIREARM

CALL # 12-332558

RECORDER: S. BOLKAS #887

CRIME: 211P DATE: 12/5/12 TIME: 1232 SCENE SGT.:

STAGING LOCATION: 8349 Folsom Blvd

REPORT # 12-332558

### ORIGINAL CRIME SCENE LOG

NAME	BADGE #	AGENCY	ENTRY TIME	REASON FOR ENTRY
<u>Sgt. LOMMART</u>	<u>3005</u>	<u>SPD</u>	<u>1627</u>	<u>25m3 (Sgt.)</u>
<u>CHIEF BARAZIEL</u>	<u>5030</u>	<u>SPD</u>	<u>1627</u>	<u>CHIEF</u>
<u>Lt. SWENEY</u>	<u>4079</u>	<u>SPD</u>	<u>1627</u>	<u>LV3</u>
<u>Lt. JOY</u>	<u>4063</u>	<u>SPD</u>	<u>1627</u>	
<u>HATES</u>	<u>257</u>	<u>SPD</u>	<u>1627</u>	<u>2C67</u>
<u>021565</u>	<u>887</u>	<u>SPD</u>	<u>1630</u>	<u>2C67</u>
<u>MCORNUIC</u>	<u>6183</u>	<u>SPD</u>	<u>1630</u>	
<u>LEY</u>	<u>567</u>	<u>SPD</u>		
<u>LOPEZ</u>	<u>578</u>	<u>SPD</u>		
<u>STREICH</u>	<u>247</u>	<u>SPD</u>	<u>1600</u>	<u>1C38</u>
<u>Lt. DAVIS</u>	<u>4096</u>	<u>SPD</u>	<u>1650</u>	<u>LV10</u>
<u>DEANMAN</u>	<u>302</u>	<u>SPD</u>	<u>1700</u>	
<u>M. JOHNSON</u>	<u>726</u>	<u>SPD</u>	<u>1852</u>	<u>IV173</u>
<u>FRU</u>	<u>815</u>	<u>SPD</u>	<u>1658</u>	<u>IV170</u>
<u>S. RICHARDSON</u>	<u>621</u>	<u>SPD</u>	<u>1729</u>	<u>IV62</u>
<u>TRIMPEY</u>	<u>806</u>	<u>SPD</u>	<u>1822</u>	
<u>MORIC</u>	<u>3033</u>	<u>SPD</u>	<u>1852</u>	<u>TU24</u>
<u>D. SMITH</u>	<u>338</u>	<u>SPD</u>	<u>1820</u>	<u>S.I.P.01A</u>
<u>Sgt. MORRIS</u>	<u>3023</u>	<u>SPD</u>		<u>35m3 (Sgt.)</u>
<u>TOEL</u>	<u>216</u>	<u>SPD</u>	<u>1820</u>	<u>IV113</u>
<u>T. DORSET</u>	<u>—</u>	<u>—</u>	<u>1820</u>	<u>MARKING OFFICER</u>
<u>Sgt. STIBBEET</u>	<u>3016</u>	<u>SPD</u>	<u>1820</u>	<u>IV110</u>

SPD 280 (REV 03/04)

2 of 3



# SACRAMENTO POLICE DEPARTMENT

## PUBLIC HARDCOPY

### RELEASED PER PUBLIC RECORDS ACT REQUEST

GO# SA 2012-332558 CLEARED  
EXCEPTIONALLY

1315-19 245(A)(1)AWDW-NON-FIREARM

# ORIGINAL CRIME SCENE LOG

CALL # 12-332558

REPORT # 12-332558

RECORDER: S. RALPHS #587

CRIME: 219 DATE: 12/8/12 TIME: 1232 SCENE SGT.:  STAGING LOCATION: 871 Folsom Blvd

NAME	BADGE #	AGENCY	ENTRY TIME	REASON FOR ENTRY
MCLAFFERTY	744	SPD	1820	MEGAS
KUTLAN	309	SPD	1820	TUYS
VASSALLO	307	SPD	1820	I.A.
WALLIS	508	SPD	1820	
JASPARSON	410	SPD	1820	
BANKS	474	SPD	1842	EVER6
SGT. HAMMUS	3032	SPD	1842	S.P.D.A.
JEFF EDWARDS			1842	LAW FIRM
SARDELICH	6376	SPD	1842	
SEAN HOWELL			1900	MASTREY OFFICE
F. THURGOOD			1900	O.P.S.A.
HAMBRELL			1900	O.A'S OFFICE
HARRERICH			1900	O.A'S OFFICE
D. CARR	205	SPD	1905	CSI 31
M. ARUZ	278	SPD	1848	CSI 32
BAKER	651 90	SPD	1738	
K. ROYO		SPD	1739	F139

SPD 280 (REV 03/04)

3063



# SACRAMENTO POLICE DEPARTMENT

## PUBLIC HARDCOPY

RELEASED PER PUBLIC RECORDS ACT REQUEST

GO# SA 2012-332558 CLEARED  
EXCEPTIONALLY

1315-19 245(A)(1)AWDW-NON-FIREARM

### Related Attachment(s) - ATTACHMENTS

Attachment Description: **DIAGRAM & PHYSICAL EVIDENCE SHEET**

Reference Number:

SACRAMENTO POLICE DEPARTMENT  
**DIAGRAM AND PHYSICAL EVIDENCE SHEET**

**ORIGINAL**

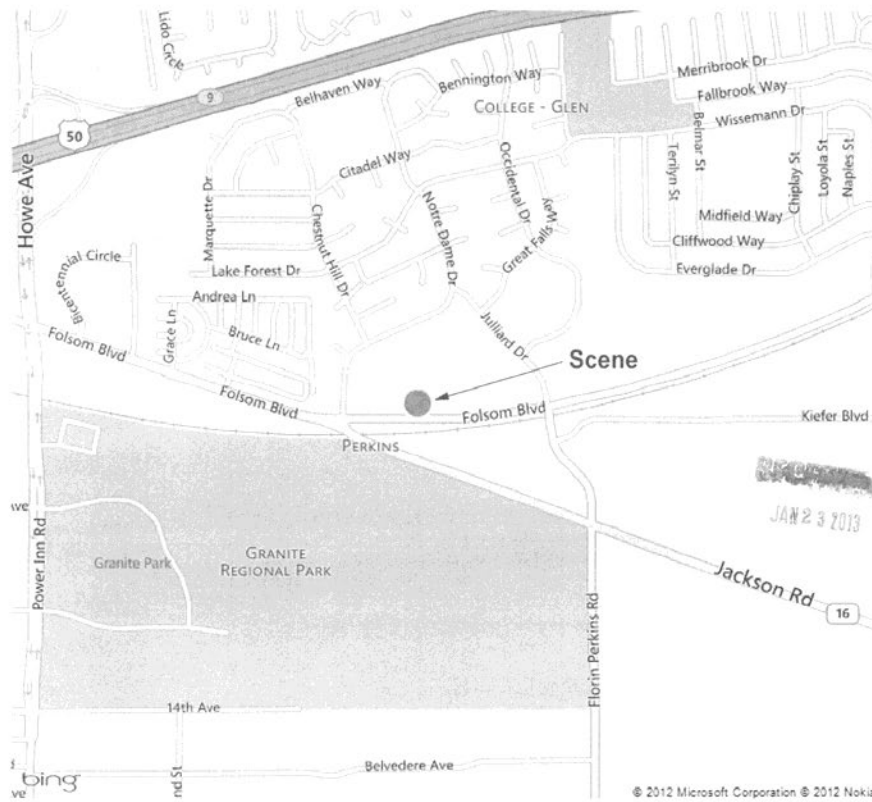
CLASS 211 PC	REPORT NUMBER 12-332558
VICTIM Jack-in-the-Box	LOCATION 8349 Folsom Blvd

ALL MEASUREMENTS ARE APPROXIMATE AND NOT TO SCALE UNLESS STATED (SCALE = N/A )

Diagram #1  
Scene  
8349 Folsom Blvd  
Jack-in-the-Box



NORTH



PREPARED BY J. Todd Carr	BADGE # 205	UNIT CSI31	DIV 97	YRS OF SERVICE 10 Yrs	DATE 12/8/12	TIME
ASSISTING OFFICER	BADGE #	UNIT	DIV	YRS OF SERVICE	DATE	TIME
RECEIVED BY <i>A. Schmel</i>	BADGE # <i>6365</i>	UNIT <i>CSJ</i>	DIV <i>97</i>	YRS OF SERVICE <i>22</i>	DATE <i>1/19/13</i>	TIME

SPD 141 (REV 8/00)

PAGE 1 OF 2





# SACRAMENTO POLICE DEPARTMENT

## PUBLIC HARDCOPY

RELEASED PER PUBLIC RECORDS ACT REQUEST

GO# SA 2012-332558 CLEARED  
EXCEPTIONALLY

1315-19 245(A)(1)AWDW-NON-FIREARM

### SACRAMENTO POLICE DEPARTMENT DIAGRAM AND PHYSICAL EVIDENCE SHEET

# ORIGINAL

REPORT NUMBER  
12-332558

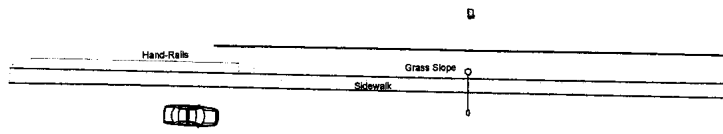
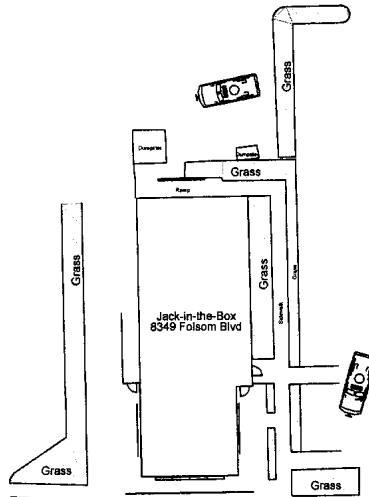
CLASS 211 PC

VICTIM Jack-in-the-Box

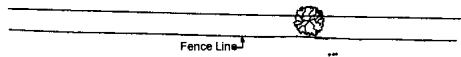
LOCATION 8349 Folsom Blvd

ALL MEASUREMENTS ARE APPROXIMATE AND NOT TO SCALE UNLESS STATED (SCALE = N/A )

Diagram #2  
8349 Folsom Blvd  
Jack-in-the-Box



Folsom Blvd



⊙ = Total Station

PREPARED BY J. Todd Carr	BADGE # 205	UNIT CSI31	DIV 97	YRS OF SERVICE 10 Yrs	DATE 12/8/12	TIME
ASSISTING OFFICER	BADGE #	UNIT	DIV	YRS OF SERVICE	DATE	TIME
RECEIVED BY <i>A Schiel</i>	BADGE # 6819	UNIT CS5	DIV 97	YRS OF SERVICE 22	DATE 1/18/13	TIME

SPD 141 (REV 8/00)

PAGE 2 OF 2



# SACRAMENTO POLICE DEPARTMENT

## PUBLIC HARDCOPY

RELEASED PER PUBLIC RECORDS ACT REQUEST

GO# SA 2012-332558 CLEARED  
EXCEPTIONALLY

1315-19 245(A)(1)AWDW-NON-FIREARM

### SACRAMENTO POLICE DEPARTMENT DIAGRAM AND PHYSICAL EVIDENCE SHEET

**ORIGINAL**

CLASS 211 PC

REPORT NUMBER  
12-332558

VICTIM Jack-in-the-Box

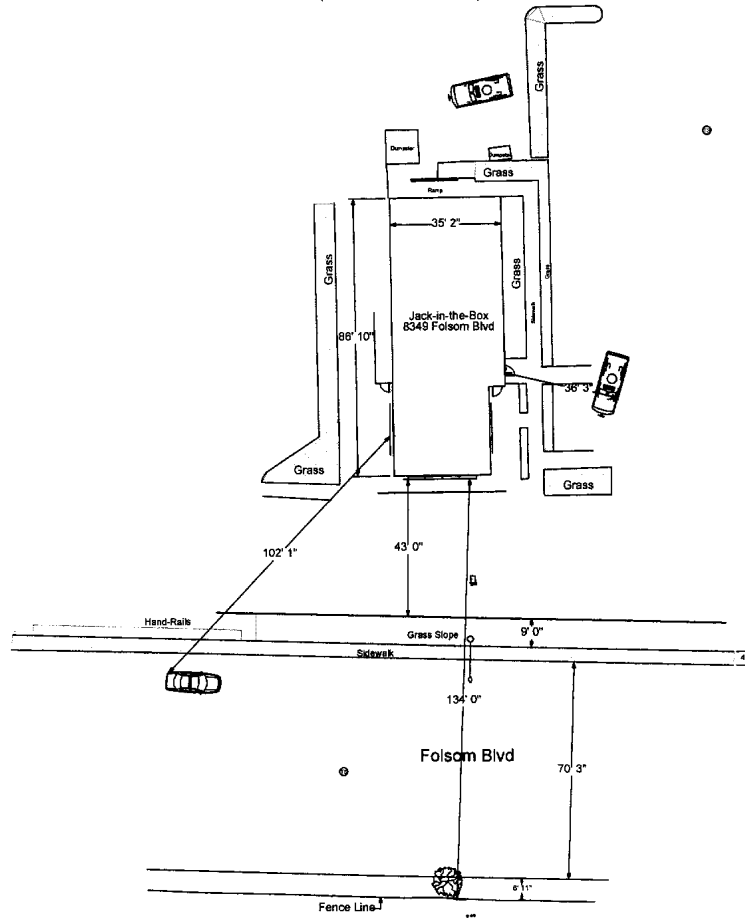
LOCATION 8349 Folsom Blvd

ALL MEASUREMENTS ARE APPROXIMATE AND NOT TO SCALE UNLESS STATED (SCALE = N/A )

Diagram #3  
8349 Folsom Blvd  
Jack-in-the-Box  
(With Measurements)



NORTH



⊙ = Total Station

PREPARED BY	J. Todd Carr	BADGE #	205	UNIT	CSI31	DIV	97	YRS OF SERVICE	10 Yrs	DATE	12/8/12	TIME
ASSISTING OFFICER		BADGE #		UNIT		DIV		YRS OF SERVICE		DATE		TIME
RECEIVED BY	<i>A. Schiwe</i>	BADGE #	6368	UNIT	CS	DIV	97	YRS OF SERVICE	12	DATE	1/18/13	TIME

SPD 141 (REV 8/00)

PAGE 3 of 3



# SACRAMENTO POLICE DEPARTMENT

## PUBLIC HARDCOPY

RELEASED PER PUBLIC RECORDS ACT REQUEST

GO# SA 2012-332558 CLEARED  
EXCEPTIONALLY

1315-19 245(A)(1)AWDW-NON-FIREARM

### SACRAMENTO POLICE DEPARTMENT DIAGRAM AND PHYSICAL EVIDENCE SHEET

# ORIGINAL

REPORT NUMBER  
12-332558

CLASS 211 PC

VICTIM Jack-in-the-Box

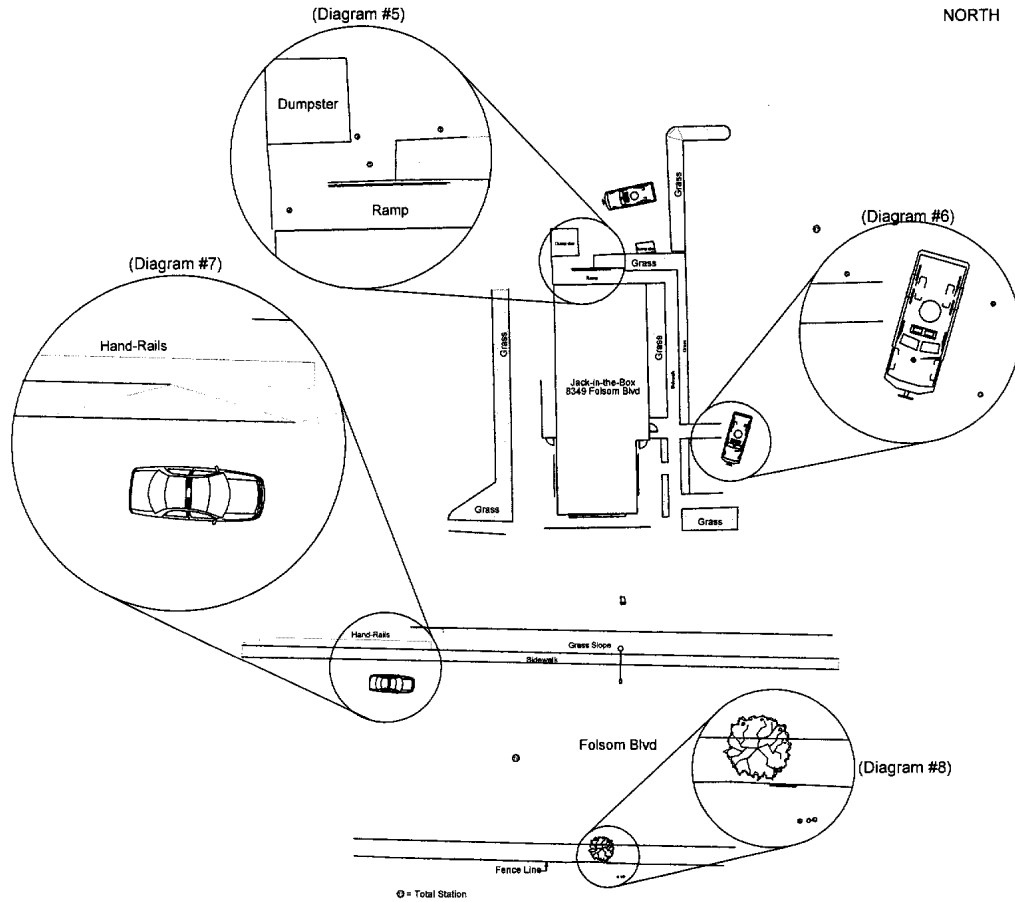
LOCATION 8349 Folsom Blvd

ALL MEASUREMENTS ARE APPROXIMATE AND NOT TO SCALE UNLESS STATED (SCALE = N/A )

Diagram #4  
8349 Folsom Blvd  
Jack-in-the-Box  
(Evidence Areas)



NORTH



PREPARED BY J. Todd Carr	BADGE # 205	UNIT CSI31	DIV 97	YRS OF SERVICE 10 Yrs	DATE 12/8/12	TIME
ASSISTING OFFICER	BADGE #	UNIT	DIV	YRS OF SERVICE	DATE	TIME
RECEIVED BY <i>A. Subic</i>	BADGE # 6369	UNIT 182	DIV 97	YRS OF SERVICE 22	DATE 11/8/13	TIME

SPD 141 (REV 8/00)

PAGE 4 OF 20



# SACRAMENTO POLICE DEPARTMENT

## PUBLIC HARDCOPY

RELEASED PER PUBLIC RECORDS ACT REQUEST

GO# SA 2012-332558 CLEARED  
EXCEPTIONALLY

1315-19 245(A)(1)AWDW-NON-FIREARM

### SACRAMENTO POLICE DEPARTMENT DIAGRAM AND PHYSICAL EVIDENCE SHEET

# ORIGINAL

REPORT NUMBER  
12-332558

CLASS 211 PC

Diagram #4

VICTIM Jack-in-the-Box

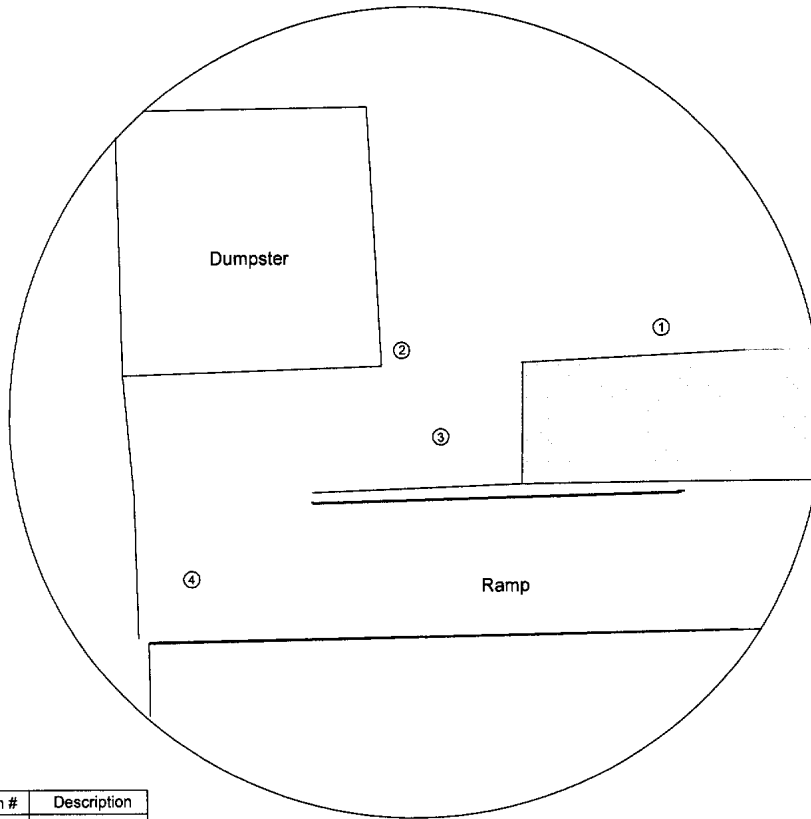
LOCATION 8349 Folsom Blvd

ALL MEASUREMENTS ARE APPROXIMATE AND NOT TO SCALE UNLESS STATED (SCALE = N/A )

### Diagram #5



NORTH



Item #	Description
1	Spoon
2	Spoon
3	Flash Bang
4	Flash Bang

PREPARED BY J. Todd Carr	BADGE # 205	UNIT CSI31	DIV 97	YRS OF SERVICE 10 Yrs	DATE 12/8/12	TIME
ASSISTING OFFICER	BADGE #	UNIT	DIV	YRS OF SERVICE	DATE	TIME
RECEIVED BY <i>R. Schuler</i>	BADGE # 6968	UNIT 135	DIV 41	YRS OF SERVICE 22	DATE 11/18/13	TIME

SPD 141 (REV 8/00)

PAGE 3 OF 3



# SACRAMENTO POLICE DEPARTMENT

## PUBLIC HARDCOPY

RELEASED PER PUBLIC RECORDS ACT REQUEST

GO# SA 2012-332558 CLEARED  
EXCEPTIONALLY

1315-19 245(A)(1)AWDW-NON-FIREARM

### SACRAMENTO POLICE DEPARTMENT DIAGRAM AND PHYSICAL EVIDENCE SHEET

ORIGINAL

REPORT NUMBER  
12-332558

CLASS 211 PC

VICTIM Jack-in-the-Box

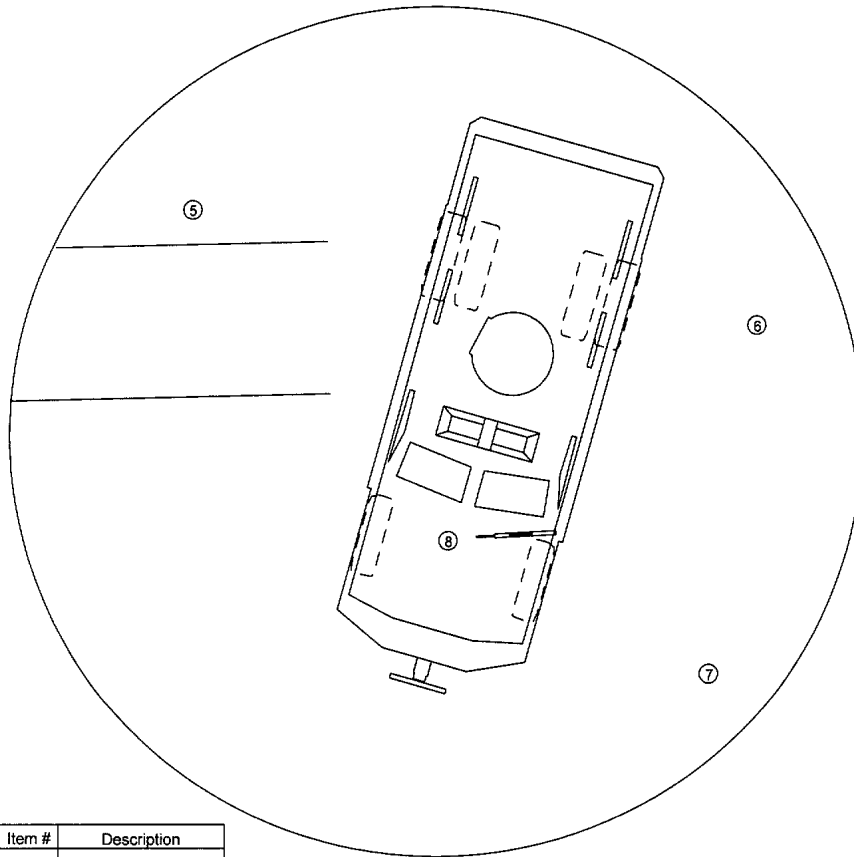
LOCATION 8349 Folsom Blvd

ALL MEASUREMENTS ARE APPROXIMATE AND NOT TO SCALE UNLESS STATED (SCALE = N/A )

Diagram #6



NORTH



Item #	Description
5	Flash Bang Pin
6	Fired case
7	Fired case
8	Fired case (on hood)

PREPARED BY	J. Todd Carr	BADGE #	205	UNIT	CSI31	DIV	97	YRS OF SERVICE	10 Yrs	DATE	12/8/12	TIME
ASSISTING OFFICER		BADGE #		UNIT		DIV		YRS OF SERVICE		DATE		TIME
RECEIVED BY	A. Ghick	BADGE #	6369	UNIT	CS2	DIV	97	YRS OF SERVICE	22	DATE	1/18/17	TIME

SPD 141 (REV 8/00)

PAGE 6 OF 20



# SACRAMENTO POLICE DEPARTMENT

## PUBLIC HARDCOPY

RELEASED PER PUBLIC RECORDS ACT REQUEST

GO# SA 2012-332558 CLEARED  
EXCEPTIONALLY

1315-19 245(A)(1)AWDW-NON-FIREARM

### SACRAMENTO POLICE DEPARTMENT DIAGRAM AND PHYSICAL EVIDENCE SHEET

# ORIGINAL

CLASS 211 PC

REPORT NUMBER  
12-332558

VICTIM Jack-in-the-Box

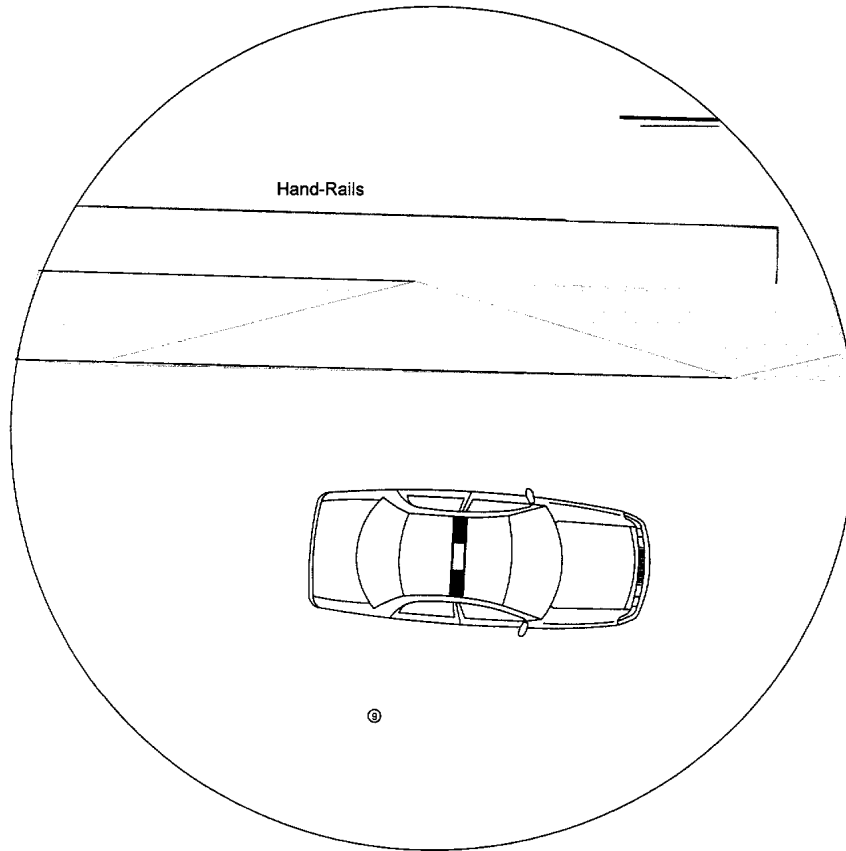
LOCATION 8349 Folsom Blvd

ALL MEASUREMENTS ARE APPROXIMATE AND NOT TO SCALE UNLESS STATED (SCALE = N/A )

### Diagram #7



NORTH



Item #	Description
9	Fired case

PREPARED BY	J. Todd Carr	BADGE #	205	UNIT	CSI31	DIV	97	YRS OF SERVICE	10 Yrs	DATE	12/8/12	TIME
ASSISTING OFFICER		BADGE #		UNIT		DIV		YRS OF SERVICE		DATE		TIME
RECEIVED BY	<i>A. Schiel</i>	BADGE #	<i>6319</i>	UNIT	<i>CS5</i>	DIV	<i>47</i>	YRS OF SERVICE	<i>11</i>	DATE	<i>1/18/13</i>	TIME

SPD 141 (REV 6/00)

PAGE 7 OF 20



# SACRAMENTO POLICE DEPARTMENT

## PUBLIC HARDCOPY

RELEASED PER PUBLIC RECORDS ACT REQUEST

GO# SA 2012-332558 CLEARED  
EXCEPTIONALLY

1315-19 245(A)(1)AWDW-NON-FIREARM

### SACRAMENTO POLICE DEPARTMENT DIAGRAM AND PHYSICAL EVIDENCE SHEET

# ORIGINAL

CLASS 211 PC

REPORT NUMBER  
12-332558

VICTIM Jack-in-the-Box

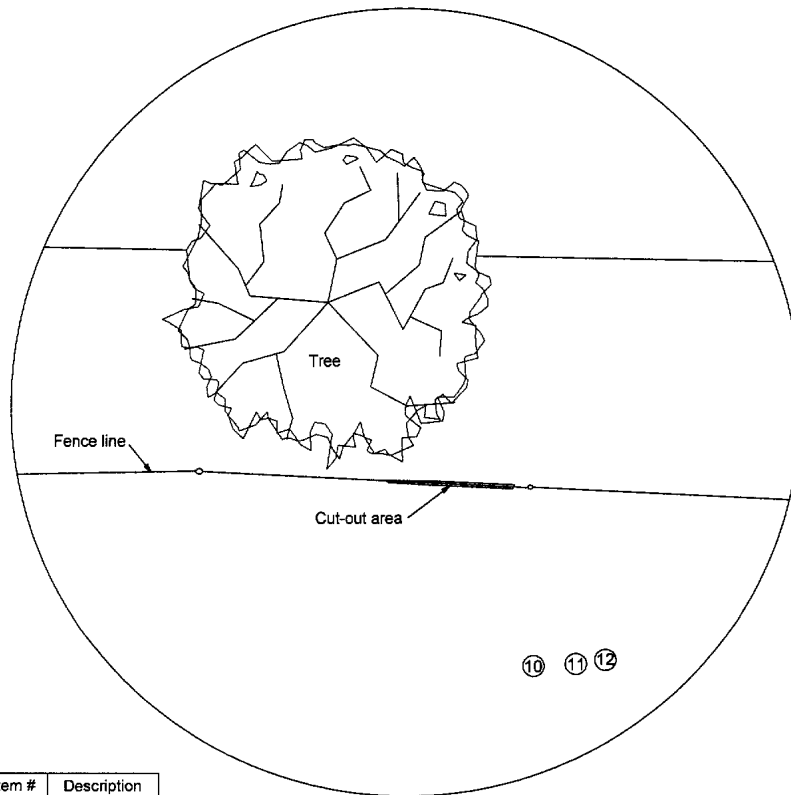
LOCATION 8349 Folsom Blvd

ALL MEASUREMENTS ARE APPROXIMATE AND NOT TO SCALE UNLESS STATED (SCALE = N/A )

### Diagram #8



NORTH



Item #	Description
10	Fired case
11	Fired case
12	Live Round

PREPARED BY	J. Todd Carr	BADGE #	205	UNIT	CSI31	DIV	97	YRS OF SERVICE	10 Yrs	DATE	12/8/12	TIME
ASSISTING OFFICER		BADGE #		UNIT		DIV		YRS OF SERVICE		DATE		TIME
RECEIVED BY	A. Schick	BADGE #	6969	UNIT	ES2	DIV	57	YRS OF SERVICE	EL	DATE	1/8/17	TIME

SPD 141 (REV 8/00)

PAGE 8 OF 20



# SACRAMENTO POLICE DEPARTMENT

## PUBLIC HARDCOPY

RELEASED PER PUBLIC RECORDS ACT REQUEST

GO# SA 2012-332558 CLEARED  
EXCEPTIONALLY

1315-19 245(A)(1)AWDW-NON-FIREARM

### SACRAMENTO POLICE DEPARTMENT DIAGRAM AND PHYSICAL EVIDENCE SHEET

**ORIGINAL**

REPORT NUMBER  
12-332558

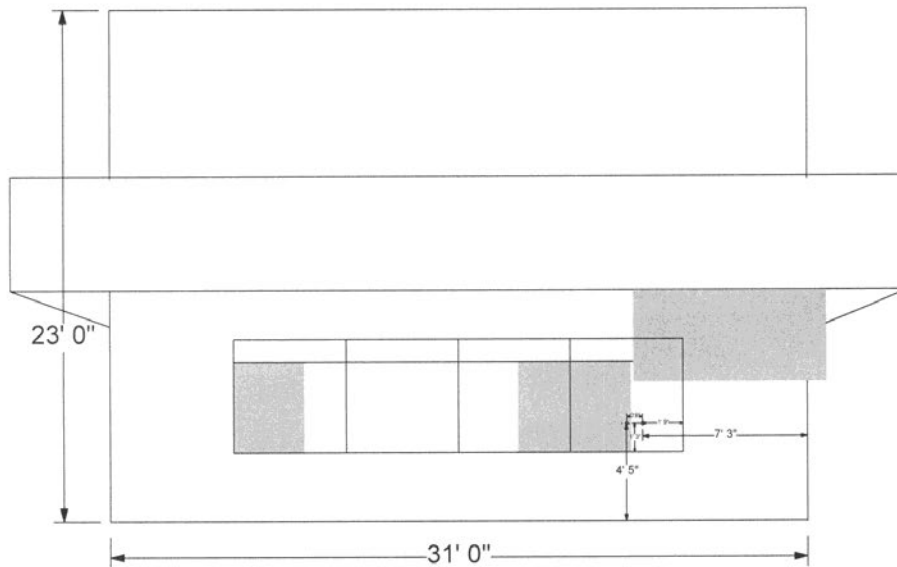
CLASS 211 PC

VICTIM Jack-in-the-Box

LOCATION 8349 Folsom Blvd

ALL MEASUREMENTS ARE APPROXIMATE AND NOT TO SCALE UNLESS STATED (SCALE = N/A )

Diagram #9  
8349 Folsom Blvd  
Front view of business (South Side)



 = Window signs

 = Bullet strike

PREPARED BY	J. Todd Carr	BADGE #	205	UNIT	CSI31	DIV	97	YRS OF SERVICE	10 Yrs	DATE	12/8/12	TIME
ASSISTING OFFICER		BADGE #		UNIT		DIV		YRS OF SERVICE		DATE		TIME
RECEIVED BY	<i>A. Schmidt</i>	BADGE #	<i>6361</i>	UNIT	<i>CS2</i>	DIV	<i>97</i>	YRS OF SERVICE	<i>62</i>	DATE	<i>1/18/13</i>	TIME

SPD 141 (REV 8/00)

PAGE 4 OF 2





# SACRAMENTO POLICE DEPARTMENT

## PUBLIC HARDCOPY

### RELEASED PER PUBLIC RECORDS ACT REQUEST

GO# SA 2012-332558 CLEARED  
EXCEPTIONALLY

1315-19 245(A)(1)AWDW-NON-FIREARM

#### SACRAMENTO POLICE DEPARTMENT DIAGRAM AND PHYSICAL EVIDENCE SHEET

ORIGINAL

CLASS 211 PC

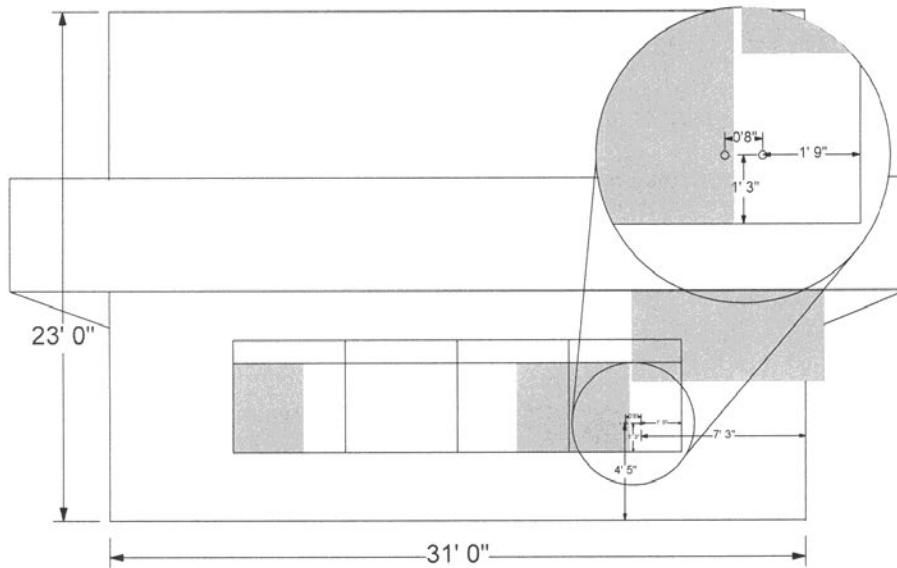
REPORT NUMBER  
12-332558

VICTIM Jack-in-the-Box

LOCATION 8349 Folsom Blvd

ALL MEASUREMENTS ARE APPROXIMATE AND NOT TO SCALE UNLESS STATED (SCALE = N/A )

Diagram #10  
8349 Folsom Blvd  
Front view of business (South Side)  
(With Zoomed area)



 = Window signs

 = Bullet strike

PREPARED BY J. Todd Carr	BADGE # 205	UNIT CSI31	DIV 97	YRS OF SERVICE 10 Yrs	DATE 12/8/12	TIME
ASSISTING OFFICER	BADGE #	UNIT	DIV	YRS OF SERVICE	DATE	TIME
RECEIVED BY A Schiele	BADGE # 6368	UNIT CS2	DIV 47	YRS OF SERVICE 22	DATE 11/28/13	TIME

SPD 141 (REV 8/00)

PAGE 12 OF 20



# SACRAMENTO POLICE DEPARTMENT

## PUBLIC HARDCOPY

RELEASED PER PUBLIC RECORDS ACT REQUEST

GO# SA 2012-332558 CLEARED  
EXCEPTIONALLY

1315-19 245(A)(1)AWDW-NON-FIREARM

### SACRAMENTO POLICE DEPARTMENT DIAGRAM AND PHYSICAL EVIDENCE SHEET

ORIGINAL

REPORT NUMBER  
12-332558

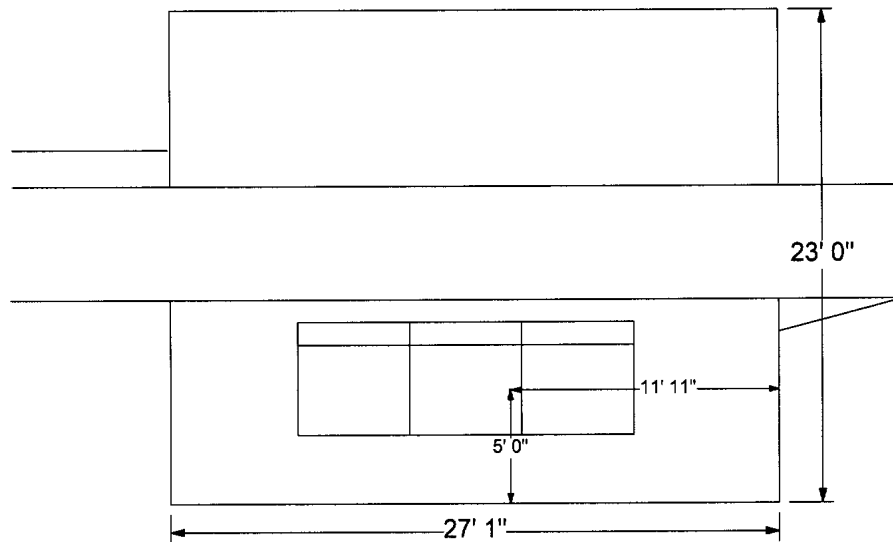
CLASS 211 PC

VICTIM Jack-in-the-Box

LOCATION 8349 Folsom Blvd

ALL MEASUREMENTS ARE APPROXIMATE AND NOT TO SCALE UNLESS STATED (SCALE = N/A)

Diagram #11  
8349 Folsom Blvd  
West side of Business



• = Bullet strike

PREPARED BY J. Todd Carr	BADGE # 205	UNIT CSI31	DIV 97	YRS OF SERVICE 10 Yrs	DATE 12/8/12	TIME
ASSISTING OFFICER	BADGE #	UNIT	DIV	YRS OF SERVICE	DATE	TIME
RECEIVED BY A. Schreie	BADGE # 6389	UNIT 132	DIV 91	YRS OF SERVICE 22	DATE 1/18/13	TIME

SPD 141 (REV 8/00)

PAGE 11 OF 20



# SACRAMENTO POLICE DEPARTMENT

## PUBLIC HARDCOPY

RELEASED PER PUBLIC RECORDS ACT REQUEST

GO# SA 2012-332558 CLEARED  
EXCEPTIONALLY

1315-19 245(A)(1)AWDW-NON-FIREARM

### SACRAMENTO POLICE DEPARTMENT DIAGRAM AND PHYSICAL EVIDENCE SHEET

# ORIGINAL

REPORT NUMBER  
12-332558

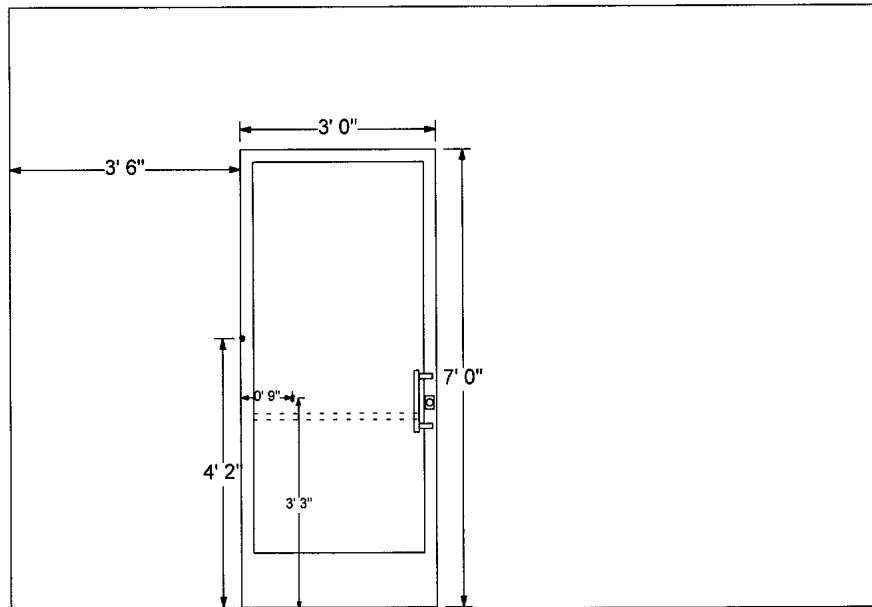
CLASS 211 PC

VICTIM Jack-in-the-Box

LOCATION 8349 Folsom Blvd

ALL MEASUREMENTS ARE APPROXIMATE AND NOT TO SCALE UNLESS STATED (SCALE = N/A )

Diagram #12  
8349 Folsom Blvd  
East side of Business



• = Bullet strike

PREPARED BY	J. Todd Carr	BADGE #	205	UNIT	CSI31	DIV	97	YRS OF SERVICE	10 Yrs	DATE	12/8/12	TIME
ASSISTING OFFICER		BADGE #		UNIT		DIV		YRS OF SERVICE		DATE		TIME
RECEIVED BY	A. Schiele	BADGE #	6588	UNIT	35	DIV	4)	YRS OF SERVICE	22	DATE	1/18/15	TIME

SPD 141 (REV 8/02)

PAGE 12 OF 20



# SACRAMENTO POLICE DEPARTMENT

## PUBLIC HARDCOPY

RELEASED PER PUBLIC RECORDS ACT REQUEST

GO# SA 2012-332558 CLEARED  
EXCEPTIONALLY

1315-19 245(A)(1)AWDW-NON-FIREARM

### SACRAMENTO POLICE DEPARTMENT DIAGRAM AND PHYSICAL EVIDENCE SHEET

# ORIGINAL

REPORT NUMBER  
12-332558

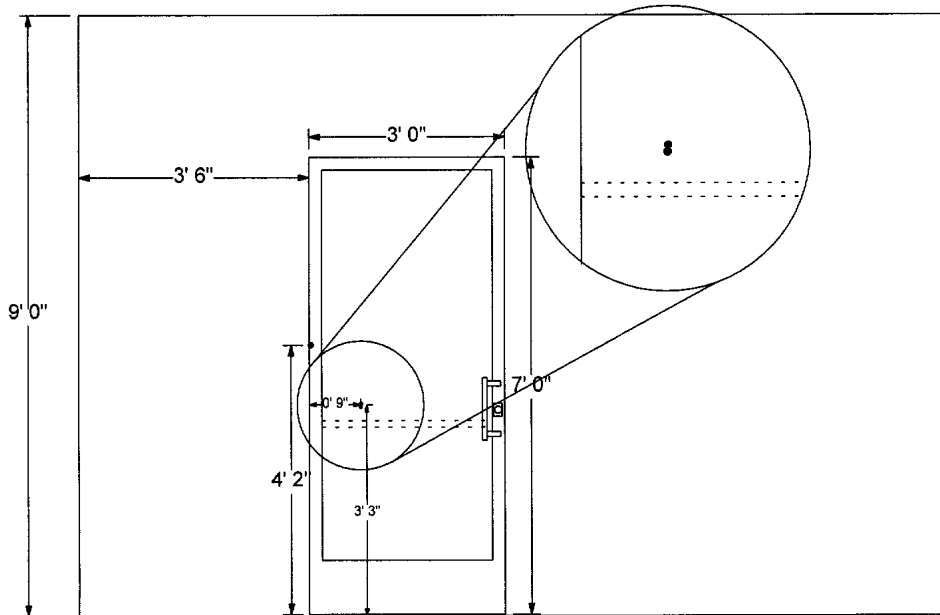
CLASS 211 PC

VICTIM Jack-in-the-Box

LOCATION 8349 Folsom Blvd

ALL MEASUREMENTS ARE APPROXIMATE AND NOT TO SCALE UNLESS STATED (SCALE = N/A )

Diagram #13  
8349 Folsom Blvd  
East side of Business  
(With Expanded area)



• = Bullet strike

PREPARED BY J. Todd Carr	BADGE # 205	UNIT CS131	DIV 97	YRS OF SERVICE 10 Yrs	DATE 12/8/12	TIME
ASSISTING OFFICER	BADGE #	UNIT	DIV	YRS OF SERVICE	DATE	TIME
RECEIVED BY A. Schieb	BADGE # 6315	UNIT (SL)	DIV 97	YRS OF SERVICE 22	DATE 11/18/15	TIME

SFD 141 (REV 8/00)

PAGE 13 OF 25



# SACRAMENTO POLICE DEPARTMENT

## PUBLIC HARDCOPY

RELEASED PER PUBLIC RECORDS ACT REQUEST

GO# SA 2012-332558 CLEARED  
EXCEPTIONALLY

1315-19 245(A)(1)AWDW-NON-FIREARM

**ORIGINAL**

12-332558

Pt#	North	East	Elev	Desc
1	0	0	0	REF 1 5.48hi
99	19.965		0	-0.426 BACKSIGHT
100	116.712	85.669		-4.968 BEARCAT FR L
101	113.535	81.319		-4.908 BEARCAT FR CNTR
102	118.366	83.247		0.983 BAREL
103	118.53	86.103		0.204 STOCK
104	118.301	82.278		0.252 CASE
105	94.471	12.788		19.32 BUILDING
106	122.865	11.388		19.102 BUILDING
107	95.848	43.202		19.179 BUILDING
108	90.9	48.294		10.138 BUILDING
109	90.802	48.283		5.05 BUILDING
110	89.04	8.087		5.078 BUILDING
111	89.181	7.911		9.961 BUILDING
112	94.467	12.823		4.677 BUILDING
113	94.607	12.923		-4.306 BUILDING
114	95.876	43.108		-4.052 BUILDING
115	95.889	43.153		4.728 BUILDING
116	94.596	38.88		-0.929 S WINDOW
117	93.626	17.336		-0.883 S WINDOW
118	93.608	17.267		3.082 S WINDOW
119	94.355	17.213		4.256 S WINDOW
120	94.621	22.561		4.268 S WINDOW
121	93.846	22.621		3.131 S WINDOW
122	93.828	22.618		-0.812 S WINDOW
123	94.085	28.036		-0.895 S WINDOW
124	94.095	28.036		3.096 S WINDOW
125	95.006	28.012		4.487 S WINDOW
126	95.252	33.436		4.468 S WINDOW
127	94.355	33.451		3.097 S WINDOW
128	94.337	33.491		-0.891 S WINDOW
129	123.753	11.441		-4.102 BUILDING
130	123.827	11.465		4.36 BUILDING
131	123.578	6.161		4.824 BUILDING
132	123.454	6.028		-4.027 BUILDING
133	123.749	7.368		-3.954 W DOOR
134	123.88	10.412		-3.926 W DOOR
135	123.844	10.408		3.028 W DOOR
136	123.639	7.427		2.994 W DOOR
137	101.126	12.417		-0.973 W WINDOW
138	101.088	11.481		-0.963 W WINDOW
139	101.082	11.486		3.091 W WINDOW
140	101.126	12.3		4.347 W WINDOW
141	106.703	11.186		-0.804 W WINDOW
142	107.143	11.167		1.257 W WINDOW
143	111.937	10.973		-0.823 W WINDOW

14 2019



# SACRAMENTO POLICE DEPARTMENT

## PUBLIC HARDCOPY

### RELEASED PER PUBLIC RECORDS ACT REQUEST

GO# SA 2012-332558 CLEARED  
EXCEPTIONALLY

1315-19 245(A)(1)AWDW-NON-FIREARM

144	117.229	10.748	-0.843 W WINDOW
145	117.191	10.749	3.005 W WINDOW
146	111.872	10.914	3.082 W WINDOW
147	106.62	11.138	3.114 W WINDOW
148	144.099	5.123	9.863 BUILDING
149	144.086	4.968	5.134 BUILDING
150	145.379	4.901	-4.202 BUILDING
151	65.21	38.103	-3.441 SIGN
152	65.266	38.176	-0.289 SIGN
153	60.795	38.387	-0.262 SIGN
154	60.879	40.529	-0.316 SIGN
155	60.408	40.28	1.235 SIGN
156	60.353	38.648	1.249 SIGN
157	60.349	38.641	0.371 SIGN
158	65.591	38.306	0.399 SIGN
159	65.565	38.312	1.249 SIGN
160	65.323	39.733	1.297 SIGN
161	63.039	38.497	1.874 SIGN
162	60.119	38.725	2.75 SIGN
163	60.219	40.265	2.713 SIGN
164	60.137	40.338	6.04 SIGN
165	60.048	38.752	6.034 SIGN
166	63.058	38.555	6.961 SIGN
167	62.849	39.993	6.981 SIGN
168	-43.729	37.783	0.232 ITEM 10
169	-44.566	40.614	0.238 ITEM 11
170	-44.623	41.094	0.228 ITEM 12
171	21.483	-52.748	-0.463 ITEM 9
172	26.434	-52.101	-0.648 VEH 10764 K9
173	26.315	-43.048	-0.626 VEH 10764 K9
174	29.165	-38.487	-0.704 VEH 10764 K9
175	32.518	-42.025	-0.893 VEH 10764 K9
176	33.078	-51.898	-0.987 VEH 10764 K9
177	29.819	-56.65	-0.768 VEH 10764 K9
178	43.378	39.938	-0.475 ST LIGHT
179	43.847	40.208	27.962 ST LIGHT
180	94.999	-17.841	-3.387 PLOT LIGHT
181	95.551	-17.948	-1.907 PLOT LIGHT
182	95.545	-17.879	22.911 PLOT LIGHT
183	-40.009	28.711	5.901 FENCE
184	-40.537	29.027	0.215 FENCE
185	-40.63	34.566	2.832 CUT HOLE
186	-40.575	34.495	3.667 CUT HOLE
187	-40.597	35.94	3.748 CUT HOLE
188	-40.719	35.863	2.866 CUT HOLE
189	-41.019	48.859	6.133 FENCE
190	-41.007	58.83	6.215 FENCE

ORIGINAL  
12-332558

15-04-20



# SACRAMENTO POLICE DEPARTMENT

## PUBLIC HARDCOPY

### RELEASED PER PUBLIC RECORDS ACT REQUEST

GO# SA 2012-332558 CLEARED  
EXCEPTIONALLY

1315-19 245(A)(1)AWDW-NON-FIREARM

**ORIGINAL**

*12-332558*

191	-41.366	68.848	6.175 FENCE	
192	-41.529	79.044	6.229 FENCE	
193	-41.568	84.85	6.696 FENCE	
194	-35.354	30.514	-0.002 TREE	
195	-34.101	32.984	-0.09 TREE	
196	-34.567	34.076	7.342 TREE	
197	-36.211	32.714	7.352 TREE	
198	-40.18	18.947	6.079 FENCE	
199	-39.873	8.942	6.032 FENCE	
200	-39.53	-3.824	6.206 FENCE	
201	-39.177	-13.671	6.15 FENCE	
202	-38.51	-43.679	6.185 FENCE	
203	-38.139	-53.778	6.201 FENCE	
204	-37.729	-61.918	6.13 FENCE	
205	-43.935	342.791	6.831 FENCE	
206	-43.41	350.768	5.131 FENCE	9 inches south
207	-42.87	347.579	4.749 TREE	
208	34.853	122.605	-0.826 SIDEWALK CURB	
209	36.815	39.913	-0.695 SIDEWALK CURB	
210	37.941	-4.973	-0.852 SIDEWALK CURB	
211	38.627	-34.705	-0.862 SIDEWALK CURB	
212	39.468	-67.433	-0.927 SIDEWALK CURB	
213	44.099	-32.467	-0.222 HAND RAIL	
214	44.086	-32.453	0.822 HAND RAIL	
215	44.062	-32.464	3.153 HAND RAIL	
216	43.38	-32.525	3.115 HAND RAIL	
217	43.387	-32.49	0.832 HAND RAIL	
218	46.258	-32.463	-0.237 HAND RAIL	
219	46.244	-32.454	0.815 HAND RAIL	
220	46.212	-32.458	1.915 HAND RAIL	
221	46.138	-32.407	3.144 HAND RAIL	
222	46.31	-35.329	3.092 HAND RAIL	
223	46.32	-35.337	1.906 HAND RAIL	
224	46.326	-35.341	0.794 HAND RAIL	
225	46.34	-35.315	-0.268 HAND RAIL	
226	46.414	-38.074	-0.276 HAND RAIL	
227	46.393	-38.096	0.782 HAND RAIL	
228	46.389	-38.094	1.898 HAND RAIL	
229	46.379	-38.086	3.088 HAND RAIL	
230	46.378	-38.086	3.088 HAND RAIL	
231	46.514	-43.134	3.075 HAND RAIL	
232	46.523	-43.144	1.907 HAND RAIL	
233	46.53	-43.149	0.783 HAND RAIL	
234	46.539	-43.125	-0.297 HAND RAIL	
235	46.681	-48.103	-0.317 HAND RAIL	
236	46.817	-53.094	-0.328 HAND RAIL	
237	46.935	-58.115	-0.334 HAND RAIL	

*16 of 20*



# SACRAMENTO POLICE DEPARTMENT

## PUBLIC HARDCOPY

### RELEASED PER PUBLIC RECORDS ACT REQUEST

GO# SA 2012-332558 CLEARED  
EXCEPTIONALLY

1315-19 245(A)(1)AWDW-NON-FIREARM

**ORIGINAL**

12-332558

238	47.061	-63.053	-0.336 HAND RAIL
239	47.19	-68.033	-0.354 HAND RAIL
240	47.309	-73.061	-0.356 HAND RAIL
241	47.436	-78.074	-0.368 HAND RAIL
242	47.547	-83.028	-0.372 HAND RAIL
243	47.671	-88.054	-0.376 HAND RAIL
244	47.793	-93.04	-0.367 HAND RAIL
245	47.834	-97.875	-0.366 HAND RAIL
246	45.778	-98.113	-0.344 HAND RAIL
247	45.955	-103.719	-0.384 HAND RAIL
248	45.929	-103.74	3.008 HAND RAIL
249	47.904	-98.026	3.044 HAND RAIL
250	47.775	-92.899	2.989 HAND RAIL
251	51.26	-35.415	-0.319 HAND RAIL
252	51.268	-35.421	0.807 HAND RAIL
253	51.279	-35.403	2.125 HAND RAIL
254	51.285	-35.571	2.12 HAND RAIL
255	51.281	-37.558	0.858 HAND RAIL
256	51.281	-39.401	-0.331 HAND RAIL
257	43.986	-27.815	-0.219 HAND RAIL
258	43.941	-27.788	0.844 HAND RAIL
259	43.995	-27.8	1.94 HAND RAIL
260	43.961	-27.791	3.115 HAND RAIL
261	43.281	-27.801	3.14 HAND RAIL
262	43.286	-27.804	0.88 HAND RAIL
263	47.541	-27.799	-0.296 HAND RAIL
264	47.471	-27.79	3.117 HAND RAIL
265	51.014	-27.82	3.019 HAND RAIL
266	51.074	-27.841	2.167 HAND RAIL
267	51.032	-27.798	1.895 HAND RAIL
268	51.022	-27.783	0.788 HAND RAIL
269	51.072	-27.81	-0.338 HAND RAIL
270	-32.995	11.227	-0.505 CURB LN
271	-34.432	83.277	-0.345 CURB LN
272	40.571	65.741	-0.626 SIDEWALK
273	41.558	24.541	-0.72 SIDEWALK
274	42.88	-27.347	-0.712 SIDEWALK
275	44.819	-104.445	-0.842 SIDEWALK
276	51.707	-40.42	-4.053 P LOT
277	50.183	30.135	-3.941 P LOT
278	51.12	30.264	-3.988 P LOT
279	49.959	39.92	-3.899 P LOT
280	49.042	87.28	-3.866 P LOT
281	48.24	120.306	-3.733 P LOT
282	64.881	130.278	-4.113 P LOT
283	85.783	132.011	-4.49 P LOT
284	86.023	114.477	-4.447 P LOT

17 of 20





# SACRAMENTO POLICE DEPARTMENT

## PUBLIC HARDCOPY

### RELEASED PER PUBLIC RECORDS ACT REQUEST

GO# SA 2012-332558 CLEARED  
EXCEPTIONALLY

1315-19 245(A)(1)AWDW-NON-FIREARM

**ORIGINAL**

12-332558

285	89.912	109.754	-4.517 P LOT
286	93.921	109.786	-4.586 P LOT
287	98.439	116.475	-4.723 P LOT
288	97.056	84.381	-4.625 P LOT
289	92.214	84.365	-4.594 P LOT
290	88.56	80.7	-4.47 P LOT
291	88.195	63.371	-4.562 P LOT
292	87.39	9.516	-4.449 P LOT
293	86.804	-4.069	-4.385 P LOT
294	88.186	-25.595	-4.258 P LOT
295	92.445	-25.986	-4.321 P LOT
296	91.72	-1.249	-4.466 P LOT
297	122.051	-1.729	-4.886 P LOT
298	179.864	-2.855	-5.483 P LOT
299	179.439	-9.247	-5.414 P LOT
300	145.136	-8.595	-5.261 P LOT
301	106.828	-7.828	-4.633 P LOT
302	95.75	-24.358	-4.349 P LOT
303	17.253	-18.975	-0.288 STANDARD
304	16.913	-8.926	-0.282 STANDARD
305	202.442	114.326	-6.105 REF2
306	113.563	91.505	-4.948 ITEM 7
307	125.834	93.25	-5.086 ITEM 6
308	125.045	91.559	-5.09 BEARCAT LF REAR
309	131.921	88.891	-5.179 BEARCAT REAR CNTR
310	126.626	83.212	-5.104 BEARCAT RT REAR
311	129.986	73.217	-5.171 ITEM 5
312	183.762	16.283	-5.025 ITEM 4
313	189.485	26.429	-5.424 ITEM 3
314	193.034	24.824	-5.454 ITEM 2
315	193.896	35.367	-5.993 ITEM 1
316	210.779	38.837	-5.841 ARMOR VEH
317	212.266	47.471	-5.832 ARMOR VEH
318	216.563	51.585	-5.781 ARMOR VEH REAR
319	219.278	46.32	-5.724 ARMOR VEH
320	212.559	34.604	-5.8 ARMOR VEH FRONT
321	202.785	23.473	-5.551 DUMPSTR
322	202.656	13.262	-5.27 DUMPSTR
323	192.023	13.514	-5.323 DUMPSTR
324	192.363	24.023	-5.41 DUMPSTR
325	196.934	45.902	-6.028 DUMPSTR
326	192.983	46.327	-6.013 DUMPSTR
327	197.827	52.423	-5.987 DUMPSTR
328	193.786	53.22	-5.974 DUMPSTR
329	194.003	59.302	-5.913 P LOT
330	237.55	57.54	-5.61 P LOT
331	241.148	61.706	-5.567 P LOT

18 of 22



# SACRAMENTO POLICE DEPARTMENT

## PUBLIC HARDCOPY

### RELEASED PER PUBLIC RECORDS ACT REQUEST

GO# SA 2012-332558 CLEARED  
EXCEPTIONALLY

1315-19 245(A)(1)AWDW-NON-FIREARM

332	241.496	78.377	-5.578 P LOT
333	238.879	81.725	-5.588 P LOT
334	236.229	78.686	-5.667 P LOT
335	235.947	63.821	-5.662 P LOT
336	194.094	64.697	-5.855 P LOT
337	193.314	64.688	-5.872 P LOT
338	193.128	53.097	-5.957 P LOT
339	192.936	38.725	-6.177 P LOT
340	192.493	29.721	-5.554 P LOT
341	187.575	29.717	-5.418 RAMP
342	187.265	21.197	-5.08 RAMP
343	187.084	13.965	-5.055 RAMP
344	181.398	14.112	-5.007 RAMP
345	181.839	36.123	-3.992 BACK DOOR
346	181.896	39.626	-3.992 BACK DOOR
347	186.932	21.197	-5.063 RAILING
348	187.301	36.153	-4.052 RAILING
349	187.648	36.036	-4.059 WALKWAY
350	187.662	41.499	-4.069 WALKWAY
351	186.652	41.524	-4.033 WALKWAY
352	186.877	61.588	-4.334 WALKWAY
353	181.959	56.751	-4.222 WALKWAY
354	182.04	61.66	-4.323 WALKWAY
355	175.794	61.742	-4.303 WALKWAY
356	128.851	62.615	-4.062 WALKWAY
357	131.174	57.734	-4.022 WALKWAY
358	131.048	51.013	-3.991 WALKWAY
359	123.35	55.368	-3.963 WALKWAY
360	123.343	57.726	-3.989 WALKWAY
361	122.802	62.666	-4.065 WALKWAY
362	114.238	55.58	-3.984 WALKWAY
363	114.248	58.002	-3.996 WALKWAY
364	109.427	55.703	-3.978 WALKWAY
365	109.491	57.995	-4.011 WALKWAY
366	102.263	63.106	-4.09 WALKWAY
367	96.364	63.218	-4.113 WALKWAY
368	93.456	58.327	-4.089 WALKWAY
369	89.004	63.313	-4.085 WALKWAY
370	123.142	62.549	-4.073 RAILING
371	123.473	78.08	-5.041 RAILING
372	128.859	77.988	-5.109 RAILING
373	128.523	62.436	-4.067 RAILING
374	128.974	65.915	-5.13 P LOT
375	175.873	65.134	-5.601 P LOT
376	182.035	64.92	-5.573 P LOT
377	181.828	49.648	-4.022 BUILDING
378	181.844	49.705	12.119 BUILDING

ORIGINAL

12.332558

19 of 20



# SACRAMENTO POLICE DEPARTMENT

## PUBLIC HARDCOPY

### RELEASED PER PUBLIC RECORDS ACT REQUEST

GO# SA 2012-332558 CLEARED  
EXCEPTIONALLY

1315-19 245(A)(1)AWDW-NON-FIREARM

**ORIGINAL**

12-332558

379	181.248	14.549	11.924 BUILDING
380	181.191	14.53	-3.461 BUILDING
381	128.916	50.837	3.075 EAST DOOR
382	125.83	50.895	3.103 EAST DOOR
383	125.842	50.926	-3.955 EAST DOOR
384	128.942	50.826	-3.645 EAST DOOR
385	126.71	50.471	-0.703 BULLET HOLE
386	126.709	50.47	-0.655 BULLET HOLE
387	125.941	50.551	0.214 BULLET STRIKE
388	125.868	50.638	0.22 BULLET STRIKE
389	122.655	50.926	4.86 BUILDING
390	122.634	50.974	-3.202 BUILDING
391	94.788	45.906	4.688 BUILDING
392	94.72	45.921	-0.54 BUILDING
393	64.865	41.891	2.935 SIGN
394	64.809	40.232	2.915 SIGN
395	64.819	40.273	5.871 SIGN
396	64.844	41.877	5.894 SIGN
397	61.887	42.388	6.795 SIGN
398	61.848	42.367	2.04 SIGN
399	64.138	42.168	-0.352 SIGN
400	64.115	40.296	-0.292 SIGN
401	101.534	46.871	-0.935 E WINDOW
402	101.577	46.859	3.039 E WINDOW
403	106.801	46.788	2.935 E WINDOW
404	106.802	46.798	-0.735 E WINDOW
405	112.08	46.709	-0.797 E WINDOW
406	112.091	46.691	2.968 E WINDOW
407	117.014	46.581	2.979 E WINDOW pt is 8 in north
408	116.944	46.601	-0.824 E WINDOW pt is 8 in north
409	191.255	95.185	-5.773 STANDARD
410	201.263	95.094	-5.876 STANDARD

2 of 2



# SACRAMENTO POLICE DEPARTMENT

## PUBLIC HARDCOPY

### RELEASED PER PUBLIC RECORDS ACT REQUEST

GO# SA 2012-332558 CLEARED  
EXCEPTIONALLY

1315-19 245(A)(1)AWDW-NON-FIREARM

## Related Attachment(s) - CRIME LAB REPORT

Attachment Description: BALLISTIC REPORT OF SUSPECT'S GUN

Reference Number:



OFFICE OF THE

DISTRICT ATTORNEY

SACRAMENTO COUNTY

JAN SCULLY  
DISTRICT ATTORNEY

CYNTHIA G. BESEMER  
CHIEF DEPUTY

ALBERT C. LOCHER  
ASSISTANT DISTRICT ATTORNEY

JILL L. SPRIGGS  
LABORATORY DIRECTOR

3/25/2013

Sacramento Police Department  
5770 Freeport Blvd. Suite 100  
Sacramento, CA 95822

LAB CASE NO: 12-010564  
REQUEST NO: 0006  
AGENCY NO: SPD-12-332558



**SUBJECT:**

Khang, Xang

**VICTIM:**



**EVIDENCE EXAMINED**

*Note: In this report, a two-part number, for example 001-01, references an item. The first portion (001) is the laboratory submission number and the second part (01) is the item number.*

Item	Description
011-LP18	One Harrington & Richardson (H&R) brand, model 676, 22 Winchester Magnum caliber revolver with serial number [REDACTED]
011-LP18-A	Six Winchester brand, 22 Long Rifle caliber intact cartridges removed from the cylinder of the H&R revolver. These were further itemized by me as Items 011-LP18-A-1 through 011-LP18-A-6 based on the chamber they were removed from.
016 (lab generated)	Two swabs of blood taken from the side of the H&R revolver.

**EXAMINATION, RESULTS, AND CONCLUSIONS**

I examined the Harrington & Richardson brand, model 676, 22 Winchester Magnum caliber revolver (Item 011-LP18) with serial number [REDACTED]. The revolver had a large amount of dried, flaking blood covering most of its surfaces. I collected two swabs of the blood as submission 016 and then cleaned most of the remaining blood off. The revolver is equipped with a functional transfer bar safety. The trigger pull is approximately 6 1/2 pounds in single action and 15 pounds in double action. I test fired the revolver six times using Winchester brand, 22 Winchester Magnum caliber ammunition from the laboratory supply and it functioned in the normal manner.

LABORATORY OF FORENSIC SERVICES

4800 Broadway, Suite 200 - Sacramento, CA 95820-1530  
(916) 874-9240 FAX (916) 874-9620

This report contains the results and conclusions of the signing analyst.



SACRAMENTO POLICE DEPARTMENT

PUBLIC HARDCOPY

RELEASED PER PUBLIC RECORDS ACT REQUEST

GO# SA 2012-332558 CLEARED  
EXCEPTIONALLY

1315-19 245(A)(1)AWDW-NON-FIREARM

3/25/2013  
12-010564  
Page 2

EXAMINATION, RESULTS, AND CONCLUSIONS continued

Although the revolver is marked as a "22 WMRF only" (22 Winchester Magnum Rim Fire) caliber, the cartridges removed from it at the scene (Items 011-LP18-A-1 through 011-LP18-A-6) are Winchester brand 22 Long Rifle caliber rim fire cartridges. One of those cartridges (Item 011-LP18-A-6) has a firing pin impression on it. I test fired the revolver six times using Winchester brand, 22 Long Rifle caliber cartridges from the laboratory supply and it functioned in the normal manner. I then loaded Items 011-LP18-A-1 and 011-LP18-A-6 into chambers 1 and 6 respectively; these are the chambers I removed them from at the scene. I then attempted to fire the revolver. Item 011-LP18-A-1 fired in the normal manner; however, Item 011-LP18-A-6 failed to discharge. I removed Item 011-LP18-A-6 and loaded Item 011-LP18-A-5 into chamber 6 and the revolver functioned in the normal manner. Therefore, the failure of Item 011-LP18-A-6 to discharge is a function of the cartridge and not its caliber or the revolver.

*Leslie L. Poole*

\_\_\_\_\_  
Leslie L. Poole  
Criminalist

Date: 3/14/2013

Technical review by: \_\_\_\_\_

*[Signature]*

Date: 3/14/2013

*E. M. Parson*

Administrative review by: \_\_\_\_\_

Date: 3/25/2013



# SACRAMENTO POLICE DEPARTMENT

## PUBLIC HARDCOPY

RELEASED PER PUBLIC RECORDS ACT REQUEST

GO# SA 2012-332558 CLEARED  
EXCEPTIONALLY

1315-19 245(A)(1)AWDW-NON-FIREARM

### Related Attachment(s) - ATTACHMENTS

Attachment Description: **SPD 780 FROM CORONER**

Reference Number:

#### SACRAMENTO POLICE DEPARTMENT OFFICER'S BOOKING AND FIELD RECEIPT SUPPLEMENTAL PAGE

LOCKERS USED \_\_\_\_\_ CHARGE(S) \_\_\_\_\_ REPORT # 12-332558  
 NARCO/MONEY BOOKING  CITATION # \_\_\_\_\_

CORONER DEPARTMENT  
SACRAMENTO COUNTY CORONER

SACRAMENTO COUNTY CORONER  
Khang, Xang  
Dec 11 2012 Type: Homicide  
Agency: Sacramento Police RefNum: 12-332558  
Case# 12-05629 Deputy: Rebecca Donovan

PI Khang, Xang SEF GDR JPT BHW  
 Dec 11 2012 Homicide  
 ASST: JCM Sup: Ashly Pittman

Tox Lab: \_\_\_\_\_ 12-05629

ITEM #	VERY LARGE/HEAVY ITEMS BOOKED AT 555 SEQUOIA PACIFIC ONLY	WEIGHT	NAME	ADDRESS	OWNER UNKNOWN <input type="checkbox"/>	OWNERSHIP DENIED <input type="checkbox"/>
1	TOX BOX.					
2	TOX BAG.					

OFFICER S 61315 6322 SIGNATURE AND BADGE NUMBER CITIZEN \_\_\_\_\_ DATE \_\_\_\_\_  
 IF FIELD RECEIPT, HAVE CITIZEN SIGN

PROCESSED BY \_\_\_\_\_ DATE \_\_\_\_\_ CLEARED BY \_\_\_\_\_ DATE \_\_\_\_\_  
 1 WHITE - PROPERTY      2 WHITE - REPORT      2 PINK - INVESTIGATIONS      4 GOLDENROD - FIELD RECEIPT

SPD 780 (11/97)



# SACRAMENTO POLICE DEPARTMENT

## PUBLIC HARDCOPY

### RELEASED PER PUBLIC RECORDS ACT REQUEST

GO# SA 2012-332558 CLEARED  
EXCEPTIONALLY

1315-19 245(A)(1)AWDW-NON-FIREARM

## Related Attachment(s) - ATTACHMENTS

Attachment Description: SPD 780 FROM CORONER

Reference Number: \_\_\_\_\_

### SACRAMENTO POLICE DEPARTMENT OFFICER'S BOOKING AND FIELD RECEIPT SUPPLEMENTAL PAGE

12-332558

LOCKERS USED \_\_\_\_\_

CHARGE(S) \_\_\_\_\_

REPORT # \_\_\_\_\_

SACRAMENTO COUNTY CORONER

CORONER DEPARTMENT  
SACRAMENTO COUNTY CORONER

Khang, Xang

SEF GDR JPT MAS

PR Khang, Xang

Dec 11 2012

Homicide

Dec 11 2012

Type: Homicide

ASST: JCM

Sup: Ashly Pittman

Agency: Sacramento Police

RefNum: 12-332558

Tox Lab: \_\_\_\_\_

12-05629

Case# 12-05629

Deputy: Rebecca Donovan

ITEM #	DESCRIBE PROPERTY BELOW IN THE FOLLOWING SEQUENCE: ITEM TYPE # PIECES - COLOR - BRAND - MOD - SER - QAN - DESCRIPTION - CALIBER MONEY AMT - BLADE/BARRELL/OVERALL LENGTH - DRUG TYPE VERY LARGE/HEAVY ITEMS BOOKED AT SSS SEQUOIA FACILITY ONLY	VAL TOX RESULT	NAME	ADDRESS	OWNER UNKNOWN <input type="checkbox"/>	OWNERSHIP DENIED <input type="checkbox"/>	PRINT REQUESTED	FOR PROPERTY USE ONLY
1	TISSUE							

OFFICER S. GIBBS 6322 CITIZEN \_\_\_\_\_ DATE \_\_\_\_\_  
 SIGNATURE AND BADGE NUMBER IF FIELD RECEIPT, HAVE CITIZEN SIGN  
 PROCESSED BY \_\_\_\_\_ DATE \_\_\_\_\_ CLEARED BY \_\_\_\_\_ DATE \_\_\_\_\_  
 1 WHITE - PROPERTY 2 WHITE - REPORT 2 PINK - INVESTIGATIONS 4 GOLDEN ROD - FIELD RECEIPT  
 SPD 780 (11/97)



**SACRAMENTO POLICE DEPARTMENT**

**PUBLIC HARDCOPY**

**RELEASED PER PUBLIC RECORDS ACT REQUEST**

**GO# SA 2012-332558 CLEARED  
EXCEPTIONALLY**

**1315-19 245(A)(1)AWDW-NON-FIREARM**

**Related Person(s)**

**1. VICTIM # 1 - [REDACTED]**

**(Case Specific Information)**

Sex: **MALE**

Race: **CAUCASIAN/WHITE/HISPANIC/EAST INDIAN/GUAMANIAN**

Date of birth: [REDACTED]

Address: [REDACTED]

Municipality: [REDACTED]

**Phone Numbers**

CELL [REDACTED]

PHONE:

**2. VICTIM # 3 - [REDACTED]**

**(Case Specific Information)**

Sex: **FEMALE**

Race: **ASIAN (ALL)/ PACIFIC ISLANDER**

Date of birth: [REDACTED]

Address: [REDACTED]

Municipality: [REDACTED]

**Phone Numbers**

MAIN [REDACTED]

HOME PHONE:

CELL [REDACTED]

PHONE:

**3. VICTIM # 4 - [REDACTED]**

**(Case Specific Information)**

Sex: **FEMALE**

Race: **CAUCASIAN/WHITE/HISPANIC/EAST INDIAN/GUAMANIAN**

Date of birth: [REDACTED]

Address: [REDACTED]

Municipality: [REDACTED]

**Phone Numbers**

MAIN [REDACTED]

HOME PHONE:

CELL [REDACTED]

PHONE:

**4. VICTIM # 5 - [REDACTED]**

**(Case Specific Information)**





**SACRAMENTO POLICE DEPARTMENT**

**PUBLIC HARDCOPY**

**RELEASED PER PUBLIC RECORDS ACT REQUEST**

**GO# SA 2012-332558 CLEARED  
EXCEPTIONALLY**

**1315-19 245(A)(1)AWDW-NON-FIREARM**

Sex: **FEMALE**

Race: **CAUCASIAN/WHITE/HISPANIC/EAST INDIAN/GUAMANIAN**

Date of birth: [REDACTED]

Address: [REDACTED]

Municipality: [REDACTED]

**Phone Numbers**

MAIN [REDACTED]

HOME PHONE:

CELL [REDACTED]

PHONE:

**5. SUSPECT # 1 - KHANG, XANG**

**(Case Specific Information)**

Sex: **MALE**

Race: **ASIAN (ALL)/ PACIFIC ISLANDER**

Date of birth: **Apr-13-1986**

Address: [REDACTED]

Municipality: [REDACTED] -

**Phone Numbers**

MAIN [REDACTED]

HOME PHONE:

**6. WITNESS # 1 - [REDACTED]**

**(Case Specific Information)**

Sex: **MALE**

Race: **CAUCASIAN/WHITE/HISPANIC/EAST INDIAN/GUAMANIAN**

Date of birth: [REDACTED]

Address: [REDACTED]

Municipality: [REDACTED] -

**Phone Numbers**

CELL [REDACTED]

PHONE:

Email: [REDACTED]

**7. WITNESS # 2 - [REDACTED]**

**(Case Specific Information)**

Sex: **FEMALE**

Race: **ASIAN (ALL)/ PACIFIC ISLANDER**

Date of birth: [REDACTED]

Address: [REDACTED]

Municipality: [REDACTED]

**Phone Numbers**



**SACRAMENTO POLICE DEPARTMENT**

**PUBLIC HARDCOPY**

**RELEASED PER PUBLIC RECORDS ACT REQUEST**

**GO# SA 2012-332558 CLEARED  
EXCEPTIONALLY**

**1315-19 245(A)(1)AWDW-NON-FIREARM**

CELL [REDACTED]  
PHONE:

**8. WITNESS # 3 - DAVIS, A 0853 3149**

**(Case Specific Information)**

Sex: **MALE**

Race: **CAUCASIAN/WHITE/HISPANIC/EAST INDIAN/GUAMANIAN**

Address: [REDACTED]

Municipality: [REDACTED]



# SACRAMENTO POLICE DEPARTMENT

## PUBLIC HARDCOPY

RELEASED PER PUBLIC RECORDS ACT REQUEST

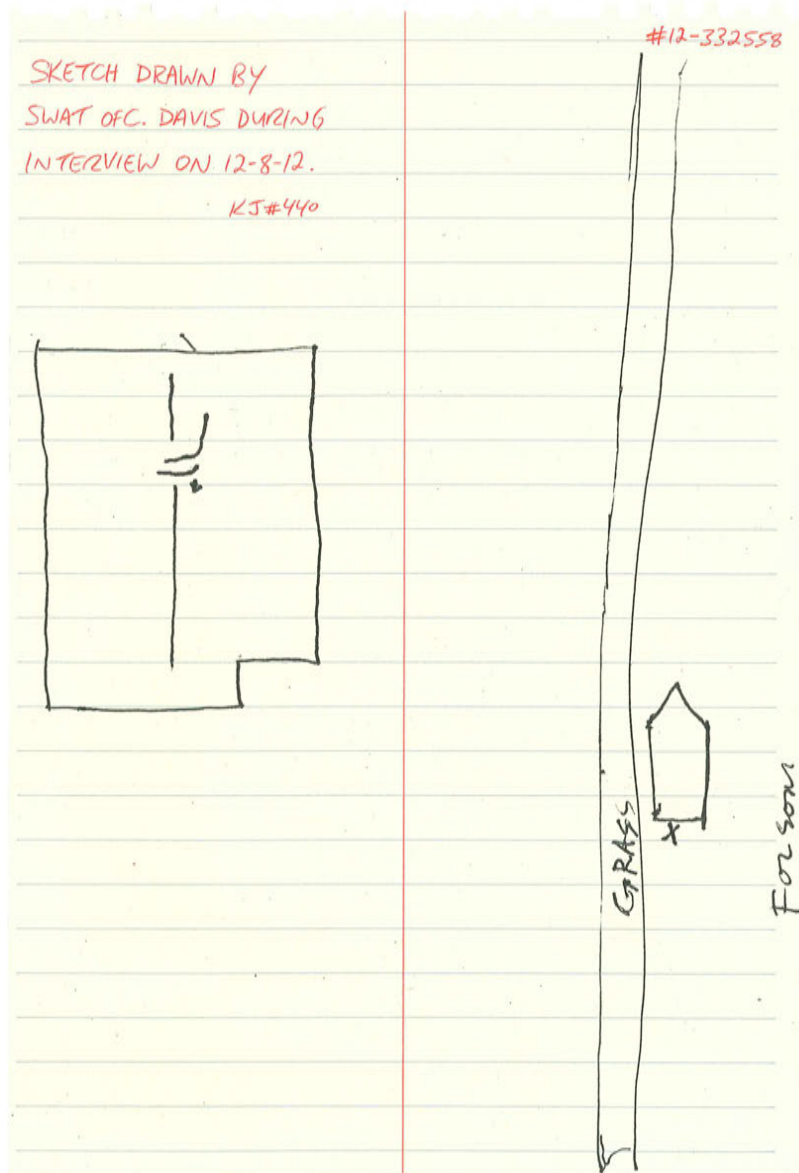
GO# SA 2012-332558 CLEARED  
EXCEPTIONALLY

1315-19 245(A)(1)AWDW-NON-FIREARM

### Related Attachment(s) - DIAGRAMS

Attachment Description: **SKETCH DRAWN BY OFC. DAVIS DURING INTERVIEW**

Reference Number:





**SACRAMENTO POLICE DEPARTMENT**

**PUBLIC HARDCOPY**

**RELEASED PER PUBLIC RECORDS ACT REQUEST**

GO# SA 2012-332558 CLEARED  
EXCEPTIONALLY

1315-19 245(A)(1)AWDW-NON-FIREARM

**9. WITNESS # 4 - GREEN, A 3060 3027**

**(Case Specific Information)**

Sex: MALE

Race: CAUCASIAN/WHITE/HISPANIC/EAST INDIAN/GUAMANIAN

Address: [REDACTED]

Municipality: [REDACTED]

**10. WITNESS # 5 - [REDACTED]**

**(Case Specific Information)**

Sex: MALE

Race: ASIAN (ALL)/ PACIFIC ISLANDER

Date of birth: [REDACTED]

Address: [REDACTED]

Municipality: [REDACTED]

**Phone Numbers**

CELL [REDACTED]

PHONE:

**Alias(es)/AKA**

Name: [REDACTED]

Address:

Sex:

DOB:

M

[REDACTED]

**11. WITNESS # 6 - [REDACTED]**

**(Case Specific Information)**

Sex: FEMALE

Race: ASIAN (ALL)/ PACIFIC ISLANDER

Date of birth: [REDACTED]

Municipality: [REDACTED]

**12. WITNESS # 7 - [REDACTED]**

**(Case Specific Information)**

Sex: MALE

Race: ASIAN (ALL)/ PACIFIC ISLANDER

Date of birth: [REDACTED]

Address: [REDACTED]

Municipality: [REDACTED]

**Phone Numbers**

CELL [REDACTED]

PHONE:

**13. WITNESS # 8 - [REDACTED]**



**SACRAMENTO POLICE DEPARTMENT**

**PUBLIC HARDCOPY**

**RELEASED PER PUBLIC RECORDS ACT REQUEST**

GO# SA 2012-332558 CLEARED  
EXCEPTIONALLY

1315-19 245(A)(1)AWDW-NON-FIREARM

**(Case Specific Information)**

Sex: MALE

Race: ASIAN (ALL)/ PACIFIC ISLANDER

Date of birth: [REDACTED]

Address: [REDACTED]

Municipality: [REDACTED]

**Phone Numbers**

CELL [REDACTED]

PHONE:

**14. WITNESS # 9 - [REDACTED]**

**(Case Specific Information)**

Sex: FEMALE

Race: ASIAN (ALL)/ PACIFIC ISLANDER

Date of birth: [REDACTED]

Address: [REDACTED]

Municipality: [REDACTED]

**Phone Numbers**

CELL [REDACTED]

PHONE:

**15. WITNESS # 10 - [REDACTED]**

**(Case Specific Information)**

Sex: FEMALE

Race: AMERICAN INDIAN/ALASKAN NATIVE

Date of birth: [REDACTED]

Address: [REDACTED]

Municipality: [REDACTED] -

**Phone Numbers**

MAIN [REDACTED]

HOME PHONE:

BUSINESS [REDACTED]

PHONE:

CELL [REDACTED]

PHONE:

**16. WITNESS # 12 - VILLEGAS, A 618 1046**

**(Case Specific Information)**

Sex: MALE

Race: CAUCASIAN/WHITE/HISPANIC/EAST INDIAN/GUAMANIAN

Address: [REDACTED]

Municipality: [REDACTED]



**SACRAMENTO POLICE DEPARTMENT**

**PUBLIC HARDCOPY**

**RELEASED PER PUBLIC RECORDS ACT REQUEST**

GO# SA 2012-332558 CLEARED  
EXCEPTIONALLY

1315-19 245(A)(1)AWDW-NON-FIREARM

**17. WITNESS # 13 - LIGHTFOOT, J 0560 570**

**(Case Specific Information)**

Sex: MALE

Race: CAUCASIAN/WHITE/HISPANIC/EAST INDIAN/GUAMANIAN

Address: [REDACTED]

Municipality: [REDACTED]

**18. WITNESS # 15 - [REDACTED]**

**(Case Specific Information)**

Sex: FEMALE

Race: CAUCASIAN/WHITE/HISPANIC/EAST INDIAN/GUAMANIAN

Date of birth: [REDACTED]

Address: [REDACTED]

Municipality: [REDACTED]

**Phone Numbers**

CELL [REDACTED]

PHONE:

**19. WITNESS # 16 - [REDACTED]**

**(Case Specific Information)**

Sex: MALE

Race: ASIAN (ALL)/ PACIFIC ISLANDER

Date of birth: [REDACTED]

Address: [REDACTED]

Municipality: [REDACTED]

**Phone Numbers**

MAIN [REDACTED]

HOME PHONE:

**20. WITNESS # 17 - [REDACTED]**

**(Case Specific Information)**

Sex: MALE

Race: ASIAN (ALL)/ PACIFIC ISLANDER

Date of birth: [REDACTED]

Address: [REDACTED]

Municipality: [REDACTED]

**Phone Numbers**

CELL [REDACTED]

PHONE:

**21. SUBJECT # 1 - [REDACTED]**



**SACRAMENTO POLICE DEPARTMENT**

**PUBLIC HARDCOPY**

**RELEASED PER PUBLIC RECORDS ACT REQUEST**

**GO# SA 2012-332558 CLEARED  
EXCEPTIONALLY**

**1315-19 245(A)(1)AWDW-NON-FIREARM**

**(Case Specific Information)**

Sex: **FEMALE**

Race: **CAUCASIAN/WHITE/HISPANIC/EAST INDIAN/GUAMANIAN**

Date of birth: [REDACTED]

Address: [REDACTED]

Municipality: [REDACTED]

**Phone Numbers**

MAIN [REDACTED]

HOME PHONE:

**22. SUBJECT # 3 - [REDACTED]**

**(Case Specific Information)**

Sex: **FEMALE**

Race: **CAUCASIAN/WHITE/HISPANIC/EAST INDIAN/GUAMANIAN**

Date of birth: [REDACTED]

Address: [REDACTED]

Municipality: [REDACTED]

**Phone Numbers**

CELL [REDACTED]

PHONE:

**23. JUV-VICTIM # 2 - [REDACTED]**

**(Case Specific Information)**

Sex: **FEMALE**

Race: **CAUCASIAN/WHITE/HISPANIC/EAST INDIAN/GUAMANIAN**

Date of birth: [REDACTED]

Address: [REDACTED]

Municipality: [REDACTED] -

**24. JUV-WITNESS # 11 - [REDACTED]**

**(Case Specific Information)**

Sex: **MALE**

Race: **CAUCASIAN/WHITE/HISPANIC/EAST INDIAN/GUAMANIAN**

Date of birth: [REDACTED]

Address: [REDACTED]

Municipality: [REDACTED]

**Phone Numbers**

CELL [REDACTED]

PHONE:

**25. JUV-WITNESS # 14 - [REDACTED]**



**SACRAMENTO POLICE DEPARTMENT**

**PUBLIC HARDCOPY**

**RELEASED PER PUBLIC RECORDS ACT REQUEST**

**GO# SA 2012-332558 CLEARED  
EXCEPTIONALLY**

**1315-19 245(A)(1)AWDW-NON-FIREARM**

**(Case Specific Information)**

Sex: **FEMALE**

Race: **CAUCASIAN/WHITE/HISPANIC/EAST INDIAN/GUAMANIAN**

Date of birth: [REDACTED]

Address: [REDACTED]

Municipality: [REDACTED]

**Phone Numbers**

MESSAGE [REDACTED]

PHONE:

**26. JUV-SUBJECT # 2 - [REDACTED]**

**(Case Specific Information)**

Sex: **FEMALE**

Race: **CAUCASIAN/WHITE/HISPANIC/EAST INDIAN/GUAMANIAN**

Date of birth: [REDACTED]

Address: [REDACTED]

Municipality: [REDACTED]





# SACRAMENTO POLICE DEPARTMENT

## PUBLIC HARDCOPY

RELEASED PER PUBLIC RECORDS ACT REQUEST

GO# SA 2012-332558 CLEARED  
EXCEPTIONALLY

1315-19 245(A)(1)AWDW-NON-FIREARM

### Related Text Page(s)

Document: **01 VICTIM STATEMENT**

Author: **368 - GUERRA, RODRICK 7717**

Subject: (WITNESS #11) [REDACTED]

Related date/time: **Dec-13-2012 (Thu.) 913**

On 12/08/12 at approximately 1940 hours I interviewed witness [REDACTED] at the Sacramento Sheriff's Department Investigative Unit office on Orange Grove Avenue regarding this offense. [REDACTED] is an employee at the Jack-In-the-Box restaurant where this offense took place. The interview was recorded and the recording was later booked into evidence. [REDACTED] provided the following statement, in summary:

I've been working at the Jack-In-the-Box for 2-3 weeks. Today I started my shift at 10 am. I was assigned to work the drive through and the front line. My shift was scheduled to end at 3 pm. At approximately 1220 or 1225 pm, [REDACTED] (my manager) gave me a list of items to pick up from the restaurant on Elder Creek Road. Just before I left, I remember seeing the suspect standing near the side door and the bathroom doors. He was acting kind of strange, like moving quickly toward the bathroom doors, peeking inside and then quickly backing out. It looked weird, but I thought he might have been checking on someone he knew.

After [REDACTED] gave me the list, I started out the front door and the suspect was just standing near the bathroom doors and the entrance. I walked past him and went outside. The guy was about 5'-5'5" tall, Asian and I think he was Hmong. He was wearing a red plaid shirt and blue jeans. He had a baby face and a thin mustache and spiked hair.

I got about 4-6 feet from the door and I felt uneasy about leaving the store because my co-workers were all female and that guy was going to be there with them. I went back in and the suspect had moved toward a table where a family of four were sitting. I could see that he had a gun in his right hand and he was hiding it behind his right leg. It was a dark revolver with a barrel that looked like it was around six inches. I saw him go up to a young girl at that table and pull her hair back and put the gun against her head. I don't remember hearing him or any of the family members say anything as that was going on.

I could see that [REDACTED] was already running toward the office and [REDACTED] was at the fryers. I started to go behind the counter as the suspect was with that family. I told [REDACTED] to go to the back because that guy had a gun.

[REDACTED], [REDACTED] and [REDACTED] were in the office and I was next to the freezer and [REDACTED] was in the fridge. The suspect was in between me and the office. [REDACTED] was on the phone and the guy said to her, "are you talking to the police, why are you talking to the police?"

As I was standing there I was trying to figure out if there was something I could do against him. Then he turned around and put the gun to my chest and said, "you need to get the fuck out of here!" Just then [REDACTED] ran out the back door and he points the gun at her direction and pulls the trigger of his gun. I heard it go click and didn't hear anything else.



# SACRAMENTO POLICE DEPARTMENT

## PUBLIC HARDCOPY

### RELEASED PER PUBLIC RECORDS ACT REQUEST

GO# SA 2012-332558 CLEARED  
EXCEPTIONALLY

1315-19 245(A)(1)AWDW-NON-FIREARM

He then turned toward the two girls ( [REDACTED] and [REDACTED] ) and was asking, "where's the back room, where's the door that locks?" I was heading out and leaving through the back door. As I got outside I could see in the distance that [REDACTED] ) was putting on his gun and vest. He was running toward the back door and he asked me where the suspect was. I told him that he was just inside the back door. [REDACTED] opened the door and peeked inside. At this point I'm on the phone with 911 telling them what's going on. I told the dispatcher that I thought an off-duty cop was there. I do remember seeing a girl helping [REDACTED] get his gear and I asked her if she was with him. She said yes and told me that [REDACTED] was a bail bondsman.

I told the dispatcher that I thought everyone was gone. Then I saw a car in the drive-thru. I was trying to tell them to leave and not have the suspect see me or them. They did leave. The dispatcher asked me for the address of the restaurant and I told them that I didn't know. Just then an employee from the Chase bank was walking toward the restaurant and I told him what was going on. He stayed out of the restaurant and I asked him for the address of the bank. He told me and I gave that address to the dispatcher and told him that we were next door. At this point [REDACTED] ran out of the restaurant and went into the taqueria behind us.

One of the officers got there and I hung up phone. I met the officer and told him what had happened. I was talking to him for about five minutes and then he told me to go to a vacant building next to our building (west of the Jack-In-the-Box). I was at that building for about 10-15 minutes. Other officers were showing up and then all of us were moved to the back of the Raleys. [REDACTED] and [REDACTED] were already there. I joined them and [REDACTED] and [REDACTED] never made it there.

I think about 40 minutes passed from the time I called the police to the time I got to the back of Raleys. According to my cell phone I called 911 at 1232 hours. During the time I was able to see the suspect and stand near him, I never noticed anything like the smell of alcohol on his breath. He didn't seem to be under the influence of any drug, as far as I could tell.



# SACRAMENTO POLICE DEPARTMENT

## PUBLIC HARDCOPY

RELEASED PER PUBLIC RECORDS ACT REQUEST

GO# SA 2012-332558 CLEARED  
EXCEPTIONALLY

1315-19 245(A)(1)AWDW-NON-FIREARM

### Related Text Page(s)

Document: **04 OBSERVATIONS**

Author: **3319 - MORSE, DOUGLAS 3121**

Subject: **OFFICER D. MORSE OBSERVATIONS**

Related date/time: **Dec-08-2012 (Sat.)**

I, Officer D. Morse #720, am currently assigned as a Public Information Officer (PIO) for the Sacramento Police Department.

On Saturday, December 8, 2012 I responded to the area of 8349 Folsom Boulevard on reports of a take-over robbery to a fast food restaurant with possible hostages being held by an armed suspect.

I arrived on scene at approximately 1315 hours and began conducting my duties as PIO. Upon arrival I checked in with the incident commander at the command post where I received updated information regarding this incident.

At approximately 1345 hours while on the East edge of the inside perimeter I was approached by a male white adult (later identified as witness [REDACTED]) that was motioning to get my attention as he walked up to me. [REDACTED] was wearing an apparent bullet proof vest (body armor) on the exterior of his shirt, a shield type badge hung around his neck, and had a black semi automatic handgun tucked in the front right portion of his belt. The muzzle of the gun was exposed as it stuck out from the bottom of his belt.

[REDACTED] immediately related to me that he had witnessed the initial incident and he had retrieved his gun when customers and employees were fleeing the restaurant. [REDACTED] also related to me that he is a licensed bail bondsman and has a concealed carry permit. Realizing that [REDACTED] may be able to provide critical information to the incident commander I asked him if he would accompany me to the command post. [REDACTED] immediately agreed and we subsequently walked to the command post.

Moments after arriving at the command post I briefly reviewed [REDACTED] credentials to carry a concealed loaded firearm. I asked [REDACTED] if I could secure his weapon while we further investigate his involvement in this incident. [REDACTED] agreed and I secured his firearm in the trunk of my unmarked police vehicle.

I remained on scene conducting my PIO duties until the hostage situation was resolved. I later relinquished custody of [REDACTED] firearm over to Sgt. Hitchcock.

No further investigative action by this officer.



# SACRAMENTO POLICE DEPARTMENT

## PUBLIC HARDCOPY

RELEASED PER PUBLIC RECORDS ACT REQUEST

GO# SA 2012-332558 CLEARED  
EXCEPTIONALLY

1315-19 245(A)(1)AWDW-NON-FIREARM

### Related Text Page(s)

Document: **06 DETECTIVE SUPPLEMENT**

Author: **602 - MACLAFFERTY, SCOTT 3065**

Subject: **DET. MACLAFFERTY**

Related date/time: **Dec-08-2012 (Sat.)**

I, Detective Scott MacLafferty #0749, am currently assigned as a Homicide Detective with the Sacramento Police Department. I am also assigned to the Hostage Negotiation Team (HNT) as an ancillary duty. The Hostage Negotiation Team's primary responsibility is to respond to critical incidents involving situations where someone's life is in jeopardy and we try to mediate the situation using special training and communication skills. We are commonly deployed with the Sacramento Police Department's SWAT team to these critical incidents.

On 12/08/12 at approx. 1253 hours, I received a text from SPD Communications to respond to the Jack in the Box located at 8349 Folsom Blvd. Lt. Dennis Joy had initiated a SWAT/HNT call out for a robbery to the business where the suspect was currently on scene and had taken hostages. I responded from home in the HNT capacity. I arrived just prior to 1400 hours and entered the command post that had been established behind the Raley's on Folsom Blvd. I contacted the team leader, Sgt. Doug Voska, who was still gathering intelligence. The HNT team established a Negotiations Operations Center (NOC) at a residence just behind the Raley's Supermarket. I was assigned to be the intel team leader and gathered in-coming intelligence for the negotiator that would attempt to contact the suspect or any hostages on the phone. Ofc. Natalie Duckham was the lead negotiator and had phone contact with the suspect (Xang Khang) and one of the hostages (██████████). Once the situation was resolved by SPD SWAT, I transitioned to my role as a Homicide Detective in the shooting investigation.

On 12/08/12 at approx. 1738 hours, I attended a briefing that was held by Lt. Dennis Joy regarding the facts and circumstances of the case as he knew them. There were numerous Detectives, Officers, and Attorneys present for this briefing. SPD Homicide Sgt. Enriquez assigned me to interview SWAT Officer John Lightfoot who was one of the shooting officers. Ofc. Lightfoot was assigned as a sniper who fired from the south across Folsom Blvd.

On 12/08/12 at approx. 1820 hours, I completed a walk through of Officer Lightfoot's position. SPOA Attorney at Law Judy Odbert was present for this walk through as well as Det. Kirtlan and Detective Sgt. Stigerts who were assigned to the crime scene. SPOA representatives Dustin Smith and Aaron Wallace were present as well as SPD Internal Affairs Sgt. Adam Vassalo. Officer Lightfoot showed us the position where he was at in a yard of used tires across Folsom Blvd. A rectangular hole had been cut out of the cyclone fence which had a clear view into the south side of the Jack in the Box restaurant. Ofc. Lightfoot's .308 Remington Rifle was on the ground near some tires as well as one spent casing and one live round. I then departed the scene and returned to the Hall of Justice to conduct the interview with Ofc. Lightfoot.

On 12/08/12 at approx. 2200 hours, I took a detailed recorded statement from Officer Lightfoot. His assigned Attorney, Judy Odbert was present. At the beginning of this interview I completed a weapons check of Officer



# SACRAMENTO POLICE DEPARTMENT

## PUBLIC HARDCOPY

RELEASED PER PUBLIC RECORDS ACT REQUEST

GO# SA 2012-332558 CLEARED  
EXCEPTIONALLY

1315-19 245(A)(1)AWDW-NON-FIREARM

Lightfoot's issued Sig Sauer .40 caliber service pistol and one magazine. The weapon was found to be fully loaded with twelve rounds in the magazine and one in the gun. (See transcribed statement).

On 12/09/12, I contacted the Sacramento County Coroner's Officer and spoke with Heather Griffiths. Griffiths advised that the results of the livescan prints on the suspect had not returned. She faxed the prints to Cal ID and received an identification hit. The suspect was identified as Khang, Xang 04/13/1986, Xref# [REDACTED], CII [REDACTED]. I then ran a search in Web KPF on Xang Khang 04/13/1986 and noticed numerous arrests in his history and a misdemeanor outstanding arrest warrant for 11377 H&S. Det. Johnson located a 2012 address for Khang at [REDACTED].

On 12/09/12 at approx. 1335 hours, Det. Johnson, Det. Toel, and I went to [REDACTED] 16th Avenue in an attempt to contact family members and notify them of Khang's death. We spoke with [REDACTED] and [REDACTED] who were brothers of Xang Khang. Xang Khang's mother arrived shortly thereafter and was also told by her son.

Det. Johnson told [REDACTED] that we would like to search Xang's room to make sure there was not anything dangerous left behind. [REDACTED] and [REDACTED] went with us to the room. I requested CSI to photograph the room and evidence. His bedroom was located in the north west portion of the house. A mattress had been pressed up against the door and we noticed that the north window was open. We searched the room and located the following items.

(7) boxes of "Abilify" in an "Asian Pacific Community Counseling Bag" plastic bag found on the mattress. Each box contained seven tabs of medication.

(1) open prescription pill bottle containing 21 "Seroquil" pills. The prescription was for Xang Khang and prescribed by Dr. [REDACTED] on 11/30/12. The pill container was found on a shelf along the west wall.

(1) Super X .22 caliber bullet was found on the floor inside of the closet.

We returned to the Hall of Justice where I updated the Sacramento County Coroner's Officer regarding the family information for Xang Khang. I booked the items into evidence.

On 12/09/12 at approx. 1557 hours, I took a recorded statement from [REDACTED] and [REDACTED] (11 yrs old) who were inside the Jack In the Box and assaulted by the suspect. (See summary statements).

On 12/11/12 at approx. 1437 hours, I took a recorded statement from [REDACTED]. Ms. [REDACTED] is an ex-girlfriend of S-Xang Khang. (See summary statement).



**SACRAMENTO POLICE DEPARTMENT**

**PUBLIC HARDCOPY**

**RELEASED PER PUBLIC RECORDS ACT REQUEST**

**GO# SA 2012-332558 CLEARED  
EXCEPTIONALLY**

**1315-19 245(A)(1)AWDW-NON-FIREARM**

Follow Up Report # SA 1

**Follow Up Report # SA 1**

**Assignment Information**

Assigned to: **477 - JOHNSON, M 0706 ( )** Rank: **DETECTIVE**

Capacity: **OFFENSE INVESTIGATION (DETECTIVES ONLY)** Org unit: **OOI MAJOR CRIMES -  
HOMICIDE**

Assigned on: **Dec-08-2012 (Sat.) 13** by: **268 - ENRIQUEZ, F 3020 ( )**

Report due on: **Apr-07-2013 (Sun.)**

**Submission Information**

Submitted on: **Mar-19-2013 (Tue.) 1521**

Checked by: **285 - STIGERTS, MARNIE J 4110**

Approved on: **Apr-03-2013 (Wed.)** by: **285 - STIGERTS, MARNIE J 4110**

**Follow Up Conclusion**

Follow Up concluded: **Yes**



# SACRAMENTO POLICE DEPARTMENT

## PUBLIC HARDCOPY

RELEASED PER PUBLIC RECORDS ACT REQUEST

GO# SA 2012-332558 CLEARED  
EXCEPTIONALLY

1315-19 245(A)(1)AWDW-NON-FIREARM

Follow Up Report # SA 1

### Related Attachment(s) - CRIME LAB REPORT

Attachment Description: SWAT WEAPON REPORT

Reference Number:



OFFICE OF THE

DISTRICT ATTORNEY

SACRAMENTO COUNTY

JAN SCULLY  
DISTRICT ATTORNEY

CYNTHIA G. RESEMER  
CHIEF DEPUTY

ALBERT C. LOCHER  
ASSISTANT DISTRICT ATTORNEY

JILL L. SPRIGGS  
LABORATORY DIRECTOR

12/21/2012

Sacramento Police Department  
5770 Freeport Blvd, Suite 100  
Sacramento, CA 95822

LAB CASE NO: 12-010564  
REQUEST NO: 0002  
AGENCY NO: SPD-12-332558



**SUBJECT:**

Khang, Xang

**VICTIM:**



**SUMMARY**

The officer's rifles were test fired; they functioned in the normal manner.

**EVIDENCE RECEIVED**

*Note: In this report, a two-part number, for example 001-01, references an item. The first portion (001) is the laboratory submission number and the second part (01) is the item number.*

Item	Description
001-01	One Remington brand, model 700, 308 Winchester caliber bolt action rifle with serial number [REDACTED]
001-01-A	Five Hornady brand, 308 Winchester caliber, match grade intact cartridges removed from the pouch on the side of the rifle.
002-02	One Remington brand, model 700 AAC-SD, 308 Winchester caliber bolt action rifle with serial number [REDACTED]
002-02-A	One Hornady brand, 308 Winchester caliber, match grade intact cartridge removed from the chamber of Item 002-02.
002-02-B	One Hornady brand, 308 Winchester caliber, match grade intact cartridge removed from the rifle case.
002-02-C	Five Hornady brand, 308 Winchester caliber, match grade intact cartridges removed from the pouch on the side of the rifle.

LABORATORY OF FORENSIC SERVICES

4800 Broadway, Suite 200 - Sacramento, CA 95820-1530  
(916) 874-9240 FAX (916) 874-0620

This report contains the results and conclusions of the signing analyst.



# SACRAMENTO POLICE DEPARTMENT

## PUBLIC HARDCOPY

### RELEASED PER PUBLIC RECORDS ACT REQUEST

GO# SA 2012-332558 CLEARED  
EXCEPTIONALLY

1315-19 245(A)(1)AWDW-NON-FIREARM

Follow Up Report # SA 1

12/21/2012  
12-010564  
Page 2

#### EVIDENCE RECEIVED continued

003-03	One Defense Procurr Mfg. (DPMS) brand, model LR-308, 308 Winchester caliber semiautomatic rifle with serial number 28353.
003-03-A	One Magpul brand PMAG detachable box style magazine removed from the inner pouch of the outer pocket of the rifle case.
003-03-B	Twenty-five Hornady brand, 308 Winchester caliber, match grade intact cartridges removed from the outer pocket of the rifle case.
003-03-C	One Magpul brand PMAG detachable box style magazine, with cover attached, containing 20 Hornady brand, 308 Winchester caliber, match grade intact cartridges. The magazine was removed from the outer pocket of the rifle case.
003-03-D	One Magpul brand PMAG detachable box style magazine containing 20 Hornady brand, 308 Winchester caliber, match grade intact cartridges. The magazine was removed from the outer pocket of the rifle case.
003-03-E	One unknown brand detachable box style magazine containing 19 Hornady brand, 308 Winchester caliber, match grade intact cartridges. The magazine was removed from the outer pocket of the rifle case.
003-03-F	One Magpul brand PMAG detachable box style magazine, with cover attached, containing 20 Hornady brand, 308 Winchester caliber, match grade intact cartridges. The magazine was removed from the inner pouch of the outer pocket of the rifle case.
004-04	One Colt brand, model M4LE, 5.56mm (223) caliber automatic rifle with serial number LEO93502.
004-04-A	One Magpul brand PMAG detachable box style magazine removed from the outer pocket of the rifle case.
004-04-B	Thirty Winchester brand, 223 Remington caliber intact cartridges removed from the outer pocket of the rifle case.
004-04-C	One Magpul brand PMAG detachable box style magazine containing 30 Winchester brand, 223 Remington caliber intact cartridges. The magazine was removed from the outer pocket of the rifle case.
004-04-D	One Winchester brand, 40 S&W caliber intact cartridge removed from the outer pocket of the rifle case.
005-05	One Colt brand, model M4LE, 5.56mm (223) caliber automatic rifle with serial number LEO93506.
005-05-A	One Magpul brand PMAG detachable box style magazine removed from the center magazine pouch of the outer pocket of the rifle case.
005-05-B	Fifty-nine Winchester brand, 223 Remington caliber intact cartridges removed from the outer pocket of the rifle case.
005-05-C	One Industries Valicartier Inc. (IVI) brand, 5.56X45mm caliber intact marking cartridge removed from the outer pocket of the rifle case.
005-05-D	One Magpul brand PMAG detachable box style magazine containing 16 Industries Valicartier Inc. (IVI) brand intact marking cartridges. The magazine was removed from the right side magazine pouch of the outer pocket of the rifle case.





# SACRAMENTO POLICE DEPARTMENT

## PUBLIC HARDCOPY

### RELEASED PER PUBLIC RECORDS ACT REQUEST

GO# SA 2012-332558 CLEARED  
EXCEPTIONALLY

1315-19 245(A)(1)AWDW-NON-FIREARM

Follow Up Report # SA 1

12/21/2012  
12-010564  
Page 3

#### EVIDENCE RECEIVED continued

005-05-E	Two Magpul brand PMAG detachable box style magazines connected to each other by a PMAG Grip. The Magazines were removed from the outer pocket of the rifle case.
006-06	One Colt brand, model M4LE, 5.56mm (223) caliber automatic rifle with serial number LEO93473.
006-06-A	One Magpul brand PMAG detachable box style magazine removed from the outer pocket of the rifle case.
006-06-B	Thirty Winchester brand, 223 Remington caliber intact cartridges removed from the out pocket of the rifle case.
006-06-C	One Magpul brand PMAG detachable box style magazine, with cover, containing 20 Winchester brand, 223 Remington caliber intact cartridges. The magazine was removed from the center magazine pouch of the outer pocket of the rifle case.
006-06-D	One Magpul brand PMAG detachable box style magazine containing 20 Winchester brand, 223 Remington caliber intact cartridges. The magazine was removed from the right side magazine pouch of the outer pocket of the rifle case.

#### EXAMINATION, RESULTS, AND CONCLUSIONS

I examined Item 001-01, the Remington brand, model 700, 308 Winchester caliber bolt action rifle with serial number [REDACTED]. I received the rifle unloaded with the safety on and the bolt closed. The rifle is equipped with a functional thumb set trigger block safety and has an integral magazine with a four round capacity. The trigger pull is approximately 4 ¼ pounds. I test fired the rifle three times using ammunition submitted with the rifle (Item 001-01-A); the rifle functioned in the normal manner.

I examined Item 002-02, the Remington brand, model 700 AAC-SD, 308 Winchester caliber bolt action rifle with serial number [REDACTED]. I received the rifle with an intact cartridge in the chamber, the safety on, and the bolt open. I removed the cartridge from the chamber and itemized it as Item 002-02-A. The rifle is equipped with a functional thumb set trigger block safety and has an integral magazine with a four round capacity. The trigger pull is approximately 3 ¼ to 3 ½ pounds. I test fired the rifle three times using the cartridge from the chamber (Item 002-02-A) and two of the cartridges submitted with the rifle (Item 002-02-C); the rifle functioned in the normal manner.

I examined Item 003-03 the Defense Procure Mfg. (DPMS) brand, model LR-308, 308 Winchester caliber semiautomatic rifle with serial number 28353. I received the rifle unloaded with the safety on and the action open. The rifle is equipped with a functional thumb set trigger block safety. The trigger pull is approximately 5 ¼ to 5 ½ pounds. I test fired the rifle three times using one of the submitted magazines (Item 003-03-A) and ammunition submitted with the rifle (Item 003-03-B); the rifle functioned in the normal manner.

I examined Item 004-04 the Colt brand, model M4LE, 5.56mm (223) caliber automatic rifle with serial number LEO93502. I received the rifle unloaded with the safety on and the action open. The rifle has a three position selector switch; safe, semi, and auto. The trigger block safety is functional and the trigger pull is approximately 5 ½ to 5 ¾ pounds. I test fired the rifle six times using one of the submitted magazines (Item 004-04-A) and



# SACRAMENTO POLICE DEPARTMENT

## PUBLIC HARDCOPY

### RELEASED PER PUBLIC RECORDS ACT REQUEST

GO# SA 2012-332558 CLEARED  
EXCEPTIONALLY

1315-19 245(A)(1)AWDW-NON-FIREARM

Follow Up Report # SA 1

12/21/2012  
12-010564  
Page 4

#### EXAMINATION, RESULTS, AND CONCLUSIONS *continued*

ammunition submitted with the rifle (Item 004-04-B). The first three rounds were fired in semiautomatic mode and the last three were fired in automatic mode; the rifle functioned in the normal manner.

I examined Item 005-05 the Colt brand, model M4LE, 5.56mm (223) caliber automatic rifle with serial number LEO93506. I received the rifle unloaded with the safety on and the action open. The rifle has a three position selector switch; safe, semi, and auto. The trigger block safety is functional and the trigger pull is approximately 6 to 6 ¼ pounds. I test fired the rifle six times using one of the submitted magazines (Item 005-05-A) and ammunition submitted with the rifle (Item 005-05-B). The first three rounds were fired in semiautomatic mode and the last three were fired in automatic mode; the rifle functioned in the normal manner.

I also examined Item 006-06 the Colt brand, model M4LE, 5.56mm (223) caliber automatic rifle with serial number LEO93473. I received the rifle unloaded with the safety on and the action open. The rifle has a three position selector switch; safe, semi, and auto. The trigger block safety is functional and the trigger pull is approximately 6 ¼ to 6 ½ pounds. I test fired the rifle six times using one of the submitted magazines (Item 006-06-A) and ammunition submitted with the rifle (Item 006-06-B). The first three rounds were fired in semiautomatic mode and the last three were fired in automatic mode; the rifle functioned in the normal manner.

*Leslie L. Pool*

\_\_\_\_\_  
Leslie L. Pool  
Criminalist

Date: 12/19/2012

Technical review by: \_\_\_\_\_

Date: 12/21/2012

*E.M. Parnell*

Administrative review by: \_\_\_\_\_

Date: 12/21/2012



**SACRAMENTO POLICE DEPARTMENT**

**PUBLIC HARDCOPY**

**RELEASED PER PUBLIC RECORDS ACT REQUEST**

**GO# SA 2012-332558 CLEARED  
EXCEPTIONALLY**

**1315-19 245(A)(1)AWDW-NON-FIREARM**

**Follow Up Report # SA 1**



# SACRAMENTO POLICE DEPARTMENT

## PUBLIC HARDCOPY

RELEASED PER PUBLIC RECORDS ACT REQUEST

GO# SA 2012-332558 CLEARED  
EXCEPTIONALLY

1315-19 245(A)(1)AWDW-NON-FIREARM

Follow Up Report # SA 1

### Related Attachment(s) - CRIME LAB REPORT

Attachment Description: 3D SCANSTATION REPORT

Reference Number:



OFFICE OF THE

DISTRICT ATTORNEY

SACRAMENTO COUNTY

JAN SCULLY  
DISTRICT ATTORNEY

CYNTHIA G. BESEMER  
CHIEF DEPUTY

ALBERT C. LOCHER  
ASSISTANT DISTRICT ATTORNEY

JILL L. SPRIGGS  
LABORATORY DIRECTOR

1/28/2013

Sacramento Police Department  
5770 Freeport Blvd, Suite 100  
Sacramento, CA 95822

LAB CASE NO: 12-010564  
REQUEST NO: 0001  
AGENCY NO: SPD-12-332558



**SUBJECT:**

Khang, Xang

**VICTIM:**



**CRIME SCENE REPORT**

On December 8, 2012 I received a call from Sacramento Police Department Sergeant Marnie Stigerts for assistance at a shooting scene. The scene was located at a Jack in the Box restaurant at 8349 Folsom Boulevard in Sacramento. I arrived on scene at approximately 2025 hours with Criminalist Jason Hooks. We were met and briefed by Detective Jason Kirtlan. According to Detective Kirtlan the suspect was armed with a firearm and held two restaurant employees hostage. After unsuccessful negotiations with the suspect, officers shot the suspect. It was agreed that we would document and collect evidence from the front interior of the restaurant and the Police Department would process the back area of the restaurant and all areas outside the restaurant.

Criminalist Hooks took photographs for note taking purposes and I further documented the scene using the Leica ScanStation.

The Jack in the Box restaurant faces Folsom Boulevard. There are public entrances to the building on the east and west sides. On the east side there are two doors, one faces east and one faces south. The restaurant seating is in the front portion of the restaurant and the service counter is located in the back, or northern portion, of the public area of the restaurant. To the right of the service counter is an opening to allow access behind the counter and to the back of the restaurant. To the right of that opening there is a wall and then a hallway leading to the restrooms. The women's restroom is on the east side of the hall and the men's restroom is at the north end of the hallway.

LABORATORY OF FORENSIC SERVICES

4800 Broadway, Suite 200 - Sacramento, CA 95830-1330  
(916) 874-9240 FAX (916) 874-6620

This report contains the results and conclusions of the signing analyst



# SACRAMENTO POLICE DEPARTMENT

## PUBLIC HARDCOPY

### RELEASED PER PUBLIC RECORDS ACT REQUEST

GO# SA 2012-332558 CLEARED  
EXCEPTIONALLY

1315-19 245(A)(1)AWDW-NON-FIREARM

Follow Up Report # SA 1

1/28/2013  
12-010564  
Page 2

In the east facing door on the east side of the restaurant there are two apparent bullet holes through the glass and one into the door frame that does not exit. These were labeled and photographed as LP1, LP2, and LP3 respectively. There were two corresponding bullet holes located inside the restaurant; one in the tile baseboard in the west wall and one in the ceiling tile above the service counter. The hole in the baseboard was labeled and photographed as LP20. We removed the tile and a portion of the sheetrock beneath it and recovered a bullet fragment from the interior portion of the exterior west wall. The fragment was collected as item LP20. The hole in the ceiling tile was labeled and photographed as LP19. We removed the ceiling tile, but could not locate a bullet or bullet fragment.

There were at least two bullet holes through the glass of the front window of the restaurant; the south side of the building. These were labeled and photographed as LP23 and LP24. There was also a bullet hole through a window on the west side of the building that was labeled and photographed as item LP22. There was damage inside the restaurant corresponding to these holes as follows:

Item Number	Description and Location
LP5	A hole in the north wall near the east entrance. A bullet jacket fragment was collected as item LP5.
LP6	A hole in the East wall of the hallway that leads to the restrooms. A bullet fragment was collected as item LP6.
LP7	A defect in the east wall of the hallway near the door to the women's restroom.
LP8	A defect in the door frame of the men's restroom and a small hole in the door at the frame on the right side above the handle. The Men's restroom is located at the north end of the hall.
LP9	A defect in the upper portion of the door to the men's restroom at the end of the hall.
LP11	A defect in the light fixture in the hallway.
LP14	A defect in the end of wall that separates the service area from the hallway.
LP15	A defect in the door of a refrigerator that is located behind the service counter.
LP16	A defect in the door of a refrigerator that is located behind the service counter.
LP17	A defect in the tile wall above a refrigerator located behind the service counter.

The defects LP9, LP14 through LP17, and LP19 were chemically tested with a presumptive test for the presence of lead and a second test for the presence of copper. The presence of either of these elements would indicate that the defect was consistent with a bullet strike. All of the defects tested presumptive positive for the presence of lead; defects LP15 and LP17 also tested presumptive positive for the presence of copper.

There was a large amount of blood on the floor in front of the service counter. On the counter was a Harrington and Richardson (H&R) brand, model 676, 22 caliber revolver. The revolver had blood on it and was loaded with six Winchester brand, intact cartridges. I collected the revolver and ammunition as item LP18. On the floor behind the counter was a bullet jacket fragment I collected as item LP26.



# SACRAMENTO POLICE DEPARTMENT

## PUBLIC HARDCOPY

### RELEASED PER PUBLIC RECORDS ACT REQUEST

GO# SA 2012-332558 CLEARED  
EXCEPTIONALLY

1315-19 245(A)(1)AWDW-NON-FIREARM

Follow Up Report # SA 1

1/28/2013  
12-010564  
Page 3

I collected several metal fragments and bullet fragments in the restaurant as follows:

Item	Description and Location
LP4	One bullet jacket from the floor near the south facing door on the east side of the restaurant.
LP10	One metal fragment from the hallway near the door to the women's restroom.
LP12	One metal fragment from the floor at the south end of the hallway.
LP13	One metal fragment from the floor to the left of the wall that separates the hallway to the restrooms from the service counter.
LP26	One bullet jacket fragment from the floor behind the service counter.
LP27	One bullet jacket fragment from the blood on the floor in front of the service counter.

I also collected a spoon from a flash bang as item LP21. The spoon was located under the soda machine that was against the west wall near the west entrance to the restaurant.

Prior to leaving the scene I received the following rifles from Detective Kirtlan:

*Note: In this report, a two-part number, for example 001-01, references an item. The first portion (001) is the laboratory submission number and the second part (01) is the item number.*

Item	Description
001-01	One Remington brand, model 700, 308 Winchester caliber bolt action rifle with serial number [REDACTED]
002-02	One Remington brand, model 700 AAC-SD, 308 Winchester caliber bolt action rifle with serial number [REDACTED]
003-03	One Defense Procure Mfg. (DPM) brand, model LR-308, 308 Winchester caliber semiautomatic rifle with serial number 28353.
004-04	One Colt brand, model M4LE, 5.56 (223) caliber automatic rifle with serial number LEO93502.
005-05	One Colt brand, model M4LE, 5.56 (223) caliber automatic rifle with serial number LEO93506.
006-06	One Colt brand, model M4LE, 5.56 (223) caliber automatic rifle with serial number LEO93473.

We left the scene at approximately 0300 hours on December 9, 2012. I transported all of the evidence I received and collected back to the laboratory.

A copy of the crime scene photos was submitted to the Evidence Unit as submission 012.

Leslie L. Poole  
Criminalist

Date: 1/7/2013



**SACRAMENTO POLICE DEPARTMENT**

**PUBLIC HARDCOPY**

**RELEASED PER PUBLIC RECORDS ACT REQUEST**

**GO# SA 2012-332558 CLEARED  
EXCEPTIONALLY**

**1315-19 245(A)(1)AWDW-NON-FIREARM**

Follow Up Report # SA 1

1/28/2013  
12-010564  
Page 4

Technical review by: \_\_\_\_\_

Date: 1/14/2013

Administrative review by: \_\_\_\_\_

Date: 1/28/2013



**SACRAMENTO POLICE DEPARTMENT**

**PUBLIC HARDCOPY**

**RELEASED PER PUBLIC RECORDS ACT REQUEST**

**GO# SA 2012-332558 CLEARED  
EXCEPTIONALLY**

**1315-19 245(A)(1)AWDW-NON-FIREARM**

**Follow Up Report # SA 1**





# SACRAMENTO POLICE DEPARTMENT

## PUBLIC HARDCOPY

RELEASED PER PUBLIC RECORDS ACT REQUEST

GO# SA 2012-332558 CLEARED  
EXCEPTIONALLY

1315-19 245(A)(1)AWDW-NON-FIREARM

Follow Up Report # SA 1

### Related Attachment(s) - OTHER

Attachment Description: DA LETTER

Reference Number:



## OFFICE OF THE DISTRICT ATTORNEY

SACRAMENTO COUNTY

JAN SCULLY  
DISTRICT ATTORNEY

CYNTHIA G. BHESEMER  
CHIEF DEPUTY

ALBERT LOCHER  
ASSISTANT DISTRICT ATTORNEY

August 27, 2013

Samuel D. Somers, Jr., Chief of Police  
Sacramento Police Department  
5770 Freeport Boulevard, Suite 100  
Sacramento, CA 95822

RE: Officer-Involved Shooting, Case No. SPD 12-332558

Shooting Officers: SPD Sergeant Adam Green #360  
SPD Detective Ray Villegas #61  
SPD Officer Andy Davis #853  
SPD Officer Todd Edgerton #826  
SPD Officer Kevin Griffin #364  
SPD Officer John Lightfoot #570

Person Shot: Xang Khang  
(Decedent) (DOB 04/13/86; X-ref [REDACTED] CDL [REDACTED])

Dear Chief Somers:

The District Attorney's Office, as an independent agency, has completed its review of the above-referenced officer involved shooting. Issues of civil liability, tactics and departmental policies and procedures were not considered. We address only whether or not there is sufficient evidence to support the filing of a criminal action in connection with the shooting of Xang Khang. For the reasons set forth below, we conclude that the shooting was lawful.

#### SPECIAL INVESTIGATIONS

901 G Street, Sacramento, California 95814  
(916) 874-5897 FAX (916) 321-2226 www.sacda.org



# SACRAMENTO POLICE DEPARTMENT

## PUBLIC HARDCOPY

### RELEASED PER PUBLIC RECORDS ACT REQUEST

GO# SA 2012-332558 CLEARED  
EXCEPTIONALLY

1315-19 245(A)(1)AWDW-NON-FIREARM

Follow Up Report # SA 1

Written reports and other documentary items were received. These included: Sacramento Police Department (SPD) report 2012-332558; Sacramento County District Attorney Laboratory of Forensic Services reports 12-010564-1 through 6; video and audio recordings; 911 calls; witness interviews; photographs; diagrams; evidence logs; and reports prepared by District Attorney Investigators.

#### FACTUAL SUMMARY:

On December 8, 2012, at approximately 1232 hours, SPD dispatch began receiving calls reporting an armed robbery suspect (later identified as Xang Khang) inside the Jack-in-the-Box restaurant located at 8349 Folsom Boulevard. The calls contained information that an Asian male in his early 20's was pointing a gun at employees inside the restaurant. The next update came at 1235 hours from a bail bondsman (identified as [REDACTED] of "Global Fugitive") stating that he was wearing a vest and went inside with his gun and was able to escort one employee from the building.

At 1241 hours, Sergeant Freeman arrived at the back door of the Jack-in-the-Box; other officers set up a perimeter around the restaurant. Officers identified and contacted three employees who were able to escape out the back door. One of those employees, [REDACTED] told officers that he observed a fellow co-worker, [REDACTED] as she ran toward the rear door and that he saw the suspect point his revolver at her and pull the trigger but the gun did not fire. Officers were able to determine that Khang was still inside, that he was armed and that he was holding two female employees hostage. Khang released one of the two hostages [REDACTED]; she confirmed that the suspect was armed and that he had one remaining hostage [REDACTED].

After obtaining this information, Sergeant Freeman called for the SWAT and Hostage Negotiation Teams to respond. A witness approached officers and stated that she was on the phone with a family member who was being held hostage inside Jack-in-the-Box. The witness with the phone stated that she was a cousin to [REDACTED] who was one of the hostages. She stated she received a phone call and could hear the suspect. She said that it was evident that the suspect did not know the phone had been activated.

The Hostage Negotiation Team took over the phone and established communication with Khang. A Hostage Negotiator spoke with Khang, who stated he wanted two hours and then he would let his hostage free. He said he would not hurt her but that "he needed a few hours to chill." The officer heard Khang say, "They better not be stupid and come through the attic. I will shoot you if they do! You know I will, don't you?" The officer heard [REDACTED] say, "Yes, I do because you have a gun to my head!" The suspect continued, "Man, they need to back off! I will hurt you if they come inside here! They better not come through that door. I will shoot." Khang then gave the phone back to [REDACTED] and she was able to confirm that she and Khang were the only two people left in the restaurant. During the conversation, [REDACTED] told the Hostage Negotiator that Khang had to go to the bathroom and asked if she should run if she got the chance. She was instructed to do so.



# SACRAMENTO POLICE DEPARTMENT

## PUBLIC HARDCOPY

### RELEASED PER PUBLIC RECORDS ACT REQUEST

GO# SA 2012-332558 CLEARED  
EXCEPTIONALLY

1315-19 245(A)(1)AWDW-NON-FIREARM

Follow Up Report # SA 1

SWAT officers positioned themselves around the restaurant and were able to observe Khang inside with a pistol in his hand. Based on the threats of violence and observations of the suspect holding a gun on the hostage and the fact he had attempted to fire the gun by pulling the trigger, SWAT officers believed that the hostage's life was in jeopardy. They concluded that there was a strong likelihood that Khang was going to kill [REDACTED]. The SWAT Commander, Lieutenant Jeff Watson, gave authorization to shoot the suspect if officers observed him with a gun in his hand and had a clear shot. Lieutenant Watson was given the authority to use deadly force by the Incident Commander, Lieutenant Dennis Joy.

Khang was again observed holding a gun to the back of [REDACTED] head. Khang kept his hostage facing towards the officers.

Officers observed as Khang went into the restroom but were unable to get a clear shot as he came out. Detective Villegas and Officer Lightfoot planned on taking simultaneous shots at the suspect, meaning they would not shoot unless they both had a clear shot. The plan was that the first shot would break the glass and the second would neutralize the threat.

Khang and [REDACTED] were seen leaving the restroom with [REDACTED] in front of Khang. As Khang walked through the hallway, [REDACTED] took a quick step to her left. Both Villegas and Lightfoot said, "I have a shot," which was their verbal cue to shoot. They both fired their weapons. [REDACTED] was approximately 1 ½ feet away from the Khang at the time of the shots being fired. Sergeant Green and Officers Davis, Edgerton, and Griffin also fired their guns at Khang. The officers shot one round each and immediately rendered their weapons safe as they knew the contact team would enter for the purpose of rescuing the hostage.

The suspect was fatally wounded and [REDACTED] was rescued unharmed. A Harrington & Richardson Model 676 Winchester .22 Magnum caliber revolver was recovered from underneath Khang's body. The revolver had blood covering most of its surface area. The revolver was loaded with Winchester brand .22 Long Rifle caliber cartridges. One of the bullets removed from the revolver had a firing pin impression, indicating that the trigger had been pulled. Laboratory analysis of the revolver found that the gun was operational and it was successfully test fired. The fact that the cartridge with the firing pin impression failed to fire was due to a malfunction in the cartridge and not the revolver.

Subsequent to the shooting, [REDACTED] was interviewed and was able to provide details of what went on inside prior to SWAT officers shooting Khang. [REDACTED] stated the following:

- Khang came in with a gun in his hand.
- He forced her and two other employees into the backroom.
- She was forced by Khang to make phone calls to the police telling them not to attempt a rescue.



# SACRAMENTO POLICE DEPARTMENT

## PUBLIC HARDCOPY

### RELEASED PER PUBLIC RECORDS ACT REQUEST

GO# SA 2012-332558 CLEARED  
EXCEPTIONALLY

1315-19 245(A)(1)AWDW-NON-FIREARM

Follow Up Report # SA 1

- Two employees were able to get away, leaving her alone with Khang.
- He forced her to retreat to the restroom with him.
- On two occasions he asked if she could orally copulate him. Both times [REDACTED] was able to push him away.
- [REDACTED] asked Khang why he was doing this and he stated it was because he was on drugs. He told [REDACTED] he was on "meth."
- On three or four occasions [REDACTED] observed Khang smoking a pipe by putting a lighter under it as he inhaled at one end.

Broken glass fragments, consistent with pieces of a pipe commonly used for smoking methamphetamine, were found on the floor of the electrical closet. Two lighters were also found nearby. A blood sample taken from Khang confirmed the presence of methamphetamine and amphetamine in his bloodstream at the time of his death.

Dr. Gregory Reiber, Forensic Pathologist for the Sacramento County Coroner's Office, conducted an autopsy and determined that Khang died from multiple gunshot wounds.

#### LEGAL ANALYSIS:

A peace officer may use deadly force under circumstances where it is reasonably necessary for self-defense or defense of another. California Penal Code sections 196 and 197 specifically provide that in a situation where it is reasonably necessary for an officer to defend himself or another person against death or serious bodily injury, the use of deadly force is legally justified. (See CALCRIM 505.) Additionally, an officer who has reasonable cause to believe a person has committed a public offense or is a danger to themselves or others may use reasonable force to affect arrest or detention, to prevent escape or to overcome resistance. (*Tennessee v. Gardner* (1985) 471 U.S. 1; *Graham v. Connor* (1989) 490 U.S. 386; *Kortum v. Alkrie* (1977) 69 C.A.3d 325; CALCRIM 2670.)

The officers arrived at the scene and were able to ascertain that an armed man was holding hostages at gun point. The behavior of the perpetrator appeared to be erratic as he would disappear into a backroom with the remaining hostage, Ms. [REDACTED] and then reappear with a gun held to [REDACTED] head. Officers at the scene had information relayed to them from the 911 dispatcher who reported hearing the suspect threaten to shoot the hostage if the police attempted to enter and that Khang had attempted to fire his gun at one of the hostages. Based on the information at the scene, the officers believed that Ms. [REDACTED] was in grave danger of death or serious bodily injury from Khang. Once the officers saw Khang reappear with the gun in his hand, they appropriately took action to save the hostage and to neutralize an active threat to the public.



# SACRAMENTO POLICE DEPARTMENT

## PUBLIC HARDCOPY

### RELEASED PER PUBLIC RECORDS ACT REQUEST

GO# SA 2012-332558 CLEARED  
EXCEPTIONALLY

1315-19 245(A)(1)AWDW-NON-FIREARM

Follow Up Report # SA 1

#### CONCLUSION

Applying the controlling legal standards with the factual record, we conclude the involved officers were justified in using deadly force in this tragic situation. Ultimately it was Xang Khang who put his life, the hostage's life, the officers' lives and the public safety in jeopardy by his own actions. The objective evidence supports a finding that the officers' conduct was reasonable given the circumstances they encountered. There is no legal basis for any further action by our office.

Very truly yours,

JAN SCULLY  
DISTRICT ATTORNEY

RON LINTHICUM  
Deputy District Attorney

cc: Sergeant Adam Green #360  
√ Detective Mark Johnson #706  
Detective Ray Villegas #618  
Officer Andy Davis #853  
Officer Todd Edgerton #826  
Officer Kevin Griffin #364  
Officer John Lightfoot #570  
Francine Tournour, Office of Public Safety Accountability



# SACRAMENTO POLICE DEPARTMENT

## PUBLIC HARDCOPY

RELEASED PER PUBLIC RECORDS ACT REQUEST

GO# SA 2012-332558 CLEARED  
EXCEPTIONALLY

1315-19 245(A)(1)AWDW-NON-FIREARM

Follow Up Report # SA 1

### Narrative Text Report # 1

Document: **01 VICTIM STATEMENT**

Author: **8 - ALONSO, BRYAN 0803**

Subject: [REDACTED]

Related date/time: **Dec-08-2012 (Sat.) 1940**

**On Saturday, 12-8-12 at approximately 1940 hrs**, I, Detective B. Alonso #803 (IV54), interviewed Victim [REDACTED] at the Sacramento County Sheriff's Department Homicide building located at 4510 Orange Grove Avenue. This interview was audio / video recorded, later downloaded to DVD-R and booked into evidence at HOJ (PR# 763828-1).

I first obtained some personal information from Victim [REDACTED] and asked her if there was anything that she needed before we started the interview. I asked Victim [REDACTED] to explain who was working at Jack in the Box (8349 Folsom Blvd) that day (Saturday, 12-8-12) and what happened. Victim [REDACTED] stated the following in summary:

I am a team leader at Jack in the Box (8349 Folsom Blvd). When I have nobody but the green shirts, I do front counter and fryer and everything. When the green shirts are there, I make sure that everything runs smoothly. I am in charge of the shift, but the person that's in charge of everything is [REDACTED] when she's there.

Lately, I've been working mornings. Today, my shift was 0600-1400 hrs. I came on at 0600 and the person on grill goes home. This Jack in the Box is open 24 hours on Fridays and Saturdays and maybe even Thursdays. Well, the drive-thru is open. The lobby is open from 0600-2100 hrs.

I started at 0600 hrs and so did [REDACTED]. We were there by ourselves until about 0900 hrs when [REDACTED] got there. [REDACTED] came in around 1000 hrs and [REDACTED] came in at about 1100 hrs. [REDACTED] was working the grill, [REDACTED] was a rover and helps wherever it's needed. [REDACTED] was working drive-thru and I had [REDACTED] working front counter and fryer.

**Around 1200 hrs is when this all happened.** I remember seeing some customers in the lobby area. I remember seeing a table with three people, another with two or three, and two other tables that only had one person at each. [REDACTED] and I were standing by the fryer, making tacos, and I seen [REDACTED] go running to the back saying something about, "Robber." I didn't know what [REDACTED] was talking about, so I had ran after her. [REDACTED] ran back to the office (N/W room) and was on the phone with the cops. [REDACTED] was using the hardline in the office and everyone was in there. I don't know where [REDACTED] or [REDACTED] had come from, but they were in the office with us. I heard [REDACTED] on the phone saying that we were being robbed or something like that. I didn't know what was going on until I turned around and seen that the guy (later identified as Suspect Xang Khang) had the gun, so I put my hands up. He (suspect) started telling us to get in front of him and was asking [REDACTED] why she was calling the police. I asked him (suspect), "What do you want, what do you want?"

He (suspect) pointed the gun at [REDACTED] and told him to get out. He (suspect) was pointing the gun at [REDACTED] like, "You," and started waving the gun in a motion like he was telling [REDACTED] where to go. [REDACTED] left out the back door. He



# SACRAMENTO POLICE DEPARTMENT

## PUBLIC HARDCOPY

### RELEASED PER PUBLIC RECORDS ACT REQUEST

GO# SA 2012-332558 CLEARED  
EXCEPTIONALLY

1315-19 245(A)(1)AWDW-NON-FIREARM

Follow Up Report # SA 1

(suspect) asked me where the back room was and I was like, "What back room?" I was confused, so I told him about that room where the lights were (referring to the N/E room which will be called the back room). I seen [REDACTED] put the phone down and she started to run out towards the back door. The guy (suspect) grabbed me by the arm and started pulling me in the direction where [REDACTED] was running, and that's when I heard a click. I don't know if he (suspect) was trying to shoot [REDACTED] or what, but when I looked back, he was looking at the gun like, "What the heck?" I'm not sure if he expected it to go off or what he expected. I know that click that I heard came from the gun and when I had looked back after hearing the click, I saw him (suspect) pointing the gun towards the back door. I'm not certain, but I think he was pointing the gun at [REDACTED] when I heard the click because she was running out the back door. (\*\* [REDACTED] *drew a sketch of what the gun looked like. The picture she drew resembled a revolver.*) The gun looked like an old cowboy gun and it had one of those turning things (referring to the cylinder).

I still didn't know what he (suspect) wanted. I kept asking him, "What do you want? What do you want? I'll show you where everything is. What do you want?" He told me, "The back room." He (suspect) took me, [REDACTED] and [REDACTED] back there. He told [REDACTED] to stand outside the door (of the back room) and said if any cops were to come in, he would shoot them in the head, then he was going to kill [REDACTED] and me, and then kill himself. I told him (suspect) that [REDACTED] didn't speak any English. We were in the back room and he asked me for my cell phone, but I didn't have my cell phone with me. It was in the locker. [REDACTED] had her cell phone, so he told her to call the cops and he told me to get down on the ground. He kept telling me to open my mouth and was pointing the gun at me. I kept telling him, "No, no, no," and he put the gun right to my mouth and told me to open my mouth. I was like, "No, please no." When I didn't open my mouth, he hit me on top of my head with the gun. I have a bump from him hitting me. I also hit my head on the filing cabinet before all of this happened, but he hit me in the same spot. It didn't feel like he hit me that hard because at the moment, it didn't hurt. It felt like a thump. I'm feeling okay right now. I took some Advil.

After he (suspect) hit me with the gun, he grabbed some wires and told me to tie it to the door. The wire had a gray or white tube that held a red and white candy cane looking wires inside it. This wire had a bunch of wires that came out of both ends. I tied it to the door and when I looked back, I seen that he had turned around (facing away), so I pushed the door open and ran for the back door. When I came out of the back room, I saw [REDACTED] still standing outside the back room and I ran past her. I kept running to the back door (the one leading outside). When I got out the back door, I seen the guy with the vest (Witness [REDACTED] - Bail Bondsman). I hit him (Witness [REDACTED]) when I opened the door because it has one of those bar things to open it, so I hit it real hard to make sure the door opened. The guy (Witness [REDACTED]) told me, "Freeze, freeze." At first, I thought that he might have been with the suspect, but I guess he wasn't. I saw that he (Witness [REDACTED]) had a vest on and I think it said, "AGENT." I saw [REDACTED], so I ran over to him, then I seen people from the Taqueria waving me over, so I went over to them. I stayed at the Taqueria until I talked to the cops. As far as I knew, [REDACTED] and [REDACTED] were still inside Jack in the Box with the guy (suspect).

I only saw that guy (suspect) try to shoot the gun that one time when he was pointing it at [REDACTED]. I never heard that "click" from the gun again.



# SACRAMENTO POLICE DEPARTMENT

## PUBLIC HARDCOPY

### RELEASED PER PUBLIC RECORDS ACT REQUEST

GO# SA 2012-332558 CLEARED  
EXCEPTIONALLY

1315-19 245(A)(1)AWDW-NON-FIREARM

Follow Up Report # SA 1

I have no idea what that guy (suspect) wanted. I'm confused why he had the gun, but he didn't ask us for anything. The only thing he asked for was a cell phone and he said to call 9-1-1. I didn't mention money or the safe to him because I don't know the numbers or how to get into the safe and I didn't want him getting mad. I'm just happy I'm alive. I thought I was going to die. I'm going to church tomorrow.

I don't know if anyone else was involved with this guy (suspect), but I only seen the one guy. This guy (Suspect Khang) was a MAA, between 21 and 25 years old with a round face. He was short (about 5'3 tall), had a medium build (he wasn't real skinny, but he wasn't fat either), light complexion, bushy eyebrows, black hair and short hair (approximately 1/2 inch). I think he was wearing baggy jeans and maybe a white shirt, but I'm not 100 percent sure. I'm pretty sure that he had a light colored shirt on. He spoke English, but spoke with an accent. Working at Jack in the Box, I am used to hearing people talk with different accents, so I understood him. He didn't seem drunk, but he did seem a little slow. It just seemed like he was slow to process things. He didn't seem under the influence of a drug to me, but I don't know.

When the police found out that I had been inside Jack in the Box with this guy (suspect), they had me go behind Raley's with them. They were asking me how many guns and how many guys there were. They also had me draw a diagram for them like this one I just drew. I told the police that as far as I knew, there was only one guy and one gun inside. Later, when I was still behind Raley's, I heard two loud bangs about two seconds apart.

About an hour and a half after I got out, I found out that [REDACTED] was okay because I saw her behind Raley's. I hugged [REDACTED] when I saw her, but we didn't talk because I don't understand her since she doesn't speak English. I didn't know if [REDACTED] was okay at the time when I heard the two loud bangs.

*The interview ended at approximately 2055 hrs.*

**\*\* Please refer the audio/video recording of the interview for further details (PR# 763828-1).**





**SACRAMENTO POLICE DEPARTMENT**

**PUBLIC HARDCOPY**

**RELEASED PER PUBLIC RECORDS ACT REQUEST**

**GO# SA 2012-332558 CLEARED  
EXCEPTIONALLY**

**1315-19 245(A)(1)AWDW-NON-FIREARM**

**Follow Up Report # SA 1**



# SACRAMENTO POLICE DEPARTMENT

PUBLIC HARDCOPY

RELEASED PER PUBLIC RECORDS ACT REQUEST

GO# SA 2012-332558 CLEARED  
EXCEPTIONALLY

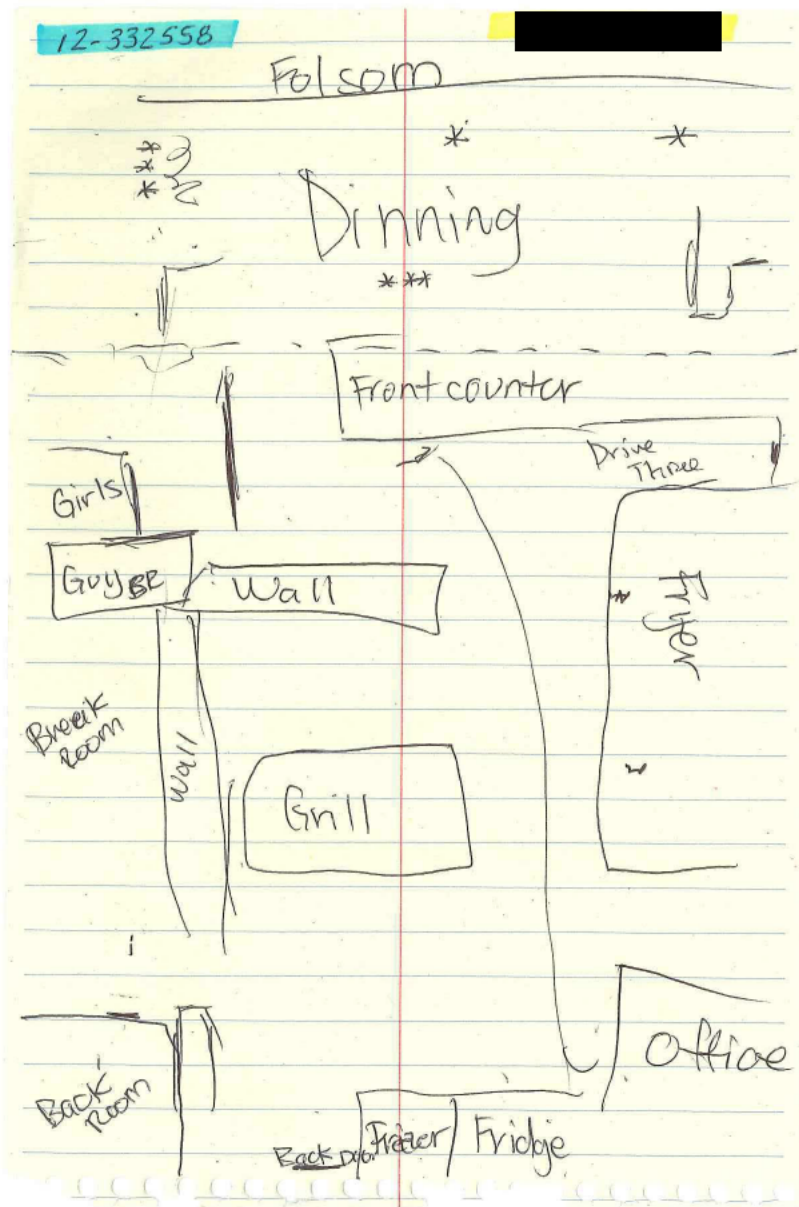
1315-19 245(A)(1)AWDW-NON-FIREARM

Follow Up Report # SA 1

## Related Attachment(s) - OTHER

Attachment Description: SKETCHES FROM [REDACTED] INTERVIEW

Reference Number:





SACRAMENTO POLICE DEPARTMENT

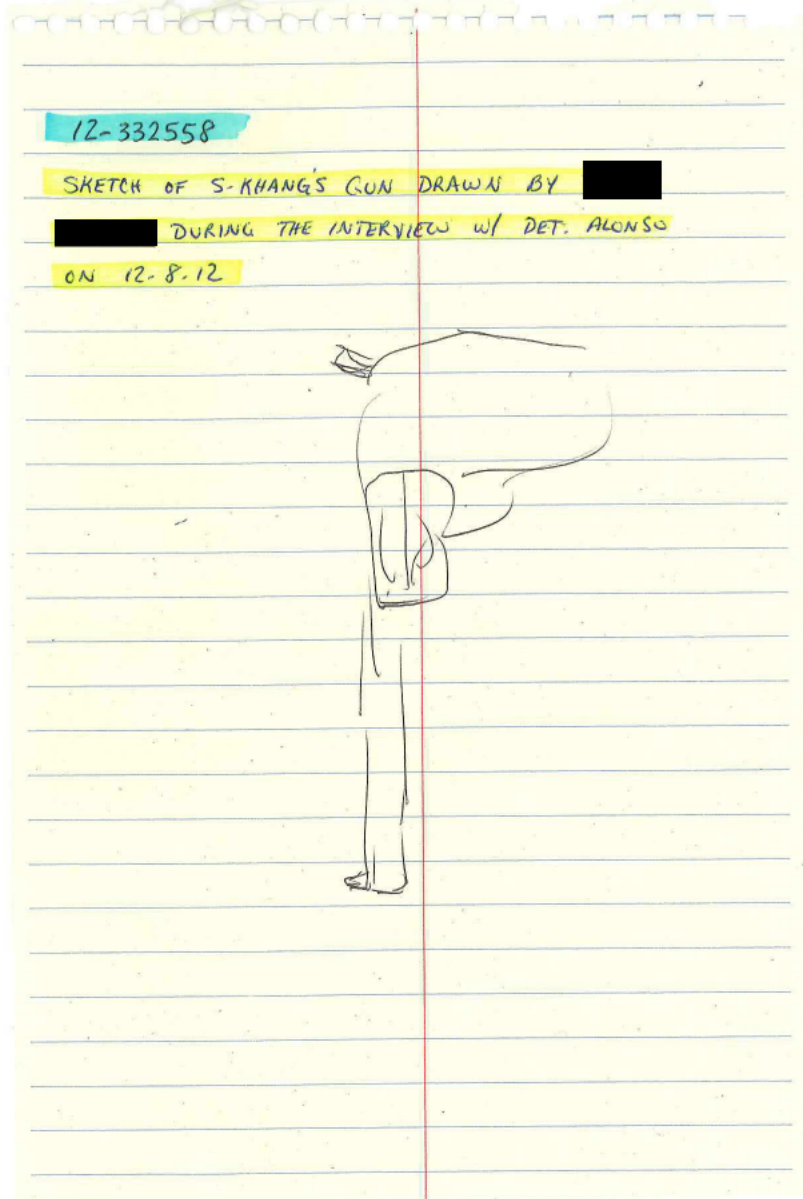
PUBLIC HARDCOPY

RELEASED PER PUBLIC RECORDS ACT REQUEST

GO# SA 2012-332558 CLEARED  
EXCEPTIONALLY

1315-19 245(A)(1)AWDW-NON-FIREARM

Follow Up Report # SA 1





# SACRAMENTO POLICE DEPARTMENT

## PUBLIC HARDCOPY

RELEASED PER PUBLIC RECORDS ACT REQUEST

GO# SA 2012-332558 CLEARED  
EXCEPTIONALLY

1315-19 245(A)(1)AWDW-NON-FIREARM

Follow Up Report # SA 1

### Narrative Text Report # 2

Document: **01 VICTIM STATEMENT**

Author: **8 - ALONSO, BRYAN 0803**

Subject: [REDACTED] (" [REDACTED] ")

Related date/time: **Dec-08-2012 (Sat.) 2134**

**On Saturday, 12-8-12 at approximately 2134 hrs**, I, Detective B. Alonso #803 (IV54), interviewed Victim [REDACTED] at the Sacramento County Sheriff's Department Homicide building located at 4510 Orange Grove Avenue. This interview was audio / video recorded, later downloaded to DVD-R and booked into evidence at HOJ (PR# 763828-3).

I first obtained some personal information from Victim [REDACTED] and asked her if she was hurt in any way. Victim [REDACTED] told me that she was alright and began to tell me a very condensed version of what happened. Victim [REDACTED] told me that the suspect (later identified as Xang Khang) punched her on the left side of her jaw, kicked her on the upper portion of her left leg, and hit her several times on the top of her head. Victim [REDACTED] also said that Suspect Khang placed the gun to her head and also tried to put the gun inside her mouth, but she would not let him. Victim [REDACTED] advised me that Suspect Khang told her that he was on drugs and that he didn't know what he was doing. Victim [REDACTED] witnessed Suspect Khang smoking something that he told her was "neff" (later determined to be "meth").

I asked Victim [REDACTED] to explain who was working at Jack in the Box (8349 Folsom Blvd) that day (Saturday, 12-8-12) and what happened. (**\*\* During the interview, Victim [REDACTED] drew sketch of the interior layout of Jack in the Box and we both drew a sketch describing what Suspect Khang's firearm looked like (PR# 763828-4).** The picture of the firearm resembled a revolver). Victim [REDACTED] stated the following in summary:

I am a cashier at Jack in the Box (8349 Folsom Blvd). My shift changes, but today, my shift was 1100-1600 hrs. I got to Jack in the Box at about 1050 hrs today and [REDACTED] (manager), [REDACTED] (cashier / team leader), [REDACTED] (cashier) and [REDACTED] (grill) were there when I got in. They all have different hours than I do. These are the employees that were here in Jack in the Box when all of this happened.

[REDACTED] doesn't speak any English. She speaks Punjabi and a little Hindi. I am from India and I speak Gujarati, English and Hindi. I can communicate with [REDACTED] by speaking Hindi with her.

I don't really know what time all of this started, but it was about an hour and a half into my shift. I guess it would be about 1230 hrs or so. I went towards the front of the restaurant from the fryer area when I saw the guy (suspect) walking inside by the front counter. At first, I thought that he was just here to fix something because I didn't see the gun in his hand. After I saw the gun in his hand, I ran away back to the office to hide. Everyone except [REDACTED] was in that office. [REDACTED] was in the refrigerator getting something, but she came into the office right after I did. The guy came into the office and was putting the gun up to everyone's head. [REDACTED] was calling the police or 9-1-1 in the office from the office phone (hard-line).



# SACRAMENTO POLICE DEPARTMENT

## PUBLIC HARDCOPY

### RELEASED PER PUBLIC RECORDS ACT REQUEST

GO# SA 2012-332558 CLEARED  
EXCEPTIONALLY

1315-19 245(A)(1)AWDW-NON-FIREARM

Follow Up Report # SA 1

█ and █ escaped, so it was me, █ and █ that he (suspect) grabbed. I don't know how █ and █ escaped, but there is a back door that goes outside. This door is between the refrigerator and the back room.

The guy (suspect) put the gun up to █ head first and told us to follow him to the back room. He was asking █ where the back room was and █ said that she didn't know anything about a back room. He grabbed my collar and took us to the back room.

I didn't see him (suspect) do anything to █. The guy (suspect) told █ to not call police or he would shoot her too. █ told the guy that █ didn't speak any English. █ stayed outside the back room, but the guy took █ and me into the back room and shut the door. At this point, he still didn't tell us what he wanted. He just told me and █ to sit in the corner. There were some lockers in that room and he (suspect) was looking through there. I think that he was looking for money because he said that he wanted money too.

He (suspect) grabbed █ and she sat down by the door. The door was locked. Well actually, I think there was a lock on the door, but it wasn't working properly. He told █ to open her mouth and tried to put the gun in her mouth too, but she wouldn't let him. I don't know what he (suspect) was doing, but █ got a chance to run away, so she did and I was the only one there. After █ left, there was some wires and he locked the door with the wires by attaching the wires to the door. I don't know how he made it lock, but he was doing it with the wires.

---

I saw the gun that he had. It was silver with a brown grip. I wasn't sure if it was fake or not. It was a big gun.

**\*\* I drew a picture of a revolver to better explain what the cylinder was and how it operated. After Victim █ looked at the picture, she stated the following in summary:**

I think it was like that (pointing at the picture of the revolver). The gun didn't look like the ones that you carry (referring to a semi-automatic pistol).

---

He (suspect) tried to tie my hands behind my back, but he didn't tie them properly and they were loose so it never worked. When I was sitting in the corner after █ was already gone, he (suspect) was slapping me in the face. He slapped me hard. Well, the first time, he slapped me with an open hand, but then he punched me in the face twice on the left side of my face because he kept telling me to call 9-1-1 to tell them not to come to Jack in the Box. He also kicked me in the leg (Victim █ indicated the side of her upper left leg). He hit me about five or six times I think and pulled my hair. He also choked me, but I was able to breathe a little bit still. He (suspect) wanted me to call 9-1-1 and tell them not to come into Jack in the Box and if someone tries to come in, he will shoot me. They (9-1-1 dispatch) didn't understand what I was telling them because they told me that if I didn't have an emergency, then I shouldn't call them. He (suspect) kept telling me to call 9-1-1, so sometimes I would just pretend like I was, but I really wasn't. I called my mom and talked to her in my language because I figured that he (suspect) was on drugs and he wouldn't understand me. I told my mom to save me because I was so scared. I ended up calling 9-1-1 like thirteen times. I know this because I have it on my phone. They (9-1-1 dispatch) called me back ten times.



# SACRAMENTO POLICE DEPARTMENT

## PUBLIC HARDCOPY

### RELEASED PER PUBLIC RECORDS ACT REQUEST

GO# SA 2012-332558 CLEARED  
EXCEPTIONALLY

1315-19 245(A)(1)AWDW-NON-FIREARM

Follow Up Report # SA 1

After he turned off the lights, he tried to touch me right here (pointing next to her left ear) with his face. I could tell it was his face next to mine because I felt his mustache and beard. I just pushed him away and I lied to him by saying that I was married and I have a kid, hoping that would help. He didn't try anything at that point, but he did take off his shirt. I don't remember him having his tank top on though. I thought he was going to do something to me because he came close to me again, but he said, "Can you suck my dick?" or something like that. He said this twice, but I just pushed him away because I didn't want him to touch me. I said, "Please don't do this to me." I think he took off his pants a little bit. I couldn't see well because it was dark. The lights were still off, but I could see a little bit because of the lights coming in from outside the room. He never touched me (sexually) except for what I just told you. At some point, he took off his shirt because he burned it. He burned his shirt when I was on the phone with the police and he was smoking drugs. I think he was smoking out of a glass pipe because when he broke it, it sounded like glass breaking. He smoked the drugs about three or four times, even after I told him not to.

I was afraid that he was going to rape me, but he didn't. I would tell you if he had. I was confused about the whole thing because he never really said what he wanted. He kept saying to himself, "What am I doing?" I was scared because I really thought I was going to die. At that one point, I thought he was going to try to rape me too, but then after I pushed him away, he stopped touching me and stopped trying anything sexual. He did want me to stay close to him because he thought that the police were on the top (roof) trying to find out where we were. He kept looking up.

After this, he told me to call the police and tell them to give him two hours and he would let me out. He said, "I'm not going to kill you. Don't worry." He said that he was sorry and told me that he has a kid and a wife too. He said that his kid was 9 or 10 years old. When I asked him why he was doing this, he told me it was because he was on drugs and he didn't have anyone. When I asked him what kind of drugs he was using, he just said "neff" (later determined to be "meth"). I just know about marijuana, so I'm not sure.

He did talk to the police on the phone. He told them his name was Xiong Khang (Victim ██████ pronounced the first name "Zong"), but told them that he didn't know his age. He asked if the police were going to kill him.

I talked to an officer that was with my cousin (via cell phone). This was a while after I talked to my mom and it was about an hour after ██████ had escaped. I think my cousin called me and I must have answered it somehow because it was in my back pocket and when I took my phone out, I saw that it had been connected for 8 minutes, so I think they heard the conversation. When I spoke to my cousin, there was an officer there with her. I told Xiong (suspect) that it was the police. I told the police officer that he (suspect) just wants two hours and he'll let me go. Xiong was smoking drugs when I was talking on the phone. He was calm at this point. The officer said to give the phone to Xiong and he told them his name, but he didn't know his age. He (suspect) was asking the police if they were going to shoot him, but he handed the phone back to me pretty quick. The officer told me not to hang up, so I never hung up. This way, the police could hear what was going on.

While my cousin and the officer were on the phone, Xiong was hitting the lockers or cabinets that were in the room. It was making a lot of noise. He was hitting them because he thought that the police were on the roof trying to figure out where we were.



# SACRAMENTO POLICE DEPARTMENT

## PUBLIC HARDCOPY

### RELEASED PER PUBLIC RECORDS ACT REQUEST

GO# SA 2012-332558 CLEARED  
EXCEPTIONALLY

1315-19 245(A)(1)AWDW-NON-FIREARM

Follow Up Report # SA 1

Xiong told me that he was hungry and he wanted to go to the hospital because he felt sick. He said that he felt sick because he hadn't eaten anything for six days, so he wanted to eat something. I told him that I would make something for him to eat because we were at Jack in the Box. He wanted water too, so I got water for him from the drive thru area. After I got the water, he said that he wanted to go to the restroom. He was behind me.

When we went to the restroom, I tried to tell him that I needed to go to the bathroom too. I was lying because I was just trying to get away from him, but he wouldn't let me go. He went into the restroom, but not to go to the bathroom. He wanted to wash himself because he said that he was smelling dirty or something. He made me come with him into the restroom. I tried to tell him that I would wait outside, but he didn't listen to me. He washed his face and body off with the water.

When we walked out of the bathroom, I saw the officers with the guns outside. He told me to go first. I was worried that the police were going to shoot him. Xiong (suspect) said that he knew that the police would shoot him and he said that he would just shoot himself. When I walked out, Xiong was behind me, but he wasn't close enough to grab me if he put his arm straight out.

When I came out, I had my hands up and I could see the officers outside the glass. I was waving my hands trying to say, "No, don't shoot," and the officers were waving their hands in a motion telling me to come out. I couldn't actually hear them, but they were telling me to come out. Before I ran, the officers shot and I saw that they shot Xiong. That's when I ran out. Before the officers shot, I didn't know exactly where Xiong was. After the shots is when I looked back and saw Xiong laying on the ground bleeding. I didn't see where his (suspect's) gun was. I was about 6-7 feet away from him (Victim [REDACTED] actually showed me the approximate distance in the interview room) and standing to the side where the officers would have been able to see him. I never got any of his blood on me or anything. I wasn't that close to him. I heard a total of three shots. The shots had a pause between them. I could tell that it was the officers in black standing right in front of me that shot.

This guy (suspect) is Hmong. I know this because he told me and I know because I have Hmong friends too and can recognize them. He said his name was Xiong Khang. When I was on the phone with the police, they told me to ask him his name, but he wouldn't give them his birthday and said that he didn't know his age. He was about 25 or 26 years old, about 5'3, 155 lbs, medium build, long black hair with a mustache and a beard on his chin (goatee). He wasn't wearing a hat or glasses. He was wearing a black short-sleeve button up shirt with white vertical lines. The shirt was open and he had a white tank top underneath. He was also wearing black shorts. He didn't have any tattoos. The officer I talked to told me to ask him if he came in a car and he told me that he walked, but I'm not sure where from.

He (suspect) told me that nobody in his family likes him, so he has a lot of anger and he just wants to kill someone. He said that he was coming to Jack in the Box because he wants to kill everyone and stuff like that. He (suspect)



# SACRAMENTO POLICE DEPARTMENT

## PUBLIC HARDCOPY

### RELEASED PER PUBLIC RECORDS ACT REQUEST

GO# SA 2012-332558 CLEARED  
EXCEPTIONALLY

1315-19 245(A)(1)AWDW-NON-FIREARM

Follow Up Report # SA 1

told me that he wanted to kill everyone, then take the money and go, but then he said that he was so stupid to be thinking of this kind of stuff because he was on drugs and was addicted to drugs.

I felt that if the police didn't shoot him, he would've killed me. I couldn't trust him (suspect) and the way that he was talking, I thought that he was going to kill me. He told me that if somebody came inside the building, he was going to shoot and kill me. He also told the officer on the phone that if someone got inside, something bad was going to happen.

I never took any video or pictures with my phone. I didn't think to do that or to record anything on my phone.

---

*The interview ended at approximately 2336 hrs.*

*\*\* Please refer the audio/video recording of the interview for further details (PR# 763828-3).*





**SACRAMENTO POLICE DEPARTMENT**

**PUBLIC HARDCOPY**

**RELEASED PER PUBLIC RECORDS ACT REQUEST**

**GO# SA 2012-332558 CLEARED  
EXCEPTIONALLY**

**1315-19 245(A)(1)AWDW-NON-FIREARM**

**Follow Up Report # SA 1**



# SACRAMENTO POLICE DEPARTMENT

PUBLIC HARDCOPY

RELEASED PER PUBLIC RECORDS ACT REQUEST

GO# SA 2012-332558 CLEARED  
EXCEPTIONALLY

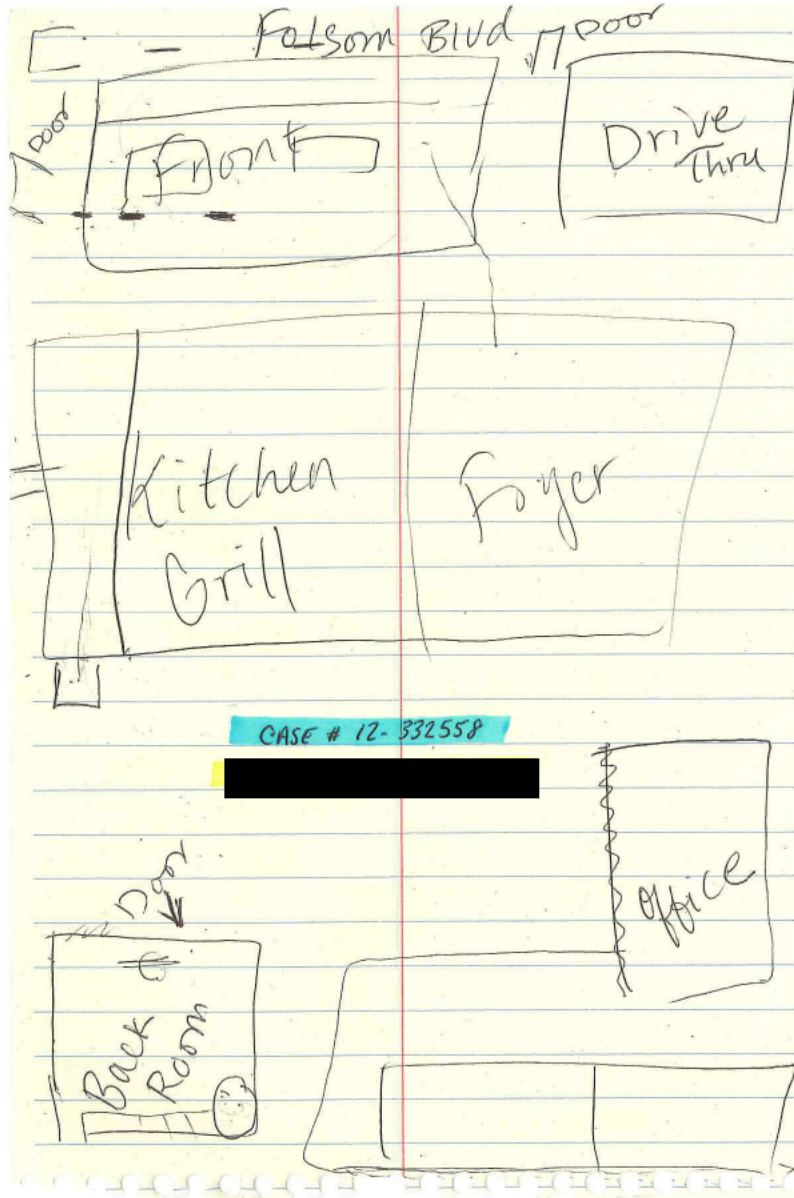
1315-19 245(A)(1)AWDW-NON-FIREARM

Follow Up Report # SA 1

## Related Attachment(s) - OTHER

Attachment Description: SKETCHES FROM [REDACTED] INTERVIEW

Reference Number:





# SACRAMENTO POLICE DEPARTMENT

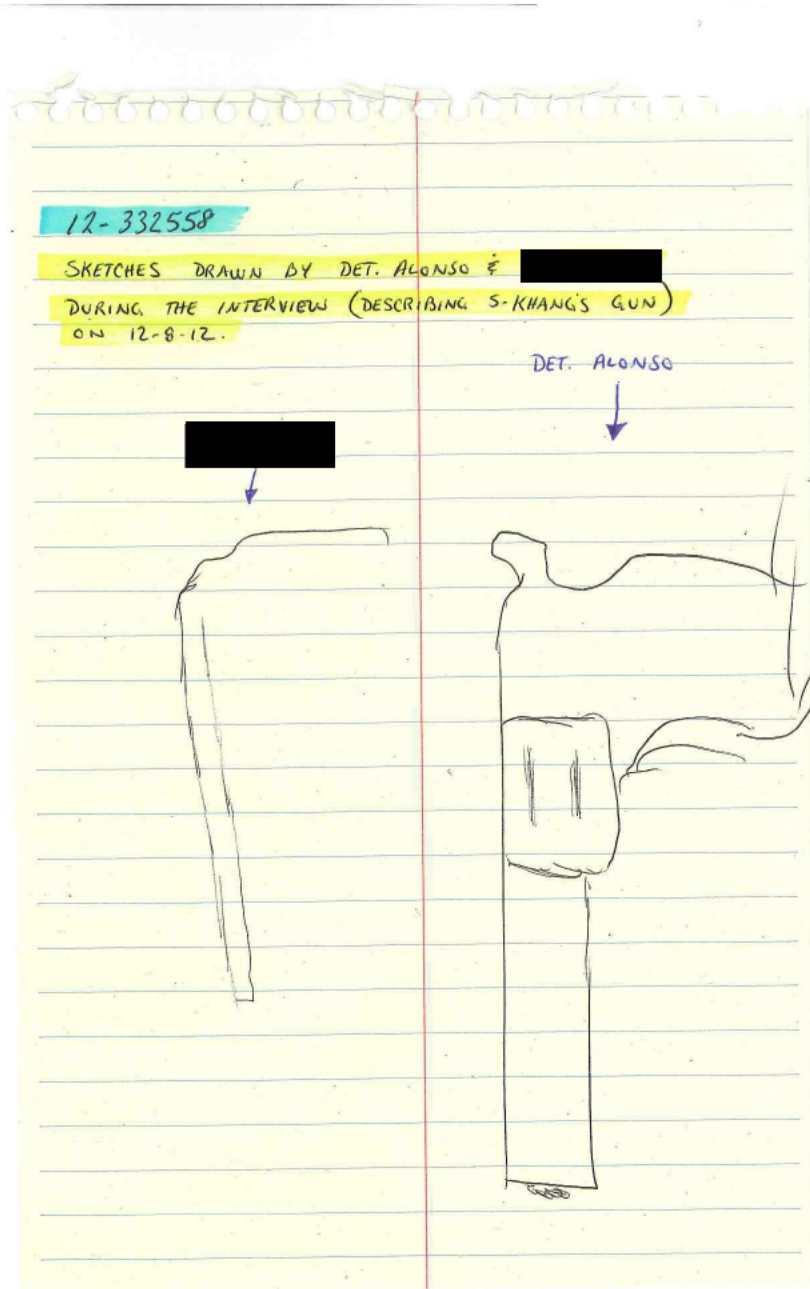
## PUBLIC HARDCOPY

RELEASED PER PUBLIC RECORDS ACT REQUEST

GO# SA 2012-332558 CLEARED  
EXCEPTIONALLY

1315-19 245(A)(1)AWDW-NON-FIREARM

Follow Up Report # SA 1





# SACRAMENTO POLICE DEPARTMENT

## PUBLIC HARDCOPY

RELEASED PER PUBLIC RECORDS ACT REQUEST

GO# SA 2012-332558 CLEARED  
EXCEPTIONALLY

1315-19 245(A)(1)AWDW-NON-FIREARM

Follow Up Report # SA 1

### Narrative Text Report # 3

Document: 01 VICTIM STATEMENT

Author: 602 - MACLAFFERTY, SCOTT 3065

Subject: (VICTIM #1) [REDACTED] Nov-0

Related date/time: Dec-09-2012 (Sun.) 1604

Interview: [REDACTED] and [REDACTED] (11 years old)

On 12/09/12 at approx. 1552 hours, I (Det. MacLafferty) spoke with [REDACTED] and [REDACTED] at the Hall of Justice. This interview was audio/video recorded and available for review and transcription. I later booked a copy of the DVD into evidence. [REDACTED] and [REDACTED] said the following in summary.

My name is [REDACTED] [REDACTED] and we live at [REDACTED]. My cell phone number is [REDACTED].

(I identified [REDACTED] [REDACTED]).

We were on our way to get a Christmas tree and we stopped in there (Jack in the Box) for lunch. We didn't see the guy (suspect) until he was right on us. We were sitting along the west facing window on the stools facing out. My other daughter [REDACTED], wife [REDACTED], me, and [REDACTED] on the end were sitting there having lunch. We were just about done when I felt a tap on my shoulder. I looked over and saw the guy was pulling [REDACTED] hair back and he had the gun pointed over her head. He said, "come with me". I got up and he let go of [REDACTED] hair and I followed him over to the front counter area. He was to my left and behind me when he said, "wait here". He walked behind the counter very calm. I could see the drive thru window and one of the female employees was there making fries and she saw the guy come around the counter with a gun and she took off to the back. He walked around the counter. I looked over at my family who were under neath the table. I saw that there was an exit close to where they were and I pointed to the exit so they would run out. The restrooms were to my right and an older black gentleman came out and I told him that there was a guy back there with a gun and he needed to get out right now. That guy was in his late 40's and had a bluetooth in his ear and he went out the main entrance. A few seconds went by and my family left out the exit and I went out behind them. We went to the car and across the parking lot while my wife called 911. We stayed there watching until the police arrived. We did see a guy with a jacket and a gun at the back door and later found out that he was a bail agent and a male employee was talking to him.

The suspect was a little guy about 5-02 or 5-04, Asian male, about 20 years old. He had black hair and he was wearing some kind of a hat on his head. He was wearing baggy clothing. I saw the gun and it was a silver revolver that looked kind of old. He was holding it in his right hand when it was over my daughter's head. I never saw him walk in to the Jack in the Box. I never heard him say anything else to anyone else in the restaurant. I don't know if he was pointing his gun at the employees because at that point his back was to me. I didn't hear anything in the back. There were other customers in there.

When the suspect told me to come with him he was about a half step behind me on my left. He moved me about 10 steps before he told me to wait here and he never asked me for money. My wife told me that she started to



# SACRAMENTO POLICE DEPARTMENT

## PUBLIC HARDCOPY

RELEASED PER PUBLIC RECORDS ACT REQUEST

GO# SA 2012-332558 CLEARED  
EXCEPTIONALLY

1315-19 245(A)(1)AWDW-NON-FIREARM

Follow Up Report # SA 1

pull out her purse because she thought that we were getting robbed. I don't know if he actually pulled the trigger on that gun.

(I then spoke with [REDACTED]).

I became aware of the suspect when I was eating lunch and he started pulling my hair. He had a strong grip on my hair and it caused my head to yank back. I tried to get my dad's attention and my dad got up. I didn't know that he had been tapped. The guy then let go of my hair and I saw my dad and the guy walking toward the counter. When he grabbed my hair I thought that it might have been one of my friend's that was playing a joke on me. Once he let go I could see him and I saw him with a silver gun. I heard him say something but I didn't know what he was saying. The suspect had some kind of a hat on and something like a brown jacket that did not have sleeves and a shirt underneath. He was holding onto my hair for about a minute and I was scared.

When my dad and the suspect were walking toward the counter my mom was telling us to hide under the tables. We hid under the table and I could see him walking until he got to a part where I could no longer see him. My dad was telling us to get out and I left when I saw my mom and sister leaving. We were waiting a ways away so my mom could get her keys that she left. The police arrived and told us to move so we did.



# SACRAMENTO POLICE DEPARTMENT

## PUBLIC HARDCOPY

### RELEASED PER PUBLIC RECORDS ACT REQUEST

GO# SA 2012-332558 CLEARED  
EXCEPTIONALLY

1315-19 245(A)(1)AWDW-NON-FIREARM

Follow Up Report # SA 1

#### Narrative Text Report # 4

Document: **01 VICTIM STATEMENT**

Author: **3178 - RICHARDSON, S 0621** (██████████)

Subject: **(VICTIM #3)** (██████████)

Related date/time: **Dec-13-2012 (Thu.) 1059**

Interview: (██████████)

On 12/08/12 at approx. 1940 hours, I (Det. Richardson) spoke with (V) (██████████) at 4510 Orange Grove (SSD Detective Division). This interview was audio/video recorded and available for review and transcription. I later booked a copy of the DVD into evidence. (V) (██████████) stated the following in summary.

My name is (██████████) and my birth date is (██████████). I'm the General Manager at the Jack in the Box on Folsom Blvd. I've been the General Manger at the Folsom Blvd store for about one month. I was at Taco Bell for seven months before I came back to Jack in the Box. I went back and forth between Jack and the Box and Taco Bell a few times. I have worked on and off for Jack in the Box for approximately eight years. I helped open the Jack in the Box on Folsom Blvd when it first opened approximately one year ago. I've was originally at the the Folsom Blvd Jack in the Box for about two weeks helping the store open.

My job as the General Manager is to run and manage the employees, make sure the store is clean and take care of the employees and customers. My schedule is Monday 0500-1400 hours, Tuesday 0900-1700 hours, Wednesday I'm off, Thursday 0900-1700 hours, Friday 1000-2000 hours, Saturday 0900-1700 hours and Sunday I'm off.

All my employees are good employees, I don't have issues with any of them. They were all working at the store when I came back a month ago, I don't know how long they've been working at the store. Today I got to the Jack in the Box at 0915 hours. When I got to the store (██████████) and (██████████) ((V) (██████████)) were working, they were both scheduled to work 0600-1400 hours. (██████████) ((V) (██████████)) started working at 1000 hours and (██████████) ((V) (██████████), (██████████)) was scheduled to work at 1100 hours, but she showed up at 1057 hours and I had her clock in right away because we were busy.

Today, (██████████) was working the grill, (██████████) was working the drive thru and fryer, (██████████) was working cashier and (██████████) was a runner. When the incident happened (██████████) and (██████████) were both at the fryer because we had an order for sixteen tacos.

Right before the incident happened I had asked (██████████) to go to another store to get some meat and tomatoes because we were running low. I was with (██████████) by the front doors on the east side of the business when (██████████) told me about a man, he said, "Careful with this guy he's acting weird". (██████████) said he was going in and out of the bathrooms. (██████████) was already out of the store when I looked down the hallway by the bathrooms. I saw the man standing in front of the womens bathrooms and he was pulling his gun out with his left hand. He had gotten the gun from somewhere near his left pocket. When I saw the gun I ran behind the counter and pushed the panic button by the cash registers. I was telling everyone, "We got robbed, we got robbed", everyone said they didn't understand what I said and that is why they followed me to the office. I ran to the office and called 911, there is no door on the office. I called 911 from the work phone in the office. I don't know if the gunman followed



# SACRAMENTO POLICE DEPARTMENT

## PUBLIC HARDCOPY

### RELEASED PER PUBLIC RECORDS ACT REQUEST

GO# SA 2012-332558 CLEARED  
EXCEPTIONALLY

1315-19 245(A)(1)AWDW-NON-FIREARM

Follow Up Report # SA 1

me or my employees, I don't know what happened. When the gunman saw me on the phone he said, "Why are you calling the police?" The dispatcher just picked up when he put his gun in my face. When he turned around to look behind him, I ducked to get out of the office and ran outside. My girls (female employees) were standing right in front of him. [REDACTED], [REDACTED], [REDACTED] and [REDACTED] were all in the office when the gunman had the gun pointed at me. The gunman had come all the way into the office. I don't really know what color the gun was, [REDACTED] said it was silver, I think it was silver. I don't remember anything the man said.

I would say the gunman was about 21 years old, Asian, I think hes Hmong, 5-4 and chubby. I didn't really look at his face, when I saw the gun my brain... He was wearing a short sleeve purple stripped polo, I don't remember his pants. He was not wearing a mask, but he might have been wearing a hat.

He never asked for anything. [REDACTED] and I asked him what he wanted. We said, "You want money? You want money? Here's the money? We'll give you everything." The safe in the office was already open because I was counting the money. He didn't want anything, he didn't say anything. He was looking at [REDACTED]

I thought he was going to shoot me when I ran.

I don't remember him putting his hands on any one.

I never saw him with anyone and I had never seen him before.

I saw his face today, if I saw him again I would recognize him.

I feel like its my fault, because I ran. I left three girls there, I was scared. When I went to the Mexican restaurant I wanted to go back so bad.

I don't know if I'm going to return to work, I'm scared.



# SACRAMENTO POLICE DEPARTMENT

## PUBLIC HARDCOPY

### RELEASED PER PUBLIC RECORDS ACT REQUEST

GO# SA 2012-332558 CLEARED  
EXCEPTIONALLY

1315-19 245(A)(1)AWDW-NON-FIREARM

Follow Up Report # SA 1

#### Narrative Text Report # 5

Document: 01 VICTIM STATEMENT

Author: 31 - AYERS, SHAWN E 3002

Subject: (WITNESS #10) [REDACTED]

Related date/time: Dec-27-2012 (Thu.)

#### WITNESS STATEMENT: [REDACTED]

On Saturday, 12/8/12 at approx. 1940 hours, I (Detective Ayers #763) entered interview room #1 at the SSD Detective Division located at 4510 Orange Grove Ave for the purpose of conducting an interview with [REDACTED], an employee with Jack in the Box, regarding the critical incident/officer-involved shooting (OIS) that took place after the robbery/hostage situation that she was involved in earlier in the afternoon. [REDACTED] daughter, [REDACTED] ([REDACTED]) was also present for this interview as she was called to assist at the scene, 8391 Folsom Blvd (Jack in the Box), in translating for her mother who spoke Punjabi and had limited English. The interview was audio and video recorded.

I began my interview with [REDACTED] which was translated by her daughter, [REDACTED]. During the interview, [REDACTED] translated the following in summary:

I have been working for Jack in the Box for about six (6) years and had been working at the Folsom Blvd location since June of this year. I work as the cook at Jack in the Box.

Today I began my shift at 6:00 am as the cook for the restaurant. Working with me was the cashier, [REDACTED]. The manager, [REDACTED], was the next person to come in to work at 9:00 am. The other employees, [REDACTED] and [REDACTED], came in and started their shift at 11:00 am.

Earlier in the morning, I believe I saw the suspect come into Jack in the Box with a couple of other individuals. The suspect stood out to me because of his hair and because of the way he acted. He acted like a "gangster."

The suspect that came into the Jack in the Box I believed to be male Hispanic, short (approx. 5'3" to 5'4"), skinny, black shoulder length hair that was straight, had a thin mustache and was probably in his mid 20's.

Right before this incident happened, I'm not sure exactly what time it was, but I went into the freezer to grab some items that I needed to cook. On the way out of the freezer I bumped into the guy and apologized to him thinking that it was [REDACTED], the other employee. He turned around and had a gun pointed to my face and I immediately knew that it wasn't [REDACTED] and that we were being robbed.

The suspect was pointing the gun at everybody and was trying to get us to all seat in the kitchen together. At some point, both [REDACTED] and [REDACTED] were able to leave the restaurant. I think that they just ran out. I think that the suspect tried to shoot one of them when they ran out of the restaurant but the gun didn't go off.

The suspect then told the three of us: [REDACTED], [REDACTED] and myself to sit down. Sometime during this the suspect asked where the bathroom was. [REDACTED] told him that it was outside. The suspect then asked about the two rooms inside the restaurant. I believe [REDACTED] told him that it was the storage room and the other was the office.

The suspect then took both [REDACTED] and [REDACTED] with him into one of the rooms and told me to stay seated. I think that he was trying to tell me to go to, but I said that I didn't speak very good English. Both [REDACTED] and [REDACTED] told





# SACRAMENTO POLICE DEPARTMENT

## PUBLIC HARDCOPY

### RELEASED PER PUBLIC RECORDS ACT REQUEST

GO# SA 2012-332558 CLEARED  
EXCEPTIONALLY

1315-19 245(A)(1)AWDW-NON-FIREARM

Follow Up Report # SA 1

the suspect that I didn't speak any English. The suspect then pointed the gun at my head and told me not to call the police or he would kill the other two employees. I was very scared and didn't know what to do. I sat there for awhile and waited for him to return. I think that the suspect took both [REDACTED] and [REDACTED] into the storage room because I could hear some loud noise every once in awhile like something heavy was being dropped. I then saw [REDACTED] run out and I think ran into another man that had a gun, but I'm not sure. I continued to sit there on the kitchen floor like I was told for about another ten (10) minutes. The suspect and [REDACTED] where in the storage room still and hadn't come out so I decided to leave out the front.

When I ran to the front door of the Jack in the Box, there was a male white adult approximately 40-45 years old, who told me to go back inside and go to the bathroom.

That's what I did. I ran to the woman's bathroom and locked the door. I was very scared and didn't know what to do.

I called 911 at 12:37 pm and couldn't get through. I made another call at 1:12 pm and told them that we had been robbed and gave the suspect description. I made a call to my husband's phone at 2:41 pm where I left a message that I was locked in the bathroom at the Jack in the Box.

I then made the decision that I had to leave and get out. I was making myself so sick with worry that I thought that I was going to pass out. I unlocked the bathroom door and just ran out the front door. That's when I was met by all the police who then took me back to somewhere else and wanted to know how many people were still inside and what the suspect looked like and was he alone.

My daughter, [REDACTED], showed up to help translate for the police and that's all I can really say.



# SACRAMENTO POLICE DEPARTMENT

## PUBLIC HARDCOPY

RELEASED PER PUBLIC RECORDS ACT REQUEST

GO# SA 2012-332558 CLEARED  
EXCEPTIONALLY

1315-19 245(A)(1)AWDW-NON-FIREARM

Follow Up Report # SA 1

### Narrative Text Report # 6

Document: **02 WITNESS STATEMENT**

Author: **477 - JOHNSON, M 0706** (████████)

Subject: **INTERVIEW OF OFC VILLEGAS, A 6**

Related date/time: **Dec-08-2012 (Sat.) 2057**

---

(12-8-12, 2057 hrs., Hall of Justice, interview room #5, audio/video recorded, in summary:)

I have been a sworn police officer with Sacramento PD for almost 14 years. I am currently assigned to the Office of the Chief in the Criminal Intelligence Unit (CIU.) I am a reserve for the SWAT team and qualified for SWAT duty. I have been in my current assignment in the CIU for three months. Prior to that, I was assigned to the SWAT team for seven years. I regularly attend scheduled SWAT training.

I am still on the call-out list for SWAT call-outs, so I receive the pages sent to SWAT officers to respond to a SWAT incident. These pages go to all SWAT officers, and they are expected to respond. I received a page to respond to SWAT call-out today around noon. I was in my personal vehicle at the time, so I went home to get my work car which is full of my SWAT gear. I started towards the call-out. I notified the dispatcher on channel 3 that I was responding to the call-out.

When I arrived, the team was already on their positions. I arrived later because I had to pick up my work car. I parked on the east side of the building that is on the east side of Jack in the Box. I asked SWAT Officer Steve Walters on the radio if I should deploy as a sniper, and he said "Yes."

As I arrived, I received information over the radio (I can't remember who) that there was an Asian male suspect with a gun inside Jack in the Box, and there were hostages. I didn't hear over the radio traffic how many hostages there were. The information I received was that a robbery occurred and there was an Asian male inside the business armed with a handgun and holding hostages.

Ofc. Walters also gave me instructions to replace SWAT Officer Kevin Griffin who was on top of the building to the east of Jack in the Box, which is an Asian restaurant. Once an air unit, which I think was CHP, radioed that they didn't see a roof hatch that the suspect could come out of, I made it clear that I was going to transition to covering the east door.

I knew that the team was deployed. I saw the Bearcat [armored vehicle] was on the east side of Jack in the Box, so I knew they would need to set up an entry team first and then work their way out [deploy other positions.] I think Ofc. Walters was the team leader initially on the scene. That's who I heard calling out assignments and asking questions over the radio when I was on my way to the scene. That is a normal function of the team leader. Those kinds of instructions don't have to come from the team leader. Any one of the SWAT team members that sees a position that needs to be filled can make those notifications. It just so happened that Ofc. Walters was making those calls, so that's why I asked him for my assignment. These assignments don't have to be given by the sergeant. If the team leader is giving assignments and doing most of the talking on the radio, then that's who I knew to talk to as I was coming in. I know that SWAT Sgt. Greg Brown was assigned to the call, but I don't know if he was on scene yet when I arrived.



# SACRAMENTO POLICE DEPARTMENT

## PUBLIC HARDCOPY

### RELEASED PER PUBLIC RECORDS ACT REQUEST

GO# SA 2012-332558 CLEARED  
EXCEPTIONALLY

1315-19 245(A)(1)AWDW-NON-FIREARM

Follow Up Report # SA 1

When I arrived and got geared up, I was dressed just like this [wearing SWAT fatigues]. I had my full fatigues. I had my sniper rifle in a drag bag, and I also had a backpack that had my other gear for sniper deployment, which is: binoculars, range finder, snacks and something to drink.

At the time I deployed, I wasn't wearing any other safety equipment. When you deploy as a sniper, you go just like this. You are expected to go to a position where you are not seen. You don't wear the body armor and helmet as you would on the entry team. At times, I use a green mesh concealment net that I put over my head. I know from training that skin is easily spotted, so I use the concealment net to cover my exposed skin for a bit. When Officer Lightfoot joined me, I took the net off.

My first assignment was on top of the building to the east of Jack in the Box. In the beginning, there was a possible threat that the suspect could come out through a hatch on the roof. I was assigned to watch over the roof area of Jack in the Box. There was a tree on the north end of Jack in the Box and on the south end there was a high wall, so I couldn't see the whole roof. I maintained cover up there in case the suspect popped his head up.

I heard radio traffic that the suspect may have been wearing a plaid shirt, but that was very vague. During the time I was on the roof to the east, I never saw the suspect. Sgt. Brown was on the ground communicating with the SWAT officers and managing the scene. In those communications, I received information that at least two hostages, that they were possibly females, but we didn't know if there were more than those two hostages at that time. We knew that the suspect was a big threat to the hostages.

SWAT Officer John Lightfoot joined me on the roof. When he came up the stairwell, "I had to get off my position because I was standing on what he comes up" [roof hatch door or hatch cover to roof.] I had to come off my gun so I can step down and allow Ofc. Lightfoot to come onto the roof. At that point, a female hostage exited Jack in the Box. I didn't see it. I tried to get Ofc. Lightfoot in quickly so I could get back on my gun. "Get back on my gun" means to get back on my scope so that I have a clear view of the target area. The target area is where the suspect might show himself, or where I can have a clear view of what is going on inside the doors.

After that, I learned that the female that came out did not speak very much English, and that there was one more female hostage inside with the suspect.

When assigned to a sniper position, we always try to deploy in twos. In an emergency situation, that doesn't always happen. We were obviously short of snipers during the initial deployment, and I relieved somebody else when I arrived so they could go down for the entry team. When I was on the roof, Ofc. Lightfoot was assigned to join me so that we could be a "sniper element." That's the best-case scenario on a call-out is to have two snipers.

I knew that one hostage came out, and I thought that the suspect would probably try to stay out of our view because he didn't want to be seen by SWAT officers. I thought maybe that another hostage would come out because I knew there were at least two. I felt that the suspect would shoot these hostages, and our job was to protect them and get them out of harm's way. That's what my fear was. That's what was going through my mind, from the minute I got there.



# SACRAMENTO POLICE DEPARTMENT

## PUBLIC HARDCOPY

### RELEASED PER PUBLIC RECORDS ACT REQUEST

GO# SA 2012-332558 CLEARED  
EXCEPTIONALLY

1315-19 245(A)(1)AWDW-NON-FIREARM

Follow Up Report # SA 1

When I arrived I had no idea if the Hostage Negotiation Team was there. I was never notified that HNT had arrived. That was the last thing on my mind when we have an active deal. It's normal for HNT to respond to these kinds of situations. I don't think they are initially activated or if they are coming from a distance, but sometimes we have to secure a situation first to make sure there is no imminent threat right away.

I was made aware that we had communication with someone through a cell phone that was inside Jack in the Box. I know that a female was providing intel to us through a cell phone that was inside the business. I know at one point I remember hearing confirmation that the suspect was inside with a gun. I don't remember the rest of it, but I remember that one of the females on the inside was communicating with somebody on the outside.

All the information coming to us on the SWAT team caused us to maintain our deployment because we knew there was another hostage still inside who was under direct threat from the suspect.

Once Ofc. Lightfoot joined me on the roof, he took a position about 15 yards away from me, closer to the Bearcat. We were covering the same angle [as the Bearcat position on the ground], but we had a higher view. The rooftop was less of a threat, so Sgt. Brown informed us that we didn't have anyone watching the south side of the building, so he recommended that we find a position over there. Ofc. Lightfoot and I looked at that area and talked about it. We thought it might be difficult, so the sheriff's department was called to see if they could deploy their Bearcat so that we could deploy on the south side of the building. I was told that it would take an hour for them to arrive.

I told Ofc. Lightfoot that we needed to get over to the south side and get a better spot. We needed to find a spot with cover that provided a better angle to see inside on the south side. Ofc. Lightfoot maintained his position covering the east-side door while I gathered my gear. I requested from Sgt. Freeman if he had any wire cutters. I met with him at the front of the Asian restaurant and obtained them from him.

I went across to the south side of Folsom Boulevard, and I used the cutters to cut through a chain link fence of a tire storage yard directly across the street from Jack in the Box. This area was full of stacked tires. I notified the SWAT team via radio that I was going to be out in the open, in the suspect's view, while I did this.

Once I got into the yard and got into position, I could see clearly into Jack in the Box through the south side windows. There were a few areas of the windows that were covered with "stickers" [i.e., advertising posters] that prevented me from seeing some areas inside. I cut some area of the chain link fence to make a "window" so my rifle had a clear shot and wouldn't hit the fence. Once I did this, I checked to see what kind of view I had through the scope, and I could see all the way back into the restaurant where I could see some type of ice cream maker or smoothie maker in the kitchen area.

I know for a fact how far away I was from the south windows of Jack in the Box. I was 45 yards to the glass. I determined this with my range finder. It is an optically sighted, laser-range finder. I looked through the optics to sight the target area. There is a button that activates a laser that strikes the target area and measured the distance between my position and the face of the glass. I targeted one of the "stickers" that had a picture of fries on it. If I had to guess at the distance, I would have guessed approximately the same distance.



# SACRAMENTO POLICE DEPARTMENT

## PUBLIC HARDCOPY

### RELEASED PER PUBLIC RECORDS ACT REQUEST

GO# SA 2012-332558 CLEARED  
EXCEPTIONALLY

1315-19 245(A)(1)AWDW-NON-FIREARM

Follow Up Report # SA 1

Once I got into position, I contacted Ofc. Lightfoot by radio to join me, and he arrived right after that. The reason we have two officers assigned as snipers is because of glass. We train as snipers to shoot simultaneously so that one of the bullets weakens the structure of the glass, and the second bullet has a straight path to the target. We always try to have two shooters set up.

Ofc. Lightfoot used the cutters to have a clear view for himself, and he took a position so that we were right next to each other, about two-and-a-half, three-feet from each other, and we communicated.

In my training and experience, 45 yards is a good distance to operate effectively as a sniper. I don't think you can put a range on it that is ineffective because it has to do with conditions and what you have in your view. From my position, I could see inside the business. It was light outside with natural sunlight, clear, dry, and a chill in the air. There was no wind or breeze. I could see the ice cream maker was behind the counter inside the restaurant, so I would estimate it was about 25 to 30 yards back from the south windows.

Some of my view of the south windows on my left side had some reflections on it due to the lighting. My view directly from south to north looking straight through the building was pretty clear. I could see well behind the counter, and at one point I could see a person in that area. I thought that person was wearing a gray sweatshirt, but I couldn't see the head. I confirmed with another officer that this was actually a life-size poster on a wall, so I eliminated that as a hostage or any kind of threat. I could see to the right of the ice cream maker. Further right, on the right side of the "sticker" with the fries on it, I saw what I believe now was a hallway to the restroom. I could see this with my naked eyes and through my scope.

It's good to watch with the naked eye so you can see the entire area. When you see movement, you can look through your scope to get on the target area. It's easier to locate movement this way.

The first time I saw the suspect was at the point I heard on the radio that the suspect needed to go to the bathroom. Just after this was mentioned, I saw the suspect and the hostage come into my view. During this whole time, Ofc. Lightfoot and I were communicating with each other because we knew the hostage was in very close proximity to the suspect. Ofc. Lightfoot told me at one point that he saw the suspect was holding a gun. I knew at that point that the hostage was in imminent danger. Ofc. Lightfoot and I did not have a clear shot at the suspect because the hostage was so close. We could see the hostage and the suspect go into the bathroom, and I think the door shut. This confirmed the fact that the suspect had a gun and that the hostage was in danger.

I could see that the hostage and the suspect were standing by the door at first talking. The suspect was out of my view at first. Ofc. Lightfoot told me he could see the suspect, but in order to make the simultaneous shot, we both needed to see the suspect.

Prior to them going into the bathroom, I could see the female hostage standing near the door, talking. Ofc. Lightfoot told me he could see the suspect, but I couldn't. Every once in a while, I could see the suspect's hand come into view. The sticker on the window was blocking my view of the suspect. I couldn't remember who was in front or back,



# SACRAMENTO POLICE DEPARTMENT

## PUBLIC HARDCOPY

### RELEASED PER PUBLIC RECORDS ACT REQUEST

GO# SA 2012-332558 CLEARED  
EXCEPTIONALLY

1315-19 245(A)(1)AWDW-NON-FIREARM

Follow Up Report # SA 1

but the hostage and suspect were in-line with each other as they walked to the bathroom. They walked together into the bathroom area, single file. They were in close proximity, and not a good shot for us.

Outside of independent action, our reactive authority was that if we had a clear shot where the hostage was not harmed, we were to take that shot. In addition to that, in my mind, the suspect was going to kill the hostage and we needed to act when we had that shot.

Reactive authority comes from the incident commander, who was Lt. Watson at that time. The authority was related to us by radio from Lt. Watson. I don't recall when the reactive authority was given, but I know it was early on before I first saw the suspect.

I remember the female hostage I saw had dark hair. I think she had a sweatshirt, but I don't remember particulars. I do remember the suspect, and I relayed it over the radio. I saw the suspect had no shirt on, and he was a male Asian. From what I could see, they were two differently described people inside, not similarly appearing people. They were completely different in appearance.

I never saw the weapon carried by the suspect. Ofc. Lightfoot saw it and told me about it. Someone else on the radio reported that they saw the gun in the suspect's hand.

I saw the suspect and the hostage go into the bathroom together. They were in there a couple of minutes maybe. I could see when they exited the bathroom. I can't remember who was in front, but they came out together and walked in-line from north to south, toward our position. Ofc. Lightfoot saw this too, and we were communicating back and forth. It's extremely important that we both have a shot before we take it, because we need to take the shots simultaneously because of the glass, to make the shot work correctly.

I could see there was some discussion between the suspect and the hostage. At one point the hostage went to my right [toward the east] out of my view. I saw the suspect turn and face towards us. I could see he was a bare-skinned [i.e., bare-chested] male. He looked like a male Asian. As he faced us, Ofc. Lightfoot told me, "I have a shot." I told Ofc. Lightfoot, "I have a shot," and we both pulled the trigger.

I couldn't tell you who shot first or who shot second, but we both had very clear shots at him, and there was separation [between the suspect and hostage] so we knew there was a completely clear shot. We knew that our shots wouldn't be where the hostage was positioned. It was a pretty clear shot at him. We knew that the hostage wouldn't be harmed by our bullets. It was a completely clear shot. At the time I pulled the trigger, the cross-hairs of my rifle scope were directly on the suspect's chest. Through my scope, I could see the suspect but the sticker that was in the window was covering half of him. I knew where he was at, and I could see a full body. I put my cross hairs right on his chest.

There was nobody else in my sight picture. "Just the suspect."

The verbal cue to take the shot was "I have a shot." There are several different scenarios that come up, and we train for several different ways of taking the simultaneous shot. Ofc. Lightfoot and I decided there was not time for a countdown to a shot. If we had a shot, we just needed to make sure we had it and to pull the trigger. This is



# SACRAMENTO POLICE DEPARTMENT

## PUBLIC HARDCOPY

### RELEASED PER PUBLIC RECORDS ACT REQUEST

GO# SA 2012-332558 CLEARED  
EXCEPTIONALLY

1315-19 245(A)(1)AWDW-NON-FIREARM

Follow Up Report # SA 1

something we practice in training. [In this incident], once Ofc. Lightfoot heard me say "I have a shot," he knows that we both pull the trigger at that point. We both know that the follow up shot has to be right next to it. It sounded like one shot. I know that we both pulled the trigger at the same time, and that's how we practice it [in training.]

Ofc. Lightfoot and I have worked with each other for seven years. I train regularly with him, and in this situation, it was no different from the way we trained. We always train for this type of things that come up. Look at the history of these situations. Breaking through the glass is very important for the follow-up shot. We train for this situation, and we train to communicate between each other so no matter how we deal with a situation, we know how we are going to deal with it. That's how we train, and that's how we did it today.

When Ofc. Lightfoot and I fired our shots, I didn't see any reaction by the suspect. After I fired, I don't remember what I saw. I remember seeing the suspect chest, I fired the shot, and I immediately pulled my bolt back. At that point, I needed to make sure there was no follow-up shot because I knew the entry team was preparing to enter after the shot. The normal protocol is to make sure your weapon is safe for your entry team. After the shot, I came off my gun, opened the bolt and tilted it down, off target. I looked over my gun and saw the entry team going inside. I heard flash-bangs go off. I don't remember hearing any other shots than mine and Ofc. Lightfoot's. I heard a little bit of radio traffic.

My rifle is a bolt-action, single shot. The action has to be manually operated for each shot. When I opened the bolt, it ejects the spent casing. In cases where we don't have an entry team going in, you would normally re-rack another round into the chamber to prepare for a follow-up shot. Sometimes you end up doing that because you get used to doing it. But I knew to get my bolt back, and be off my gun.

Ofc. Lightfoot ejected his spent casing, and closed his bolt, putting a live round in the chamber. He opened the bolt again, which ejected the live round. That's why there are two spent casings and one live round on the ground where we were positioned. That's just fast-action. Sometimes motor skills just makes it happen, you just re-rack another round. Ofc. Lightfoot racked another round and then came back on-target, and later on ejected the live round.

My rifle is a Remington 700 with a 20 inch barrel. It's bolt action and fires a .308 round. The ammunition we use is .308 TAP, which has a Teflon tip. All of our .308 weapons fire the same round. I have a Leopold rifle scope. My rifle was loaded today with four rounds in the magazine and one in the chamber. That was how I was loaded when I deployed today. In my backpack I had at least one extra box of ammo that contained 20 rounds. In the butt stock of the rifle I think I had an additional 10 rounds in the zipper pouch. I also had a Sig-Sauer P239 .40 caliber pistol in my back pack. I think it holds eight or 10 rounds. It's a single-stack magazine. It should be fully loaded in the backpack with a round in the chamber. I had no other firearms with me.

[Break, and then a discussion about his rifle missing a live round. A later examination of the video recording of Ofc. Villegas' rifle being inspected by Sgt. Brown revealed that a round was chambered during the inspection. This was confirmed during an examination of the weapon at the county crime lab.]

\*\*\*END OF INTERVIEW\*\*\*

**SACRAMENTO POLICE DEPARTMENT****PUBLIC HARDCOPY****RELEASED PER PUBLIC RECORDS ACT REQUEST**GO# SA 2012-332558 CLEARED  
EXCEPTIONALLY

1315-19 245(A)(1)AWDW-NON-FIREARM

Follow Up Report # SA 1

**Narrative Text Report # 7**Document: **02 WITNESS STATEMENT**Author: **1010 - TRIMPEY, JR, LARRY 0806**Subject: **OFFICER EDGERTON INTERVIEW**Related date/time: **Dec-08-2012 (Sat.) 2057**

Witness Statement: Todd Edgerton #0826

On 12-8-12, at approximately 2057 hours, I (Det. Trimpey #0806) contacted Officer Edgerton #826 in interview room #3 at 300 Richards Blvd (SPD Central Police Station). Officer Edgerton was accompanied by Sean D. Howell, Attorney at Law. The interview was DVD/DVR recorded and a copy of the recording was later booked as evidence. The recording is available for transcription if necessary.

I explained to Officer Edgerton that I was one of the detectives assigned to investigate the incident which occurred at 8349 Folsom Blvd (Jack in the Box) earlier in the day. The following is a summary of the statement provided by Officer Edgerton.

Edgerton= Statements made by Officer Edgerton

Trimpey=Statements/questions made by Det. Trimpey

**Trimpey:** Can we start off by you telling me what call you responded to and what your actions were?

**Edgerton:** At 1252 I received a page on my work phone about a hostage situation at the Jack in the Box. The call stated an armed subject had taken hostages. I was on call to drive the Bearcat to the scene. I responded to 300 Richards, loaded my equipment, and proceeded to the CP. Once I was at the CP I met with Sgt. Brown and we loaded a bunch of breaching equipment into the Bearcat for the Hostage Rescue Team which was staged near the Jack in the Box. I pulled up near the Jack in the Box and met with Sgt. Nichols who told me to stop short of where they initially wanted me to stage. I did that and Sgt. Nichols used the Bearcat as cover to get the patrol assets out. I pulled the Bearcat to my final position.

**Trimpey:** So, basically you are saying that you received the call, drove to 300 Richards and picked up the Bearcat. Once you picked up the Bearcat you drove to the scene, loaded the Bearcat with the equipment and then stopped short of the Bearcats final position. When you are saying you stopped short, where do you mean?

**Edgerton:** I stopped just short of that back corner because they wanted to make sure we weren't exposed to that back door. Sgt. Green was high cover for the Bearcat.

**Trimpey:** Was the armored car already parked near the back door?

**Edgerton:** Yes.

**Trimpey:** Are you parked between the armored car and the door?





# SACRAMENTO POLICE DEPARTMENT

## PUBLIC HARDCOPY

### RELEASED PER PUBLIC RECORDS ACT REQUEST

GO# SA 2012-332558 CLEARED  
EXCEPTIONALLY

1315-19 245(A)(1)AWDW-NON-FIREARM

Follow Up Report # SA 1

**Edgerton:** Basically, where the final position of the Bearcat is then you should pull it back 20-30 yards and that was my position.

**Trimpey:** Was the hostage rescue team at the back of the bearcat?

**Edgerton:** Yes, they were stationed at the front door and used the Bearcat as cover.

**Trimpey:** Once you stopped and everyone else was doing what they were doing, what did you do?

**Edgerton:** Once we stopped and Sgt. Nichols indicated that he liked the position of the Bearcat I exited the Bearcat and I had my rifle. I was put on the less than lethal bean bag shotgun. I was on that for approximately 20 minutes or so then Sgt. Brown indicated our less than lethal up front would be K9 and I should transition to my rifle so I could be a part of the hostage rescue team.

**Trimpey:** OK, continue.

**Edgerton:** I was on my M-4 and I was trained on the entry/exit door. A hostage came out and they debriefed her. While I was on my rifle I was getting updates from Sgt. Brown, who was standing behind me that I was going to be part of the hostage rescue team if a sniper shot was fired. I was getting updates over the air regarding the rules of engagement from the IC that if a suspect presented himself in front of a window that we were clear to take a shot.

**Trimpey:** Is that your reactive authority?

**Edgerton:** Correct. As I was pulling up the Bearcat I was told that one of the negotiators had an open line and the suspect threatened to shoot officers if we made entry. I was also updated that he had placed a gun to the head of one of the hostages. The one hostage who came out was the only hostage who exited while I was on scene. The hostage indicated that there was only one suspect inside and one hostage. The hostage was a female with a green olive shirt. I was briefed by Sgt. Brown upon arrival that the suspect was a male Asian approximately 19 years old.

**Trimpey:** Anything else about him?

**Edgerton:** Armed with a pistol.

**Trimpey:** Any clothing description?

**Edgerton:** I was advised that he had a blue flannel shirt on.

**Trimpey:** OK continue.



# SACRAMENTO POLICE DEPARTMENT

## PUBLIC HARDCOPY

### RELEASED PER PUBLIC RECORDS ACT REQUEST

GO# SA 2012-332558 CLEARED  
EXCEPTIONALLY

1315-19 245(A)(1)AWDW-NON-FIREARM

Follow Up Report # SA 1

**Edgerton:** So, while I was on my rifle after the first hostage came out we were advised by our Lieutenant that while we were land-line with the hostage she stated she had to use the bathroom and might make a break for the front door while she used the bathroom. At that point I observed her coming from the back behind the service counter. I knew where the bathroom was because I had been shown the layout by Sgt. Brown and Sgt. Nichols. I knew from my vantage point that the hallway led to the bathroom. I told the officers behind me to put it out over the air so I could stay on my rifle. As I saw her appear at the hallway which led to the bathroom I saw a male Asian holding a pistol with his right hand. The male Asian was following the female hostage. I saw the female hostage walk down the hallway towards the bathroom. The male Asian paused for a second and I had his side profile in my view, the male Asian was raising the pistol, not at her, but he was kind of motioning her around with the pistol. I didn't feel comfortable taking the shot because I had my 223 rifle and I know that round has the tendency to tumble and break apart when it hits glass or an intermediate barrier. I didn't feel comfortable taking the shot even though I had a clear shot I thought there was the potential of hitting the hostage. The male Asian then disappeared down the hallway where the bathroom is.

At the point the suspect and hostage disappeared down the hallway towards the bathroom, I noticed Sgt. Brown (later corrected by Ofc. Edgerton to be Sgt. Green on the AR-10) had been on the AR-10, a 308 caliber rifle, which has a two power magnified scope. Due to the reflection from the glass he said that he couldn't use the rifle. I confirmed that he wasn't using it and took it over. I put the bi-pod across the hood of the Bearcat and I was on my tip-toes. I asked for the step stool which we have for that precise reason. Once I was standing on the step stool I could see through the glass better because of the magnification and I continued to cover the hallway. I had a good view of the hallway where the suspect and hostage went. The suspect and hostage were in the hallway, out of view, for a couple of minutes. After a couple of minutes the suspect and the hostage reappeared in the hallway. First, I saw the suspect step out and then I saw her step out. At first the hostage was partially obstructed by the wall. I saw the suspect had a pistol at his side. The suspect appeared to be motioning her back to the portion of the restaurant where they came from. At that point, when it didn't appear he was going to surrender and he was going to force her to the back portion of the restaurant, back away from the doors, I had a clear view of his upper torso and due to the previous information that she was going to make a run for it I felt that she was in danger of being shot at and he would kill her. So, I made the decision to fire upon him and as I started depressing the trigger I still had full view of him. The hostage was standing to the suspect's right and I felt that I had a clean shot at the suspect. Just prior to feeling my shot break as I was depressing the trigger I heard two shots go off from my left from where the snipers were positioned.

Once my shot broke I followed him down to the ground and he disappeared to my left. I don't think I fired again. I watched the hostage out of the right side of my field of vision and I was concerned that he would try and get her as she ran out. The suspect was out of my view I didn't have a shot. I could clearly see the hostage and she was laying there against the wall and she did not appear to be injured. I left the AR-10 in place and I grabbed my M-4 and followed Officer Griffin around to enter with the hostage rescue team. The hostage rescue team entered in front of us and we followed to assist. Once I entered Officer Rosin was already removing the hostage. I observed Sgt. Nichols and Officer Walters were handcuffing the suspect and attempting to get the gun away from him.

**SACRAMENTO POLICE DEPARTMENT****PUBLIC HARDCOPY****RELEASED PER PUBLIC RECORDS ACT REQUEST****GO# SA 2012-332558 CLEARED  
EXCEPTIONALLY****1315-19 245(A)(1)AWDW-NON-FIREARM**

Follow Up Report # SA 1

I am also an EMT so I retrieved some surgical gloves from my pocket, put them on, and once I saw the gun was secure I saw that Sgt. Nichols and Officer Walters had blood on their hands and their persons so I tapped Sgt. Nichols out and told him that I could take over so they could get the blood off their persons. I observed the suspect was handcuffed. Once I took over I continued to search the suspect and make sure that he did not have any more weapons on his person. Once I searched the suspect and found no additional weapons I began to make an assessment of his person and began looking for injuries.

**Trimpey:** What was your assessment?

**Edgerton:** The suspect had a gunshot wound to the lower back, right below his spine, dead center; I couldn't tell if it was an entrance or exit. The suspect had a wound on his shoulder, I couldn't tell if it was an entrance or exit and I believe it was his left shoulder. There was a lot of blood so I checked his lower body. The suspect was labored breathing but he was breathing so I put him in the position of recovery and continued my assessment. Sgt. Brown requested fire and medics. In addition to his shoulder wound he had a wound to chest which was right over his peck. I asked the fire department if they wanted a chest seal over the wound and the fire department said they did so I placed a chest seal over the wound and turned the treatment over to them.

**Trimpey:** Was the fire department staging?

**Edgerton:** Yes they were.

**Trimpey:** So the response was relatively fast.

**Edgerton:** Yeah once the rest of the building was clear the fire department came in.

**Trimpey:** Did you stay with the suspect while other officers cleared the building?

**Edgerton:** Yes I did.

**Trimpey:** Did the suspect say anything?

**Edgerton:** No, I asked him if he was OK and he just had some labored breathing.

**Trimpey:** OK, I am going to take you back a little bit. When you say that you took the position with the AR-10 from Sgt. Brown you are meaning you took the position you showed me where you are standing on the step stool with the Ar-10 over the hood of the Bearcat?

**Edgerton:** Correct.

**Trimpey:** You saw the victim or hostage and the suspect come back into your view from the area, based upon what you saw of the layout, you know to be the bathroom?



# SACRAMENTO POLICE DEPARTMENT

## PUBLIC HARDCOPY

### RELEASED PER PUBLIC RECORDS ACT REQUEST

GO# SA 2012-332558 CLEARED  
EXCEPTIONALLY

1315-19 245(A)(1)AWDW-NON-FIREARM

Follow Up Report # SA 1

**Edgerton:** Correct.

**Trimpey:** You saw enough space there that you had a clean shot?

**Edgerton:** Correct.

**Trimpey:** Was it your reactive authority that if you had a clean shot and the hostage was still in some type of imminent danger to take the shot or what was your reactive authority?

**Edgerton:** My reactive authority was that if I had a clean shot and the fact that he continually held a gun to the hostages head that she was under constant threat of death or great bodily injury and even if we saw him armed we were free to take the shot.

**Trimpey:** So, when you him motioning to her to go back into a place where you could not see them how did you feel at that time?

**Edgerton:** I felt that we had gotten some indication that he might give himself up so when I saw that he was trying to herd her back into the restaurant he had no indication that he was going to give up and he was going to force her back into the restaurant and possibly injure, shoot or kill the hostage. Also, tactically that was a small window that we had to take him down and if he forced her back into the restaurant from our indications he had been with her in a very confined space and if we had to go in and do a hostage rescue it would be advantageous for him to be able to shoot down a hallway and shoot any number of us.

**Trimpey:** So not only could the suspect have harmed her but he could have harmed the officers who would have tried to rescue her?

**Edgerton:** Correct, and he had already indicated that he was going to shoot us if we entered the business.

**Trimpey:** So that was communicated to you?

**Edgerton:** Yes that was communicated over the air. The suspect was really close to her and he had the pistol with him the whole time.

**Trimpey:** How would you describe the pistol?

**Edgerton:** It was a large revolver.

**Trimpey:** Do you remember what color it was?

**Edgerton:** It was dark colored I believe. It wasn't chrome so I think it was more blued.



**SACRAMENTO POLICE DEPARTMENT**

**PUBLIC HARDCOPY**

**RELEASED PER PUBLIC RECORDS ACT REQUEST**

**GO# SA 2012-332558 CLEARED  
EXCEPTIONALLY**

**1315-19 245(A)(1)AWDW-NON-FIREARM**

**Follow Up Report # SA 1**

**Trimpey:** At 1252 you receive a page which is how your team responds to a scene. Everyone who receives the page has an assignment. The assignment for you was to go to 300 Richards and pick up the Bearcat.

**Edgerton:** Correct

**Trimpey:** And drive the Bearcat to the scene?

**Edgerton:** Correct.

**Trimpey:** You drove the Bearcat to the scene and you end up with Sgt. Brown.

**Edgerton:** Correct.

**Trimpey:** When you met up with Sgt. Brown you loaded some gear for rescuing hostages into the Bearcat?

**Edgerton:** Yes.

**Trimpey:** You drove the Bearcat towards the scene of the Jack in the Box.

**Edgerton:** That's correct.

**Trimpey:** Once you arrived at the scene of the Jack in the Box you stopped short of the door so some equipment could be unloaded?

**Edgerton:** Yes.

**Trimpey:** After that you were directed to park the Bearcat in front of the east door. And then you took a position with your rifle?

**Edgerton:** First it was with the bean bag rifle and that lasted for approximately twenty minutes.

**Trimpey:** Then your assignment changed and you changed to the rifle?

**Edgerton:** Correct.

**Trimpey:** How long would you say you were standing there with the rifle?

**Edgerton:** I was standing with the rifle for a half hour to 45 minutes. I didn't have the AR-10 for very long. Once I saw the suspect in the hallway I realized the AR-10 was the appropriate weapon.

**Trimpey:** From the time you got the page to the time you arrived on scene how long does that take, sixty to ninety minutes?



# SACRAMENTO POLICE DEPARTMENT

## PUBLIC HARDCOPY

### RELEASED PER PUBLIC RECORDS ACT REQUEST

GO# SA 2012-332558 CLEARED  
EXCEPTIONALLY

1315-19 245(A)(1)AWDW-NON-FIREARM

Follow Up Report # SA 1

**Edgerton:** From the time I got on the freeway to the time I arrived at Richards I made pretty good time. It was about 1336 because I remember looking at the clock. I was out in front of the Jack in the Box in approximately 50 to 60 minutes. I was in position in less than one hour from getting the page.

**Trimpey:** So that is in position, not loading gear or getting into position, that is 50-60 minutes to being in position in front of the Jack in the Box.

**Edgerton:** Correct.

**Trimpey:** So would you say you were on the bean bag from 1400 to 1420 hours, approximately?

**Edgerton:** Yes.

**Trimpey:** While you are on the rifle you are getting updates through the radio and you are also getting updates from Sgt. Brown who is standing behind you?

**Edgerton:** Yes.

**Trimpey:** Where are the updates coming from that say the suspect inside wants to shoot it out with officers? Is this being relayed through an open line and dispatch?

**Edgerton:** I remember when we were loading up the bearcat he had said through an open line that he would shoot officers if they came into the Jack in the Box. I was also advised that the suspect had placed a gun to the hostages head but I don't remember if that was from dispatch or Sgt. Brown.

**Trimpey:** When the one hostage did come out did she come out the east door or the back door?

**Edgerton:** East door.

**Trimpey:** Once the hostage was debriefed do you remember what information was gained from that debrief?

**Edgerton:** When she came out there was a language barrier. Due to the language barrier she initially stated that there were two suspects inside and five hostages. The officers took her to the command post and through the language line they were able to get a better debrief from her. The hostage stated that there was only one suspect with a handgun and only one hostage.

**Trimpey:** Did she say the hostage was an employee or a customer?

**Edgerton:** Employee.



**SACRAMENTO POLICE DEPARTMENT**

**PUBLIC HARDCOPY**

**RELEASED PER PUBLIC RECORDS ACT REQUEST**

**GO# SA 2012-332558 CLEARED  
EXCEPTIONALLY**

**1315-19 245(A)(1)AWDW-NON-FIREARM**

**Follow Up Report # SA 1**

**Trimpey:** Did you take the position with your rifle after the hostage came out or was there some other reason to change from the bean bag shotgun to your rifle?

**Edgerton:** I believe Sgt. Brown made that decision because we had information that the suspect was in two separate locations in the store where the suspect could be. Based upon that fact you would need two hostage rescue teams ready and I would have to transition from the bean bag shotgun to my rifle. Therefore, Sgt. Brown decided to use K9 as our less than lethal option.

**Trimpey:** Is that before or after the hostage comes out?

**Edgerton:** I believe that was before the hostage came out.

**Trimpey:** How long after the hostage came out did you get the information that the remaining hostage was going to try and make a run for it when she went to the bathroom?

**Edgerton:** I don't recall I would have to say approximately twenty minutes to a half hour.

**Trimpey:** When you first see the hostage and suspect at the door and he is directing her with the gun you still had your rifle on him?

**Edgerton:** Correct.

**Trimpey:** You said that you felt if you shot the 223 round that when it went through the glass it could cause it to tumble and risk hitting the hostage so you didn't feel comfortable taking that shot.

**Edgerton:** Correct. I basically had his side profile and he was basically ushering her into that side hallway and the hostage was still right in front of him and those rounds tend to break up or tumble and I thought it could possibly break up and she could possibly get hit with a fragment.

**Trimpey:** How close to the door were they?

**Edgerton:** Maybe 10-12 feet I would say.

**Trimpey:** How big is that hallway?

**Edgerton:** How long is it? You know what I didn't even see how long it was to be honest with you.

**Trimpey:** Where did you see them coming from?

**Edgerton:** That hallway starts and there is also another wall that separates the hallway from where the kitchen counter area is. Then they moved out of my view.



**SACRAMENTO POLICE DEPARTMENT**

**PUBLIC HARDCOPY**

**RELEASED PER PUBLIC RECORDS ACT REQUEST**

**GO# SA 2012-332558 CLEARED  
EXCEPTIONALLY**

**1315-19 245(A)(1)AWDW-NON-FIREARM**

**Follow Up Report # SA 1**

**Trimpey:** Once they moved from your view you went to the AR-10?

**Edgerton:** Yes, I had seen Sgt. Green move away from the AR-10 and I confirmed that he wasn't using it so I moved to it.

**Trimpey:** You went to the AR-10 because you felt more comfortable with that weapon due to the possible fragmenting of the 223 round upon impact with glass?

**Edgerton:** Correct. The AR-10 is a 308 round which is a heavier round, basically a sniper round, made for moving through barriers like glass. I felt it presented less risk to the hostage if I took the shot with the AR-10.

**Trimpey:** Is it roughly 10 minutes after you take the position with this AR-10 that the hostage and suspect reappear?

**Edgerton:** No it's probably less than five minutes.

**Trimpey:** When they come back into your view there is a distance between the suspect and the hostage?

**Edgerton:** Correct.

**Trimpey:** How much distance is there between the hostage and the suspect?

**Edgerton:** Approximately 1-2 feet. When they came out she was closer to the hallway and I felt that she was going to make a break for the door and I felt that put her in additional danger because he was standing right there with the pistol. I felt that I had a clear shot.

**Trimpey:** You felt that if the suspect was able to get her back into a place of concealment that number one it would be a danger to her life as well as a danger to officers who tried to come in and rescue her?

**Edgerton:** Correct. He had an opportunity to give himself up because he saw us out there and he tried to usher her back into the restaurant. He already had a gun to her head and I felt that he was going to bring her back into the restaurant to kill her or kill us if we needed to go in there and rescue her.

**Trimpey:** Just as you were depressing your trigger you heard two other shots?

**Edgerton:** Correct.

**Trimpey:** Basically, the glass breaks, the guy goes down and everyone assembles to make entry.

**Edgerton:** Once I fired I saw the suspect dropped and the hostage was back against the wall with her hands up. I saw that the suspect fell out of my view so I knew there was nothing that I could do from there so I followed





# SACRAMENTO POLICE DEPARTMENT

## PUBLIC HARDCOPY

### RELEASED PER PUBLIC RECORDS ACT REQUEST

GO# SA 2012-332558 CLEARED  
EXCEPTIONALLY

1315-19 245(A)(1)AWDW-NON-FIREARM

Follow Up Report # SA 1

Griffin around the Bearcat to form up with the hostage rescue team. I lost sight of the hostage. At the time I made entry I saw the hostage was being taken out by Officer Rosin.

**Trimpey:** When you went in you saw Sgt. Nichols and who else was handcuffing the suspect?

**Edgerton:** Officer Walters.

**Trimpey:** They removed the firearm from him and you put surgical gloves on and rendered aid?

**Edgerton:** Correct.

Break at 2128 hours.

Resume at 2136 hours.

**Trimpey:** Just a couple of quick questions. I am going to show you a Google map of the Jack in the Box. I want you to draw where you parked the Bearcat.

At this point Officer Edgerton draws on a overhead Google map of 8349 Folsom Blvd the location he parked the Bearcat upon arrival. Officer Edgerton indicated he parked the Bearcat in the parking lot to the east of Jack in the Box in front of the east entry/exit door to Jack in the Box. The map was later booked as evidence.

**Trimpey:** Was the incident being communicated on one channel?

**Edgerton:** We operated strictly on channel 1. There was no tactical channel. Sgt. Brown communicated to the other officers on the Bearcat which meant Ofc. Griffin, Sgt. Green, Ofc. Rosin and me.

**Trimpey:** From your vantage point is it all glass or was your view obstructed?

**Edgerton:** My field of view was through the entry door which is all glass. The glass has stickers but they were not large enough stickers to obstruct my view of a person.

**Trimpey:** When you were rendering aid and put the suspect into the recovery position, what do you mean by recovery position?

**Edgerton:** The suspect was already on his side so I kept him in a position where gravity would naturally keep his airway open and the position is similar to sleeping on your side.

**Trimpey:** Once you started rendering aid did you continuously render aid?

**Edgerton:** Yes. I am basically conducting an assessment the whole time looking for injuries and continuously assessing if there are additional injuries which I need to treat prior to the medics arriving on scene.



# SACRAMENTO POLICE DEPARTMENT

## PUBLIC HARDCOPY

### RELEASED PER PUBLIC RECORDS ACT REQUEST

GO# SA 2012-332558 CLEARED  
EXCEPTIONALLY

1315-19 245(A)(1)AWDW-NON-FIREARM

Follow Up Report # SA 1

**Trimpey:** Is the EMT training additional training that you have received or is this something that all police officers go through?

**Edgerton:** No, I am an accredited EMT through the National Registry and I am also a tactical medic. As a matter of fact I spent the past two days teaching a tactical medicine class.

**Trimpey:** This situation lasted over an hour, correct?

**Edgerton:** Yes.

**Trimpey:** Can you characterize how many times you heard the suspect actions inside were threatening toward human life.

**Edgerton:** I heard a couple times that he had a gun to the hostages head. I also heard that he had put a gun into someone's mouth and maybe dry firing. I don't know what that means by dry firing.

**Trimpey:** These transmissions are over a period of time and throughout the whole hostage situation you received updates that the suspect was dangerous?

**Edgerton:** Yes, I received continuous updates that he had a gun to the hostages head and was making threats.

End of interview at 2146 hours.



**SACRAMENTO POLICE DEPARTMENT**

**PUBLIC HARDCOPY**

**RELEASED PER PUBLIC RECORDS ACT REQUEST**

**GO# SA 2012-332558 CLEARED  
EXCEPTIONALLY**

**1315-19 245(A)(1)AWDW-NON-FIREARM**

**Follow Up Report # SA 1**



# SACRAMENTO POLICE DEPARTMENT

## PUBLIC HARDCOPY

RELEASED PER PUBLIC RECORDS ACT REQUEST

GO# SA 2012-332558 CLEARED  
EXCEPTIONALLY

1315-19 245(A)(1)AWDW-NON-FIREARM

Follow Up Report # SA 1

### Related Attachment(s) - SUPPLEMENTS

Attachment Description: MAP SHOWN TO OFC EDGERTON

Reference Number:



\* SHOWN TO OFC. EDGERTON  
DURING INTERVIEW  
LI # 806



# SACRAMENTO POLICE DEPARTMENT

## PUBLIC HARDCOPY

RELEASED PER PUBLIC RECORDS ACT REQUEST

GO# SA 2012-332558 CLEARED  
EXCEPTIONALLY

1315-19 245(A)(1)AWDW-NON-FIREARM

Follow Up Report # SA 1

### Narrative Text Report # 8

Document: **02 WITNESS STATEMENT**

Author: **130 - BURKE, DANIEL 0474** (██████████)

Subject: **INTERVIEW OF OFC. K. GRIFFIN**

Related date/time: **Dec-08-2012 (Sat.) 2146**

On 12/8/12, at 2146 hrs, I interviewed Ofc. K. Griffin at the SPD building located at 300 Richards Blvd. Attorney Sean Howell was also present during the interview. The interview was recorded on DVD, and a copy is available. Note that the timestamp was incorrect, and was ahead of the true time by approximately 62 minutes. The following is a summarized transcription of the interview:

*DB = Dan Burke, SPD Detective*

*KG = Officer Kevin Griffin, SPD SWAT Officer*

DB: I'm Dan Burke, you're Sean Howell, and Officer Griffin with the SWAT Team is present as well. I'm going to be assisting in the investigation of this incident that happened at the Jack in the Box out there on Folsom Boulevard. I've got 2146 for a time. So, we'll kind of get into this. I'll let you explain your actions, what happened, what you saw, what you did, those kind of things.

KG: Ok.

DB: Then if I've got any follow-up questions, we'll get into those. How long have you been a police officer?

KG: 21 years.

DB: How many years in SWAT?

KG: 11.

DB: What's your badge number and ABRA?

KG: Badge 406, ABRA 364.

DB: So, you received a call-out today?

KG: Yes.

DB: Tell me about that. Did you get a page or a phone call?

KG: It's on my phone, but it's a text message on the phone.

DB: So you get a text message to call you out to an incident? What was the details that you received?

KG: Yes. Today the callout said that there was a 211, takeover robbery at the Jack in the Box on Folsom Boulevard, and also that there were hostages inside.

DB: You respond to the scene, or do you respond somewhere else?

KG: I responded to the scene.



# SACRAMENTO POLICE DEPARTMENT

## PUBLIC HARDCOPY

### RELEASED PER PUBLIC RECORDS ACT REQUEST

GO# SA 2012-332558 CLEARED  
EXCEPTIONALLY

1315-19 245(A)(1)AWDW-NON-FIREARM

Follow Up Report # SA 1

DB: To the scene, ok. Any idea on your arrival time, about how long it would have taken you?

KG: The callout came right before 1:00, and I was about the fifth SWAT officer on scene. I know that everyone was coming as fast as they could, because it was an unusual callout - it being a hostage situation. They just don't come along very often. So I would say about 20-25 minutes after the callout, which was right before 1:00 I think.

DB: Have you had a hostage at a business situation, a call like that, since you've been in SWAT?

KG: No.

DB: So you arrive on scene, what goes on from your arrival? What do you do at that point?

KG: When I first arrived, I don't think I pulled up to the IC's proper place that was broadcast. As I'm driving in, I don't look at my phone. I knew where the Jack in the Box was, and so I drove down the street. I saw the police tape up already, and so I just moved. I could see the Jack in the Box, and I positioned my vehicle on the opposite side of a buffet restaurant that was adjacent to the Jack in the Box.

DB: Okay. Is that to the east, or?.

KG: It is.

DB: To the east of the Jack in the Box. Okay. Alright, and then from there what takes place?

KG: At this point, the officers that were on patrol who first responded were being replaced by the SWAT team.

So, I could see that they formed up on the east side of Jack in the Box. Information was coming over the air that the suspect was questioning the hostages about a roof access. At this point, we didn't have a helicopter unit on scene. The restaurant that I was behind, I could see, was a little higher than the Jack in the Box. I advised Officer Walters, who had taken initial control over the arrest team, that I was willing to take a look at the roof to see if I could get a vantage point from there.

DB: Did you end up doing that?

KG: I did.

DB: Okay, so you get up on the roof of the - this is the neighboring business, this sushi place or?

KG: It's a buffet - a seafood buffet.

DB: This buffet. Ok, so you're on the business to the east, which is a buffet. I actually have a couple of maps here. One is a little closer in, and this shot here is a little further away. So this one here, is this the business you're indicating?

KG: That's the buffet restaurant.

(At this point, Det Burke shows Ofc Griffin two aerial photos depicting the scene, including the building that contains the Jack in the Box and the building to the east which contains the other restaurant.)

DB: So you get on to the roof there?

KG: Yes. I'm right here in this corner (indicating northwest corner). There's the roof hatch. You can't see it. I don't think you can even see it in this one. Maybe that bright silver thing looks like it could be the roof hatch.



# SACRAMENTO POLICE DEPARTMENT

## PUBLIC HARDCOPY

### RELEASED PER PUBLIC RECORDS ACT REQUEST

GO# SA 2012-332558 CLEARED  
EXCEPTIONALLY

1315-19 245(A)(1)AWDW-NON-FIREARM

Follow Up Report # SA 1

Kind of a little square. So I'm there, and the door is approximately here on the Jack in the Box, that we can see in. This is all wall, and this is all windows.

DB: Okay, so walls to the north, and windows to the south side of that. And you're indicating kind of the north, northwest quadrant of the roof of the neighboring buffet?

KG: Yes

DB: Okay. Were you on that roof pretty quickly from the time you arrived then?

KG: Yeah, within five minutes I'd say.

DB: Okay. And then how long did you maintain that position there?

KG: I maintained the position until they sent Officer Villegas arrived on scene. He's one of our snipers. He came up and I showed him the position I had. It wasn't, it didn't give you a great vantage point. It was higher, and I could see approximately half of this side of the roof, but up here the walls were too high to see anything. So, I could see about from here over towards the west side from my vantage point.

DB: So almost cut in half maybe from north to south, or not quite?

KG: This, I could see this area here, and all the way to about here where these were tall. This was very tall walls. So I could see this area. I couldn't see if he was hunched down below, because there's walls here too, but they were much shorter.

DB: So you could see the northwest quadrant of that roof of Jack in the Box. He could have gained some concealment from if he was on the east side of it though. And to the south, you wouldn't have been able to see any of it.

KG: That's correct.

DB: Did you ever see a suspect or any individual go onto that roof of the Jack in the Box.

KG: No.

DB: Alright, so you were up there pretty quick, within maybe five minutes of arriving. Officer Villegas, does he take over for you in that position?

KG: Yes. He takes over.

DB: How long did you maintain that position there again?

KG: He was probably there maybe 15 minutes later after I was. You know, that's just an estimate.

DB: You saw no one go on the roof. Were you able to see anything, either into the restaurant - the Jack in the Box, or anything maybe outside of the Jack in the Box that gave you any concern, or anything you noticed about that?

KG: Not at this time. With the glare on the windows, you could see maybe 10 feet in. It's kind of tinted windows on the east side there, and everything else was quiet. There was nothing I could see or hear.



# SACRAMENTO POLICE DEPARTMENT

## PUBLIC HARDCOPY

### RELEASED PER PUBLIC RECORDS ACT REQUEST

GO# SA 2012-332558 CLEARED  
EXCEPTIONALLY

1315-19 245(A)(1)AWDW-NON-FIREARM

Follow Up Report # SA 1

DB: Okay, at the point Officer Villegas takes over for you in that position there, what did you do?

KG: I went back down and at this point the Peacekeeper was positioning itself here and the arrest team and the Bearcat was positioning itself to the east side of the building.

DB: Peacekeeper to the north and the Bearcat's on the east side of the building?

KG: Yes, that's correct. I saw that there were a lot of people - the whole arrest team was over here. I could see several people, and I could only see one person over here to the Peacekeeper, and there was a lot of radio traffic. So, at this point it was pretty blind movement, so I just ran across to where the Peacekeeper was, with the idea that I was going to see if we could access this roof to see - so we could see deeper in. At this time, the helicopter's getting overhead, and they basically say that they don't see anything up there.

DB: So you basically ran - made a running path toward the Peacekeeper, the location of the Peacekeeper.

KG: Yes.

DB: The helicopter arrived on scene?

KG: Yeah, shortly after I arrived there.

DB: Okay, what was your next action at that point?

KG: There were, let's see, three officers in that Peacekeeper, and one of them pointed out - we saw that door there. Basically in the center of the 3 side, just directly in front of the Peacekeeper, and there was a peephole in it. One of them said, "He could see us, because there's a peephole". So, I said we need to cover that peephole up, and I said we need some tape. We scrounged around in the Peacekeeper and found these SPD emblems that can be like a tattoo for a kid, and Officer Robbie Young said these would stick. So he stuck it on the side of the Peacekeeper to prove it, and I said ok well let's go ahead and get approval to go ahead and block his view of us. Because I was concerned about if there was a surveillance system on the outside of the restaurant. Nothing I could see, but just a concern because he's inside and has access to that sort of stuff. So, we got approval to move, and we just placed that little tattoo over the peephole and retreated back to the Peacekeeper.

DB: Who did that action there?

KG: It was, I was the cover officer with my long gun, and Officer Young placed the little tattoo.

DB: And it stuck to the peephole there?

KG: It did.

DB: You retreat back to the Peacekeeper after that?

KG: Yes.

DB: During this time, are you hearing any radio traffic of any concern to you?

KG: Yeah, although I don't know the exact time when different snippets of information are coming out. But continually, we are being fed with information regarding suspects being, or victims being inside there with the suspect, and open line information, and we're also trying to get our rules of engagement established for what we're authorized to do.





# SACRAMENTO POLICE DEPARTMENT

## PUBLIC HARDCOPY

### RELEASED PER PUBLIC RECORDS ACT REQUEST

GO# SA 2012-332558 CLEARED  
EXCEPTIONALLY

1315-19 245(A)(1)AWDW-NON-FIREARM

Follow Up Report # SA 1

DB: Do you have a, was there a reactive authority given out when say, when you were back here at that point at the Peacekeeper?

KG: I believe that's - I was over there when they started giving some of the reactive authority.

DB: What was the reactive authority that you received?

KG: One was if the suspect, there were several different events, one was if the suspect was observed with the hostage and we had a clear shot, we had the authority to shoot him. Another was if the suspect came out, and I'm not sure if these all came out at the same time but these are the cumulative ones, that if he came out we were not going to allow him to get back in. And that if he ran with a gun, general orders. If he ran without a gun, it was going to be overwhelming less lethal using our K9's and our less-lethal munitions.

DB: Ok. You're back here at the Peacekeeper after retreating from the tattoo over the peephole there to the rear, and you said the "3" side - that being the north side of the building?

KG: Yes.

DB: Ok. What's your next action after that tattoo was placed over the peephole there?

KG: Sergeant Nichols advised? before that, I talked to Officer Chandler, who was in charge of the Peacekeeper, and I asked him if we had checked out the availability of access to the roof, and he said we hadn't. He said just go ahead and check to see if we can gain access, or what kind of access we can have. I made contact with an officer, I don't know his name, who was on the back side of the restaurant that was on this corner, the east corner of that little strip. He told me that he'd contacted the employees inside, and they advised that the only access to the roof was through a locked SMUD door on the back side. There were probably 20 doors on the back of that building, strip mall, and not one of them said "SMUD" in it. So I kind of figured if we were going to get up there, we would use either a ladder or just rely upon the helicopter to get us information. And the helicopter at this point tells us they cannot see a roof hatch, and I notice that there was a ladder on the back side and so I suspected there may not even be a roof hatch, since there's a ladder on the back side. They wouldn't need that if they had an interior access. Sometimes it could be redundant, but I wouldn't think so. At that point, I returned to the Peacekeeper and was advised by Sergeant Nichols, who was on the Bearcat, that he wanted me to come over and replace Officer Lightfoot who was also on the Bearcat. So, I ran over there and Officer Lightfoot is one of our snipers. I assumed I was relieving him so he could do his sniper work, and I took a position on the front side of the Bearcat, which gave me a view of the east side door of the Jack in the Box.

DB: Ok, so you take a position at the front of that Bearcat. The Bearcat, can you kind of indicate on there where the Bearcat is positioned?

KG: As best I can. If this is lined up with the door, which it looks like it is, it was placed like this. (Ofc Griffin indicated on the aerial map where he estimated the Bearcat to be positioned). With the turret facing the, directly in line with the front door, and I was there with Officer Edgerton who initially had a less-lethal shotgun. I was basically covering, his lethal cover, for that position.

DB: Ok. What weapon did you have when you were at the front of the Bearcat there?

KG: I had my M4.



# SACRAMENTO POLICE DEPARTMENT

## PUBLIC HARDCOPY

### RELEASED PER PUBLIC RECORDS ACT REQUEST

GO# SA 2012-332558 CLEARED  
EXCEPTIONALLY

1315-19 245(A)(1)AWDW-NON-FIREARM

Follow Up Report # SA 1

DB: M4, ok. So you take up this position, Officer Edgerton is there as well at the Bearcat?

KG: That's correct.

DB: Who else was with the Bearcat there?

KG: Officer Kirtlan was there, Sergeant Nichols was there, Officer Walters was there, Officer Rosin was there, eventually Sergeant Brown arrived, eventually Officer Blessing arrived, and Sergeant Green was in the turret. I believe that's everybody.

DB: So, you take up a position there. Are you seeing anything inside the restaurant when you get there?

KG: I have a little bit of an angle in. We have some glare on the window and a couple stickers on the windows, so you can't see in real well. And with my angle, I can't see deep. But due to the color scheme, I can see what looks to be a hallway about eight feet inside the door that goes northbound towards the three side. I discuss it with Officer Edgerton, I tell him I think that's a little hallway, and he basically agrees. At this point, Officer Rosin showed me what they had as a sketch. Someone had drawn a sketch, and it looked like it appeared that hallway went to the bathrooms.

DB: Ok, so you were actually able to see a sketch. Someone just made that sketch for you guys?

KG: It was a sketch that was drawn by somebody back at the command post - I'm just assuming that's how it worked, because Sgt Brown had a picture of it on his smart phone, and Officer Rosin redrew the sketch so he could pass it around - so we could all look at it.

DB: This is the kind of a sketch with what the interior should look like?

KG: A floor plan.

DB: Ok, what are you hearing on the radio or from other officers or sergeants who are out there at the time you are up there at the Bearcat?

KG: We're hearing information, it continues sporadically throughout that he's threatening to shoot, the suspect, and that there's some cell phone or some phone that's open and they're overhearing some of the conversation between the suspect and the hostage, and the hostage is saying something like, "I'm not going to do anything with a gun pointed to my head", that sort of stuff. So we knew it was extremely serious at this point.

DB: Ok. So that's an open phone line into the business from what you know?

KG: That's what it sounded like. I don't know the details on that. It didn't sound like it was, it just, we had not set up any listening devices or anything that could pick it up, so it was either a cell phone or the phone, open line into the business that was being picked up. And someone was hearing some pretty good information as far as the severity of the threat to the people inside.

DB: Ok, and the suspect was also threatening to shoot as well?

KG: Yeah. He was threatening to shoot her.

DB: Ok. It sounded like that, as well, came from that same open line?



# SACRAMENTO POLICE DEPARTMENT

## PUBLIC HARDCOPY

### RELEASED PER PUBLIC RECORDS ACT REQUEST

GO# SA 2012-332558 CLEARED  
EXCEPTIONALLY

1315-19 245(A)(1)AWDW-NON-FIREARM

Follow Up Report # SA 1

KG: I think so. Obviously, there's a lot of things that the HNT and the people at the command post hear that we never hear, and they just pass on what's important, because there's a whole lot of radio traffic on something like this anyway. So, but that's what it sounds like to me.

DB: So you're getting information from over the radio. Are you getting it from anywhere else? Is there anyone that has any other kind of communication that's not going out over the radio that you're able to obtain any intel?

KG: Yeah. The sergeants use their cell phones once in awhile to get information from the SWAT Commander, Lieutenant Watson. So they're getting updates, and it's all basically similar stuff that there's two hostages inside and there's one suspect, and we had a description of the suspect was a male Asian around 19 years old, wearing some plaid shirt. That's what I remember it being initially, with a gun.

DB: Did you get any description of any hostage?

KG: Yeah. I think after the first hostage came out, we had a description of the second as a female wearing an olive-green shirt.

DB: So there was - two hostages inside. One of them came out. Where were you when that hostage came out?

KG: I was in the same place, at the front side of the Bearcat.

DB: Ok. How long had you been there, approximately, when that happened?

KG: An hour, maybe, 45 minutes.

DB: So you were positioned there for quite some time.

KG: Yeah.

DB: Where does that first hostage come from? Where do they come out?

KG: Comes out the side doors. These doors. Officer Edgerton could see a little deeper into the restaurant based on his angle. He was the first one who spotted this, said there's movement, and then we saw the employee walk out kind of slow, and kind of appeared disoriented, confused, and scared.

DB: Ok. Came out that side door that you guys were in front of?

KG: That same east door, yes. And so she's just standing there, and I yell. We have, I don't know if our sergeant, who is voice command, actually knew that she stepped out. So I yelled at her to run. I assumed, she looked scared and confused. She was kind of standing there like a deer in the headlights. So the people at the rear of the Bearcat, where the contact team was, they eventually got her there. She just walked out to them. At this point, we understand there's a language barrier.

DB: Ok, with that hostage?

KG: With that hostage.

DB: Ok. So she comes to the rear of the Bearcat?

KG: That's correct.



# SACRAMENTO POLICE DEPARTMENT

## PUBLIC HARDCOPY

### RELEASED PER PUBLIC RECORDS ACT REQUEST

GO# SA 2012-332558 CLEARED  
EXCEPTIONALLY

1315-19 245(A)(1)AWDW-NON-FIREARM

Follow Up Report # SA 1

DB: Ok. And do you know what happens with her from there? Did she stay there?

KG: Yeah. She stayed there for five or 10 minutes while we were trying to get more information about who was inside. Initially she said there were two suspects and five hostages, and I could tell they were having difficulty with the language barrier. They were trying to use the lady's daughter on the cell phone as a translator, and it didn't seem to go real well. Eventually, I think the incident commander or the SWAT commander made a decision - let's just get her back where we can have a translator work with the hostage negotiators and really get her statement as to what was going on inside.

DB: Ok. Did you see the suspect? When she came out, was the suspect in there that you were able to see?

KG: I was not able to see from my vantage point, and I was watching that. I didn't, never saw him. I was expecting him to come out. It wasn't as though she was darting to safety. It was just kind of surreal.

DB: Just kind of walked out then?

KG: Yeah. Just kind of walked out.

DB: Ok. So she comes out, and she's eventually escorted away where they can get an official translator kind of thing and get a better debrief from her. Do you maintain at the front of the Bearcat at that point?

KG: Yes.

DB: Ok. Kind of go into what happens next after she's kind of taken out of there and somewhere else. What goes on next?

KG: Some more information comes in after, through translation I believe, that now they believe there's only one suspect and only one hostage. And there is conflicting information as to where the hostage and the suspect are. Initially, we heard they are back here in this, we'll call it, northeast corner. Then, information came that there's an office over here in the northwest corner, so we kind of bifurcated our forces in the event we needed to do a hostage rescue upon the shots - oh, if shots fired, that was another one of our orders, that we were going to enter on shots fired. That's another standing order that we had. Officer Edgerton and I were going to make the initial entry. A team was going to flow through between us, go to this location in this far corner, and we were going to go to the, I guess I should say what corner it is.

DB: You were going to go to the northeast, and the other team to the northwest?

KG: We were going to the northeast, and they were going to go to northwest. So as to try and dominate it as quickly as we could.

DB: Ok. So that was the plan if shots were fired, how you guys would address that?

KG: That's correct.

DB: So you're there after she's escorted away. Had you seen the suspect at this point?

KG: Had not seen anybody besides her inside the restaurant.

DB: Ok. She's the only person you ever saw at that point when she came out?

KG: That's correct.



# SACRAMENTO POLICE DEPARTMENT

## PUBLIC HARDCOPY

### RELEASED PER PUBLIC RECORDS ACT REQUEST

GO# SA 2012-332558 CLEARED  
EXCEPTIONALLY

1315-19 245(A)(1)AWDW-NON-FIREARM

Follow Up Report # SA 1

DB: Alright, so what goes on after she gets out of there then?

KG: So we're getting some more information from you guys, and then we received some information from our hostage negotiators that he was talking about surrendering and might come out the back door. And also that he needed to use the restroom. A little bit conflicting, but these things happen on all the barricades and hostage situations. So we're getting that information, and I thought I heard on the radio that the girl needed to use the restroom. I could see, from what I could see and from the drawing, it looked to be that if someone got into this hallway and someone was back here they would actually be separated. So I was trying to make sure that if she went in there, if we saw the hostage go in there, we should make entry to prevent him from being near her. Cause as soon as we get the hostage separated from the hostage taker, you no longer have a hostage situation, you have a barricaded subject and everything is a lot easier. Cause obviously hostage situations are the very worst situations you can have as police officers.

DB: Ok. So your idea was if you were able to see this remaining hostage go down the hallway that was just inside of the door you were looking at, and the suspect was not with her, that if you guys breeched that you'd have separation of the hostage and the hostage taker?

KG: Yeah, and we had some really good information at this point, because we're concerned about him barricading the doors, and the one door we know is not barricaded is the one she came out. Although there was talk earlier of him wiring up the doors to secure them, we knew that he hadn't wired that door because she just walked out there. She didn't manipulate any wires. So we knew it was unlocked, and our entry was going to be quick through there. We had a little maze deeper inside that we would have to concern ourselves with, but it was better than the back door - which was an unknown, and an outward opening door, which is a difficult breach.

DB: You had information that the doors were being wired?

KG: Yeah, this was pretty early on. There was information on the radio that he was trying to barricade some of the doors by wiring them shut.

DB: Ok. Alright. So, you're still at the front. You kind of have this plan that if she was to come here by herself and he's not with her, that you can separate. Does that happen?

KG: It didn't happen, because when we're talking about it we clarified that it's the suspect that wants to use the restroom - not her. So it kind of dissolves right then. The good thing about that is if he does have to use the restroom, and he doesn't defecate in the back, he has to come into our view. So, we'll see him, we'll see the hostage. We'll at least have some intelligence at that point.

DB: Ok. That's the only bathroom that is known in this restaurant, is down that?

KG: That's the only bathroom that was on the sketch.

DB: Ok. Would you say that's off to the right from the opening, from the doorway?

KG: Exactly.

DB: Ok. Alright, so what goes on next then?



# SACRAMENTO POLICE DEPARTMENT

## PUBLIC HARDCOPY

### RELEASED PER PUBLIC RECORDS ACT REQUEST

GO# SA 2012-332558 CLEARED  
EXCEPTIONALLY

1315-19 245(A)(1)AWDW-NON-FIREARM

Follow Up Report # SA 1

KG: Yeah, there's communication regarding that. Eventually, Officer Edgerton reports that he sees movement deep. That's all he says initially. So, we're on target, and I see the hostage wearing her olive green shirt moving towards the door with her, very slowly, with her hands in the air. You know, not fully up, just like this (shows hands raised about halfway over shoulders). I can see a man behind her, kind of longish hair, but he's using her as a human shield. Basically pointing her towards the Bearcat as he's walking behind her. So we don't have much of a view of him until he gets to the hallway where the restrooms are. As he kind of pushes her into the hallway, he kind of exposes a little bit of his arm, and you could see a gun in his hand, and then he moves out of sight. It was probably a second of a view, and she was still kind of in front of him, so I didn't feel comfortable taking a shot - and neither did the other officers that were on the side. And it wasn't until the end, although we suspected he was holding her with a gun, we didn't see it until he started moving in the hallway.

DB: Ok. So not shot is taken at that time by anyone?

KG: That's correct.

DB: Is he physically touching her?

KG: It looks like it. I don't see, he doesn't have an arm wrapped around her, but it kind of looks like he's guiding her. You know, you don't see hands in front of her, but with the glare on that side, being the daytime, you just can't see really well in and it's kind of tinted. I did not see his hand on a shoulder or pushing. Just, it appeared that way just based on her movements. You could tell she wasn't walking freely. She was walking under compulsion. Just being used as a shield.

DB: If he wasn't touching her, was he close enough to touch her?

KG: He was very - yes.

DB: And you see a gun at that point when he made the turn?

KG: Right when he turns to go into the hallway.

DB: So they're making a turn to basically walk northbound. She's in front, he's in back and as he turns, you can see a gun?

KG: Yeah, I think she kind of turned to walk in there and that kind of exposed him for a second, as he's moving in. And it was just a quick glimpse of, I couldn't even tell you for sure which hand it was in, but it was you know, like kind of just leveled at a lower part on him.

DB: And are we talking about like a rifle, shotgun, handgun?

KG: A handgun.

DB: Handgun, ok. So, they walk out of view at that point then after they make that turn?

KG: Yes.

DB: Ok. What goes on after they're out of view now?

KG: At this point, I could tell that his concern is the Bearcat as far as where he thinks the threat is, the threat to him. And you could tell that even though he's been talking of surrendering, he's not showing any indication



# SACRAMENTO POLICE DEPARTMENT

## PUBLIC HARDCOPY

### RELEASED PER PUBLIC RECORDS ACT REQUEST

GO# SA 2012-332558 CLEARED  
EXCEPTIONALLY

1315-19 245(A)(1)AWDW-NON-FIREARM

Follow Up Report # SA 1

to me that he's wanting to surrender. It's looking like, we're hearing stories of him wanting to barricade things. He's clearly using a gun to guide her, and he looks to be, regardless of what he said, he looks to be a real threat to kill this girl. So, as he goes in there I realize that, because he recognizes the Bearcat as his primary threat, the snipers, who have positioned themselves south of the freeway behind a stack of tires, and they're 75 yards away with their sniper rifles, a very easy shot with that. I knew that he's turning sideways, so his profile has to be available to them, even if she's totally blocked - blocking our view. Because he's using, I don't think he's recognizing that as a threat. He's only recognizing us as a threat. I could see the whole time, that he's totally focused on the Bearcat. So I told the sergeant, I said you've got to tell the snipers that they're going to have the opportunity to shoot, because we're not going to get anything. At some point, and I think it was right after she moved, that Officer Edgerton transitioned from an M4 to the .308 AR-10 that we have. It's a semi-automatic .308 rifle which has a 3x power scope on it. I think it was right after they went out of sight into the bathroom. I could be wrong, and he might have had it right before then, but that was the best of my recollection.

DB: Ok, so you think it was after they went out of sight when he transitioned? Somewhere in there?

KG: Somewhere in there. It was in that time frame.

DB: Ok, and the other snipers you had - the snipers were to the south of Folsom Boulevard then?

KG: That's correct.

DB: Across the street?

KG: Uh huh.

DB: So, you relay that, that they would have the shot.

KG: Yeah, as long as - if he did the same thing. There was no indication that he viewed the front of the store as a threat to him at all, based on his movements.

DB: Now, did he - was he looking at you? Did you see him look or anything as he came this way?

KG: I never even saw him look at us. She was looking at us, but, no I did not see. He very well could have been looking, peeking over her shoulder.

DB: Ok. Alright, so they go back there. How long are they back there, out of view?

KG: Uh, 10, 15 minutes, 10 minutes. Roughly. Something like that. Maybe shorter. Time's weird.

DB: Not tracking time.

KG: No. Not paying attention to that.

DB: Ok, what's the next thing that occurs after they go out of view?

KG: We hear someone else report that, said there's movement inside. So, someone had a view down that hallway and saw some movement. I see the female come around, being a human shield again, with her hands up in the air. She turns the corner and takes a step towards the door, and I'm going "oh, something's happening". Then I see her, with her left hand, do some gestures. (Shows a waving on or beckoning type of gesture). Something, she's trying to get me. I'm making eye contact with her, and I'm not understanding what she's doing. But I can



# SACRAMENTO POLICE DEPARTMENT

## PUBLIC HARDCOPY

### RELEASED PER PUBLIC RECORDS ACT REQUEST

GO# SA 2012-332558 CLEARED  
EXCEPTIONALLY

1315-19 245(A)(1)AWDW-NON-FIREARM

Follow Up Report # SA 1

see she's scared, and it looks like she's planning on doing something. You know, like, I mean she's so close to freedom. I'm thinking, she's, this is in my mind, I don't know what she's thinking, that she's going to make her move to escape. And right when this is going on, I don't have a view at all of him. I hear the first gunshot. And that gunshot comes off to my left, so I assume it's the snipers. As soon as I hear the gunshot, she dives to my right - to her left. If you go in the door, there's about a three foot area to the right of the door where there's no exposure from the window, and it goes in about eight feet before you get to the bathrooms. So, it's just a widening of the area. It's not actually in view of the window.

DB: So that would be off to your right. So she's actually facing the door and makes this dive?

KG: Yeah. And then she goes off to the left. She just goes, you can see her going down and to her left - my right. At this point, as she's diving away, I see - right before that you could see that the suspect was right behind her. He was close to her and maybe even taking a step towards her. The shot goes off, and she disappears. I see him lunge back into the restaurant. From my vantage point, it was to my left because I'm at an angle. So, he's diving straight back into the restaurant, but from my view he's going left. Although I think he might have been shot, it clearly didn't drop him. I think he's a real threat to her. I'm scared for the safety of this girl who's still inside. He said he's going to shoot her, and now we've taken these actions to shoot him. He's still mobile. I see him dive backwards into the restaurant. So I fire a shot, trying to track him into the restaurant. Then I lose sight of him, and he's gone. I think he's still mobile. As the shots go off, the hostage rescue team is moving up. I'm supposed to trail them. So, I just immediately start running after them. I could see her come out almost simultaneously when the team is trying to make entry. She is coming out, and she looks to be in good shape. One of the officers in the hostage rescue team takes her and starts running off with her. As I enter, I see the suspect laying on the floor, face down, with his head towards the west. Just basically in the same view I saw him, like he'd run 10 feet and dropped on the ground. The officers that initially made entry are on top of him, and I can see a large pool of blood - so I know he's been shot at least one time. I immediately turned on the bathrooms, because there wasn't a gun initially in that direction. Other officers were pointing their guns towards the back, where the offices were. At this point, we feel pretty good about there not being any more hostages or suspects inside. We're still going to clear the restaurant, because there were so many contradictory statements that came out. We still need to clear it. They decide to clear the back side before they clear the bathrooms. I just held the bathrooms while they cleared. Sgt Brown had come in at this time. We have two EMT's on our team, three including Adam Green who was outside. He ordered the EMT's to perform medical, life-saving attempts on the suspect. I could see that they had retrieved a gun by this time. I hold on the bathrooms until I got two people with me to clear the bathrooms. We don't leave hallways open. As soon as I got two people with me, I believe it was Officer Walters and Officer Chandler, we moved down and entered a bathroom. It was clear and empty. Officer Walters and Officer Chandler cleared the second bathroom, and it was empty as well.

DB: Is that all that was down that hallway, just the bathrooms?

KG: Yeah, that's all I saw.

DB: So you clear those bathrooms. Two of the officers on the SWAT team were performing medical aid type functions on the suspect?

KG: Yes.





**SACRAMENTO POLICE DEPARTMENT**

**PUBLIC HARDCOPY**

**RELEASED PER PUBLIC RECORDS ACT REQUEST**

**GO# SA 2012-332558 CLEARED  
EXCEPTIONALLY**

**1315-19 245(A)(1)AWDW-NON-FIREARM**

**Follow Up Report # SA 1**

DB: Is the fire department, is an ambulance called for this suspect?

KG: Yes. Sergeant Brown got on the radio and requested an ambulance immediately.

DB: Was the suspect still alive to your knowledge when you were there?

KG: Although I was still 10 feet away from him, he appeared to be moving a little bit, and they said he was still alive the whole time - even as he was being removed by the ambulance.

DB: Did you hear him make any statements?

KG: I did not hear him make any statements.

DB: What kind of response time was it for the ambulance?

KG: Less than five minutes, they were in there.

DB: You said a gun was recovered near that suspect?

KG: I believe it was right underneath him. Although I didn't see it being pulled out, I heard them talking about it afterwards. I saw it, where it was laid down.

DB: The rest of the restaurant was cleared by other officers?

KG: That's correct.

DB: Anyone else found inside?

KG: No.

DB: So at that point, when the shots started going off, there were two people in there - one female hostage and then the male suspect?

KG: That's correct.

DB: Just to kind of get the sequence here, you hear the first shot off to your left?

KG: Yes.

DB: So you believe a sniper round was the first shot fired in this thing?

KG: I believe.

DB: The first thing you see is her dive out of your view, to her left which is your right as you're looking through that door?

KG: Yes.

DB: It's a glass door?

KG: It's a glass door, and it's tinted.

DB: Tinted. Ok. Real heavy tint, or kind of somewhere in the middle?



**SACRAMENTO POLICE DEPARTMENT**

**PUBLIC HARDCOPY**

**RELEASED PER PUBLIC RECORDS ACT REQUEST**

**GO# SA 2012-332558 CLEARED  
EXCEPTIONALLY**

**1315-19 245(A)(1)AWDW-NON-FIREARM**

Follow Up Report # SA 1

KG: It's kind of in the middle. The biggest issue with the tint wasn't so much the tint, it was the outside being brighter than the inside, so it just reflected. That problem was bigger than the tint.

DB: So that glare doesn't make it real easy to get a good clear shot of everything?

KG: Yeah, you don't have a real clear view, but you can see.

DB: Is there any other obstructions?

KG: Yeah. Maybe it's the hours of operation, like a sticker on the door, and what credit cards they accept. A couple small stickers like that.

DB: Nothing blocking your view completely though?

KG: No.

DB: You could see some things, you could tell gender when you see these people?

KG: Yeah.

DB: You can make out which one is the hostage as opposed to the suspect?

KG: Oh, it was pretty clear. He took his shirt off. I don't know if I mentioned that earlier, but he was not wearing a shirt when he came into view the first time. He wasn't ever wearing a shirt.

DB: Ok. So you never saw this guy with a shirt on?

KG: No.

DB: He had his shirt off each time you saw him?

KG: Yeah.

DB: So, as she dives out of the way, you see him, you said, kind of dive further into the restaurant, which you're at an angle so it's a little bit to your left?

KG: Yeah, it's, from my angle it looks like he's going to my left.

DB: Now, if you were to stand right in front of the door, are you saying that would be kind of straight ahead from the door then?

KG: Yes, that's kind of what it looked like.

DB: But he's going out of your view to the left, you're tracking him, and you fire one shot?

KG: One shot.

DB: One shot, ok.

KG: By the time I got one shot off, he was gone.

DB: Gone out of view?

KG: Yeah, out of view.



**SACRAMENTO POLICE DEPARTMENT**

**PUBLIC HARDCOPY**

**RELEASED PER PUBLIC RECORDS ACT REQUEST**

**GO# SA 2012-332558 CLEARED  
EXCEPTIONALLY**

**1315-19 245(A)(1)AWDW-NON-FIREARM**

**Follow Up Report # SA 1**

DB: Ok. And that's with the M4?

KG: Yes.

DB: Do you know, did you hear any other shots other than the first shot you heard and then your shot?

KG: A little volley. I heard a little volley of shots, but you don't really register it. But yes, I could tell that Officer Edgerton had shot. At that point, I figured that he had shot, I shot, and someone from the sniper team shot, so I figured there were at least three shooters.

DB: Ok. And when you shot, based on that walk-through, you were at the front of the Bearcat basically the whole front of it was your cover, covering at least the lower part of your body?

KG: Yes.

DB: And you're shooting over that then, towards that door?

KG: Over the hood, that's correct.

DB: Ok, over the hood towards that door.

KG: Yes.

DB: I can't think of anything else at this time. I'm going to take a little break. Do you guys want to take a break from the room?

Sean Howell: Yeah. If you have more questions, we can come back in.

DB: Ok, yeah I may, then we'll come back in. But if you guys want to use the restroom or something like that, if you need to do that, or stretch out you can. And we may come back in.

Sean Howell: Thanks.

(All parties leave the room: 2333 hrs)

(All parties return to the room at 2336 hrs)

DB: There was just one clarifying question that I wanted to ask. When the suspect, after the female dives to her left - your right, and the suspect is kind of diving into the restaurant, at that point did you see whether or not he had a weapon on him?

KG: No.

DB: Ok. So you couldn't see either way?

KG: No. I could tell, if I could clarify, I could tell - I suspected he did just by her actions. She still had her hands in the air. She was still moving as though she was under somebody else's control. But I did not see it then.

DB: Similar to how she was moving when he was walking her back and you did see the gun?

KG: Correct.



**SACRAMENTO POLICE DEPARTMENT**

**PUBLIC HARDCOPY**

**RELEASED PER PUBLIC RECORDS ACT REQUEST**

**GO# SA 2012-332558 CLEARED  
EXCEPTIONALLY**

**1315-19 245(A)(1)AWDW-NON-FIREARM**

**Follow Up Report # SA 1**

DB: That's all I've got, do you guys have any questions of me at this point?

KG: No I don't.

Sean Howell: No.

DB: Well thanks for coming down, I appreciate it.

KG: Thank you.

Sean Howell: Thank you.

(All parties leave the room)

\*\*\* End of interview. \*\*\*



**SACRAMENTO POLICE DEPARTMENT**

**PUBLIC HARDCOPY**

**RELEASED PER PUBLIC RECORDS ACT REQUEST**

**GO# SA 2012-332558 CLEARED  
EXCEPTIONALLY**

**1315-19 245(A)(1)AWDW-NON-FIREARM**

**Follow Up Report # SA 1**



# SACRAMENTO POLICE DEPARTMENT

## PUBLIC HARDCOPY

RELEASED PER PUBLIC RECORDS ACT REQUEST

GO# SA 2012-332558 CLEARED  
EXCEPTIONALLY

1315-19 245(A)(1)AWDW-NON-FIREARM

Follow Up Report # SA 1

### Related Attachment(s) - PHOTO

Attachment Description: **GOOGLE MAP, AERIAL VIEW, SHOWN TO OFC GRIFFIN**

Reference Number:



Google earth

feet  
meters



Google earth



= BEARCAT

PER OFC. K. GRIFFIN

12/2/12  
D 474



# SACRAMENTO POLICE DEPARTMENT

## PUBLIC HARDCOPY

RELEASED PER PUBLIC RECORDS ACT REQUEST

GO# SA 2012-332558 CLEARED  
EXCEPTIONALLY

1315-19 245(A)(1)AWDW-NON-FIREARM

Follow Up Report # SA 1

12-332558



Google earth

feet  
meters



Shown to  
Off. K. GRIFFIN  
12/8/12  
DPB  
474



**SACRAMENTO POLICE DEPARTMENT**

**PUBLIC HARDCOPY**

**RELEASED PER PUBLIC RECORDS ACT REQUEST**

GO# SA 2012-332558 CLEARED  
EXCEPTIONALLY

1315-19 245(A)(1)AWDW-NON-FIREARM

Follow Up Report # SA 1

**Narrative Text Report # 9**

Document: **02 WITNESS STATEMENT**

Author: **602 - MACLAFFERTY, SCOTT 3065**

Subject: **(WITNESS #13) LIGHTFOOT, J 0**

Related date/time: **Dec-08-2012 (Sat.) 2200**

On 12/08/12 at approx. 2200 hours, I (Det. MacLafferty) spoke with Officer John Lightfoot #0560 at the Hall of Justice inside interview room #3. This interview was audio/video recorded and available for review and transcription. I later booked a copy of the DVD into evidence. The following is a summary of the transcribed conversation. Judith Odbert (Attorney at Law) was present on behalf of Officer Lightfoot.

SM: Scott MacLafferty

JL: John Lightfoot

JO: Judy Odbert

SM: I am Scott MacLafferty a Detective with Sac PD Homicide and you are?

JL: John Lightfoot.

SM: Lightfoot, and can you spell your last name?

JL: L-I-G-H-T-F-O-O-T.

SM: And JO-

JL: J-O-H-N.

SM: Ok, and John just really quick can you just tell us about how long you have been a Police Officer?

JL: I went through the academy in 98 and sworn in March of 99.

SM: Since 99, so we are talking 12-13 years.

JL: 13 years.

SM: And what assignments did you have here?

JL: Patrol, POP in G-Parkway for a little while and then SWAT for the last 10 years.

SM: Ok, and when you say SWAT, what is SWAT?

JL: Special Weapons and Tactics.





# SACRAMENTO POLICE DEPARTMENT

## PUBLIC HARDCOPY

### RELEASED PER PUBLIC RECORDS ACT REQUEST

GO# SA 2012-332558 CLEARED  
EXCEPTIONALLY

1315-19 245(A)(1)AWDW-NON-FIREARM

Follow Up Report # SA 1

SM: And you just said it but how long have you been with SWAT?

JL: For about 10 years, two weeks short of ten years.

SM: Two weeks short of 10 years. And being a member of the SWAT team for 10 years I imagine there is quite a bit of training that goes along with that.

JL: Yes.

SM: Without getting into your resume as far as training goes, how often do you train?

JL: We train at least once a month as a team on various tactics and in addition to that we have at least one sniper training a month and then at least one range day a month.

SM: Ok, so you guys train monthly.

JL: Yes.

SM: Now you mentioned sniper, are you one of the sniper members for Sac PD's SWAT team?

JL: Yes I am.

SM: Ok, what is a sniper, can you tell me what a sniper does?

JL: A sniper is just somebody who is specially trained to use a long rifle. We can get out to further distances with a bigger caliber to have that incapacitating shot to end a threat.

SM: Ok, and I imagine on top of that one day a month or so of the continual training that you do as a team, do you have to have additional training to be a sniper?

JL: Yes.

SM: Is that a specialty thing that you would continue to train on?

JL: Yes, and that starts with a basic sniper school and then I have also been to an advanced sniper school. We train monthly on just the sniper element of it.

SM: Now are you the only sniper?

JL: No, there are, if you count reserves a total of six of us.

SM: There are six people that are specially trained to do that special job?



# SACRAMENTO POLICE DEPARTMENT

## PUBLIC HARDCOPY

### RELEASED PER PUBLIC RECORDS ACT REQUEST

GO# SA 2012-332558 CLEARED  
EXCEPTIONALLY

1315-19 245(A)(1)AWDW-NON-FIREARM

Follow Up Report # SA 1

JL: That is correct.

SM: And who else is in or would be a part of that?

JL: Currently the sniper unit is Sgt. Dobson, myself, Ofc. Villegas, Ofc. Kirtlan, Ofc. Rosin, and Ofc. Galipeau.

SM: Ok, now you say snipers use a special type of weapon?

JL: Yes.

SM: And are you still armed with your other SWAT gear or weapons that you would have?

JL: Yeah, right now I just have the department issued side arm.

SM: Ok, do you have that with you?

JL: I do.

SM: Ok, what I would like to do right now then is we are going to check the deficit rounds, making sure, or seeing what ammunition is---

(Officer Lightfoot then unholstered his .40 caliber Sig Sauer 226 with a tac light attached. He unloaded the weapon into the loading tube and I saw one round come from the action of the gun and twelve rounds were unloaded from his single magazine. He did not have any additional magazines for this gun and he told me that when he deployed as a sniper he didn't carry any additional magazines).

SM: Ok, so today, being Saturday December 8th, this afternoon, this whole thing is from an incident that happened at the Jack in the Box, that came out this afternoon. So tell me how this thing came about? How you found out about it and tell us your story about what you observed?

JL: We got a page from the Comm Center just before 1:00 PM. It came out to the city issued phone as well as my personal phone. The information on the page was that there was a takeover robbery at the Jack in the Box and it gave the address of 8349 Folsom Blvd. It had directions on how to enter the scene from westbound Folsom to Julliard and it said that it was 211 takeover with hostages. While I was enroute I was listening to the radio and I could hear from bits and pieces of the radio traffic that it sounded like there were still hostages inside. At that time they knew of at least two employees that were unaccounted for and they were not sure if there were any additional patrons that had not made it out or anything. But there were at least two employees that had not made it out. I responded to the scene and parked just north of the Sea Food Buffet building. At that point, as soon as I was geared up, I was putting my SWAT vest on and getting everything ready. I heard Ofc. Walters (Union 11) say that he needed the next two SWAT officers to respond to the contact team on the?did I get my directions mixed up..



# SACRAMENTO POLICE DEPARTMENT

## PUBLIC HARDCOPY

### RELEASED PER PUBLIC RECORDS ACT REQUEST

GO# SA 2012-332558 CLEARED  
EXCEPTIONALLY

1315-19 245(A)(1)AWDW-NON-FIREARM

Follow Up Report # SA 1

JO: Yes.

JL: I am sorry, the buffet was on the east side not the north side. He put out on the radio that he needed the next two SWAT officers to respond to the contact team that was on the east side, what we were calling the number four side of the Jack in the Box. I finished getting ready and I heard Ofc. Rosin come up on the radio and say that he was enroute over there and I knew that I would be the second one that he needed. I made eye contact with him on the side of the building from the north side of the Sea Food Buffet building and I made my way over to the contact team. At that point, I was assigned as, we have several contingencies that we plan for in that situation. I was assigned to be number three on the contact team, so I would be the third person entering the building. I was also assigned for if they came out in what we call a covered pile, which is where they have a blanket or something over the hostage taker and the hostages, I was assigned as lethal cover on that. We went over those contingencies. I was there for maybe 30 or 40 minutes, no I am sorry maybe 20 or 30 minutes until the armored cars arrived. The peacekeeper took a position to the north of the Jack in the Box covering the back door. The bearcat moved over to a position to the four side or the east side of the Jack in the Box. Our entire contact team moved behind the bearcat. At that point I maintained my previous assignments on the contact team until which time Sgt. Nichols told me that Ofc. Griffen would be relieving me because we needed another sniper to deploy with Ofc. Villegas. At that time, Ofc. Villegas was on top of the buffet building and I could see him on the other side of the bearcat. I went back to my car and switched out some gear to my sniper gear. I made my way to the roof of the buffet. At that point, Ofc. Villegas and I were discussing fields of fire and what we were covering and Sgt. Brown asked us if it was possible if we could cover the one side of the building which was the south side that faces Folsom Blvd instead of what we had from the buffet because the bearcat was kind of covering the same angles. I maintained my position while Ofc. Villegas went around to do a scout to see if we could get in a position on the other side of Folsom Blvd. We had seen a business on the other side of a cyclone fence that sells tires or does something with used tires. There were huge stacks of used tires and so we thought that it might be a decent position. He went over there and scouted and advised me that it was good location. I gave him time to set up and cover from that position and then I came down and moved my way around to him.

SM: Ok, let me just take you back and clarify a couple of things because not every body may know what you are referring to with some of your lingo. Let me take you to the beginning when you got a page and it said 211, take over with hostages.

JL: Yes.

SM: We all know what a 211 is.

JL: A Robbery.

SM: Robbery. Ok, a robbery in progress at the Jack in the Box with hostages.

JL: Yes.



# SACRAMENTO POLICE DEPARTMENT

## PUBLIC HARDCOPY

### RELEASED PER PUBLIC RECORDS ACT REQUEST

GO# SA 2012-332558 CLEARED  
EXCEPTIONALLY

1315-19 245(A)(1)AWDW-NON-FIREARM

Follow Up Report # SA 1

SM: And it is common for communications or SPD dispatch to contact you via cell phone or whatever and you get that. Is that a global page that goes out to your team?

JL: Yes, it goes out to our team, as far as I understand it, it goes out to our whole team and I believe at the same time it goes out to the Hostage Negotiation Team and the upper management.

SM: So SPD has a Hostage Negotiation Team respond. So no matter what you are doing at that point you get in your car and you go.

JL: Yes.

SM: And were you at home when this thing came?

JL: Yes, I was at home.

SM: So you jump in your car and you respond. Do you respond code 3.

JL: Yes I did.

SM: Because it is an in progress call right?

JL: Yes with hostages.

SM: With hostages.

JL: That is as dangerous as it gets.

SM: Correct. So your whole premise is, I mean being in a very important position on a specialized very well trained team is that you need to get there quickly and obviously safely.

JL: Yes.

SM: Alright, when you get there, and things are being set up, you mentioned the four side, can you tell me what or how you guys break up the sides of a building?

JL: Yes. Typically we take the main entry point of a building and that would be labeled the #1 side. It is just like you are looking at a clock, moving clockwise, 1-2-3-4. In this case, a little bit different, we determined the one side was going to be the side facing Folsom Blvd. There were not actually any doors on that side, so typically that would not be your one side but as long as you put it out on the radio and everyone understands where the one side is then you can number the rest accordingly.

SM: Ok, so in this case being the Jack in the Box, the one side is the front doors?



**SACRAMENTO POLICE DEPARTMENT**

**PUBLIC HARDCOPY**

**RELEASED PER PUBLIC RECORDS ACT REQUEST**

**GO# SA 2012-332558 CLEARED  
EXCEPTIONALLY**

**1315-19 245(A)(1)AWDW-NON-FIREARM**

Follow Up Report # SA 1

JL: It would be the south side facing Folsom Blvd.

SM: Facing Folsom Blvd. Ok, and the two side would be on the west, the three side the north, and the four side the east.

JL: Yes, that is correct.

SM: Ok, and just east of that Jack in the Box is the Sea Food Buffet and that is the building just to the east.

JL: Yes.

SM: And that is where Ofc. Villegas is when you saw him or contacted him was up there?

JL: Yes.

SM: Ok, but at first you are joining, as you said, Ofc. Walters, who was establishing a contact team. Can you tell me what a contact team is?

JL: A contact team is a team of officers kind of held in reserve who are close to an entry point in a hostage situation just for a hostage rescue should that take place. That is the team that is going to make initial contact inside whatever business or residence or wherever it may be. It is standard practice in a hostage situation that you would set up a hostage rescue team or contact team as close as you can without obviously giving away your position but as close as you can to that entry point. If shots are fired inside or hostages are in imminent danger and it is deemed an entry is necessary then they are right there ready to go.

SM: So you are on this, a part of this contact team. As part of the contact team from what you are telling me, you guys are the team to save that person or hostage life. If things go really bad you guys need to be as close to make that entry.

JL: That is correct.

SM: And is that something as a SWAT team that you guys train?

JL: Yes, quite a bit. In fact last Monday we trained on that.

SM: So that is an important thing for you guys.

JL: Yes.

SM: You mentioned another word that I want to go over, contingencies? Ofc. Rosin said different contingencies, what do you mean by that?



# SACRAMENTO POLICE DEPARTMENT

## PUBLIC HARDCOPY

### RELEASED PER PUBLIC RECORDS ACT REQUEST

GO# SA 2012-332558 CLEARED  
EXCEPTIONALLY

1315-19 245(A)(1)AWDW-NON-FIREARM

Follow Up Report # SA 1

JL: We talk about different scenarios that might happen. Typically in hostage situations, we will talk about how we are going to enter, who is going to be the breacher, who is going to be number one through the door, #2, #3, and so on. We also talk about what happens if the hostage taker comes out with the hostages in what we call a covered pile, which is a technique of taking a blanket or someway of obstructing their view and putting it over a group of people. So the hostage taker may walk out with two or three hostages all under a blanket and you can't tell who is who. We talk about different roles on how to tactically handle that.

SM: Do people within that contact team, how many guys are in that team?

JL: We try to have at least four.

SM: So does the #1 person have a different role than the #2, 3 or 4? Do you divide it up and could you find yourself as the #1 or #3?

JL: You could. You have to know your specific assignment but you also have to know everybody else's assignment because if things happen that get you out of order or one of the officers goes down on the entry you have to know what the guys job was in front of me and I need to pick up the slack.

SM: In this cover team that you guys had on the 4 side, you said that you were the #3?

JL: Yes.

SM: And that your assignment was lethal cover.

JL: Actually those are two different things. If we were to make an entry I would be the third one through the door. The breacher would come up and breach the door and then 1,2, and I would be the third one in. That is what I meant by #3 on that.

SM: Ok.

JL: Then I was assigned for lethal on like a covered pile situation. A typical covered pile, the plan is that there are one or two officers that will run and pull the obstruction off the pile. Another one or two officers will tackle the entire pile and then there are one or two officers actively seeking out, usually with a handgun, the hostage taker to end that threat.

SM: To end that threat. Now, before we continue on and when you switched roles, Sgt. Nichols, he is the one that tapped you out?

JL: Yes, he advised me that he was bringing Ofc. Griffen over to take my place and I would be moving up to support Ray at his position.



# SACRAMENTO POLICE DEPARTMENT

## PUBLIC HARDCOPY

### RELEASED PER PUBLIC RECORDS ACT REQUEST

GO# SA 2012-332558 CLEARED  
EXCEPTIONALLY

1315-19 245(A)(1)AWDW-NON-FIREARM

Follow Up Report # SA 1

SM: Alright, for that 20-30 minutes that you are on that contact team on the east or 4 side, what if any radio traffic do you hear about how the situation is evolving?

JL: We heard quite a bit. We heard at one point it sounded like they had an open cell phone line with one of the hostages at some point. There were several updates, one was at some point the suspect had dry fired the handgun a couple of times and we also received intel that something to the effect of that he, they heard him telling the hostage, "don't do anything stupid" and she said, "why would I do anything stupid you got a gun to my head". Quite a bit of intel telling us that this is legit and it sounds like he is making threats to end these people's lives.

SM: So when you are hearing this and you are standing in your cover or contact team and you are hearing radio updates that the suspect has dry fired his gun and you are hearing that, it is coming back to you that somebody, is it HNT that is giving you the information?

JL: It typically comes through HNT to either the incident commander or the SWAT commander and they put that out. I believe most of this was coming out through Lt. Watson.

SM: Through Lt. Watson, and he is the SWAT commander, ok. And you are hearing that a person inside is "why would I do that you got a gun to my head". When you are putting those things together and you being on the contact team on the outside, what are you thinking at this point? What is going through your head?

JL: At this point I am thinking that he is probably going to kill some hostages before this is over.

SM: Ok, going back from the beginning on the initial callout and you see a robbery 211, hostages, and you get there and it is still going on and still evolving and people are arriving and taking up these positions, the specialty teams, the SWAT teams, the HNT teams are coming in. Now you are on the contact team and you are hearing this additional information that you have to believe that is absolutely credible.

JL: Yes, he is sounding desperate.

SM: And consistent with everything that you knew before. You just said it, that he was desperate. You mentioned the word, that this is legitimate.

JL: Yes.

SM: So you get tapped out and you go up to?

JL: When I get tapped out with Ofc. Griffen I just briefed him real quick, typically we will say, hey this is my role, and we make sure that he understood it because he was taking my place and would be #3 to enter and he would be the lethal on the covered pile on what we already talked about so as we were switching I briefed him up on that. I said got it and he said yeah I'm good. So I am out and I go back to my car and get rid of a little bit of gear and pick up some other gear because for the sniper type thing we go out typically with either a lighter vest



# SACRAMENTO POLICE DEPARTMENT

## PUBLIC HARDCOPY

### RELEASED PER PUBLIC RECORDS ACT REQUEST

GO# SA 2012-332558 CLEARED  
EXCEPTIONALLY

1315-19 245(A)(1)AWDW-NON-FIREARM

Follow Up Report # SA 1

or no vest because we are out far enough and usually using cover and concealment. I switched guns and put my entry weapon down and got my sniper rifle and made my way to the roof at that point.

SM: Ok, your entry weapon is what?

JL: The entry weapon is a Colt M4, it's a .223 rifle.

SM: When you are on that contact team were you dressed like you are?

JL: I was dressed like this with the heavy SWAT vest on and a helmet and the M4.

SM: Ok, you go back to your car and dump the M4 and what do you pick up?

JL: I pick up my sniper rifle at that point and my sniper backpack which has a sandbag, elbow pads, binoculars, rangefinder and all that kind of stuff.

SM: At that point do you shed the heavy vest?

JL: I kept it with me at that point because I knew that we were going to be real far away and I was not sure until I looked at it if there was going to be enough room where Ofc. Villegas was for the both of us. I figured instead of getting it right back out I would take it with me and see if I am going to need it up on the roof up there.

SM: Ok, you go to the seafood place?

JL: Yes, the Seafood Buffet.

SM: Seafood Buffet. You go up the roof, where is that access point to get to the roof?

JL: The access point is in the kitchen on kind of the north side of the interior.

SM: So you go inside?

JL: Yes. I go inside through the kitchen to the back and up the ladder onto the roof-a little roof hatch.

SM: Do you meet with Ofc. Villegas?

JL: Yes he was right outside the hatch. We talked briefly about his position and what he could see and what he could cover.

SM: What did he tell you?





# SACRAMENTO POLICE DEPARTMENT

## PUBLIC HARDCOPY

### RELEASED PER PUBLIC RECORDS ACT REQUEST

GO# SA 2012-332558 CLEARED  
EXCEPTIONALLY

1315-19 245(A)(1)AWDW-NON-FIREARM

Follow Up Report # SA 1

JL: He told me that he could cover the roof of the Jack in the Box pretty well and that he had the main entry point where they were located at on the east side, the 4 side of the Jack in the Box. At that point we discussed, there was a lower extension of the roof that extended a little closer to the Jack in the Box, so we discussed, I was going to go down there and scout that and see if it was a decent location or not. A lot of these places you just can't quite tell until you are actually there and looking at it. I got all of my gear, went out and around, staying on top of the roof, and made my way down to the lower part of the roof. I had about the same angles that Ofc. Villegas had from where he was originally.

SM: Do you set and up deploy the sniper rifle?

JL: Yes, at that point I deployed the sniper rifle.

SM: What caliber is that again?

JL: It's a .308, Remington 700. So, Ofc. Villegas and I are talking about what angles we have and what we can cover. Ultimately we want to cover as much as we can. We also discussed at that time that, anytime you shoot through glass, ideally you want simultaneous sniper shots. You want two snipers shooting at the same target at the same time. That is to allow, if you shoot through glass sometimes you get a deflection or a deviation of where the bullet hits the glass it can deviate. The idea behind a simultaneous sniper shot is two rounds going to the same target, one breaks and clears the glass and the other one goes straight through to the target. We discussed what the angles were for simultaneous shots and what our communication would be as far as how we would take that shot. Typically we would do a count down and we would count down and shoot at the same number. We knew in this situation that we may not have that long of an opportunity.

SM: Did you guys talk about that?

JL: Yes we did.

SM: I mean was it like, hey we may not get a count down here?

JL: Yes, he was off to my right as we were facing the Jack in the Box and we were kind of yelling back and forth a little bit. I said, "hey I don't think we are going to have time for a countdown" and he said, "yeah I agree". I said, alright we need to come up with some other type of verbiage so we know. He said, ok how about if one of us has the target we saw "I got him" and the other one says "I got him" then we know that we are both on target and we will take the simultaneous shot on that. So we are on the same page on exactly how that was going to go down.

SM: At this point you are both on the roof, you are both deployed and you talked about the glass, you talked about, "I don't know if we are going to have time for a countdown", and you have made the arrangements between the two of you, you guys train together and you know each other. You have got all that ready. Has there been or has anybody put out what the rules of engagement at this point up to now were for you guys on possibly having to take a shot?



# SACRAMENTO POLICE DEPARTMENT

## PUBLIC HARDCOPY

### RELEASED PER PUBLIC RECORDS ACT REQUEST

GO# SA 2012-332558 CLEARED  
EXCEPTIONALLY

1315-19 245(A)(1)AWDW-NON-FIREARM

Follow Up Report # SA 1

JL: Yes, obviously the general orders would apply. If hostages lives were in danger or if anyone in the area's life is in danger then we would react accordingly. We were also told that if we had a clear shot of him to take the shot.

SM: Who told you that?

JL: That came out through Lt. Watson.

SM: And Lt. Watson is the SWAT Commander.

JL: The SWAT Commander.

SM: Ok, continue.

JL: Ray goes and over south across Folsom Blvd. south of the Jack in the Box. He gets set up and I make my way over there as well. We set up on some tires that were stacked about three tires tall and then a tire to sit on. We got in a comfortable position there and we cut a for lack of a better term a window out of the cyclone fence so that the rounds would not hit the fence and alter their trajectory. We set up there and again talked about the simultaneous shot. We talked about, even though we were just maybe two feet apart, we talked about what our angles were. I remember pointing out to him, hey you see the smoothie machine in there. How far to the right can you see the smoothie machine. He said, I got about a foot and a half. I said, I got about six inches of it. So we talked about those kind of things. In my mind I know where this window might be for a simultaneous shot and vice versa. We again talked about that we are not going to have time for a countdown more than likely and we reiterated again at that point whichever one of us has a shot we will say I got one and the second one will say I got one and we will take the shot.

SM: I forgot to ask you when you are on the roof of the Seafood Buffet, did you see anybody inside?

JL: No.

SM: Did you see anybody inside at all?

JL: Nothing.

SM: Ok, now he goes out first, goes across Folsom Blvd. and set up. I imagine he radios you or whatever, saying come on over. You go over and you guys set up there. When you set up, we walked through and kind of saw the area in the tires that you set up, and the window that you guys had made. Did you or were you aware of the distance between from where you were to the Jack in the Box?

JL: Yes. At some point, I think probably before I made my way over there Ofc. Villegas had used his range finder and he told me it was 45 yards to the glass.



# SACRAMENTO POLICE DEPARTMENT

## PUBLIC HARDCOPY

### RELEASED PER PUBLIC RECORDS ACT REQUEST

GO# SA 2012-332558 CLEARED  
EXCEPTIONALLY

1315-19 245(A)(1)AWDW-NON-FIREARM

Follow Up Report # SA 1

SM: From his location?

JL: Yes.

SM: Ok, so you are 45 yards. When you guys set up how far are you guys away from each other?

JL: Probably two maybe three feet.

SM: So there is two to three feet between the two of you.

JL: Yes, that is correct.

SM: When he tells you it is 45 yards do you have to do anything with your (unintelligible)?

JL: At that point, anything 50 to 100 yards I don't make any adjustments to my sniper rifle at all. I knew when he said 45 yards I knew that I was good.

SM: Now you mentioned sniper rifle and it is a .308.

JL: Yes.

SM: Ok, let's just talk about that for a second. How many rounds are in a .308 sniper rifle?

JL: The Remington 700 bolt action that we have carries four in the internal magazine and one in the chamber so it would be five total.

SM: Is there a scope on that?

JL: Yes there is.

SM: What is the range of that scope?

JL: It is a 3 to 15 power scope.

SM: What does that mean.

JL: That means at the top of the 15 it will magnify it by 15 times.

SM: Ok. When you are for lack of a better term, on target, when you are looking, are you constantly looking through the scope?



# SACRAMENTO POLICE DEPARTMENT

## PUBLIC HARDCOPY

### RELEASED PER PUBLIC RECORDS ACT REQUEST

GO# SA 2012-332558 CLEARED  
EXCEPTIONALLY

1315-19 245(A)(1)AWDW-NON-FIREARM

Follow Up Report # SA 1

JL: Typically, if it was not a simultaneous shot we would have a sniper and observer team. So one guy would be on the gun for 20 or 30 minutes and then you would switch. While the observer would be looking through binoculars or just plain vision looking (unintelligible) depending on how far away you are. But, in this situation where we needed a simultaneous shot both of us are on the scope.

SM: Both eyes on the scope?

JL: Yes.

SM: And you said for the 20 or so, how long were you there at that area of the tires?

JL: I kind of lost track of time but it seemed like we were there maybe 30 or 45 minutes.

SM: Ok, and in that 30 or 45 minutes, we all know that he came out with somebody. But in that 30 to 45 minutes besides right there at the end, did you ever see any movement inside?

JL: No, just right toward the end.

SM: Ok, but the whole time you are up and ready to go.

JL: Yes. If you have to readjust or come off scope for any reason that would something that we would communicate, "hey I'm going to be off the scope for a minute".

SM: Excellent.

JL: Then you get the operation, "ok, I copy you".

SM: So constant communication between you and your partner.

JL: Yes absolutely.

SM: When you guys are doing this between the two of you, are you hearing additional radio traffic?

JL: Yeah, we heard some radio traffic about, I didn't hear that HNT had actually made contact with him but it did sound like from some of the radio traffic that they had actually talked to him or maybe they were gaining that intel through the hostage, I'm not sure. But there was some intel that at one point the back door was wired shut. There was also some intel about that he may surrender or come out the back door. And there was some intel that he needed to use the restroom which was located down that hallway.

SM: Did it kind of come to you in that order? I mean, does that make since to you?

JL: I think it did come in that order.



**SACRAMENTO POLICE DEPARTMENT**

**PUBLIC HARDCOPY**

**RELEASED PER PUBLIC RECORDS ACT REQUEST**

**GO# SA 2012-332558 CLEARED  
EXCEPTIONALLY**

**1315-19 245(A)(1)AWDW-NON-FIREARM**

**Follow Up Report # SA 1**

SM: Now when you hear the intel that he might be coming out to use the restroom do you know where the restroom was located in there?

JL: Yes.

SM: Where would that be?

JL: Let me step back for just a second, before I left the bearcat and went to supplement Ofc. Villegas where we were, Ofc. Rosin had a hand written drawing of the inside of the location and at that point I knew that the hallway that led back to the bathrooms. I knew where the office was where they suspected he was holding the hostages. Having that intel, I knew when I got to my sniper location exactly what I was looking at and I could see one of the bathroom signs through the window that I was looking at. I could see it at the end of the hallway the bathroom sign.

SM: Ok, so you are in-line, at least enough to see that there is a bathroom in-line within your sights?

JL: Yes.

SM: And you hear something about him having to go to the restroom or bathroom or something?

JL: Yes.

SM: Ok, was there any talk or discussion between the team globally as to what could or might or should happen should he go to use the restroom?

JL: Yes. At that point, I believe it was Sgt. Brown got on the radio and made sure that we all copied that he was possibly going to go to the restroom and we all knew where that was. He then talked about the distance from the bearcat to where that suspect might present himself and reminded everybody that is was about 25 yards and they need to know their weapons.

SM: What does know your weapons mean?

JL: For the entry weapons, the M4 specifically, we sight those in at 50 yards and there is a different hold depending on how far away you are. So at 25 yards you may hold a little bit different than you would at 50 yards.

SM: Ok so that made sense to you, "At 25 yards know your weapons"?

JL: Yes. It made sense to me but I had the sniper rifle. It made no difference to me but I understood it.

SM: Did he give you guys, being you and Ray, the snipers, any direction?



# SACRAMENTO POLICE DEPARTMENT

## PUBLIC HARDCOPY

### RELEASED PER PUBLIC RECORDS ACT REQUEST

GO# SA 2012-332558 CLEARED  
EXCEPTIONALLY

1315-19 245(A)(1)AWDW-NON-FIREARM

Follow Up Report # SA 1

JL: He did verify that we copied that and I can't remember the exact wording that he used but basically reiterated that we may have a shot at that point.

SM: But you don't remember what the words were?

JL: No, I don't recall.

SM: But he did direct that radio traffic to you?

JL: Yes.

SM: And verify that hey did you copy that?

JL: Yes. Basically making sure that we understand where he was going to and that may bring him into a position where we may have a shot.

SM: Ok. Now you mentioned, you said one thing, you said hostages, was it your understanding that there was one or two?

JL: At the point when I was on the roof of Seafood Buffet, one female hostage came out and we knew from the intel before that there was at least two female hostages that were employees there and it was unknown if any patrons had been trapped inside. So the one female came out so we knew that there was still at least one hostage at that point.

SM: So one female came out when you were on the roof. Did you actually see her come out?

JL: I saw her come out.

SM: When she came out, how did she come out?

JL: She came out and looked a little freaked out at first and she just kind of stood there. I could hear, I could not hear exactly what they were saying, but I could hear the guys at the bearcat giving her orders and she seemed to kind of stand there for a minute like I don't know what to do or where to go. They finally, I see them waving her over and she finally worked her way over there and they started to debrief her at that point.

SM: Ok, again going back from the call to get there. Hearing that radio traffic, being up on the roof, and now actually seeing a hostage come out. Now that she's out, you still have information that somebody else is in danger inside. There is another person in there?

JL: Yes.



**SACRAMENTO POLICE DEPARTMENT**

**PUBLIC HARDCOPY**

**RELEASED PER PUBLIC RECORDS ACT REQUEST**

**GO# SA 2012-332558 CLEARED  
EXCEPTIONALLY**

**1315-19 245(A)(1)AWDW-NON-FIREARM**

Follow Up Report # SA 1

SM: And that is from the additional radio traffic?

JL: Yes, that is from knowing from the get go that there is at least two. Obviously from one coming out there is at least one more. When she came out and just stood there for a minute I thought, man I hope he is not in a position, the bad guy is not in a position to be able to shoot her in the back because we could not see, from the bearcat side you could not see that far in there. I thought, man she needs to get out of there quick because she seemed like she didn't quite know where to go or what to do.

SM: Let me go back, let's take you forward again. Now you are sitting there, you have Sgt. Brown on the radio to you, he is reminding the team to know your weapons, it's 25 yards, you and Ray are set up pretty much side by side within a couple of feet. You guys have already discussed, and I am just regurgitating what you told me and if I am wrong please tell me. You guys have already discussed the possibility of not having the countdown and what you are going to use if you do get that shot. What was that again?

JL: It was just going to be " I got him" "I got him" and then from the other one. We knew that if I said, "I got him" and I knew if Ray didn't answer or if he said no then I know that I can't take the shot because it might be enough deflection and I might miss him.

SM: Ok, the only way that you guys can take this shot is if you do it together?

JL: Yes.

SM: Simultaneously.

JL: Yes, that is correct.

SM: Alright, what happens next?

JL: I lost my track where were we?

(Everybody talking at once)

JO: Going to the bathroom.

JL: A couple of minutes after receiving the information that he may be coming out to go to the bathroom we also received intel that the female hostage was wearing a green shirt because somebody had seen her on the drive thru side I believe. A couple minutes after the information about them going to the bathroom, as I am looking through my scope down the hallway to the bathroom area I see a female in a green shirt pop into my scope. On the outside of the window that we are looking through there was a huge sign for some deal that they had going and it blocked out some of our, you could not see through it. You could see through the window around it but you could not see through the sign itself. She came out to a point where I could see her but I could not see the suspect. And then they stood there for a minute and there was some radio traffic about that there was movement



# SACRAMENTO POLICE DEPARTMENT

## PUBLIC HARDCOPY

### RELEASED PER PUBLIC RECORDS ACT REQUEST

GO# SA 2012-332558 CLEARED  
EXCEPTIONALLY

1315-19 245(A)(1)AWDW-NON-FIREARM

Follow Up Report # SA 1

inside. Ray and I designated, another thing that we discussed was who was going to be the radio guy and Ray was going to be the radio guy and he was responsible for any radio traffic that we put out. We do that so that we don't both get on the radio at the same time in the event that we need to communicate something. Somebody put out that there was movement inside and Ray put out something to the effect of, "yeah we see the movement". At that point I can see just a sliver of what I guessed was the suspect's right arm. I could not quite tell for sure because that is all I could see was a sliver of the arm. Shortly after that I saw a large silver handgun in that hand and he was kind of waving it around as he was talking. But again, all I could see was her and I could see just that sliver of him. Again, more communication between Ray and I. I said, "Hey I got just his right arm". Ray said, "I don't have him at all". I said, "ok, we can't take that shot". Shortly after that they both started to walk down the hall and toward the bathrooms. At that point she actually went in front of him so I had momentarily, the suspects back, but my back drop was the hostage and I told Ray, "I don't have a clear shot". He said, "neither do I". At that point they open the bathroom door and they both went into the bathroom. They were in there for several minutes. Ray and I again discussed what our verbiage would be when he came out of the bathroom. We discussed that it was going to be "I got him" and when we heard the second one say "I got him" that would be the simultaneous shot. Several minutes go by. The bathroom door opens up and I again see the female in the green shirt. She walks out into the hallway and is standing in the hallway. I said, "All right Ray she is out". He said, "I can see her". At that point I can see through the open door, I can see the suspect and I can see that he still has the handgun. They both eventually exit the bathroom. He is walking behind her. They get most of the way down the hall and she took a step to her left, my right, and I said as soon as she did I could see?.

JO: (unintelligible) east west?

JL: She took a step to the east. As soon as she did I could see the entire suspect's upper torso. I said, "I got him I got him". I heard Ray echo "I got him" and we both fired. It was really close to simultaneous, it sounded like one gunshot, which is exactly what we train for.

SM: When they come out of the bathroom. Actually let me back you up, when they go into the bathroom, you say that you saw the silver handgun with a sliver of his arm. That was not attached to the female with the green shirt. That was two people.

JL: Yes.

SM: When they walk into the bathroom and he is walking away from you with her in front correct?

JL: Yes.

SM: And him in the back, what is his upper body clothing?

JL: He had no shirt on at all. He had his hair pulled back into a pony tail and no shirt on.

SM: When you see that gun, is it being waved around?





# SACRAMENTO POLICE DEPARTMENT

## PUBLIC HARDCOPY

### RELEASED PER PUBLIC RECORDS ACT REQUEST

GO# SA 2012-332558 CLEARED  
EXCEPTIONALLY

1315-19 245(A)(1)AWDW-NON-FIREARM

Follow Up Report # SA 1

JL: It was, so they stopped right at the entry to the hallway and that is when I could just see a sliver. I could see her talking and I assumed that he was talking back because she would wait a second and she would say something else. I see the gun going like this (indicating moving around).

SM: And you are watching through the scope?

JL: Watching the whole thing through the scope.

SM: Ok, and you see her talking. If you can remember, can you describe what her facial expressions were?

JL: She seemed agitated, she seemed kind of like maybe he was telling her to do something and she did not want to do it. It is hard to say but she definitely seemed like she was not happy to be there. She was scared.

SM: Who would be for sure. Are they close?

JL: Yeah, there was in my field of view probably a foot and a half from her face to where I could not see and I could just see a sliver of his arm.

SM: And she is actively engaging him and you say agitated and then the back side of him all you can see is this (indicating arm movement) and she is agitated.

JL: All I could see was part of this arm (indicating part of right arm) and I could see from the elbow down that the gun was swinging around a little bit.

SM: Ok, now again I want to take you back to the beginning. The call, everything that you learned, known, and that you saw on the contact team. Going up to the roof, seeing the female coming out, getting those rules of engagement, hearing whether it was HNT or Lt. Watson putting out all of this information, that this is a legitimate hostage call. Now you move across the street looking down?.

JL: It confirms everything.

SM: And now you are seeing, you and Ray are the two that are seeing this unfold in front of you with this hostage. Now you have confirmed, I guess the second hostage. Because you hear that she has a green shirt, again I am just regurgitating what you told me right, she has got this green shirt, now you have eyes on this lady this girl in the green shirt standing next to who would be the suspect with the gun. You can't take that shot because they are too close together.

JL: Well they were fairly close together but we could not take a simultaneous shot because?

SM: A simultaneous shot.



# SACRAMENTO POLICE DEPARTMENT

## PUBLIC HARDCOPY

### RELEASED PER PUBLIC RECORDS ACT REQUEST

GO# SA 2012-332558 CLEARED  
EXCEPTIONALLY

1315-19 245(A)(1)AWDW-NON-FIREARM

Follow Up Report # SA 1

JL: All I could see was a sliver of his arm and I would have had to guess where his body was and Ray could not see him at all. If it came, again we communicated and I said, I could shoot through that sign but I would be guessing where his body is and Ray said I don't have him at all. Ok, we can't take it at all.

JO: Can I cut to the chase with a question. You had him with his back to you and you didn't shoot because you said that she was in your back drop. Is that because your ammunition from that firearm could go through him and through her?

JL: Yes.

JO: Ok. So you didn't have that shot safely.

SM: That was a question because she was in the way. Because it could have went right through him and her.

JL: Correct. And that one happened so quick that as soon as I communicated that, he was in the bathroom so we never had the communication back and forth where we could have taken the simultaneous shot.

SM: Ok, so now were out and you have taken the shot. What happens next?

JL: We take the shot and it was bang bang. They were really close together just like we wanted them. I see the two holes in the glass. When you fire the sniper rifle it will recoil and it comes back on target so for a moment you lose what you are looking at in the scope completely changes and then comes back. I cycled the action and came back on my scope and there was nobody in the scope. I did not see her, I did not see him. All I saw was the two holes in the glass. At that point, I knew the entry team was going to be entering right on top of it so I flipped the weapon on safe and picked it up in kind of a port arms position so there was not a danger of another round going down range.

SM: Did the entry team?

JL: About the same time that I am going on safe I hear shots from what would be my right, the east side of the location, I hear three or four shots from that side. And then I hear another one or two shots from my left which would be the west side of the location as well. I could not tell who was shooting I could just tell that there was shots being fired.

SM: Would you know who was on the east or west side?

JL: No. I don't know who was shooting. I just heard the shots and there were flash bangs going off in the back and I knew prior that part of the plan was we use flash bangs as a distraction so they were going to throw flash bangs in the back of the location to hopefully be some sort of a distraction while the entry team entered the other side. So we all knew that was going to happen.

SM: Ok, and then after that?



# SACRAMENTO POLICE DEPARTMENT

## PUBLIC HARDCOPY

### RELEASED PER PUBLIC RECORDS ACT REQUEST

GO# SA 2012-332558 CLEARED  
EXCEPTIONALLY

1315-19 245(A)(1)AWDW-NON-FIREARM

Follow Up Report # SA 1

JL: After that I see the entry team make entry into the primary breech point there which would be on the east side of the Jack in the Box. Shortly thereafter, Sgt. Brown came up and said that the suspect was down and we needed an ambulance to the bearcat location. I believe Lt. Watson asked what the status of the hostage was. I'm sorry I skipped that part, again about the time I was putting it on safe, I reacquired my sight picture, I see the hostage get up at some point and I see the green shirt running off to the east and meeting officers there. I hear the radio traffic that the suspect is down and Lt. Watson asked about the status of the hostage and Sgt. Brown said that the hostage was fine. I think that is about it.

SM: And an ambulance was called?

JL: An ambulance was called.

SM: Did you see the ambulance arrive?

JL: Yes.

SM: And did you see the suspect get loaded into the ambulance?

JL: Yes, I did.

SM: Ok, and then the ambulance left?

JL: Yes.

SM: Ok.

JO: I have a question. You said that you brought your rifle back down?

JL: Yes.

JO: Did you have anything with the (unintelligible with multiple talking) position?

JL: Yes, I wanted to, because I cycled the action, typically when you take a sniper shot you will cycle the action just in case you need a follow-up shot. With the entry team coming in so close I knew that it was going to have to be on safe and at port arms or somewhere where it is not going to be a danger to the entry team. As soon as I see them moving I put it on safe, and at that point I sat it off to the side and cleared the chamber.

JO: And when you cleared the chamber does a live round come out?

JL: Yes, a live round comes and there is still three in the magazine, the internal magazine.



**SACRAMENTO POLICE DEPARTMENT**

**PUBLIC HARDCOPY**

**RELEASED PER PUBLIC RECORDS ACT REQUEST**

**GO# SA 2012-332558 CLEARED  
EXCEPTIONALLY**

**1315-19 245(A)(1)AWDW-NON-FIREARM**

**Follow Up Report # SA 1**

SM: Ok, there should be three in the mag?

JL: Yes.

SM: And one live, the one that you pointed out to us out there and one spent.

JL: Yes, one spent.

SM: Anything else. Ok, I will be back.

(I exited the room and checked to see if anyone had any additional questions. There were none).

End of Interview.



# SACRAMENTO POLICE DEPARTMENT

## PUBLIC HARDCOPY

### RELEASED PER PUBLIC RECORDS ACT REQUEST

GO# SA 2012-332558 CLEARED  
EXCEPTIONALLY

1315-19 245(A)(1)AWDW-NON-FIREARM

Follow Up Report # SA 1

#### Narrative Text Report # 10

Document: **02 WITNESS STATEMENT**

Author: **477 - JOHNSON, M 0706 ( [REDACTED] )**

Subject: **(WITNESS #16) [REDACTED]**

Related date/time: **Dec-09-2012 (Sun.) 1335**

(12-9-12, 1335 hours, [REDACTED]-16th Avenue, digitally audio recorded, in summary:)

I am Xang KHANG'S brother. Our parents are not home right now. I haven't heard anything about what happened. Is Xang here? He's not? I haven't seen the news about what happened yesterday. I thought Xang was here the whole time. I thought he was in his room.

How did all that happen? I haven't heard anything about the Jack in the Box yesterday. Xang has no friends and no girlfriend. He is usually here every night, but he is always locked up in his room. We thought he was in his room the whole time.

Xang has no car. Usually he walks around or stays home all the time. Sometimes friends come by. Xang didn't have a job. He does have a kid, but they are not together right now.

I didn't see Xang yesterday. I thought he was in his room the whole time. The last time I saw him was on Friday [December 7, 2012.] We hardly watch the news, so I didn't hear about anything that happened yesterday. Nobody in the family heard anything.

Xang has been acting weird lately, too. I think he was using drugs. I don't know what he was using. Probably some "crystal." One time I saw him, I think he just walked off down the street. I think that was on Friday. I'm not sure of the exact time. It was in the afternoon sometime, probably around 3:00 or 4:00 PM.

He has been acting "crazy" lately, and we don't know what to do. A while back, probably a year ago, we had to call the police on Xang. He tried to fight us and "do some stuff to us." He's been acting crazy lately, so I thought he was going to do something stupid, too. Xang hasn't acted suicidal, but he wants to cause a lot of problems. That's about it. I just don't know what to say. That's kind of sad, because that's my brother. Its better that something happened to him, instead of him "trying to suffer to us."

Xang has been using drugs since years ago. He's tried to hurt family members. He's tried to fight his older brothers before.

\*\*\*END OF INTERVIEW\*\*\*



# SACRAMENTO POLICE DEPARTMENT

## PUBLIC HARDCOPY

RELEASED PER PUBLIC RECORDS ACT REQUEST

GO# SA 2012-332558 CLEARED  
EXCEPTIONALLY

1315-19 245(A)(1)AWDW-NON-FIREARM

Follow Up Report # SA 1

### Narrative Text Report # 11

Document: **02 WITNESS STATEMENT**

Author: **477 - JOHNSON, M 0706** ( )

Subject: **(WITNESS #17)** ( ) **Sep**

Related date/time: **Dec-09-2012 (Sun.) 1406**

(12-9-12, 1406 hours, ( ) -16th Avenue, digitally audio recorded, in summary:)

I am a brother of Xang KHANG. What happened to him?

[Explained.]

I don't know stuff like that. Xang has been "acting crazy" lately. That's the only thing that's been going on. I don't live here. I live a few houses down. The last time I saw Xang I think was on Friday [12-7-12.] He came to my house because he wanted to use my bathroom, but he looked like he was on drugs, so I told him, "No, you can't use it" and stuff. I think that was probably around 6:00 or 7:00 PM.

I think Xang gets around by walking. Most of the time he asks me to take him to the store and stuff like that, but usually I see him walking around. Both of his parents live here. Our dad's name is ( ), and mom is ( ). They both speak Hmong.

We did call the police on Xang last year. I think the doctor said he was on drugs. Most of the time when he starts acting like that, we kind of just leave him alone so he doesn't cause any problems. Usually, our parents would talk to Xang and he would start getting real angry. The best things for my parents to do was kind of leave Xang alone.

I think Xang has tried to hurt himself before. I've seen marks on his body like cuts and stuff like that. I asked him a few times what happened, but he would say, "Oh, it's nothing." I knew something was going on with him, too. I would talk to him once in a while, and he was good for a while too. He was good for six or seven months, and then I don't know what happened. He started acting up again. I think he started using drugs again a few months ago. Xang used to play sports with us, but after that, he just stopped playing with us a few months ago.

When Xang was playing sports with us, he wasn't on drugs. He would be active and socialize. But once he started doing drugs again, he went away from that. Xang had no cell phone or girlfriend. I think he was closest to me and his other brothers.

\*\*\*END OF INTERVIEW\*\*\*



# SACRAMENTO POLICE DEPARTMENT

## PUBLIC HARDCOPY

RELEASED PER PUBLIC RECORDS ACT REQUEST

GO# SA 2012-332558 CLEARED  
EXCEPTIONALLY

1315-19 245(A)(1)AWDW-NON-FIREARM

Follow Up Report # SA 1

### Narrative Text Report # 12

Document: **02 WITNESS STATEMENT**

Author: **477 - JOHNSON, M 0706** (██████████)

Subject: **(WITNESS #14)** ██████████ **Sep-**

Related date/time: **Dec-09-2012 (Sun.) 1609**

---

(12-9-12, 1609 Hrs., Hall of Justice, interview room #5, audio/video recorded, joint interview with her mother, ██████████, in summary:)

I didn't see the suspect come in. He came up to my dad with a gun and told him, "Come here." My dad got up and walked with him to the front counter. I saw the suspect go to the back, behind the counter. I think he was going to rob the place. I didn't hear him say anything. He was scary. I saw the gun he had. It was like an "old-fashioned" gun. It was silver. It didn't look square. I don't know how big it was. It was about as big as your hand. He was pointing it at people, but he didn't point it at me. He was pointing it at the people that were behind us. He was like, 10 feet from me. He pointed it at my mom and dad. We left as fast as we could. I remember the suspect had a ponytail and jeans. He wasn't much bigger than my sister, ██████████.



# SACRAMENTO POLICE DEPARTMENT

## PUBLIC HARDCOPY

### RELEASED PER PUBLIC RECORDS ACT REQUEST

GO# SA 2012-332558 CLEARED  
EXCEPTIONALLY

1315-19 245(A)(1)AWDW-NON-FIREARM

Follow Up Report # SA 1

#### Narrative Text Report # 13

Document: **02 WITNESS STATEMENT**

Author: **477 - JOHNSON, M 0706 ( )**

Subject: **(WITNESS #15) ( )**

Related date/time: **Dec-09-2012 (Sun.) 1609**

(12-9-12, 1609 Hrs., Hall of Justice, interview room #5, audio/video recorded, joint interview with her daughter, ( ), in summary:)

Yesterday, my husband, daughters ( ) and ( ), and I were going to go buy a Christmas tree. We stopped at Jack in the Box for lunch on the way.

We went into the restaurant, ordered our food and we sat at one of the tables along the windows, facing out towards our car. I noticed my husband went to talk to somebody, and that's when I noticed the suspect standing behind my daughter, ( ). The suspect was pointing a gun in our direction. My husband looked like he was going to reach for his wallet, so I started to reach for my purse to get my wallet.

My husband then got up and walked with the suspect over to the front counter. I didn't hear the suspect say anything at that time. I heard my husband say, "Okay," and then walk to the counter with the suspect. I told the girls to get under the table, and I went under the table and motioned to other customers to do the same. I don't know if they knew what I was trying to tell them.

I looked over to the counter where my husband was standing, and I saw him motioning with his hands for us to go over to the side. I was kind of confused because I didn't know there was a door in the direction my husband was motioning. He waved his arms again, trying to get us to move in that direction. ( ) got up and went out the door, and then ( ) and I followed her to our car. My husband followed us out there, and then we got in the car, called 911 and drove home.

I didn't see the suspect come in. I gathered that he came in the other door because we were facing the parking lot, and we didn't see or hear anything. All of a sudden, I noticed the suspect was behind us and my husband was getting up to walk with him. The suspect was holding the gun up and pointing it, but he wasn't pointing it directly at me. He was holding the gun above ( ) head. He was looking at us, but mainly looking at my husband.

The suspect was shorter, about 5-4, young Asian guy with baggy clothes. He had some facial hair, and kind of had a "blank look" on his face. I remember he was wearing baggy jeans and a light colored shirt or sweatshirt.

I didn't hear the suspect say anything at all the whole time. My husband told me the suspect tapped him on the shoulder and said, "Come with me." When the suspect and my husband walked to the front counter, I didn't see where the suspect went from there. My husband told me that the suspect went to the back of the store behind the counter.

I didn't see or hear the suspect pull the trigger at all. I didn't hear the suspect say anything to anybody. I heard my husband say, "Oh," or something like that when the suspect told him to get up. I didn't see the suspect point the





# SACRAMENTO POLICE DEPARTMENT

## PUBLIC HARDCOPY

### RELEASED PER PUBLIC RECORDS ACT REQUEST

GO# SA 2012-332558 CLEARED  
EXCEPTIONALLY

1315-19 245(A)(1)AWDW-NON-FIREARM

Follow Up Report # SA 1

gun at anybody else in the restaurant. I didn't see him hit or assault anybody. My daughters and I immediately went underneath the table, and when I looked up again, the suspect wasn't there. From the time I first saw the suspect to the time we left was very fast, not even a minute.

The suspect didn't look angry or threatening. If the gun wasn't there, he would just look like some man standing there. He was just looking straight ahead with a blank look like he was staring into space. I couldn't smell alcohol on him or any other body odor. I work in a psychiatric hospital, and that's what he reminded me of, just someone who was heavily medicated or psychotic or something, because he almost looked like he wasn't engaged in the situation, like someone who was holding a gun on people. He was possibly under the influence of something because it seemed like he didn't have his wits about him. Looking back on it, I would have thought he would have been angry or yelling, so that's why it kind of seemed strange to me that he was just kind of very calm and expressionless.

When the suspect came in, we were looking the other way facing the parking lot. If the suspect was going to rob the store, he probably could have done it and we would have never known. It doesn't make sense that the suspect would engage us if he was robbing the store. It was confusing that if he was going to leave my husband there if he wasn't going to ask us to come with us. I had my phone on the counter or in my hand. It was strange that the suspect would take my husband away and leave us sitting there. He didn't give us any direction. It didn't make sense. Why would he involve [REDACTED], and then let her go?

[REDACTED] told me afterward that the reason she knew the suspect was there was that he pulled her head back by her hair. That caused my husband to look over, and that's when the suspect tapped my husband on the shoulder and told him to "Come with me."



# SACRAMENTO POLICE DEPARTMENT

## PUBLIC HARDCOPY

RELEASED PER PUBLIC RECORDS ACT REQUEST

GO# SA 2012-332558 CLEARED  
EXCEPTIONALLY

1315-19 245(A)(1)AWDW-NON-FIREARM

Follow Up Report # SA 1

### Narrative Text Report # 14

Document: **02 WITNESS STATEMENT**

Author: **227 - DEDONDER, BRIAN 0302** ( [REDACTED] )

Subject: **(WITNESS #4) GREEN, A 3**

Related date/time: **Dec-11-2012 (Tue.) 1009**

12-8-12 @ 2055 hrs I, Det. DeDonder, interviewed Sgt Adam Green at HOJ interview room #3. Also present in the interview room was Attorney Jeff Edwards from the Mastagni Law Group. The interview was digitally recorded onto a DVD which was later booked. For exact content, see the video. The following is a summary of what Sgt Green related to me during the interview:

(Prior to the interview Sgt Green was asked to unload his side arm duty weapon so that the rounds could be counted. Sgt Green unloaded his weapon and I counted a total of 13 rounds (12 in the magazine and 1 that was in the chamber).

I've been an officer with Sacramento Police Department for 11 years. I am currently a Patrol Sergeant and I am assigned to District 4, late watch. I am also currently a reserve SWAT officer. I left SWAT 6 months ago when I promoted to Sergeant and I am still on the SWAT team until the new replacement officers get trained. I was on the SWAT team for almost 6 years prior to me promoting to Sergeant back in June 2012.

Today, at approximately 1:00 PM I received a text page to my phone indicating that there was a 211 take-over at the Jack in the Box and that hostages were being held. When I got the page I responded home to get my unmarked Crown Victoria city vehicle which is outfitted with lights/siren. I responded to the CP (command post) location which was on the East side of the Raleys at Julliard/Folsom Blvd. Once there, I dressed into my SWAT uniform and put on my gear. My uniform consists of camo pants/shirt, tactical vest. I had a handgun in a thigh rig (Sig P226 40 cal), a med bag on my left leg because I'm an EMT, a ballistic helmet, radio/ears and a Colt M-4 rifle. That is a .223 caliber rifle. The rifle has an Eotech holographic sight and a fore-end mounted light.

When I arrived at the CP I received a quick briefing from Sgt Brown. At that time it was just me and Ofc. Edgerton (SWAT). At that time things were very active and people were getting in place. I was told that it was a takeover robbery at the Jack in the Box and the suspect was still inside. He was believed to be armed with a handgun. They knew that there was hostages but they didn't know the exact number but at that time we believed that there were multiple hostages inside. Sgt Brown told me that I was going to be assigned to be "high cover" in the Bear-Cat armored vehicle. I asked Sgt Brown if we had an AR-10 rifle, which is a .308 caliber rifle. I was informed that we did and I made sure that rifle was in the armored vehicle. As Ofc. Edgerton and I were leaving the CP in the armored vehicle we were called back to load up some breaching equipment such as some window breaking stuff and a ram for the doors. We loaded that into the armored vehicle and then responded to the scene.

As we approached the scene we originally parked along the north side of the Jack in the Box where the Peace Keeper (armored vehicle) was parked. We originally thought that was where we needed to be and we were going to give the breaching equipment to the hostage rescue team that had been established along the East wall of the building. But what we did was back out of that location and went to the East side and the hostage



# SACRAMENTO POLICE DEPARTMENT

## PUBLIC HARDCOPY

### RELEASED PER PUBLIC RECORDS ACT REQUEST

GO# SA 2012-332558 CLEARED  
EXCEPTIONALLY

1315-19 245(A)(1)AWDW-NON-FIREARM

Follow Up Report # SA 1

rescue team came to us by taking cover behind the Bear-Cat. We then proceed to drive a little bit more south so we could get a better view in through the windows from the East side. We parked there and my job was to provide high cover, lethal cover into the building. I positioned the turret's large bullet proof structure in a position to provide me cover and put my rifle through the hole in case I needed to shoot from that platform.

At that point the hostage rescue team had got themselves into a position behind the Bear-Cat. Lethal and less lethal options were put in place over the hood of the Bear-Cat.

From my position I could see through a single glass door along the East wall. What I could see beyond the door was a significant portion of the front counter area of the business. I could not see the far wall (west wall) due to the glare as a result of the time of day. From communication with the other SWAT officers who were in a different position, I learned that just to the right of the door there was a hallway which they could see more of from their vantage point. Off to my left, over the hood of the Bear-Cat, I could see Ofc. Edgerton (SWAT) and Ofc. Griffin (SWAT). I believe that they both had lethal cover.

Initially there wasn't really anything going and we sat for awhile. We were giving rules from our SWAT commander in terms of what we could do in certain circumstance. If the hostage taker were to come out of the building we were told that he was not allowed to re-enter for the sake of saving the lives of the hostages inside. We could use lethal, less than lethal, or any means necessary to prevent him from going back inside. Additionally, I could hear the communications from the hostage rescue team behind me establishing a plan of action for different scenarios. At some point it was broadcast over the radio that there was communication into the building via some sort of open line with the actual hostage taker or the hostage. I had heard that the hostage taker did make a threat that if the hostage did anything stupid he would kill her obviously heightening our concern for her life and safety. At some point there was some communication that the suspect wanted to go to the bathroom and the hostage was going to attempt to exit the building at that point if he went into the bathroom.

Prior to receiving this information about him wanting to use the bathroom an East Indian woman came to the East door and had her hands kind of out in front of her. Officers by the Bear Cat gave her instructions to come outside. She opened the door and came outside. She was given commands to run but possibly due to a language barrier, she slowly walked to the Bear-Cat. Once she got to the Bear-Cat I could hear the other officers trying to debrief her and gather intelligence about what was going on inside. There was a language barrier but she did indicate that there were additional hostages and there was one, maybe two, armed suspects. She was later further interviewed and it was learned that there was one remaining hostage inside the building and one suspect inside with a handgun.

So, after she had come out we learned that the suspect was possibly going to be coming out to use the bathroom and the additional hostage was going to try and exit. When we saw the hostage present herself in front of that same door (east door) I could see her look off to the right with her back to me. She appeared to be in communication with somebody else. It was at this time I could see the suspect walk into my view but he was on the opposite side of the hostage so I could not see clearly but I could tell that he was a male Asian with long



# SACRAMENTO POLICE DEPARTMENT

## PUBLIC HARDCOPY

### RELEASED PER PUBLIC RECORDS ACT REQUEST

GO# SA 2012-332558 CLEARED  
EXCEPTIONALLY

1315-19 245(A)(1)AWDW-NON-FIREARM

Follow Up Report # SA 1

hair and no shirt on. I could also see that he had a gun in one of his hands. I don't recall which hand it was in but it was in plain view and he was holding it in the area of his chest. I was extremely concerned for the life of the hostage at that point. My fear was that she was trying to exit and he saw her and he was going to kill her right there. If I had the opportunity at that point to shoot him I would have but the opportunity was never presented. Due to her body positioning she was always in the way.

We had already talked about the rules of engagement and the fact that if he exited, he would not be allowed to go back inside and also that if we had a clear shot of him inside the building that we had permission to shoot him with regard to the safety of the hostages. All of us were very concerned about the life of the hostage and that was our primary concern.

He (suspect) was very casual in the manner in which he walked around and didn't seem concerned about us (Police) but I could tell that there was some sort of dialog going on between him and hostage and it appeared hostile to a certain extent. At some point he grabbed, well I'm not sure if he physically grabbed her but he directed her back to the north side of the interior of the building and I lost sight of both of them.

Some time went by, I'm not sure how much time, but there was some talk on the radio that the suspect was considering coming out of the business and giving himself up. There was also some discussion that the back door (of the business) had been wired shut. With that information there was a heightened concern that he may come out of the back door. I don't recall how much time went by, but the same female hostage had again come into my view through the door that I was covering. I saw her for a short period of time and then I saw the suspect re-enter my view, kind of in the same place that he was before, behind her. I observed this to be the same male Asian with long hair and no shirt on with a gun in his hand. I became extremely concerned at that point again that he was going to shoot the hostage but still at that point had no shot. She was blocking my view of him and I was not in a position to shoot him.

Next, I heard two shots, that I believe were the sniper shots. The shots were off to my left, the south side of the building. After these two shots the hostage remained in between me and the suspect for just a brief moment before she moved off to my right towards the hallway that leads you towards the bathrooms. This opened up my span of view. What I expected to see was the suspect falling to the ground but what I saw was him turn away from me and he appeared to me to be getting ready to run towards the west side of the building. There is a door over there. I was still concerned for the life and welfare of the hostage so I moved my finger from the side of my rifle to get ready to shoot. As I was doing this, I heard two gunshots from my left, presumably from over the hood of the Bear-Cat. And then my weapon broke and I fired one round through the glass towards the suspect at his back. My concern was still for the safety of that hostage. He still had the gun when he turned away from me and I didn't know at that point if he had been shot or injured or not. Immediately after I fired I could see movement from my right side which was the hostage rescue team. We had already made plans that upon any shots being fired into the building at the suspect the hostage rescue team would be making entry. I then put my weapon on safe and brought my muzzle up away from the direction of the door.

At about the same time the hostage rescue team was getting to the door, I could see the hostage coming to the door. One of the SWAT officers grabbed her and pulled her out while the rest of the team made



# SACRAMENTO POLICE DEPARTMENT

## PUBLIC HARDCOPY

RELEASED PER PUBLIC RECORDS ACT REQUEST

GO# SA 2012-332558 CLEARED  
EXCEPTIONALLY

1315-19 245(A)(1)AWDW-NON-FIREARM

Follow Up Report # SA 1

entry into the building. At this point I could see that the suspect was laying down on the ground inside the restaurant. One or two flashbangs were deployed inside as a distraction for the suspect and he was taken into custody/handcuffed on the floor. After he was taken into custody, medical aid was requested to come into the scene.

At the time of the shooting it was still daylight out and I would estimate the distance I was from the suspect to be 20-25 yards. I was aiming at the suspect's back when I fired. The suspect was running westbound through the building when I shot. The hostage was moving northbound. When I fired I believed he still had the gun in his hand because it was in his hand before he turned and I never saw it drop or anything to make me think otherwise.

( I exited the room and returned a short time later and asked Sgt Green to try to the best of his ability to tell me how much time was passing between gunshots).

It all happened really quick. I heard the two rounds being fired from what I thought was the snipers. Almost immediately I saw the hostage duck and pause for a second before she turned to the right. Her reaction (to the gunshots) was almost immediate. Within a second, as she was moving away from the suspect I had a clear view of the suspect turning and running away. Another second probably went by before I pulled the trigger. I was still in fear for her life because he still had the gun and he was still in the building with the hostage. Immediately before pulling my trigger and feeling the recoil of my weapon I heard the rounds go off to my left which I believe came from Ofc Edgerton and Griffin. We all three (Edgerton, Griffin and Green) fired almost simultaneously.

It was told to us that there was the one hostage still inside the business and I had only seen the one hostage. It is however possible that the information isn't always exact. Although the information was coming from inside (the business) there certainly could have been more than just that one hostage. Initially the information was that there was multiple, then there was information that there was a few. So when a few of the hostages exited they were debriefed. One of the hostages had said that there were two or three still inside. There is always a concern that the information we have isn't entirely accurate. When we take a shot like that it isn't just for that one hostage that we see but potentially for any hostage in that building that we don't know about who he has access to.

I also knew that there was a door on the west side of the building that he could have exited from. Had he exited from that door he could have posed a threat to the officers on that side of the building.



**SACRAMENTO POLICE DEPARTMENT**

**PUBLIC HARDCOPY**

**RELEASED PER PUBLIC RECORDS ACT REQUEST**

**GO# SA 2012-332558 CLEARED  
EXCEPTIONALLY**

**1315-19 245(A)(1)AWDW-NON-FIREARM**

**Follow Up Report # SA 1**



# SACRAMENTO POLICE DEPARTMENT

## PUBLIC HARDCOPY

### RELEASED PER PUBLIC RECORDS ACT REQUEST

GO# SA 2012-332558 CLEARED  
EXCEPTIONALLY

1315-19 245(A)(1)AWDW-NON-FIREARM

Follow Up Report # SA 1

#### Narrative Text Report # 15

Document: **02 WITNESS STATEMENT**

Author: **602 - MACLAFFERTY, SCOTT 3065**

Subject: (SUBJECT #3) [REDACTED]

Related date/time: **Dec-11-2012 (Tue.) 1437**

On 12/11/12 at approx. 1437 hours, I (Det. MacLafferty) spoke with [REDACTED] over the telephone. This interview was digitally recorded and I later transferred it to a CD and booked it into evidence. [REDACTED] said the following in summary.

I am hearing a lot of stories of what happened from what I have seen on the TV and I want to know what the real story is.

I am Xang's ex-girlfriend and I am the victim of a domestic violence from him when he was acting crazy and on drugs. We were married in the Hmong tradition but not legally here. The violence started in 2002 and we had a daughter together. We were fine for a long time until he started having anger problems and doing drugs. He really lost his mind once when he came to my house to pick up our daughter. He shut the door behind our three year old daughter [REDACTED] and he beat the crap out of me for a good 15 minutes. I lost consciousness and I woke up in the hospital. I reported this incident (2006) and he was arrested. At that time, I was not with him. He has hit me a lot of other times. After this incident, I got into the drugs also and when I cleaned up I told him that he had to get cleaned if he wanted to see our daughter. He would call me constantly and when he was on meth he was crazy. We haven't been together since 2004.

I have never seen him physically do meth but I knew when he was on it. The last time that I actually saw him was a month ago and I spoke with him on the phone last week. He wanted to talk to our daughter. I haven't seen him get violent in a long time. I found out that he was taking medication from his family but when I was with him he was not under the care of a doctor or psychologist. He did clean up and he looked good and he was coming around again to see his daughter. The last time that I saw him a month ago I could tell that something was wrong. He had a blank look on his face and he had his brother and his brother's girlfriend with him so I let her go with him. I picked her up and he didn't come outside to see me at all.

Xang was not working and he would get rides from people to get around. He is not social, very shy, and he spent most of his time just taking care of his nephews or nieces. He didn't have a cell phone.

A few years ago I could have pictured him doing this but he has been doing so good. I didn't know that he was seeing a psychiatrist or taking medication now.

I don't know how he would get over to the Jack in the Box from his house in Oak Park. Somebody had to have dropped him off over there. I used to work at Jack in the Box and I don't know if he was jealous of my boyfriend now. I worked at the Jack in the Box at Stockton and Fruitridge by the DMV but I don't work there any more.



**SACRAMENTO POLICE DEPARTMENT**

**PUBLIC HARDCOPY**

**RELEASED PER PUBLIC RECORDS ACT REQUEST**

**GO# SA 2012-332558 CLEARED  
EXCEPTIONALLY**

**1315-19 245(A)(1)AWDW-NON-FIREARM**

**Follow Up Report # SA 1**





# SACRAMENTO POLICE DEPARTMENT

## PUBLIC HARDCOPY

### RELEASED PER PUBLIC RECORDS ACT REQUEST

GO# SA 2012-332558 CLEARED  
EXCEPTIONALLY

1315-19 245(A)(1)AWDW-NON-FIREARM

Follow Up Report # SA 1

#### Narrative Text Report # 16

Document: **02 WITNESS STATEMENT**

Author: **463 - JASPERSON, KYLE 0440 (██████████)**

Subject: **INTERVIEW OF SWAT OFC. DAVIS**

Related date/time: **Dec-11-2012 (Tue.)**

On 12-8-12 at approx 2137 hours, SWAT Ofc. Andy Davis and I entered interview room #4 at SPD Headquarters for the purpose of conducting an interview with him regarding a critical incident/officer-involved shooting (OIS) that he was involved in this afternoon. Ofc. Davis' attorney (Jeff Edwards) was also present for this interview. The interview room was audio and video recorded.

I first conducted a round count of Ofc. Davis' duty handgun (SIG Sauer P226 .40 caliber). It was not believed that Ofc. Davis actually fired this particular gun. However, a round count was done to confirm this. During the round count, I counted one round in the chamber and 12 rounds in the 12-round magazine, which would mean this gun was fully loaded with no rounds missing. This gun was immediately returned to Ofc. Davis.

(Note: It was believed that the gun that Ofc. Davis fired was his duty rifle. However, a decision had already been made by management to leave this gun in place at the scene and do the round count there after documenting its position. I was not involved in that. Refer to the scene detective's supp for details.)

I subsequently began my interview of Ofc. Davis regarding the incident. During this interview, he told me the following in summary:

I have been an officer with the Sacramento Police Department for approximately ten years. I am currently assigned to the Metro Division SWAT Team 10. I have been assigned there for approximately one year. Prior to that, I was assigned to the South POP unit for approximately five years.

On the SWAT team, I have a role as a breacher. I was also just certified as a rappel master. Those are my two duties, along with being a fully certified member of the SWAT team.

I was off-call today because I was at rappel master training in San Francisco. Myself and (SWAT) Ofc. Griffin just arrived back in town at approximately noon. I picked up my vehicle at 300 Richards (Blvd) and then drove home. It was shortly after that when I got the (callout) page from the Comm Center.

I saw the text on the page and knew it was a serious callout. I was already wearing some of my tactical gear from the class that I had this morning. I went out to my trunk and made sure that I had my load-out kit ready. Then I got in my vehicle and went (to the callout).

The load-out kit is the equipment I bring with me to callouts - my tactical vest, a drop holster, a rifle, and helmet.

The text I got (from the Comm Center) said it was a SWAT/HNT callout for a 211 (robbery) with a hostage situation at the Jack in the Box on Folsom Blvd.



# SACRAMENTO POLICE DEPARTMENT

## PUBLIC HARDCOPY

### RELEASED PER PUBLIC RECORDS ACT REQUEST

GO# SA 2012-332558 CLEARED  
EXCEPTIONALLY

1315-19 245(A)(1)AWDW-NON-FIREARM

Follow Up Report # SA 1

As soon as I got in my vehicle, and it was safe to do so, I used my handheld radio to advise dispatch that I was enroute. I made this advisement on (radio) channel 1 because one of the texts I got said that the callout was operating on channel 1.

[I asked Ofc. Davis if he received any additional information either prior to responding, or while responding, about the incident itself.] Just the texts I had received by pager.

There was information on the texts that the CP (Command Post) was going to be located at the east end of the Raley's parking lot off Julliard (Dr) from Folsom (Blvd). That is the location I went to. I don't recall what time I got there, but I know that I was the first SWAT officer there at the CP location. Lt. Joy (incident commander) was also there.

After I got there, I started getting all of my gear on and getting situated. I saw (SWAT) Ofc. Doug Rosin arrive at my location, followed by (SWAT) Ofc. Robbie Young. I was also monitoring (radio) traffic on channel 1, and I could hear that other officers were arriving closer to the actual scene. So we got our (equipment) kits ready and started to work our way towards their location.

[I asked Ofc. Davis if he received additional information about the incident once he arrived on scene. For instance, was there some sort of briefing or did he speak with other officers.] Yeah, I spoke with Ofc. Rosin, and he was communicating - I believe - with (SWAT) Ofc. Walters who was trying to form a contact team at the location in case we had to make a hasty rescue of the hostages. He advised that he was going to be making his way over there with a breaching shotgun. Myself and Ofc. Robbie Young also made our way on foot over to that location.

[I asked Ofc. Davis what information he had, if any, about the hostages and how many there were.] I didn't know how many there were. I just knew that it was a hostage situation.

[I asked Ofc. Davis if he had any information or intel on who the suspect(s) might be.] No.

[I asked Ofc. Davis if he did not have a briefing once he arrived at the scene, and instead just went to his assigned location.] Correct.

[I asked Ofc. Davis where his particular assignment was.] I took Ofc. Robbie Young and we made a safe approach to the building just to the east of the business (Jack in the Box), which I believe is a sushi restaurant (Umeko Buffet, 8353 Folsom Blvd). From the back side of that business, I made eye contact with Ofc. Walters who was staged with a contact team along the east wall of Jack in the Box. I radioed to him (Ofc. Walters) that he had two officers to east of him, and I asked him where he needed us. He wanted me to make my way around to the back side of the business and check the "two-three" corners, and also the "one" corner, to make sure that we had coverage and that there were officers with patrol rifles in place.

Ofc. Robbie Young and I made our way safely around the business and coordinated with the resources to make sure they were set in place. I left Ofc. Robbie Young at the back side of the business - the "three" side. He



# SACRAMENTO POLICE DEPARTMENT

## PUBLIC HARDCOPY

### RELEASED PER PUBLIC RECORDS ACT REQUEST

GO# SA 2012-332558 CLEARED  
EXCEPTIONALLY

1315-19 245(A)(1)AWDW-NON-FIREARM

Follow Up Report # SA 1

stayed with one of the patrol rifle (team) members there. There was another patrol officer with a rifle further east, and this was along the businesses directly behind the Jack in the Box. I went from there to a business that was directly west of Jack in the Box where I came into contact with Sgt. Lommori and another patrol officer. They had a view on to the "two" side, which was the furthest west side, kind of where the drive-thru window is at. However, I could see that we didn't have any coverage from the "one" side - from Folsom Blvd.

I radioed to Ofc. Walters that we were seeking to get coverage on that (the "one" side). There was a lot of glass on the front ("one") side so it was very open. There was not a lot of cover - no cars or natural barricades or anything that we could use out front.

At that time, K-9 officer Linda (Matthew) arrived on scene. She approached westbound on Folsom Blvd. I coordinated with her, and Sgt. Lommori did as well, over the radio on where to position her vehicle. She positioned her vehicle approximately lined up with the "one-two" corner of the business with her vehicle being on Folsom Blvd. Folsom Blvd is elevated from the business and it gave us a slight bit of high cover into the business.

I then coordinated with the patrol officer who was with Sgt. Lommori to have him slowly drive his vehicle along the front of the businesses towards Jack in the Box, and I used cover behind his vehicle until I got to approximately the area where Linda's (K-9) car was at. At that time, I ran up the moat (grass area along the south side of the shopping center) and got behind her patrol vehicle and positioned myself over the hood using the engine block as cover.

[I asked Ofc. Davis what weapon(s) he was equipped with.] I had an AR-15 M4 .223 caliber rifle. It's both semi-automatic and fully automatic capable. And I had my (SIG Sauer) P226 .40 caliber sidearm (referring to the gun I previously did the round count on). Both are department-issued and approved guns, and I train with both of them regularly.

[I asked Ofc. Davis if there was anyone else with him at Ofc. Matthew's patrol car.] Just Linda (Matthew) and her dog. She was still in the car when I got to her, but her position wasn't quite right. So I had her move her car and cant it so we had a little better protection. After she did that, I had her get out of the car and she got cover behind her vehicle.

[I asked Ofc. Davis if, when he was passing by the windows of the business, he got a look inside to see who was in there or what was going on.] I was looking into those windows, but there was a little bit of a glare. I could not see anything in the front eatery or the lobby area of the business. But I was also crouching behind the car trying to use cover.

[I asked Ofc. Davis what he believed was going on inside the business, or what information did he have about what was going on in there.] Based upon the texts that I had received, and the radio traffic that I heard, I assumed that an unknown number of suspects had attempted to rob the business. I believe they (the suspects) were surprised by a patrol officer. It (the robbery) then turned into a hostage situation. I did not know how many hostages were in the business, or even where they were located. Based upon what I could see, and from what



# SACRAMENTO POLICE DEPARTMENT

## PUBLIC HARDCOPY

### RELEASED PER PUBLIC RECORDS ACT REQUEST

GO# SA 2012-332558 CLEARED  
EXCEPTIONALLY

1315-19 245(A)(1)AWDW-NON-FIREARM

Follow Up Report # SA 1

other officers were able to see in the business from the front windows, it did not appear that they were within that eatery area (on the south side of the business).

[I then asked Ofc. Davis to continue telling me what happened after he positioned himself behind Ofc. Matthew's patrol vehicle.] From my position, I had some glare on the windows (of the business) and it was hard to see in.

But there was a view I had of a door which was just in front of the take-out window, which no other officer was really able to cover at that point. So I maintained my position there. That was still kind of on the "one-two" corner. The front of the business was all glass with no entry doors into the business (on the front side). It then had a sharp corner, and then it broke out into another corner which had a small glass doorway and an entrance into the building.

We received a series of radio traffic at one point. A patrol officer (Ofc. Howland) started broadcasting on air that she had an open line into the business. I did not know if this was an open line that we were able to obtain through dispatch, or if it was a hostage with a cell phone. But she (Ofc. Howland) was relaying information that she could hear the suspect in the business saying that he was going to kill a hostage if they tried to get away. He also made statements that he had to stay away from windows because he was afraid that police would shoot him if he was near windows, and he made a statement that if the police tried to enter the business then he was going to kill the hostage or hostages.

[I asked Ofc. Davis how long he was at Ofc. Matthew's car.] At least an hour, or hours. It was hard for me to tell.

[I asked Ofc. Davis if he was continuing to receive information while at Ofc. Matthew's car.] Yes.

[I asked Ofc. Davis where most of the information that he was receiving was coming from, and if it was over the radio.] Yes. That information that I just relayed (about the statements made by the suspect which were heard over the open line) came from a patrol officer, I believe a female officer (Ofc. Howland) with a Bravo identifier (1Bravo11). It was over the main radio channel.

At some point, a female appears. I assume from the back of the business. Linda (Ofc. Matthew) was at the back trunk of her patrol car and she could see more clearly into the business, and she told me that someone was walking out. At that time, I heard other members from my team that were at the Bear Cat (SWAT vehicle) now in place on the east side, or "four" side, of the business yell that they had "contact". This means that they had contact or saw some movement within the business.

[I asked Ofc. Davis if the female (who he said appeared) was still inside the business or if she made her way to the exterior of the business.] I heard Linda (Ofc. Matthew) say that someone was coming out, and then I heard them (other SWAT team members) say "contact". I could see a figure of some kind moving through (the business), but my view at that location where I was at on her (Ofc. Matthew's) vehicle had a decent amount of glare and I couldn't tell even what type of person it was.



# SACRAMENTO POLICE DEPARTMENT

## PUBLIC HARDCOPY

### RELEASED PER PUBLIC RECORDS ACT REQUEST

GO# SA 2012-332558 CLEARED  
EXCEPTIONALLY

1315-19 245(A)(1)AWDW-NON-FIREARM

Follow Up Report # SA 1

Then I heard radio traffic that a hostage had come out and they (officers) had grabbed her and were in the process of debriefing her.

[I asked Ofc. Davis if there was any additional information learned from this hostage that he was made aware of.] Yes. I guess there was some issues with communication, either due to her being startled or a language barrier, but they eventually received information from her that there was one additional female hostage in the business and there was one hostage-taker (suspect) and they were somewhere in the back of the business. The information was being relayed from, I believe, our watch commander, Lt. Watson, and also (SWAT) team leader Sgt. Brown. There was information that they (hostage and suspect) might be in the "two-three" corner of the business. It was also broadcast at one time that the suspect was talking about gaining access to the roof of the business.

[I asked Ofc. Davis if there was any specific information learned, that he was made aware of, about who the suspect was or anything about him.] Later on in the callout, yes. Later on in the callout after she (one of the hostages) was debriefed, we started to receive some information. Well, the first time I heard his (the suspect's) physical description was when Linda (Ofc. Matthew) actually saw him. She relayed that information (about the suspect's physical description) to me. She said he was a short male Asian with long hair and he wasn't wearing a shirt. And she was adamant that she had a clear view from her location at the trunk (of her car).

[I asked Ofc. Davis if he received any information about the suspect having any weapons.] Yes. It was broadcast several times that he (the suspect) was armed with a gun. Certainly (it was broadcast) from the initial debrief of the first hostage.

[I asked Ofc. Davis what happened next, after the female hostage was debriefed.] It was some time after that, we were getting information when Linda (Ofc. Matthew) had observed him (the suspect), and prior to that there was information broadcast by Sgt. Brown that they received information that the suspect was going to attempt to use the bathroom or needed to go to the bathroom.

[I asked Ofc. Davis if he knew where that information came from.] I don't. Sgt. Brown said that it was something that, I guess, he initially wasn't going to broadcast. But then he decided to broadcast it over the main (radio) channel since we had 360 (degree) coverage over the business and he wanted all the team members to know what was going on in case the suspect made himself visible to SWAT members.

He (Sgt. Brown) received information about the bathroom trip and he also relayed information that when this bathroom trip occurs that the last hostage - so I'm assuming that maybe there was contact with this last hostage or whatever hostage was in there - that she was going to attempt to possibly escape when he (the suspect) did this.

Not long after that is when Linda (Ofc. Matthew) observed the suspect and a female too - which I presumed to be the hostage - move somewhere in the hallway which was just in front of our view. Our view into the business was of the eatery, the front counter of the business with the (cash) registers, and then there was a door off to the east where the Bear Cat was set up and from that door there was a short wall and then possibly a hallway that went into the back of the business and maybe the bathrooms. That (hallway) was more to the east side of the counters.



# SACRAMENTO POLICE DEPARTMENT

## PUBLIC HARDCOPY

### RELEASED PER PUBLIC RECORDS ACT REQUEST

GO# SA 2012-332558 CLEARED  
EXCEPTIONALLY

1315-19 245(A)(1)AWDW-NON-FIREARM

Follow Up Report # SA 1

At some point the male and female appeared there (the hallway), and - according to other team members that broadcast over the radio - went into the bathroom.

[I asked Ofc. Davis if both the female hostage and male suspect went together to the bathroom.] That's what I was told, yes.

The sniper relayed suspect information and stated that he (the sniper) was unable to get a clear shot at that time - that their proximity to each other (between the suspect and hostage) was (too) close. Not long after that, Lt. Watson clarified a reactive authority - that if the suspect were to show himself and we had a clear safe shot at the suspect that would not endanger the hostage - that we would take that shot because he (the suspect) posed an imminent threat to her (the hostage) and he had threatened to kill her and was armed with a gun. And, by all means, they believed that he (the suspect) was going to carry out that threat.

It was then relayed again by Sgt. Brown that the suspect was a male Asian with long hair and no shirt on. After that, he (Sgt. Brown) started relaying plans for a sniper-initiated assault. If we were to get a shot, after the sniper shot was away (fired) the contact team that was staged on the east end was to make entry with a flash bang (non-lethal device used to disorient/distract) for a rescue of the hostage. He also advised all perimeter units to know your field of fire, know which weapon you were carrying and its distance, and know your effective range. At that time, I made sure to move to Linda's (Ofc. Matthew's) side (of the vehicle) where she clearly had a better view into the business. Even though the cover (from this alternate position) was not as good, I had a clear view in case the suspect were to show himself.

[I asked Ofc. Davis what area it was he moved to.] That was at the trunk of her (Ofc. Matthew's) vehicle. I got to that trunk and was able to cant my rifle in a way where I could get a sight picture on my Eotech (holographic rifle sight) that was between some railing bars that were in between Folsom Blvd and the lowered portion of pavement where the businesses were. I had a clear view into the business. I could see a poster or a picture of a hamburger and a space in between that - I don't know if it was a hallway or what - and a picture of the Jack character from the Jack in the Box.

The Eotech is a holographic sight for my rifle. It has no magnification. It is zeroed at 50 yards. I estimated my distance there to be anywhere from 50-60 yards at that point.

[I clarified with Ofc. Davis that just because his rifle is zeroed at 50 yards, that doesn't necessarily mean it is only effective up to 50 yards.] Correct. It means that I know where my MOA (minute of angle) is, or where my round is going to hit at 50 yards. But of course we train to shoot further than that.

I immediately started orienting myself with where she (Ofc. Matthew) had seen the suspect and the hostage within the business in relation to things I was seeing in the business. She (Ofc. Matthew) told me that when she did see them they appeared in between the two pictures that I described - the hamburger and the Jack character. I again looked through my rifle sights and made sure I had a clear sight picture into there and could clearly see into the business. And I did (have a clear sight picture).



# SACRAMENTO POLICE DEPARTMENT

## PUBLIC HARDCOPY

### RELEASED PER PUBLIC RECORDS ACT REQUEST

GO# SA 2012-332558 CLEARED  
EXCEPTIONALLY

1315-19 245(A)(1)AWDW-NON-FIREARM

Follow Up Report # SA 1

I don't know how long it was after that, but I then heard, I believe it was Sgt. Brown or someone from that element - maybe it was a sniper - saying "There's movement, there's movement" or "He's out". I don't remember exactly what it was (that was said). At that point, I observed a female coming out from in between those pictures (of the hamburger and Jack character). She immediately went to her left towards the east door, towards the Bear Cat. I did see her raise her hands. Just after her I observed the male Asian described with long hair and no shirt in pursuit of her. He had something in his hand, presumed to be a gun or handgun. I couldn't distinctly see from there, but it appeared to be a weapon and he (the suspect) appeared to be in pursuit of her (the hostage).

At that point, I clearly feared for the life of the hostage and believed that he (the suspect) was going to take that shot (at the hostage) based upon the threats that he had made and based upon the fact that he was armed. And, with the reactive authority and my belief that he was going to kill the hostage, I fired one round at his center mass.

I fired the one round from my rifle. I did not fire any subsequent rounds after that.

Just prior to breaking my shot, I had my weapon off safe and I was pulling slack on the trigger. I had him (the suspect) in my Eotech (sight). As I was pulling slack on my trigger I heard a bang. I recognized the bang, from my training and experience, as a heavier load round - maybe a .308 (caliber round). I believed it to be the sniper shot. I saw the suspect jump to his right, which would be towards the west of the business. I tracked him slightly with my Eotech and I was breaking my shot at the same time.

[I asked Ofc. Davis if the suspect was still standing up when he fired.] Yes.

[I asked Ofc. Davis what the suspect did after he fired.] My shot spidered the window and obstructed my view. I kind of lost view at that point. I came off my weapon and moved my position back to the front hood of the vehicle behind the engine block where I could see into the business. Even though it was obstructed by the glare (from this position at the hood of the car), I had a better view (than from the rear of the vehicle now that the window was shattered).

[I asked Ofc. Davis what he saw then.] I could see the team moving in. I could not decipher who went where, but I could see our (contact) team move in. I did see the flash bang percussion grenade go off in the business upon their entry as well. That (the flash bang) might have happened while I was still moving from the rear (of the car to the front of the car). I don't know the (exact) timeline on that.

[I asked Ofc. Davis if they (SWAT) train to shoot through glass.] Yes we do. But it's not an exact science.

[I clarified with Ofc. Davis that he was aware that bullets were still effective through glass.] Yes. I have debriefed similar callouts, although on a larger scale like the Good Guys scenario (a hostage scenario where shots were fired through glass), and similar situations.



# SACRAMENTO POLICE DEPARTMENT

## PUBLIC HARDCOPY

### RELEASED PER PUBLIC RECORDS ACT REQUEST

GO# SA 2012-332558 CLEARED  
EXCEPTIONALLY

1315-19 245(A)(1)AWDW-NON-FIREARM

Follow Up Report # SA 1

[I asked Ofc. Davis if he took any further action.] Once I heard the suspect was in custody and the business was all clear and the ambulance was moving in, I helped the ambulance orientate itself with the business so we could get rescue on the way for the hostage-taker. I believe fire and medics were already staged.

I then made my way into the business where other team members had the suspect in custody and, I believe, Ofc. Edgerton and - it could have been Ofc. Chandler or some of our other medics - were starting to provide aid to him (the suspect).

[I asked Ofc. Davis, just so I was clear, what his reason for shooting was at the time he took his shot.] The reason is because I believed that he (the suspect) was going to kill the hostage, which was the female that I saw just in front of him. She appeared to be attempting to flee the business to get away from him and he was in pursuit of her.

\*NOTE: I then took a break and stepped out of the interview room briefly. When I returned to the interview room, I asked Ofc. Davis to draw a rough sketch where he was positioned (approximately) in relation to Jack in the Box. He did this. He drew the Jack in the Box restaurant and an object that represented Ofc. Matthew's patrol vehicle parked on Folsom Blvd (to the south of the Jack in the Box). He also drew an "X" near the rear of this patrol vehicle to indicate where he was when he fired his shot. At my request, Ofc. Davis then drew where the female hostage and the male suspect emerged from the hallway area within the business and were located (approximately) when he took his shot. This was indicated by two lines he drew that essentially paralleled each other on the sketch, with one of the lines (representing the female hostage) being longer and ultimately deviating towards the door on the east side of the business. The shorter line next to the longer one was representative of the male suspect's path. (Note: This sketch was not meant to be, nor should it be considered, an exact diagram or reflection of exactly where objects/people were located. It is also not to scale. The purpose of requesting this sketch from Ofc. Davis was merely so that I, and other monitors of the interview, could have something to help us visualize/understand what Ofc. Davis was describing in his interview.)

[I asked Ofc. Davis if he could recall where on the suspect's body was he looking at (when he had the suspect in his sights).] It appeared to be kind of the side, but then when he turned (referring to when the suspect turned to his right, possibly in response to the stimulus of one of the other shots that were fired) I kind of got either a front or back profile.

I heard the shot (referring to the shot that just slightly preceded his, possibly from the sniper) and I'm assuming that he (the suspect) was going off that stimulus (when he moved to his right) because he moved just prior to me breaking my shot.

[I asked Ofc. Davis if he took his shot before or after the suspect turned.] He (the suspect) was moving, or had just moved, when I took my shot. But he wasn't continually moving. It was like a jump.

[I asked Ofc. Davis if the other shot he heard (possibly from the sniper) was right around the same time that he took his shot.] Yeah, (the other shot was) just prior to my shot.





**SACRAMENTO POLICE DEPARTMENT**

**PUBLIC HARDCOPY**

**RELEASED PER PUBLIC RECORDS ACT REQUEST**

**GO# SA 2012-332558 CLEARED  
EXCEPTIONALLY**

**1315-19 245(A)(1)AWDW-NON-FIREARM**

**Follow Up Report # SA 1**

\*NOTE: The interview then concluded. The sketch drawn by Ofc. Davis was later scanned into this report, and was ultimately booked into evidence along with the DVD recording of the interview.



# SACRAMENTO POLICE DEPARTMENT

## PUBLIC HARDCOPY

RELEASED PER PUBLIC RECORDS ACT REQUEST

GO# SA 2012-332558 CLEARED  
EXCEPTIONALLY

1315-19 245(A)(1)AWDW-NON-FIREARM

Follow Up Report # SA 1

### Narrative Text Report # 17

Document: **02 WITNESS STATEMENT**

Author: **3178 - RICHARDSON, S 0621** (██████████)

Subject: **(SUBJECT #1)** ██████████

Related date/time: **Jan-03-2013 (Thu.) 1429**

Interview: ██████████

On 12/08/12 at approx. 1940 hours, I (Det. Richardson) spoke with (W) ██████████ at 4510 Orange Grove (SSD Detective Division). This interview was audio/video recorded and available for review and transcription. I later booked a copy of the DVD into evidence. (W) ██████████ stated the following in summary.

My name is ██████████ and my birthday is ██████████. My address is ██████████ in ██████████. My cell phone number is ██████████. My cousin is ██████████, we call her ██████████. ██████████ dad and my dad are brothers.

I was home with my mom when my grandmother called. I took the phone from my mother because my grandmother was trying to tell my mom what happened with ██████████. All my grandmother was saying was, "██████████ store, ██████████ store" my grandma was freaking out and crying. I took the phone from my mom and talked to my grandma. My grandma said, "Someone's in there with a gun and she's in there". We're a close family and we live about ten minutes away from each other. I grabbed my keys and tried to drive to the Jack in the Box, but I couldn't get to the store because the roads were blocked off. I talked to my dad on the phone and he told me to go to ██████████ house. ██████████ and her family live at ██████████). ██████████ parents are managers at the motel and my dad owns the motel.

When I got to the ██████████, Officer Ann Marie was already there. She asked, "Whose phone number the police department was getting calls from?" I told her it was my cousin ██████████ phone (██████████) and that she was being held hostage inside of the Jack in the Box. Officer Ann Marie told me that they know ██████████ is in the Jack in the Box and they don't know how many people are in there with her and that there is a man inside with them and he is potentially armed.

Ofc. Ann Marie asked me to try and call ██████████ phone. The first time ██████████ I called ██████████ she didn't answer. I gave her a few minutes and called her back, ██████████ answered but the phone was in her pocket. I ran over to Ofc. Ann Marie who was listening to her radio and I told her that I had ██████████ on the phone. Ofc. Ann Marie had my cell phone on speaker phone and we could hear a male voice saying, "Don't come near me boy, I'll kill her I'll shoot her." He was just repeating, "I'll kill her, I'll shoot her, I'll do it". He was saying, "Mother fucker, you fucking bitch" and a whole bunch of profanity. I could hear sobbing in the background and I knew it was my cousin ██████████. Ofc. Ann Marie was relaying everything we could hear him saying back over her radio.

While Ofc. Ann Marie was talking to her Sergeant on the phone, she told me to listen to everything that he was saying and to tell her. For a good two minutes I was listening and relaying what he was saying to Ofc. Ann Marie. He was saying, "Stay away from me, I'll kill her, I'll shoot, I'll do it boy, don't test me, I'll do it" He kept repeating those things. I also heard a lot of shuffling and a lot of things being knocked over. Ofc. Ann Marie



# SACRAMENTO POLICE DEPARTMENT

## PUBLIC HARDCOPY

### RELEASED PER PUBLIC RECORDS ACT REQUEST

GO# SA 2012-332558 CLEARED  
EXCEPTIONALLY

1315-19 245(A)(1)AWDW-NON-FIREARM

Follow Up Report # SA 1

ended up taking my phone so I could go inside and help calm down my family. When I came back outside Ofc. Ann Marie said the line had disconnected. Ofc. Ann Marie had me call back. When I called back I got a busy signal, which I thought was odd because cell phones don't go busy, they either ring or go to voice mail. All of a sudden I had a missed call from [REDACTED], like she called and hung up really fast. Ofc. Ann Marie had me call back and this time [REDACTED] answered and she was crying. [REDACTED] was stuttering and shacking, she said, "Hello". I asked her if she was ok. She said, "Yes, just give him two hours and he'll let me go." I asked [REDACTED] if she was ok or if she was hurt? She said, "Yes, but he hit me". [REDACTED] said, "Just give him two hours, he said he'll let me go, tell the police not to come inside or he'll kill me" and she repeated that twice. I asked [REDACTED], "Are you in there by yourself". She said, "Yes, just me and him". I said, "Did he pull the trigger?" She said, "Yes, a few times". I never asked [REDACTED] if he had a gun, I think initially she told her mom or dad when she first talked to them, that's how I knew he had a gun. The whole time she was crying and sobbing a she repeated, "Just give him two hours". At this point Ofc. Ann Marie had the phone and was talking to [REDACTED]. Ofc Ann Marie asked [REDACTED] if she was ok and [REDACTED] repeated, "Just give him two hours". Ofc. Ann Marie confirmed with [REDACTED] and asked her, "Are you in there by yourself?" and [REDACTED] said, "Yes".

I don't know where the gunman was, but he took the phone away from [REDACTED] and started talking to Ofc. Ann Marie. Ofc. Ann Marie said, "My first name is Ann Mare. Can I get your first name?" He wouldn't give it to her. Ofc. Ann Marie said, "I don't understand your request? Two hours for what? To surrender yourself?" He said, "No, I just need two hours". Ofc. Ann Marie said, "I don't understand, you need to work with me so I can let them know what you want". I could hear him saying, "There's too many cops, tell them back off." The phone wasn't on speaker phone, but the volume was all the way up so I could hear what was being said. Ofc. Ann Marie said, "Ok, I'll tell them, but people do a lot of crazy things in life, we all make mistakes. You need to realize that I'm with her family right now and you have them all crying, they're worried about her, she's a sister, she's a daughter, she's a cousin. Ofc. Ann Marie said, "Just by talking to you I can tell you're a good guy, you don't want to do anything". He said, "I'm not going to hurt her". Ofc. Ann Marie said, "Do I have your word". He said, "Yes". Ofc. Ann Marie said, "You want those two hours, I need to tell them a little more about you. My first name is Ann Marie. What is yours? Can you give me your name?" He says, "My name is Xiong". Ofc. Ann Marie asked for his last name and he wouldn't give it up. Ofc. Ann Marie said, "How am I going to get you help if I don't know anything about you. " He said, King or Kang. Ofc. Ann Marie heard King, but I heard Kang. Then Ofc. Ann Marie asked him how old he was and he said, "I'm not going to tell you that and he gave the phone back to [REDACTED].

Ofc. Ann Marie needed to relay the information over her radio, so I asked her if I could talk to [REDACTED] in our language. We speak Gujarati, we're from India. I told [REDACTED] she's going to be fine and I try and calm her down. I ask [REDACTED], "How old is he?" and she says, "I don't know". I told her to look at him and asked her, "How old does he look?" She said, "24 or 25". I told [REDACTED] she would be fine and that we're all here for you. She told me that he wanted her to hang up the phone and then she hung up.

Ofc. Ann Marie asked me to stay there and monitor my phone just in case [REDACTED] or the gunman called back. I stayed there and monitored my phone. My uncle called me and told me another hostage had gotten out and I was confused because [REDACTED] said she was the only one in there. [REDACTED] had told me that she was in the corner, that he had locked her in there and the other girls escaped.



# SACRAMENTO POLICE DEPARTMENT

## PUBLIC HARDCOPY

RELEASED PER PUBLIC RECORDS ACT REQUEST

GO# SA 2012-332558 CLEARED  
EXCEPTIONALLY

1315-19 245(A)(1)AWDW-NON-FIREARM

Follow Up Report # SA 1

Ofc. Ann Marie told me that she gave [REDACTED] phone number to the Sergeant. I went back into the house with my family and Ofc. Ann Marie said she would keep us updated. While I was in the house I could see Ofc. Ann Marie running to the house and she said, "She's out and he's shot." Ofc. Ann Marie confirmed [REDACTED] was ok. Ofc. Ann Marie told me she was heading over to the Jack in the Box and she wanted me to go with her. We went over to the Jack in the Box and she told me I could run over to [REDACTED]. [REDACTED] was holding on to me and she was crying. [REDACTED] was bleeding from her knuckles. I could see that [REDACTED] face was swollen where he hit her in the face. She told me that he hit her, pulled her hair really hard, kicked her in the thigh, slapped her and punched her in the left side of her face. She didn't say how she got the scraps on her knuckles, but I heard she tripped running out of the Jack in the Box.

[REDACTED] also told me that he was trying to be inappropriate with her and that she was afraid that she was going to get raped. She said he kept trying to touch her and was trying to put his lips on her face and whispering in her ear. [REDACTED] told me that she lied to him and said that she was married and had a kid. She said her biggest fear was that she was alone and that he was going to rape her. [REDACTED] told me this after she was out and as she started to calm down. She didn't say it in front of her dad because it's a disgrace in our culture. The only other thing I recall her telling me was that he was smoking and drinking. He said he was on drugs. I told her I didn't want to hear anymore because we weren't supposed to be talking about it. The only other thing I remember her saying was that he took his shirt off and lit it on fire.

I have the times on my phone when [REDACTED] called me and when I called her.

1348 hours: I called [REDACTED] and she didn't pick up.

1355 hours: Had an open line and was listening for 8 minutes.

1407 hours: I called again and got a busy signal.

1408 hours: I had a missed call from [REDACTED], she called and hung up.

1408 hours: Ofc Ann Marie told me to call her back and we had a 9 minute conversation where she said he wants two hours and he'll let me go.

1546 hours: I called her and she rejected my call, that was when the situation was over.

I have no recordings on my phone.



# SACRAMENTO POLICE DEPARTMENT

## PUBLIC HARDCOPY

RELEASED PER PUBLIC RECORDS ACT REQUEST

GO# SA 2012-332558 CLEARED  
EXCEPTIONALLY

1315-19 245(A)(1)AWDW-NON-FIREARM

Follow Up Report # SA 1

### Narrative Text Report # 18

Document: **02 WITNESS STATEMENT**

Author: **999 - TOEL, W 0276** ( )

Subject: (W) ( ) **STATEMENT**

Related date/time: **Feb-13-2013 (Wed.) 1555**

### INVESTIGATIVE SUPPLEMENT:

On 12-8-12, I, Detective Bill Toel #276, (IV113) was tasked with assisting with this case, 12-332558. I have been employed by the Sacramento Police Department (SPD) as a Police Officer since March of 1997. I have been assigned to the Office of Investigations as a Detective since January of 2005. I have been assigned to the Major Crimes Division, Felony Assaults Unit since September of 2012. Currently my primary duties are to investigate crimes, including but not limited to, financial crimes, burglaries, thefts, robberies, assaults and homicides.

At approximately 1935 hours I spoke to (W) ( ) at the Sacramento County Sheriff's Department (SSD) facility located at 4510 Orange Grove Avenue. Due to the large number of interviews taking place simultaneously and due to the need for these interviews to be properly conducted under controlled, recorded conditions, the SSD made their facility available to SPD.

(W) ( ) statement follows in summary. For the full interview please review the audio and video recordings of the interview.

(W) ( ) stated he was having lunch at a Mexican restaurant (Taqueria El Festival, 8345 Folsom Boulevard #119) across the parking lot from the Jack in the Box restaurant with his girlfriend ((W) ( )). As they were eating their food a woman ran into the Mexican restaurant and said to everyone, "We're being robbed. There's a man with a gun at the Jack in the Box where I work at." ( ) said she pointed across the parking lot to the restaurant and continued, "There's people in there that he's pointing the gun at."

( ) told me that upon hearing that he ran out to his car and retrieved his semi-auto handgun. (It should be noted that ( ) is POST Level III certified, possesses a current and valid CCW permit and is a licensed CA Bail Bondsman.) From his car ( ) ran to the back door of the restaurant, where the woman had pointed to. ( ) stated the back door was unlocked and slightly open and he was able to peer inside into a hallway. He saw a female in the hallway standing still with her hands up. ( ) said he just waited there, outside the door. There were two additional people at the back of the restaurant with ( ) and he figured they were employees of the Jack in the Box. One of the employees repeatedly stated, "He's in there, he's in there." ( ) called to ( ), who was close by, to go to the car to get and bring him his (soft body armor) vest. She did so and returned to their car.

After approximately two to three minutes of waiting at the back door ( ) saw a female run past the female who was still standing in the hallway with her hands up and run out the back door. He said he expected the suspect to be chasing the running female but all he saw was the female in the hallway with her hands still up. ( ) told me the female with her hands up just looked petrified.



# SACRAMENTO POLICE DEPARTMENT

## PUBLIC HARDCOPY

### RELEASED PER PUBLIC RECORDS ACT REQUEST

GO# SA 2012-332558 CLEARED  
EXCEPTIONALLY

1315-19 245(A)(1)AWDW-NON-FIREARM

Follow Up Report # SA 1

██████████ stated he kept listening for, and looking to see, the suspect with the gun but he never heard or saw the suspect. With the two employees, one each looking down the sides of the building, ██████████ figured he had the back of the restaurant secured as best he could for a civilian in that situation. He said he was listening for signs of struggle or an escalation in the level of violence but he did not hear or see that and he did not want to create an escalation so he stayed where he was, waiting for the Police.

After a total of approximately seven to nine minutes since the woman ran into the Mexican restaurant, ██████████ stated he heard the sirens of the responding Police cars. He told me it sounded like the Officers shut off the sirens when they were about a half a mile away. Very quickly after that he saw and heard the Police Officers ordering him to holster his pistol and back out of his position at the back door at the back of the restaurant. ██████████ stated he was interviewed by two Officers then a third a short time later who also took his pistol from him.

END STATEMENT.



# SACRAMENTO POLICE DEPARTMENT

## PUBLIC HARDCOPY

RELEASED PER PUBLIC RECORDS ACT REQUEST

GO# SA 2012-332558 CLEARED  
EXCEPTIONALLY

1315-19 245(A)(1)AWDW-NON-FIREARM

Follow Up Report # SA 1

### Narrative Text Report # 19

Document: **02 WITNESS STATEMENT**

Author: **999 - TOEL, W 0276 ( )**

Subject: (W) **STATEMENT**

Related date/time: **Feb-13-2013 (Wed.) 1636**

### INVESTIGATIVE SUPPLEMENT:

On 12-8-12, I, Detective Bill Toel #276, (IV113) was tasked with assisting with this case, 12-332558. I have been employed by the Sacramento Police Department (SPD) as a Police Officer since March of 1997. I have been assigned to the Office of Investigations as a Detective since January of 2005. I have been assigned to the Major Crimes Division, Felony Assaults Unit since September of 2012. Currently my primary duties are to investigate crimes, including but not limited to, financial crimes, burglaries, thefts, robberies, assaults and homicides.

At approximately 2100 hours I spoke to (W) [REDACTED] at the Sacramento County Sheriff's Department (SSD) facility located at 4510 Orange Grove Avenue. Due to the large number of interviews taking place simultaneously and due to the need for these interviews to be properly conducted under controlled, recorded conditions, the SSD made their facility available to SPD.

(W) [REDACTED] statement follows in summary. For the full interview please review the audio and video recordings of the interview.

(W) [REDACTED] stated she was having lunch at the Mexican restaurant (Taqueria El Festival, 8345 Folsom Boulevard #119) across the parking lot from the Jack in the Box restaurant with her boyfriend, (W) [REDACTED]. [REDACTED] stated as they were eating she saw someone come into the Mexican restaurant saying there was, "A burglar, or something like that". [REDACTED] said all she remembered after that was [REDACTED] running to their car then to the back of the restaurant and staying there until the Police came. ([REDACTED] repeatedly made statements to me referring to things she had either heard other people talk about or things people had said to her.) [REDACTED] told me she never saw or heard the suspect and did not see anything that took place inside of the Jack in the Box restaurant.

END STATEMENT



# SACRAMENTO POLICE DEPARTMENT

## PUBLIC HARDCOPY

RELEASED PER PUBLIC RECORDS ACT REQUEST

GO# SA 2012-332558 CLEARED  
EXCEPTIONALLY

1315-19 245(A)(1)AWDW-NON-FIREARM

Follow Up Report # SA 1

### Narrative Text Report # 20

Document: **06 DETECTIVE SUPPLEMENT**

Author: **8 - ALONSO, BRYAN 0803**

Subject: **DETECTIVE B. ALONSO #803**

Related date/time: **Dec-08-2012 (Sat.) 1603**

I, Detective B. Alonso #803 (IV54), have been employed by the Sacramento Police Department as a Police Officer since 2001. I am currently assigned to the Office of Investigations as a Detective with the Felony Assaults Unit. My primary duties are to investigate and/or assist with the investigation of crimes including, but not limited to assaults with deadly weapons, felony batteries, kidnapping, and homicide.

### NOTIFICATION:

**On Saturday, 12-8-12, at approximately 1603 hours**, I was notified by Homicide Detective J. Kirtlan #329 of a homicide team call out to the Jack in the Box restaurant located at 8349 Folsom Blvd in the College Greens area of Sacramento (Case# 12-332558). I was informed that there had been a hostage situation at the Jack in the Box restaurant where the SPD SWAT team had been called out and deployed. I was also informed that this was an officer involved shooting and no officers were known to be injured.

### ARRIVAL:

**At approximately 1653 hrs**, I arrived to the scene at 8349 Folsom Blvd and parked to the northwest of the Jack in the Box. I met up with Detective DeDonder in the parking lot and we entered the crime scene together.

Upon arrival, Detective Sergeant F. Enriquez asked me to call Media Production Specialist M. Baker #6511 and have him respond to the scene in order to recover any surveillance video that may need to be obtained in the area. I contacted M. Baker prior to the briefing and he was en route.

### **I observed the following personnel present at the scene:**

Captain D. Peletta #5100  
Lieutenant J. Eklund #4104  
Lieutenant D. Joy #4063  
Lieutenant D. Davis #4096  
Lieutenant JW. Champion #4060  
Lieutenant T. Sweeney #4079  
Lieutenant J. Watson #4093  
Detective Sergeant F. Enriquez #3020 (IV27)  
Detective Sergeant M. Stigerts #3096 (IV10)





# SACRAMENTO POLICE DEPARTMENT

## PUBLIC HARDCOPY

RELEASED PER PUBLIC RECORDS ACT REQUEST

GO# SA 2012-332558 CLEARED  
EXCEPTIONALLY

1315-19 245(A)(1)AWDW-NON-FIREARM

Follow Up Report # SA 1

Detective Sergeant D. Monk #3033 (IV24)  
Detective D. Burke #474 (IV146)  
Detective B. DeDonder #302 (IV57)  
Detective B. Heinlein #294 (IV156)  
Detective K. Jaspersen #440 (IV180)  
Detective M. Johnson #706 (IV173)  
Detective J. Kirtlan #329 (IV145)  
Detective S. MacLafferty #749 (IV53)  
Detective L. Trimpey #806 (IV106)  
Detective B. Alonso #803 (IV54) \*  
Detective S. Ayers #763 (IV140)  
Detective W. Toel #276 (IV113)  
Detective J. Fan #815 (IV170)  
Detective C. Mouzis #489  
Detective S. Richardson #621 (GNG16)  
SWAT Team members

*There were also several other Sacramento Police Officers on scene including the Chief of Police, R. Braziel and Public Information Officer D. Morse #720.*

### **BRIEFING:**

At approximately 1740 hrs, I attended the briefing given by Lieutenant D. Joy, where he informed us of the facts to the incident known to him at the time. SWAT Lieutenant J. Watson also provided a briefing covering some of the SWAT aspects of the incident.

### **WALK-THROUGH:**

I did not attend the walk-through.

### **FOLLOW-UP INVESTIGATION:**

After the briefing, Detective Sergeant F. Enriquez assigned me to assist with the interviews of victims and witnesses at the Sacramento County Sheriff's Department Homicide offices located at 4510 Orange Grove Avenue in North Sacramento. Detectives C. Mouzis, S. Ayers, W. Toel, R. Guerra and S. Richardson responded to this location as well.



# SACRAMENTO POLICE DEPARTMENT

## PUBLIC HARDCOPY

RELEASED PER PUBLIC RECORDS ACT REQUEST

GO# SA 2012-332558 CLEARED  
EXCEPTIONALLY

1315-19 245(A)(1)AWDW-NON-FIREARM

Follow Up Report # SA 1

**At approximately 1915 hrs,** I responded to 300 Richards Blvd in order to assist with transporting victims / witnesses to the Sacramento County Sheriff's facility. I transported Victims [REDACTED] and [REDACTED] from 300 Richards Blvd to 4510 Orange Grove Ave.

**At approximately 1940 hrs,** I interviewed Victim [REDACTED] (see [REDACTED] statement). This interview was audio / video recorded, later downloaded to DVD and booked into evidence at HOJ (PR# 763828-1). During the interview, [REDACTED] drew a sketch of the interior layout of Jack in the Box and drew another sketch of S-Khang's gun as she remembered. I later booked these sketches into evidence at HOJ (PR# 763828-2) and attached copies of the sketches to this report as images in the Versadex system.

**At approximately 2134 hrs,** I interviewed Victim [REDACTED] (see [REDACTED] statement). This interview was audio / video recorded, later downloaded to DVD and booked into evidence at HOJ (PR# 763828-3). During the interview, [REDACTED] drew a sketch of the interior layout of Jack in the Box and attempted to draw a sketch of S-Khang's gun as she remembered. I drew a sketch of a revolver on the same page, which we utilized during the interview. I later booked these sketches into evidence at HOJ (PR# 763828-4) and attached copies of the sketches to this report as images in the Versadex system.

*\*\* I noted that the video recording time stamp for interview room that I used was approximately 3.5 minutes slow.*

---

**At approximately midnight,** all SPD Detectives cleared the SSD Homicide building and SSD Detective D. Prizmich stayed to secure the building. We (Detectives) responded to HOJ (5770 Freeport Blvd) for further instruction. At HOJ, we were advised by Detective Sergeant Enriquez and Lt. Eklund that we could clear.



# SACRAMENTO POLICE DEPARTMENT

## PUBLIC HARDCOPY

### RELEASED PER PUBLIC RECORDS ACT REQUEST

GO# SA 2012-332558 CLEARED  
EXCEPTIONALLY

1315-19 245(A)(1)AWDW-NON-FIREARM

Follow Up Report # SA 1

#### Narrative Text Report # 21

Document: **06 DETECTIVE SUPPLEMENT**

Author: **285 - STIGERTS, MARNIE J 4110**

Subject: **STIGERTS'S OBSERVATIONS**

Related date/time: **Dec-08-2012 (Sat.) 1611**

On 12/08/12, at approximately 1611 hours, I received a phone call on my cell phone from Det. Sgt. Fern Enriquez when I was off duty. He requested I respond to Folsom Blvd./Julliard St. to assist with the investigation of an officer involved shooting that had occurred during a stand-off at the Jack-in-the-Box near that location. I arrived at the scene at approximately 1655 hours.

At approximately 1737 hours, the briefing was given by Lt. Dennis Joy. In attendance were among others Sgts. Enriquez, Monk, Lommori, Freeman, Brown, Lts. Eklund, Watson and several homicide, felony assaults, robbery and gang detectives as well as CSI officers and supervisors. Lt. Joy gave a detailed summary of what had occurred, starting with the initial call that came in at 1232 hours regarding a robbery in progress at 8349 Folsom Blvd. and the suspect was a male, Asian armed with a handgun. A SWAT call-out was initiated at approximately 1246 hours and the command post established nearby. At approximately 1324 hours, SWAT was on scene and deployed. Contact was established with an employee inside the store being held hostage by the suspect by cell phone and Hostage Negotiations Team members were requested to respond and begin negotiations with the suspect. Lt. Joy had given the directive that if there was a clean shot to eliminate the threat of the armed suspect, they were to take the shot. At approximately 1544 hours, shots were fired by six members of the SWAT team from three different locations around the business and the suspect was down.

The weapon was recovered laying under the suspect and he was transported to UCDMC by ambulance immediately after contact inside the business. Officers McPhail and Byron followed the ambulance to the hospital and remained there at the time of the briefing. At 1700 hours, the suspect was declared deceased. At the time of the briefing, the suspect had not been positively identified.

Two SWAT officers were deployed as snipers to the south of the business, one SWAT officer was deployed to the west, four were deployed to the east, just outside the main door. Shooting officers included the one to the west, two to the south and three of the four on the east. At approximately 1810 hours, I accompanied Ofc. Lightfoot, Det. Kirtlan, IA Sgt. Vassallo, interviewing detective, legal counsel and CSI personnel on a walk through of the scene to determine how many shots he fired and in what direction. At 1827 hours, I accompanied Ofc. Villegas, Det. Kirtlan, IA Sgt. Vassallo, interviewing detective, legal counsel and CSI personnel on the same walk-through. At 1836 hours, I accompanied Sgt. Green, Det. Kirtlan, IA Sgt. Vassallo, Det. Dedonder, legal counsel and CSI personnel on the same walk-through. At 1844 hours, I accompanied Ofc. Griffin, Det. Kirtlan, IA Sgt. Vassallo, interviewing detective, legal counsel and CSI personnel on the same walk-through. At 1848 hours, I accompanied Ofc. A. Davis, Det. Kirtlan, IA Sgt. Vassallo, interviewing detective, legal counsel and CSI personnel on the same walk-through. At 1852 hours, I accompanied Ofc. Edgerton, Det. Kirtlan, IA Sgt. Vassallo, interviewing detective, legal counsel and CSI personnel on the same walk-through.

I spoke with Det. Kirtlan and CSI personnel and determined we would process the exterior scene of the shooting utilizing the Total Station equipment which would be operated by CSI Ofc. Carr. We decided to request the



# SACRAMENTO POLICE DEPARTMENT

## PUBLIC HARDCOPY

### RELEASED PER PUBLIC RECORDS ACT REQUEST

GO# SA 2012-332558 CLEARED  
EXCEPTIONALLY

1315-19 245(A)(1)AWDW-NON-FIREARM

Follow Up Report # SA 1

assistance of the Sacramento County Crime Lab to use their 3-D version of the Total Station to document the interior scene of Jack-in-the-Box. At approximately 1902 hours, I contacted on-call Crime Lab personnel, Leslie Poole, and requested they respond. She indicated approval would be required from District Attorney Scully and she advised she would call back. Poole called back a short time later and advised that they would respond with their equipment and process the interior scene.

At approximately 1939 hours, Ofc. Byron arrived back at the scene. He had been standing by with the suspect's body until moved to the secure morgue area of the hospital at the direct of the coroner's office. Ofc. Byron had taken custody of the suspect's clothing and turned it over to me in a biohazard bag and advised that all the clothing had not been searched as it was blood-soaked. At 1944 hours, I turned over the bag of clothing to CSI Ofc. Cruz to book as evidence. I informed her of the condition of the clothing and that it hadn't been searched.

At approximately 2025 hours, Leslie Poole #24 and Jason Hooks #71 had arrived and were walked through the scene by myself and Det. Kirtlan and given the details of the case to that point. We eventually determined Poole and Hooks would only process the lobby, front counter and employee area to the menu boards. SPD CSI would process the scene where the employees had access and the suspect had been.

Det. Fan and Forensic Video Specialist Mike Baker were given access to the business to view any surveillance video from inside the business. It was soon determined that the system installed did not have recording capability and was a live-feed only. They had canvassed and requested video from nearby businesses as available.

At approximately 0125 hours, dispatch advised me that one of the witnesses was calling in regarding his handgun whereabouts. I checked with Det. Mouzis who indicated the witness had received his weapon back at the conclusion of his interview with detectives. At 0135 hours, I contacted witness [REDACTED] by phone and he informed me that his weapon had in fact been returned to him, however he believed it had been dropped and damaged by police after he turned it over to them for safekeeping. I referred him to Risk Management to file a claim.

I cleared from the scene and left Det. Kirtlan to complete processing and turn the business over to the owner when our evidence collection was complete and was end of watch at approximately 0200 hours.

I sent an email with the information about Risk Management to [REDACTED] on 12/14/12 at approximately 1400 hours.



# SACRAMENTO POLICE DEPARTMENT

## PUBLIC HARDCOPY

RELEASED PER PUBLIC RECORDS ACT REQUEST

GO# SA 2012-332558 CLEARED  
EXCEPTIONALLY

1315-19 245(A)(1)AWDW-NON-FIREARM

Follow Up Report # SA 1

### Narrative Text Report # 22

Document: **06 DETECTIVE SUPPLEMENT**

Author: **695 - MOUZIS, CHRISTOPHER 3006 ( )**

Subject: **DET MOUZIS OBSERVATIONS**

Related date/time: **Dec-08-2012 (Sat.) 1700**

On above date and time, I responded to 8349 Folsom Blvd related to a officer involved shooting. I had been originally called out to this call as a negotiator, and was there until the shooting happened. I had left the scene to return some property back to JERPF.

At approximately 1730 hours, I attended an overall briefing presented by Lt. Dennis Joy, who was the watch commander. Det. Sgt. Fern Enriquez assigned me to be the contact person at 4510 Orange Grove, where the interviews of the Jack-in-Box employees were going to take place.

At approximately 1836 hours, I arrived at SSD homicide at 4510 Orange Grove and met up with SSD Det. Prizmich who assisted with setting up interview rooms. I monitored the interviews and updated Sgt. Enriquez of the progress.

At approximately 2345 hours, the interviews were concluded and I left SSD to check in with Sgt. Enriquez at HOJ.



# SACRAMENTO POLICE DEPARTMENT

## PUBLIC HARDCOPY

### RELEASED PER PUBLIC RECORDS ACT REQUEST

GO# SA 2012-332558 CLEARED  
EXCEPTIONALLY

1315-19 245(A)(1)AWDW-NON-FIREARM

Follow Up Report # SA 1

#### Narrative Text Report # 23

Document: **06 DETECTIVE SUPPLEMENT**

Author: **130 - BURKE, DANIEL 0474** ( [REDACTED] )

Subject: **DET BURKE #474 - SUPPLEMENT**

Related date/time: **Dec-08-2012 (Sat.)**

I, Det Burke #474, am assigned to the Office of Investigations, Homicide Unit. My duties include the investigation of homicides, kidnappings, and officer-involved shootings.

On 12/8/12, at approximately 1615 hrs, I received a phone call from Det Kirtlan of the Homicide Unit. He was requesting my response on an officer-involved shooting that occurred during a hostage standoff at the Jack in the Box located at 8349 Folsom Blvd. The shooting involved the SPD SWAT team, and the suspect had been shot and transported to the hospital.

I responded to the scene, and arrived at approximately 1710 hrs. Several detectives responded from the Homicide Unit, Felony Assault Unit, Gang Unit, and the Neighborhood Crimes Unit.

At 1738 hrs, Lt. Joy #4063 briefed the investigative team as to the details of the case known to him at the time. The initial call was received at 1232 hrs. At that time, SPD began receiving phone calls of an armed subject in the Jack in the Box and a robbery in progress at the location. The suspect was described as a male Asian in his 20's with a small build. Updates came in via communications that the suspect was holding the gun on employees inside the business. There was an additional update that an "Agent" with a vest and a gun was at the back door. It was later determined this was a bail bondsman. The suspect had reportedly pulled the trigger and "dry fired" the gun at one point. Sgt Voska had made contact with some employees who had fled the business, and found out that the suspect was rounding up employees in the business and using wire to lock the doors.

Customers [REDACTED] and [REDACTED] were in the restaurant with their child. The suspect pulled the gun on their child, but the subjects were able to escape with their child. There were two female employees inside of the business in addition to the suspect. Officer Howland was able to get onto a phone that had an open line into the business. She overheard the suspect make threats to shoot the victims if the police came inside.

The command staff went over the rules of engagement and gave out the rules to the SWAT team members. One of the hostages was able to escape. At one point, officers learned that the suspect had to go to the bathroom. The suspect then went to the bathroom, and had a female hostage close to him. Officers saw that the suspect had a gun during that trip to the bathroom. Officers later fired shots, and the suspect went down. The remaining female hostage escaped. The shooting officers were identified as Lightfoot, Villegas, Griffin, Edgerton, Green, and Davis.

Sgt Enriquez gave out assignments to the responding detectives. There were six officers that needed to be interviewed in addition to approximately seven civilian witnesses. The interviews were going to be conducted at three different locations: SPD Hall of Justice, 300 Richards Blvd station, and at the Sacramento



# SACRAMENTO POLICE DEPARTMENT

## PUBLIC HARDCOPY

RELEASED PER PUBLIC RECORDS ACT REQUEST

GO# SA 2012-332558 CLEARED  
EXCEPTIONALLY

1315-19 245(A)(1)AWDW-NON-FIREARM

Follow Up Report # SA 1

Sheriff's Department. Sgt Enriquez tasked me with interviewing Ofc Griffin at 300 Richards Blvd. The "round-count", used to determine the number of remaining rounds in the weapons used, would be conducted in the field.

At 1835 hrs, I briefed DA Investigators Kirk Campbell and Ron Garverick as to the circumstances I'd learned.

At 1844 hrs, I was present while Ofc Griffin conducted a public safety walk-through to show his positioning, direction, and number of shots fired. Also present during the walk-through were Sgt Stigerts, Det Kirtlan, and attorney Sean Howell - who was going to represent Ofc Griffin. Ofc Griffin indicated that he fired one shot with a .223 rifle toward the east door of Jack in the Box from the front of the Bearcat.

I responded to the SPD building at 300 Richards Blvd. Also present were Det Trimpey (to interview Ofc Edgerton), Ofc Griffin, Ofc Edgerton, Dep Chief Louie, Sgt Camous, Attorney Sean Howell, Sgt Vassallo, Sgt Monk, and Lt Watson.

At 2033 hrs, CSI Ofc T. Joseph arrived to photograph Ofcs Griffin and Edgerton.

At 2146 hrs, I conducted the interview of Ofc Griffin. Attorney Sean Howell was present for the interview. During the interview, I showed Ofc Griffin two photos that were aerial Google maps. He indicating various positioning on one of the maps. I later booked the maps into evidence. At the conclusion of the interview, I responded to the SPD Hall of Justice and briefed with other detectives and supervisors on this case. I was later dismissed.



# SACRAMENTO POLICE DEPARTMENT

## PUBLIC HARDCOPY

RELEASED PER PUBLIC RECORDS ACT REQUEST

GO# SA 2012-332558 CLEARED  
EXCEPTIONALLY

1315-19 245(A)(1)AWDW-NON-FIREARM

Follow Up Report # SA 1

### Narrative Text Report # 24

Document: **06 DETECTIVE SUPPLEMENT**

Author: **277 - FAN, JOHN 0815**

Subject: **DET. FAN #0815**

Related date/time: **Dec-09-2012 (Sun.) 36**

I, Detective John Fan #0815 (IV170) am currently assigned to Sacramento Police Department's Neighborhood Crimes Unit. My primary responsibilities include but are not limited to investigating robberies, burglaries, larcenies. On 12-08-12, at approximately 1518 hrs. I received a phone call from Sgt D. Monk, requesting me to respond to the "Jack in the Box" at 8349 Folsom Blvd regarding a robbery in progress. Sgt D. Monk advised me that the suspect was still inside the business along with at least one hostage. While I was en route. I learned that the suspect was shot by officers on scene.

Upon my arrival on scene, I attended a briefing conducted by Lt D. Joy #4063. "Jack in the Box" at 8349 Folsom Blvd is a fast food restaurant located on the north side of Folsom Blvd, east of Notre Dame Dr and west of Julliard Dr. It is a stand alone building with other businesses to the east, north, west and south. The business to the south across Folsom Blvd is "Tire and Wheel Outlet" located at 8354 Folsom Blvd. The business to the east is "Umeko Buffet" at 8353 Folsom Blvd. The business to the north is "Taqueria El-Festival" at 8345 Folsom Blvd #119. The building to the west is an empty building.

I was requested by Sgt Enriquez from SPD Homicide Unit to check for any surveillance videos in the area along with SPD Media Specialist Mike Baker. I conducted a neighborhood canvass along Folsom Blvd from Notre Dame Dr to Julliard Dr. I checked the following businesses for surveillance videos:

8333 Folsom Blvd (CK's Donuts): Closed with no exterior cameras observed.

8335 Folsom Blvd (TJ Cut & Spa): No surveillance cameras at all.

8337 Folsom Blvd (Sae Jong Tempura & Teriyaki): No videos.

8339 Folsom Blvd (Park & Gas): Closed with no exterior surveillance cameras observed.

8354 Folsom Blvd (Tire & Wheel Outlet): Closed with no exterior surveillance cameras observed.

8341 Folsom Blvd (empty building): Unoccupied with no exterior cameras observed.

8343 Folsom Blvd (empty suites): Unoccupied with no exterior cameras observed.

8345 Folsom Blvd (Results- the 24 hour gym): Closed with no exterior cameras observed.

8345 Folsom Blvd #119 (Taqueria El Festival): Closed with no exterior cameras observed.

8353 Folsom Blvd (Umeko Buffet): Closed with no exterior cameras observed.





# SACRAMENTO POLICE DEPARTMENT

## PUBLIC HARDCOPY

### RELEASED PER PUBLIC RECORDS ACT REQUEST

GO# SA 2012-332558 CLEARED  
EXCEPTIONALLY

1315-19 245(A)(1)AWDW-NON-FIREARM

Follow Up Report # SA 1

8363 Folsom Blvd (Bank of America): Closed but possible exterior cameras at ATM facing south.

8371 Folsom Blvd (Jackson Hewitt Tax Services): Closed with no exterior cameras observed.

8375 Folsom Blvd (Shelah Beauty Supply): Closed with no exterior cameras observed.

8379 Folsom Blvd (Expert Haircut): Closed with no exterior cameras observed.

8387 Folsom Blvd (99 cents only store): Contacted manager [REDACTED] Cell phone [REDACTED], store ([REDACTED]) who advised me that they did not have any exterior cameras.

8389 Folsom Blvd (Chase Bank): Closed but possible exterior cameras facing west.

8389 Folsom Blvd #B (Y & J Salon): Closed with no exterior cameras observed.

8391 Folsom Blvd (Raley's): Contacted head clerk [REDACTED] who advised me that the asset protection manager [REDACTED] at [REDACTED] or cell [REDACTED] will be able to get the exterior videos facing south upon request. SPD Media Specialist Baker placed a phone call with Raley's and requested surveillance videos.

8393 Folsom Blvd (Starbucks): Contacted manager [REDACTED] ([REDACTED]) advised me that they do have an exterior camera that faces north towards Raley's. But the video can only be retrieved by corporate upon request. SPD Media Specialist Baker will request the video with Starbucks.

8349 Folsom Blvd (Jack in the Box): SPD Media Specialist checked the surveillance system for possible videos and learned that the system was not recording at the time of the crime. We contacted owner [REDACTED] at [REDACTED] who confirmed that the video system was not recording.

8391 Folsom Blvd #1 (L & L Hawaiian BBQ): Closed with no exterior cameras observed.

8391 Folsom Blvd #2 (Ace Cash Express): Closed with no exterior cameras observed.

8391 Folsom Blvd #3 (Solutions Nails & Spa): Closed with no exterior cameras observed.

8391 Folsom Blvd #4 (Master Pizza): No surveillance cameras at all.

8391 Folsom Blvd #5 (Massage Merry Island): Closed with no exterior cameras observed.

8391 Folsom Blvd #7 (Habits): Closed with no exterior cameras observed.

8391 Folsom Blvd #K(Metro PCS): Closed with no exterior cameras observed.



# SACRAMENTO POLICE DEPARTMENT

## PUBLIC HARDCOPY

### RELEASED PER PUBLIC RECORDS ACT REQUEST

GO# SA 2012-332558 CLEARED  
EXCEPTIONALLY

1315-19 245(A)(1)AWDW-NON-FIREARM

Follow Up Report # SA 1

8393 Folsom Blvd (Subway): Closed with no exterior cameras observed.

8397 Folsom Blvd (Carl's Jr): Contacted employee [REDACTED] who advised me that the only person who can access the locked room where the surveillance camera system is kept is the manager [REDACTED] who will be back to work on Monday 12-10-12.

Sgt Enriquez was advised of the call. I cleared the scene at approx 2300 hrs.



# SACRAMENTO POLICE DEPARTMENT

## PUBLIC HARDCOPY

RELEASED PER PUBLIC RECORDS ACT REQUEST

GO# SA 2012-332558 CLEARED  
EXCEPTIONALLY

1315-19 245(A)(1)AWDW-NON-FIREARM

Follow Up Report # SA 1

### Narrative Text Report # 25

Document: **06 DETECTIVE SUPPLEMENT**

Author: **285 - STIGERTS, MARNIE J 4110**

Subject: **PHONE STATEMENT-CLAIM**

Related date/time: **Dec-09-2012 (Sun.) 135**

On 12/09/12, I spoke with [REDACTED] by phone and obtained his statement. He said the following in summary:

I was detained by officers after the hostage situation at the Jack-in-the-Box as a witness to what happened. I am an armed bail bondsman and have a CCW to carry a weapon. PIO Morse contacted me shortly after he got on scene and told me that officers were uncomfortable with me being armed and he requested to take custody of my gun. I turned it over to him at that time and didn't see it again until Det. Toel returned it to me after he interviewed me.

I inspect my weapon every day and when I got back to my hotel room in Fresno I inspected my weapon as usual. I noticed at that time there was damage to the slide and muzzle areas of the weapon and it appeared it had been dropped on the ground. I can't believe that PIO Morse or Det. Toel dropped my weapon and then no one bothered to tell me they damaged it.

My gun is always holstered and I know there was no damage on it when I turned it over to the police. The damage is such that it will need to be repaired. I called as soon as I got to my hotel because I didn't want there to be a delay in reporting it so that there wouldn't be anything to bring scrutiny.

I will contact Risk Management next week, if you will please email me the information I need it would be the best way for me to get that information. My email is [REDACTED]



# SACRAMENTO POLICE DEPARTMENT

## PUBLIC HARDCOPY

RELEASED PER PUBLIC RECORDS ACT REQUEST

GO# SA 2012-332558 CLEARED  
EXCEPTIONALLY

1315-19 245(A)(1)AWDW-NON-FIREARM

Follow Up Report # SA 1

### Narrative Text Report # 26

Document: **06 DETECTIVE SUPPLEMENT**

Author: **999 - TOEL, W 0276 ( )**

Subject: **INVESTIGATIVE SUPPLEMENT**

Related date/time: **Dec-10-2012 (Mon.) 1221**

### INVESTIGATIVE SUPPLEMENT:

On 12-8-12, I, Detective B. TOEL #276, was tasked with assisting with this case, 12-332558. I have been employed by the Sacramento Police Department (SPD) as a Police Officer since March of 1997. I have been assigned to the Office of Investigations as a Detective since January of 2005. My primary duties are to investigate crimes, including but not limited to, financial crimes, burglaries, thefts, robberies, assaults and homicides.

### NOTIFICATION:

At approximately 1600 hours I was one of several on-call Detectives tasked with assisting the Homicide Unit when I was notified of a call-out by telephone by Detective J. KIRTLAN #329 (IV145). I responded from my residence and arrived on scene at the "Jack in the Box" fast food restaurant at 8349 Folsom Boulevard at approximately 1715 hours. The restaurant is located on the north side of Folsom Boulevard, east of Notre Dame Drive and west of Julliard Drive. It is a stand-alone building with other businesses to the east, north, west and south.

### ARRIVAL:

I checked in with the crime scene recorder before crossing over the yellow "Police" tape. I was present for the briefing given by Patrol Lieutenant D. JOY #4063 (LN26). Lieutenant JOY disseminated information during the briefing regarding the circumstances of the incident based on the information he had at the time.

### BRIEFING:

I checked in with the crime scene recorder before crossing over the yellow "Police" tape. I was present for the briefing given by Patrol Lieutenant D. JOY #4063 (LN26). Lieutenant JOY disseminated information during the briefing regarding the circumstances of the incident based on the information he had at the time.

### ACTIONS TAKEN:

Homicide Sergeant F. ENRIQUEZ #3020 (IV27) assigned me the task of assisting additional Detectives with witness and victim interviews at the Sacramento County Sheriff's Department Homicide offices located at 4510 Orange Grove Avenue in north Sacramento. I interviewed (W) [REDACTED] and (W) [REDACTED] (Please see (W) [REDACTED] and (W) [REDACTED] statements.).

### ASSIGNMENT(S):



# SACRAMENTO POLICE DEPARTMENT

## PUBLIC HARDCOPY

### RELEASED PER PUBLIC RECORDS ACT REQUEST

GO# SA 2012-332558 CLEARED  
EXCEPTIONALLY

1315-19 245(A)(1)AWDW-NON-FIREARM

Follow Up Report # SA 1

On 12-9-12, Sergeant ENRIQUEZ asked me to follow-up on the canvass of the area around the Jack in the Box restaurant for surveillance video cameras and associated video. Detective J. FAN #815 (IV170) had conducted an initial canvas on 12-8-12.

- 8333 Folsom Blvd (CK's Donuts): No exterior cameras.
- 8335 Folsom Blvd (TJ Cut & Spa): No video cameras.
- 8337 Folsom Blvd (Sae Jong Tempura & Teriyaki): No exterior cameras.
- 8339 Folsom Blvd (Park & Gas): No exterior cameras.
- 8354 Folsom Blvd (Tire & Wheel Outlet): No exterior cameras.
- 8341 Folsom Blvd (empty): No video cameras.
- 8343 Folsom Blvd (empty): No video cameras.
- 8345 Folsom Blvd #103 (empty): Three exterior cameras but they belonged to the previous tenant and are currently inactive.
- 8345 Folsom Blvd (Results 24 hour gym): No exterior cameras.
- 8345 Folsom Blvd #119 (Taqueria El Festival): No video cameras.
- 8353 Folsom Blvd (Umeko Buffet): No exterior cameras.
- 8363 Folsom Blvd (Bank of America): Under construction. Camera by ATM only.
- 8371 Folsom Blvd (Jackson Hewitt Tax Services): No exterior cameras
- 8375 Folsom Blvd (Shelah Beauty Supply): No exterior cameras.
- 8379 Folsom Blvd (Expert Haircut): No exterior cameras.
- 8387 Folsom Blvd (99 Cent Store): No exterior cameras.
- 8389 Folsom Blvd (Chase Bank): Camera by ATM only.
- 8389 Folsom Blvd #B (Y & J Salon): No exterior cameras.
- 8391 Folsom Blvd (Raley's): Detective FAN contacted head clerk [REDACTED] who advised him that the asset protection manager [REDACTED] at [REDACTED] or cell [REDACTED] will be able to get the exterior videos facing south upon request. SPD Media Specialist BAKER placed a phone call with Raley's and requested surveillance videos.
- 8393 Folsom Blvd (Starbucks): Detective Fan contacted manager [REDACTED] [REDACTED] advised him that they do have an exterior camera that faces north towards Raley's. But the video can only be retrieved by corporate upon request. SPD Media Specialist Baker will request the video with Starbucks.
- 8349 Folsom Blvd (Jack in the Box): SPD Media Specialist checked the surveillance system for possible videos and learned that the system was not recording at the time of the crime. Detective Fan contacted owner [REDACTED] at [REDACTED] who confirmed that the video system was not recording.
- 8391 Folsom Blvd #1 (L & L Hawaiian BBQ): No exterior cameras.
- 8391 Folsom Blvd #2 (Ace Cash Express): No exterior cameras.
- 8391 Folsom Blvd #3 (Solutions Nails & Spa): No exterior cameras.
- 8391 Folsom Blvd #4 (Master Pizza): No video cameras.
- 8391 Folsom Blvd #5 (Massage Merry Island): No exterior cameras.
- 8391 Folsom Blvd #7 (Habits): No exterior cameras.
- 8391 Folsom Blvd #K (Metro PCS): No exterior cameras.
- 8393 Folsom Blvd (Subway): No exterior cameras.



# SACRAMENTO POLICE DEPARTMENT

## PUBLIC HARDCOPY

RELEASED PER PUBLIC RECORDS ACT REQUEST

GO# SA 2012-332558 CLEARED  
EXCEPTIONALLY

1315-19 245(A)(1)AWDW-NON-FIREARM

Follow Up Report # SA 1

8397 Folsom Blvd (Carl's Jr.): Three exterior cameras but the management has not been cooperative. Several phone calls have gone unanswered and promises unfulfilled.

CASE NOTES: None.



# SACRAMENTO POLICE DEPARTMENT

## PUBLIC HARDCOPY

RELEASED PER PUBLIC RECORDS ACT REQUEST

GO# SA 2012-332558 CLEARED  
EXCEPTIONALLY

1315-19 245(A)(1)AWDW-NON-FIREARM

Follow Up Report # SA 1

### Narrative Text Report # 27

Document: **06 DETECTIVE SUPPLEMENT**

Author: **227 - DEDONDER, BRIAN 0302** (██████████)

Subject: **DET DEDONDER SUPP**

Related date/time: **Dec-11-2012 (Tue.) 927**

I, Det. DeDonder, am assigned to the Homicide Unit. On 12-8-12 at approx 1608 hours, I was notified by Det. Kirtlan of a callout for an officer-involved shooting (OIS). I was asked to respond to the Raley's parking lot at 8391 Folsom Blvd. I subsequently responded and arrived at approx 1650 hours. The area was completely cordoned off with police crime scene tape and there were already numerous officers, detectives, supervisors, and managers on scene.

At approx 1738 hours, I, along with other investigators on the case, attended a field briefing conducted by Lt. Joy. During this briefing, we were advised of the facts of the case as they were known at the time. In summary, we were told that at approx 1232 hours, SPD received multiple calls reporting a robbery in progress at Jack in the Box, 8349 Folsom Blvd. These callers reported that there was a man with a gun inside the business and that he was holding the gun to one of the employees. The suspect was described as a male Asian in his 20's.

Patrol officers initially responded on this call, and at approx 1246 hours Lt. Joy initiated a SWAT callout because the suspect was still inside the business with hostages.

When the SWAT officers arrived, they established a perimeter around the business. At one point, the armed suspect went into the bathroom with a female hostage (employee of Jack in the Box). When the suspect and the hostage came out of the bathroom, the suspect was shot by SWAT officers. The suspect was subsequently transported to the UCD Medical Center, where he was ultimately pronounced deceased.

We were told that the following SWAT officers fired at the suspect: Ofc. Lightfoot (UNN24), Ofc. Villegas (UNN33), Ofc. Griffin (UNN12), Ofc. Edgerton (UNN14), Ofc. Green (UNN31), and Ofc. Davis (UNN15).

I was assigned by Sgt. Enriquez to interview SWAT Ofc. Green. (Green is actually a Patrol Sgt but was still on call for the SWAT team and was thus acting in a role of SWAT officer at the time of this incident).

At approx 1840 hours, I participated in a walk-through of Ofc. Green's shooting position. Also present for this walk-through were SWAT Ofc. Green, Sgt. Stigerts (Gangs), Ofc. D. Smith (POA), and Attorney Jeff Edwards (rep for Ofc. Green). During this walk-through, Ofc. Green pointed out his shooting position, which was from the elevated turret position in the SWAT armored vehicle (known as the "Bear Cat") which was parked facing S/B in the parking lot just East of the Jack in the Box. Ofc. Green advised that he fired one round from his duty rifle (M-4 .223 caliber), in the direction of the East door of the business. The door was propped open during the walk through and Green advised that he fired through the door.

After the walk-through, I responded to SPD Headquarters where I interviewed Ofc. Green. (See his attached statement.)



# SACRAMENTO POLICE DEPARTMENT

## PUBLIC HARDCOPY

RELEASED PER PUBLIC RECORDS ACT REQUEST

GO# SA 2012-332558 CLEARED  
EXCEPTIONALLY

1315-19 245(A)(1)AWDW-NON-FIREARM

Follow Up Report # SA 1

### Narrative Text Report # 28

Document: **06 DETECTIVE SUPPLEMENT**

Author: **463 - JASPERSON, KYLE 0440 (██████████)**

Subject: **DET. JASPERSON'S SUPP**

Related date/time: **Dec-11-2012 (Tue.)**

I, Det. Jasperson, am assigned to the Homicide Unit. On 12-8-12 at approx 1605 hours, I was notified by Det. Kirtlan of a callout for an officer-involved shooting (OIS). I was asked to respond to the Raley's parking lot at 8391 Folsom Blvd. I subsequently responded and arrived at approx 1717 hours. The area was completely cordoned off with police crime scene tape and there were already numerous officers, detectives, supervisors, and managers on scene.

At approx 1738 hours, I, along with other investigators on the case, attended a field briefing conducted by Lt. Joy. During this briefing, we were advised of the facts of the case as they were known at the time. In summary, we were told that at approx 1232 hours, SPD received multiple calls reporting a robbery in progress at Jack in the Box, 8349 Folsom Blvd. These callers reported that there was a man with a gun inside the business and that he was holding the gun to one of the employees. The suspect was described as a male Asian in his 20's.

Patrol officers initially responded on this call, and at approx 1246 hours Lt. Joy initiated a SWAT callout because the suspect was still inside the business with hostages.

When the SWAT officers arrived, they established a perimeter around the business. At one point, the armed suspect went into the bathroom with a female hostage (employee of Jack in the Box). When the suspect and the hostage came out of the bathroom, the suspect was shot by SWAT officers. The suspect was subsequently transported to the UCD Medical Center, where he was ultimately pronounced deceased.

We were told that the following SWAT officers fired at the suspect: Ofc. Lightfoot (UNN24), Ofc. Villegas (UNN33), Ofc. Griffin (UNN12), Ofc. Edgerton (UNN14), Ofc. Green (UNN31), and Ofc. Davis (UNN15).

I was assigned by Sgt. Enriquez to interview SWAT Ofc. Davis.

At approx 1848 hours, I participated in a public safety walk-through of Ofc. Davis' shooting position. Also present for this walk-through were SWAT Ofc. Davis, Sgt. Stigerts (Gangs), Sgt. Vassallo (IA), Ofc. D. Smith (SPOA), and Attorney Jeff Edwards (rep for Ofc. Davis). During this walk-through, Ofc. Davis pointed out his shooting position, which was from the rear of a K-9 patrol car (#10764) parked facing E/B on Folsom Blvd in a generally south-east direction from the Jack in the Box. Ofc. Davis advised that he fired one round from his duty rifle, and he pointed out a broken/shattered pane of window glass on the west side of the restaurant where his round penetrated.

After the walk-through, I responded to SPD Headquarters where I interviewed Ofc. Davis. (See his attached statement.)





# SACRAMENTO POLICE DEPARTMENT

## PUBLIC HARDCOPY

RELEASED PER PUBLIC RECORDS ACT REQUEST

GO# SA 2012-332558 CLEARED  
EXCEPTIONALLY

1315-19 245(A)(1)AWDW-NON-FIREARM

Follow Up Report # SA 1

### Narrative Text Report # 29

Document: **06 DETECTIVE SUPPLEMENT**

Author: **31 - AYERS, SHAWN E 3002**

Subject: **DET. AYERS #763 (IV140)**

Related date/time: **Dec-13-2012 (Thu.) 1030**

### Observations: Det. Ayers #0763 (IV140)

I, Detective Ayers #763, am currently assigned to the Felony Assaults Unit with the Sacramento Police Department. On Saturday, 12-08-12, at approximately 1615 hours, I received a phone call from SPD Detective Kirtlan #0329 (IV145) where I was notified of a call out for an officer-involved shooting (OIS). I had also been informed that this OIS was related to the situation that had been ongoing at the Jack in the Box located at 8349 Folsom Blvd. I was requested to respond to the Raley's Shopping Center located at 8391 Folsom Blvd. just to the east of the Jack in the Box. I responded to the scene from home and arrived at approximately 1714 hours.

Upon arrival I observed that the scene and surrounding area was completely cordoned off and secured with yellow crime scene tape, marked patrol vehicles and uniformed police personnel. At the scene there were already numerous officers, detectives, supervisors and managers on scene.

At approximately 1738 hours, I, along with other investigators on the case, attended a field briefing conducted by Lt. Joy. During this briefing, we were advised of the facts of the case as they were known at the time. In summary, we were told that at approx 1232 hours, SPD received multiple calls reporting a robbery in progress at Jack in the Box, 8349 Folsom Blvd. These callers reported that there was a man with a gun inside the business and that he was holding the gun to one of the employees. The suspect was described as a male Asian in his 20's. Patrol officers initially responded on this call, and at approx 1246 hours Lt. Joy initiated a SWAT callout because the suspect was still inside the business with hostages.

When the SWAT officers arrived, they established a perimeter around the business. At one point, the armed suspect went into the bathroom with a female hostage (employee of Jack in the Box). When the suspect and the hostage came out of the bathroom, the suspect was shot by SWAT officers. The suspect was subsequently transported to the UCD Medical Center, where he was ultimately pronounced deceased.

We were told that the following SWAT officers fired at the suspect: Officer Lightfoot (UNN24), Officer Villegas (UNN33), Officer Griffin (UNN12), Officer Edgerton (UNN14), Officer Green (UNN31), and Officer Davis (UNN15).

I was assigned by Sgt. Enriquez to interview one of the employees from the Jack in the Box. Sgt. Enriquez informed me that all of the employees that were inside the Jack in the Box during the initial robbery/hostage takeover had been transported to our Central Station located at 300 Richards Blvd. and would need to be transported to the Sacramento County Sheriff's Homicide Division's location to be interviewed there as all of our (SPD) interview rooms would be in use for SPD officers involved in the OIS.

After receiving my assignment I arrived at our Central Station with Detective Alonso, Detective Richardson, and Detective Toel where all witnesses/employees had been seated in the Tactical Briefing room located on the second floor. Detective Mouzis had been directed to by Sgt. Enriquez to be the contact person and assist in



# SACRAMENTO POLICE DEPARTMENT

## PUBLIC HARDCOPY

### RELEASED PER PUBLIC RECORDS ACT REQUEST

GO# SA 2012-332558 CLEARED  
EXCEPTIONALLY

1315-19 245(A)(1)AWDW-NON-FIREARM

Follow Up Report # SA 1

setting up the interview rooms at the SSD facility located at 4510 Orange Grove Ave. I introduced myself to [REDACTED] and to [REDACTED] where I informed them that I would be transporting them to another facility where we would be conducting our interview. [REDACTED] introduced herself as [REDACTED] daughter who was not there at the incident but had been called to help translate for her mother as she doesn't speak English very well.

At approximately 1928 hrs, I arrived at 4510 Orange Grove Ave (SSD's Detective Division) with [REDACTED] and [REDACTED] where they were later seated in interview room #1 and interviewed. (See Witness [REDACTED] Statement)

On Sunday, 12-9-12, at approximately 1545 hours, Detective Toel and I responded back out to the Raley's Shopping Center to re-check the surrounding area and business that Detective Fan (IV170) had previously checked and noted which locations had visible surveillance cameras. Prior to our arrival we had reviewed Detective Fan's supplement of the locations that he had checked and attempted to locate and harvest any video from those locations. We checked the following businesses:

- 8345 Folsom Blvd #101 (The 24 Hour Gym): We observed one (1) exterior camera located just outside the business mounted on the ceiling of the covered walkway/sidewalk. The business has one (1) interior camera that monitors the inside activity only and where told that there was no gym staff present at the time.
- 8345 Folsom Blvd #103 (vacant building): I observed two (2) exterior cameras mounted on the ceiling of the covered walkway at the corner of the building which would capture the walkway in both directions.
- 8363 Folsom Blvd (Bank of America): Closed for remodeling and had an exterior camera at the ATM location.
- 8389 Folsom Blvd (Chase Bank): We observed two (2) exterior cameras. One (1) located by the ATM which faces west and the front entry/exit door which also faces west.
- 8393 Folsom Blvd #2 (Subway): We did not observe any exterior cameras only interior cameras.
- 8395 Folsom Blvd (Carl's Jr.): I observed two (2) exterior cameras on the east side of the business where the entry door was located. I was told to contact [REDACTED] who is the general manager to be able to access



# SACRAMENTO POLICE DEPARTMENT

## PUBLIC HARDCOPY

### RELEASED PER PUBLIC RECORDS ACT REQUEST

GO# SA 2012-332558 CLEARED  
EXCEPTIONALLY

1315-19 245(A)(1)AWDW-NON-FIREARM

Follow Up Report # SA 1

the system if needed. I was told that they also had another exterior camera located to the rear of the business which monitored their trash can (to the north of the business).

- 8399 Folsom Blvd #2 (Full Service Salon): I observed one (1) exterior camera underneath the covered walkway overhang. The business was closed so it was unknown if this camera was wired directly to the business or to the building that contained four (4) suites.
- 8399 Folsom Blvd #3 (Pizza Guys): No exterior camera observed. Contacted the staff inside and they stated that they have one (1) interior camera which monitored the front register.
- 8399 Folsom Blvd #4 (Fish & Chips): I contacted the manager, [REDACTED] ([REDACTED]), who stated that the cameras on the exterior were monitored by the building owner, [REDACTED], [REDACTED].



# SACRAMENTO POLICE DEPARTMENT

## PUBLIC HARDCOPY

RELEASED PER PUBLIC RECORDS ACT REQUEST

GO# SA 2012-332558 CLEARED  
EXCEPTIONALLY

1315-19 245(A)(1)AWDW-NON-FIREARM

Follow Up Report # SA 1

### Narrative Text Report # 30

Document: **06 DETECTIVE SUPPLEMENT**

Author: **510 - KIRTLAN, JASON 3004**

Subject: **DET. KIRTLAN SCENE REPORT**

Related date/time: **Dec-19-2012 (Wed.) 1523**

#### NOTIFICATION:

On Saturday, December 8th, at 1557 hours, I Detective Kirtlan #0329 IV145, was notified by Homicide Detective Sergeant Enriquez of an officer involved shooting that had just occurred. I was instructed to respond to the area of the "Jack in the Box" located at 8349 Folsom Blvd. to assist with the investigation. I was also instructed to call the rest of the on-call team and to contact five additional homicide, felony assault or gang detectives who were able to assist. I am currently assigned to the Homicide Unit within the Office of Investigations. My primary responsibilities are to investigate homicides, officer involved shootings, and kidnappings.

The Sacramento Police Department had responded to the above location regarding a robbery in progress with a potential hostage situation. During a standoff with the Sacramento Police Department SWAT team, the suspect was shot. Patrol officers secured the scene, and a homicide call-out was initiated. Major Crimes Lieutenant Eklund, Homicide Sergeant Enriquez, Felony Assaults Sergeant Chan, Gang Sergeant Stigerts, along with Detectives MacLafferty (IV53), Johnson (IV173), Dedonder (IV57), Jasperson (IV180), Trimpey (IV106), Burke (IV146), Toel (IV113), Alonso (IV54), Ayers (IV140) and Richardson (IV62) were also requested and responded to the scene to conduct the officer involved shooting investigation.

#### ARRIVAL:

At approximately 1710 hours, I arrived on scene. I observed a large perimeter that had been established around the Jack in the Box restaurant. There were numerous uniformed police officers, marked police cruisers and yellow police ribbon used to establish the perimeter. I observed numerous media outlets that were on scene. Upon my arrival, I entered the outer perimeter to assemble with other investigators in anticipation of an informational briefing.

#### BRIEFING:

At 1738 hours, I, along with other investigators, attended a field briefing conducted by Lieutenant Joy. Lt. Joy described the facts of the incident as he knew them at the time.

In summary, Lt. Joy stated that at approximately 1232 hrs, the SPD communications center received numerous calls reporting a robbery in progress at the Jack in the Box located at 8349 Folsom Blvd. The callers reported that a male Asian in his 20's was inside of the restaurant with a gun and that he was holding the gun to one of the employees. Patrol officers arrived and set up a perimeter around the restaurant. Lt. Joy initiated a SWAT / HNT callout because witness/victim information was that the suspect was still inside of the business with hostages.



# SACRAMENTO POLICE DEPARTMENT

## PUBLIC HARDCOPY

### RELEASED PER PUBLIC RECORDS ACT REQUEST

GO# SA 2012-332558 CLEARED  
EXCEPTIONALLY

1315-19 245(A)(1)AWDW-NON-FIREARM

Follow Up Report # SA 1

When SWAT arrived, they established a tight perimeter around the restaurant. During the negotiations process, the armed suspect went into the restroom on the east side of the building along with the female hostage. When the suspect and hostage came out of the bathroom, the suspect was shot by SWAT officers. SWAT officers were able to subdue the suspect and call for paramedics. The suspect was transported to the UC Davis Medical Center where he succumbed to his injuries at 1700 hrs.

Lt. Joy made it known that the following SWAT officers fired at the suspect: Officer Lightfoot, Officer Villegas, Sergeant Green, Officer Griffin, Officer Edgerton and Officer Davis. Sergeant Green was performing the duties of a SWAT officer during this incident.

After the briefing, I was assigned to coordinate scene processing along with Sergeant Stigerts and CSI personnel. Forensic investigators Sardelich and Boyd assisted CSI officers Carr, Cruz and Deardorff with processing the scene and evidence collection. CSI Carr utilized "total station" to assist with documenting the outdoor scene.

Sacramento County crime lab Criminalists Leslie Poole and Jason Hooks arrived per a SPD request to process the interior scene. Poole utilized a "3 dimensional total station" to assist with documenting the interior scene.

Evidence including flash bangs, flash bang spoons, shell casings, one live round and a flash bang pin were located on scene by patrol officers and pointed out to investigators. All evidence was left in place and the investigation was turned over to the investigative team at that time.

#### SCENE DESCRIPTION:

The incident occurred inside of the Jack in the Box restaurant located at 8349 Folsom Blvd. within the College Greens shopping center. 8349 Folsom Blvd. is located within the City and County of Sacramento. 8349 Folsom Blvd. is located on the north side of Folsom Blvd. east of Notre Dame Dr. and west of Julliard Dr. 8349 Folsom Blvd. is a standalone restaurant with a drive thru window on the west side of the establishment. The main entrance doors are primarily made of glass and are located on the east side of the building with one door facing east and one facing south. The front of the building faces south with large plate glass windows facing Folsom Blvd. The west side of the building also has a glass door that faces south. The west side of the building also consisted of large plate glass windows. There were numerous large posters affixed to the windows around most of the business. There were also numerous large free standing posters inside of the business. The restrooms were located on the east side of the restaurant with access from a hallway starting at the main entrance doors. The dining area sits to the south of the ordering counter that is located at approximately the mid-point of the restaurant. The counter runs east / west inside of the building. The cooking area sits to the north of the ordering counter. North of the cooking area was an office, large refrigerators and a utility room. The utility room sat in the northeast corner of the restaurant.



# SACRAMENTO POLICE DEPARTMENT

## PUBLIC HARDCOPY

### RELEASED PER PUBLIC RECORDS ACT REQUEST

GO# SA 2012-332558 CLEARED  
EXCEPTIONALLY

1315-19 245(A)(1)AWDW-NON-FIREARM

Follow Up Report # SA 1

At approximately 1814 hrs, I entered the inner perimeter with Detective MacLafferty in order to contact SWAT Officer Lightfoot for the purpose of a walk-through. Please refer to Detective MacLafferty's supplement for details of the personnel who were present during the walk through. At approximately 1820 hrs, we contacted Officer Lightfoot on the south side of Folsom Blvd. where he had taken a sniper position in a yard of used tires (8354 Folsom Blvd. - Auto Edge.) Officer Lightfoot's .308 Remington rifle was on the ground near one spent casing and one live round. Officer Lightfoot stated he fired one round in a north direction into the Jack in the Box through a plate glass window.

At approximately 1827 hrs, I contacted SWAT Officer Villegas along with Detective Johnson for the purpose of a walk through. Please refer to Detective Johnson's supplement for details of the personnel who were present during the walk through. Officer Villegas advised that he was positioned to the west of Officer Lightfoot in the yard of used tires. Officer Villegas' .308 Remington rifle was on the ground near one spent casing. Officer Villegas stated he fired one round in a north direction into the Jack in the Box through a plate glass window.

At approximately 1836 hrs, I contacted SWAT Sergeant Green along with Detective Dedonder for the purpose of a walk through. Please refer to Detective Dedonder's supplement for details of the personnel who were present during the walk through. Sergeant Green advised he fired one .223 round from the turret position on top of the "Bear Cat" SWAT vehicle. Sergeant Green advised that he fired at the suspect through the main entrance door located on the east side of the restaurant.

At approximately 1844 hrs, I contacted SWAT Officer Griffin along with Detective Burke for the purpose of a walk through. Please refer to Detective Burke's supplement for details of the personnel who were present during the walk through. Officer Griffin advised that he fired one .223 round from his position along the east side of the "Bear Cat" while leaning over the hood. Officer Griffin stated he fired in the direction of the main entrance door located on the east side of the restaurant.

At approximately 1848 hrs, I contacted SWAT Officer Davis along with Detective Jaspersen. Please refer to Detective Jaspersen's supplement for details of the personnel who were present during the walk through. Officer Davis advised that he fired one .223 round in a northeast direction into a plate glass window located on the west side of the restaurant. Officer Davis was to the rear of a SPD K9 car that was parked on Folsom Blvd. to the south and west of the business.

At approximately 1852 hrs, I contacted SWAT Officer Edgerton along with Detective Trimpey for the purpose of a walk through. Please refer to Detective Trimpey's supplement for details of the personnel who were present during the walk through. Officer Edgerton advised that he fired one to two .308 rounds from his position along the east side of the "Bear Cat" while leaning over the hood and standing on a step stool. Officer Edgerton's rifle was sitting on top of the hood of the "Bear Cat." Officer Edgerton advised he fired in the direction of the main door located on the east side of the restaurant.

SCENE LIGHTING:



# SACRAMENTO POLICE DEPARTMENT

## PUBLIC HARDCOPY

### RELEASED PER PUBLIC RECORDS ACT REQUEST

GO# SA 2012-332558 CLEARED  
EXCEPTIONALLY

1315-19 245(A)(1)AWDW-NON-FIREARM

Follow Up Report # SA 1

The lighting at the time of the incident was daylight conditions. The approximate time of the shooting was 1544 hours. While processing the scene, additional lighting was provided by street lighting, portable flood lights mounted on a Sacramento Fire Department Light Truck, and officer's hand-held flashlights.

#### WEATHER / TEMPERATURE FACTORS:

The weather conditions near the time of the incident were listed on the 'The Weather Underground' internet application:

<http://www.wunderground.com/>, as:

DATE: 12/08/12  
TIME: 1544 Hours  
TEMPERATURE: 54 degrees Fahrenheit  
CONDITIONS: Clear with approximately 4 mph of wind from the northwest

#### EVIDENCE OF SURVEILLANCE VIDEO:

Detective Fan from the Neighborhood Crimes Unit was tasked with identifying and collecting any and all video. Detective Fan told me that he and SPD media specialist Mike Baker checked the Jack in the Box surveillance system for video. Per Detective Fan, the Jack in the Box system was not recording during the incident.

#### SUSPECT INFORMATION:

Suspect Khang, Xang (date of birth 04-13-86) was transported from the scene to the UC Davis Medical Center prior to detectives arrival. Suspect Khang was later pronounced deceased at 1700 hours. Officer McPhail followed the ambulance carrying Khang to the hospital.

#### VEHICLE(S):

There were four privately owned vehicles parked within the inner crime scene perimeter, none of which were found to be associated to the suspect:

2002 Gold Toyota Camry, [REDACTED] license [REDACTED], registered to [REDACTED], [REDACTED]. This vehicle was parked on the east side of the restaurant facing west, north of the main entrance door.

1996 Mazda Miata, [REDACTED] license [REDACTED], registered to [REDACTED] and [REDACTED], [REDACTED]. This vehicle was parked facing east west of the main entrance door.



# SACRAMENTO POLICE DEPARTMENT

## PUBLIC HARDCOPY

### RELEASED PER PUBLIC RECORDS ACT REQUEST

GO# SA 2012-332558 CLEARED  
EXCEPTIONALLY

1315-19 245(A)(1)AWDW-NON-FIREARM

Follow Up Report # SA 1

2003 Mitsubishi Eclipse GT, [REDACTED] license [REDACTED], registered to [REDACTED], [REDACTED]. This vehicle was parked facing south towards Folsom Blvd. near the southeast corner of the Jack in the Box.

2003 Toyota Camry, [REDACTED] license [REDACTED], registered to [REDACTED], [REDACTED]. This vehicle was parked facing west on the west side of the Jack in the Box.

#### CSI PERSONNEL:

The following CSI personnel assisted in the location, identification, diagramming, photographing, and collection of evidence located in and around 8349 Folsom Blvd:

Forensic Investigator Sardelich, Forensic Investigator Boyd, CSI Officer Carr, CSI Officer Cruz and CSI Officer Deardorff

The following Sacramento County crime lab Criminalists assisted in the location, identification, diagramming, photographing and collection of evidence inside of 8349 Folsom Blvd:

Criminalist Leslie Poole and Criminalist Jason Hooks

#### MEASUREMENTS AND DIAGRAM:

CSI Officer Carr utilized "total station" to obtain accurate measurements of the outdoor scene, including all items of evidence. CSI Officer Carr completed the crime scene diagrams.

Leslie Poole utilized a "3 dimensional total station" to assist with documenting the interior scene. Leslie Poole and Jason Hooks collected all evidence pertaining to the interior scene except for evidence that was located in the utility room.

#### VIDEO RECORDING:

I video recorded the crime scene including the various items of evidence that were collected by CSI. I also recorded SWAT Sergeant Brown unloading and counting the ammunition that was contained within each SWAT rifle.

At approximately 2030 hrs, SWAT Sergeant Brown began to unload the SWAT rifles that were fired during the incident. Sergeant Brown unloaded and counted the following rounds for the following rifles:

- 3 rounds - Officer Villegas' .308 sniper rifle (s/n [REDACTED])
- 3 rounds - Officer Lightfoot's .308 sniper rifle (s/n [REDACTED])
- 18 rounds plus 1 in the chamber - Officer Edgerton's AR-10 .308 rifle (s/n 28353)
- 28 rounds plus 1 in the chamber - Sergeant Green's M4 rifle (s/n LE093473)





**SACRAMENTO POLICE DEPARTMENT**

**PUBLIC HARDCOPY**

**RELEASED PER PUBLIC RECORDS ACT REQUEST**

**GO# SA 2012-332558 CLEARED  
EXCEPTIONALLY**

**1315-19 245(A)(1)AWDW-NON-FIREARM**

Follow Up Report # SA 1

28 rounds plus 1 in the chamber - Officer Griffin's M4 rifle (s/n LE093506)

28 rounds plus 1 in the chamber - Officer Davis' M4 rifle (s/n LE093502)

After Sgt. Brown rendered the guns safe, I secured the rifles in their carrying bag and transferred the rifles to Leslie Poole who would later conduct a functionality test on each rifle at the lab.

I later transferred the videos to DVD that I booked as evidence along with the original flash memory card at Police Headquarters.

**PHYSICAL EVIDENCE:**

Numerous items of evidence were documented and collected from the above described scene. For exact location and descriptions of evidence collected from the scene, please refer to the CSI reports, diagrams, and photographs. CSI collected all evidence at my direction and later booked it into the SPD Evidence and Property Section. All of the evidence items were assigned numbered placards and photographed, in place, with the numbered placards.

The following evidence items were booked under property report #763478 by CSI Officer Cruz:

Outside of 8349 Folsom Blvd

Placard Number	Description / Location:
1	flash bang spoon
2	flash bang spoon
3	used flash bang
4	used flash bang
5	flash bang pin
6	one .223 casing
7	one .223 casing
8	one .308 casing
9	one .223 casing
10	one .308 casing
11	one .308 casing
12	one live .308 round

Inside of utility room - 8349 Folsom Blvd

13	A/C adapter with cord
14	apparent burnt material
15	apparent burnt material
16	apparent glass fragments



# SACRAMENTO POLICE DEPARTMENT

## PUBLIC HARDCOPY

### RELEASED PER PUBLIC RECORDS ACT REQUEST

GO# SA 2012-332558 CLEARED  
EXCEPTIONALLY

1315-19 245(A)(1)AWDW-NON-FIREARM

Follow Up Report # SA 1

17	black and purple long sleeve shirt
18	two yellow Bic lighters
19	black flashlight

Evidence collected by Criminalists Poole and Hooks from inside of the restaurant included bullet fragmentation and the suspect's .22 caliber revolver that was loaded with 6 live rounds. There was numerous strike marks located in the restaurant that were caused by bullets fragmenting after they came through the windows of the business. Please refer to the crime lab report for full details of the evidence located inside of the restaurant.

#### DEPARTURE:

On 12/09/12 at approximately 0330 hrs, [REDACTED] of Gray Construction & Securement services arrived per my request (through SPD dispatch) to secure the restaurant. [REDACTED] secured wood to the plate glass window frames on the south and west side of the restaurant that were damaged by gunfire.

I subsequently called [REDACTED] to inform him that I could not lock a door to the restaurant. After many attempts to lock the door, [REDACTED] agreed to respond in order to take control of his business. A patrol officer stood by and waited for [REDACTED] to arrive.

I removed and disposed of the crime scene ribbon that was used to secure the inner and outer perimeters.

#### DISPATCH COMMUNICATIONS:

On 12/12/12, I requested that Sergeant Enriquez submit a Dispatch Activity Report request (SPD 878) to the SPD Communications Center to obtain a copy of Radio Call #12-332558, as well as all associated connect-up calls.

Detective MacLafferty requested CHP 911 calls.

#### FOLLOW UP INVESTIGATION:

On 12/09/12 at approximately 0300 hrs, after Leslie Poole and Jason Hooks finished the processing of the interior scene, I obtained a set of keys and a pair of sunglasses that were determined to belong to [REDACTED]. The keys and sunglasses were on a table located along the west side of the restaurant in the dining area. I secured the keys and glasses in my automobile.

At approximately 1200 hrs, I returned the set of keys and the pair of sunglasses to [REDACTED] at [REDACTED] 45th St.



# SACRAMENTO POLICE DEPARTMENT

## PUBLIC HARDCOPY

### RELEASED PER PUBLIC RECORDS ACT REQUEST

GO# SA 2012-332558 CLEARED  
EXCEPTIONALLY

1315-19 245(A)(1)AWDW-NON-FIREARM

Follow Up Report # SA 1

I sent a DA-7 request to Leslie Poole formally requesting a functionality test on the SWAT rifles (pr# 763594 1-6) that were fired during the incident.

On 12/11/12 at approximately 1045 hrs, I arrived at the Sacramento County Coroner's office to attend the autopsy of Xang Khang. Dr. Reiber performed the autopsy. Dr. Reiber located 5 bullet strikes on Khang along with one bullet jacket strike. Khang had numerous small injuries that were consistent with bullet fragmentation or broken glass on his upper and lower legs, per Dr. Reiber.

Per Dr. Reiber, Khang was shot in his left shoulder, left upper chest, penis, lower middle back and upper left back. Khang was hit in his right upper chest area with a bullet jacket. Dr. Reiber was able to locate numerous pieces of bullet fragmentation from Khang's body. (Please refer to the autopsy report for full details)

On 12/12/12, I worked on locating in car camera video from officers who were on scene. I located a video from Officer Streich's vehicle that appeared to be parked on Folsom Blvd facing Jack in the Box from a northwest direction. The video shows the SWAT team's actions on the east side of the Jack in the Box during the incident. K9 Officer Thompson's vehicle was parked to the east of the SWAT Bear Cat during the incident. Although Officer Thompson's ICC didn't record any officer's actions, the audio clearly depicts the succession of gunfire and flash bang deployment. Officer Ley's vehicle was parked facing southwest at the northeast corner of the Jack in the Box. Officer Ley's video shows the deployment of two flash bangs on the north side of the restaurant. The following is a list of ICC's that were recording at some point during the incident:

Officer	Video
Streich	232250.av
Thompson	212533.av
Ley	203745.av
McPhail	235425.av
Marks	003920.av
Lommori	203443.av
Freeman	203523.av
Duckham	203749.av
McAllaghan	231554.av
Strautman	202928.av

Officer Mulligan noted in his observations that his ICC automatically activated during his Code-3 run to the scene. Neither I nor Detective Burke was able to find the video on the server.

At approximately 1110 hrs, Leslie Poole called me to advise that during a functionality test of Officer Villegas' rifle, she located a live cartridge in the chamber. Leslie Poole advised that the safety was on and the bolt was open. I reviewed the video of SWAT Sergeant Brown unloading the rifle. Sergeant Brown unloaded the rifle while the muzzle was at a downward angle. When Sergeant Brown opened the floor plate,



# SACRAMENTO POLICE DEPARTMENT

## PUBLIC HARDCOPY

### RELEASED PER PUBLIC RECORDS ACT REQUEST

GO# SA 2012-332558 CLEARED  
EXCEPTIONALLY

1315-19 245(A)(1)AWDW-NON-FIREARM

Follow Up Report # SA 1

the bolt slid forward at the same time that the live rounds in the magazine fell from the gun. The bolt stripped a round and fed it into the chamber.

On 12/13/12, I was informed that the Crime Lab was finished with the functionality test of the SWAT rifles. SWAT personnel were instructed to retrieve the rifles from the crime lab.

At approximately 1420 hrs, I spoke to Criminalist Leslie Poole. Poole informed me that the six SWAT rifles that she tested had been released to SWAT Officer Lightfoot.

At approximately 1530 hrs, I received an envelope from the SPD communications center that contained a CD of the 911 calls related to this event. I booked the CD as evidence.

On 12/18/12, Detective MacLafferty provided me with the CHP 911 calls that were received by their dispatch center regarding this incident. I burned the calls to disc and booked the disc as evidence.



# SACRAMENTO POLICE DEPARTMENT

## PUBLIC HARDCOPY

RELEASED PER PUBLIC RECORDS ACT REQUEST

GO# SA 2012-332558 CLEARED  
EXCEPTIONALLY

1315-19 245(A)(1)AWDW-NON-FIREARM

Follow Up Report # SA 1

### Narrative Text Report # 31

Document: **06 DETECTIVE SUPPLEMENT**

Author: **3178 - RICHARDSON, S 0621** (██████████)

Subject: **DET. RICHARDSON'S SUPP**

Related date/time: **Dec-26-2012 (Wed.) 1151**

Observations: Det. Richardson #0621 (IV62)

I, Detective Richardson #621, am currently assigned to the Gang Investigations Unit with the Sacramento Police Department. On Saturday, 12-08-12, at approximately 1620 hours, I received a phone call from SPD Detective Kirtlan #0329 (IV145) where I was notified of a call out for an officer-involved shooting (OIS). I had also been informed that this OIS was related to the situation that had been ongoing at the Jack in the Box located at 8349 Folsom Blvd. I was requested to respond to the Raley's Shopping Center located at 8391 Folsom Blvd. just to the east of the Jack in the Box. I responded to the scene from home and arrived at approximately 1720 hours.

Upon arrival I observed that the scene and surrounding area was cordoned off and secured with yellow crime scene tape by marked patrol vehicles and uniformed police personnel. At the scene there were already numerous officers, detectives, supervisors and managers on scene.

At approximately 1738 hours, I, along with other investigators on the case, attended a field briefing conducted by Lt. Joy. During this briefing, we were advised of the facts of the case as they were known at the time.

I was assigned by Sgt. Enriquez to interview one of the employees from the Jack in the Box and a witness that had information about what occurred. Sgt. Enriquez informed me that all of the employees that were inside the Jack in the Box during the initial robbery/hostage takeover had been transported to our Central Station located at 300 Richards Blvd. and would need to be transported to the Sacramento County Sheriff's Homicide Division's location to be interviewed there as all of our (SPD) interview rooms would be in use for SPD officers involved in the OIS.

After receiving my assignment I arrived at our Central Station with Detective Alonso, Detective Ayers, and Detective Toel. All witnesses/employees had been seated in the Tactical Briefing room located on the second floor. Detective Mouzis had been directed by Sgt. Enriquez to be the contact person and assist in setting up the interview rooms at the SSD facility located at 4510 Orange Grove Ave. In the Tactical Briefing room I contacted and introduced myself to ██████████ and ██████████, where I informed them that I would be transporting them to another facility where we would be conducting their interviews. ██████████ advised me that ██████████ was her cousin and asked if they could be transported together. I transported ██████████ and ██████████ and ██████████ to 4510 Orange Grove. At approximately 1930 hrs, we arrived at 4510 Orange Grove Ave (SSD's Detective Division).

I later interviewed (V) ██████████ and (W) ██████████. The interviews were audio/video recorded and will be retained with this case (see statements).

Detective Mouzis asked me to transport (V) ██████████ and (W) ██████████ to ██████████, ██████████ (residence of (V) ██████████) and obtain (V) ██████████ clothing and shoes.



# SACRAMENTO POLICE DEPARTMENT

## PUBLIC HARDCOPY

RELEASED PER PUBLIC RECORDS ACT REQUEST

GO# SA 2012-332558 CLEARED  
EXCEPTIONALLY

1315-19 245(A)(1)AWDW-NON-FIREARM

Follow Up Report # SA 1

I transported (V) and (W) [REDACTED] to [REDACTED] and obtained (V) [REDACTED] clothing and shoes.

I transported the (V) [REDACTED] clothing and shoes to SPD Property where CSI, Officer Conover was booking evidence. I transferred the property to Ofc. Conover.



# SACRAMENTO POLICE DEPARTMENT

## PUBLIC HARDCOPY

RELEASED PER PUBLIC RECORDS ACT REQUEST

GO# SA 2012-332558 CLEARED  
EXCEPTIONALLY

1315-19 245(A)(1)AWDW-NON-FIREARM

Follow Up Report # SA 1

### Narrative Text Report # 32

Document: **06 DETECTIVE SUPPLEMENT**  
Author: **1010 - TRIMPEY, JR, LARRY 0806**  
Subject: **TRIMPEY: OBSERVATIONS**  
Related date/time: **Jan-16-2013 (Wed.) 1627**

Observations: Det. Trimpey #0806 (IV106)

I have been employed by the Sacramento Police Department as a Police Officer since 2001. I am currently assigned to the Office of Investigations as a Detective with the Homicide Unit. On 12/8/12, at approximately 1615 hours, I was notified by Det. Kirtlan of a homicide team call out at 8349 Folsom Blvd for an officer involved shooting.

I responded directly to the scene and arrived at approximately 1715 hours. Upon arrival I checked in with the crime scene recorder, Officer Briggs #887, and proceeded to the briefing location. I observed the parking lot surrounding the Jack in the Box was taped off with yellow crime scene tape. I observed eastbound and westbound traffic on Folsom Blvd was completely shut down to through traffic in both directions.

At approximately 1737 hours, Lt. Dennis Joy #4023 briefed all assembled regarding the details of the officer involved shooting. I was advised SWAT team officers responded to a hostage situation with an armed hostage taker. Fearing for the safety of the hostage six members of the SWAT team discharged rounds at approximately 1544 hours and the hostage taker was hit. After the briefing, I was advised by Sgt. Enriquez (Homicide Sgt. in charge of investigation) that I would be tasked with interviewing Officer Edgerton regarding his actions.

At approximately 1852 hours, Det. Kirtlan, Sgt. Stigerts and I conducted a public safety walk through with Officer Edgerton and his attorney, Sean Howell, regarding his actions as they pertained only to public safety. Officer Edgerton identified a location on the driver's side of the Bearcat as the location he fired. The location was near the driver's side front tire and his feet were positioned on a step stool which was still in place. The weapon used by Officer Edgerton, an AR-10 rifle, was still in place on the hood of the Bearcat. Officer Edgerton advised he discharged one to two rounds in the direction of the east entry/exit door of the business or westbound from his location.

At the conclusion of the public safety walk through I responded to 300 Richards Blvd to take a statement from Officer Edgerton. At approximately 2057 hours, I obtained a statement from Officer Edgerton about his actions during the call out. Officer Edgerton was accompanied in the interview room by his attorney, Sean Howell. The interview was DVD/DVR recorded and a copy of the recording was later booked as evidence. The recording is available for transcription if necessary.



# SACRAMENTO POLICE DEPARTMENT

## PUBLIC HARDCOPY

RELEASED PER PUBLIC RECORDS ACT REQUEST

GO# SA 2012-332558 CLEARED  
EXCEPTIONALLY

1315-19 245(A)(1)AWDW-NON-FIREARM

Follow Up Report # SA 1

### Narrative Text Report # 33

Document: **06 DETECTIVE SUPPLEMENT**

Author: **477 - JOHNSON, M 0706** ( )

Subject: **DET. JOHNSON'S OBS.**

Related date/time: **Jan-18-2013 (Fri.) 1700**

I am a detective assigned to the Homicide Unit with the primary responsibility of investigating homicides, suspicious deaths, in-custody deaths, and officer-involved incidents.

On 12-8-12 at 1600 hours, I was notified by telephone to respond to the scene of an officer-involved shooting that occurred at the Jack-in-the-Box restaurant located at 8349 Folsom Boulevard. I arrived at 1650 hours.

Once the entire investigative team arrived, Lt. D. Joy conducted an incident briefing to relate all the facts of the incident known up to that point as follows (synopsis:)

On 12-8-12 at 1232 hours, SPD began receiving 911 calls from complainants reporting an armed robbery in-progress inside Jack-in-the-Box. The 911 calls contained information that the suspect was an Asian male in his early 20's pointing a gun at the employees. Another caller reported seeing a male at the back door wearing clothing with the word "Agent" on it. At 1237 hours, information was received that the suspect had pulled the trigger of the gun and the gun didn't discharge.

At 1241 hours, Sgt. P. Freeman arrived at the back door of Jack-in-the-Box as other officers contained the perimeter. During this time, patrol officers were able to identify a number of customers and employees who were able to escape from the restaurant. Information obtained from them indicated that the suspect was still inside the restaurant, armed, and holding female hostages. This information resulted in a SWAT and Hostage Negotiation Team call-out.

At 1258 hours, a command post was established. Sgt. M. Lommori arrived to coordinate control of the outer perimeter, while Sgt. M. Poroli arrived to coordinate the debriefing and control of witnesses. At 1324 hours, the SPD SWAT team arrived.

During the course of the incident, Patrol Officer A. Howland was dispatched to contact a family at a nearby residential motel who reported to SPD that they were in phone contact with a family member being held hostage inside Jack-in-the-Box. Officer Howland was able to establish contact with the female hostage and obtain intelligence that a single suspect was holding two female employees hostage inside the restaurant. The Hostage Negotiation Team later took over this line of communication, and eventually established direct phone contact with the suspect.

The Incident Commander, Lt. J. Watson, authorized the SWAT team to use lethal force to rescue any hostages when a safe opportunity arose.





# SACRAMENTO POLICE DEPARTMENT

## PUBLIC HARDCOPY

### RELEASED PER PUBLIC RECORDS ACT REQUEST

GO# SA 2012-332558 CLEARED  
EXCEPTIONALLY

1315-19 245(A)(1)AWDW-NON-FIREARM

Follow Up Report # SA 1

At one point in the negotiations, a female hostage either escaped or was released by the suspect. Some time afterwards, the HNT learned that the suspect was going to use the restroom, the suspect then took the second female hostage into the restroom with him.

When the suspect emerged from the men's restroom with the hostage, six SWAT officers fired shots at the suspect after seeing the hostage step away from him. These shots incapacitated the suspect, and allowed the SWAT entry team to rescue the second hostage. First aid was immediately rendered to the suspect, and he was found lying on top of a handgun when aid was rendered. The suspect was transported to UCDMC by paramedics at was pronounced dead at 1701 hours. No identification was in the suspect's possession at the time the incident ended. (End synopsis.)

Homicide Sgt. F. Enriquez designated me case agent, and assigned me to interview SWAT Officer. A. Villegas who was one of the SWAT officers who fired a shot at the suspect.

On 12-8-12 at 1827 hours, I attended a walk-through of the position where Ofc. Villegas fired a shot. This location was in a tire storage lot of a business directly across the street from Jack-in-the-Box on the south side of Folsom Boulevard. Ofc. Villegas reported that he was positioned to the west of SWAT Ofc. Lightfoot and that he fired one shot to the north through a window on the south side of Jack-in-the-Box. Ofc. Villegas pointed out his rifle and the rifle of Ofc. Lightfoot in the positions they left them, and a section of chain link fence that he cut out to create an unobstructed field-of-fire. I saw one spent casing and one live round on the ground adjacent to the shooting positions. The walk-through was attended by Sgt. M. Stigerts, Internal Affairs Sgt. Vassalo, SPOA representative Dustin Smith, Det. J. Kirtlan, and SPOA attorney Judith A. Odbert.

At the conclusion of the walk-through, Ofc. Villegas was transported to the Hall of Justice and was afforded consultation time with attorney Judith A. Odbert.

At 2057 hours, I commenced an interview of Ofc. Villegas in interview room #5 with legal counsel present. This interview was audio/video recorded and later booked as evidence. At the time of the interview, Ofc. Villegas was unarmed, and informed me that his duty weapons were still at the scene (a .308 sniper rifle left in place at his shooting position, and .40 caliber pistol in his gear bag, also left near his shooting position.) Det. Kirtlan and SWAT Sgt. Brown conducted the weapons examinations at the scene (See Det. Kirtlan's scene report for details.)

On 12-9-12 at approximately 1200 hours, Det. MacLafferty informed me that the coroner's office identified the suspect as Xang KHANG, DOB 4-13-86. I conducted SPD records checks on KHANG and found his most recent address was [REDACTED].

On 12-9-12 at approximately 1335 hours, Det. MacLafferty, Det. Toel, and I arrived at [REDACTED], to contact KHANG'S family and request to search his belongings for evidence that could explain his actions on 12-8-12. This contact was recorded with a digital audio recorder, later transferred to CD and booked as evidence.

We contacted [REDACTED], who identified himself as a brother of Xang KHANG. [REDACTED] granted us permission to search Xang's bedroom, and led Det. MacLafferty and me to the northwest bedroom. I found the door was



# SACRAMENTO POLICE DEPARTMENT

## PUBLIC HARDCOPY

### RELEASED PER PUBLIC RECORDS ACT REQUEST

GO# SA 2012-332558 CLEARED  
EXCEPTIONALLY

1315-19 245(A)(1)AWDW-NON-FIREARM

Follow Up Report # SA 1

closed, but unlocked. When I tried to open it, I found that a mattress and TV were pushed up to the door in an apparent attempt to barricade it. Once inside, I noticed a window to the back yard was open and was blocked by a mattress box-spring. There was no screen on the window, and the room had the appearance of the box spring being pulled towards the window from the outside as though someone left through the window.

On a bookshelf in the room I found a prescription bottle issued to Xang KHANG for Seroquil. In a plastic shopping-type bag on the floor, I found several sample boxes of the prescription medication Abilify. Based on my training and experience, I knew that Seroquil and Abilify were psychiatric medications. Det. MacLafferty informed me that he located a live .22 caliber round in the closet. I summoned CSI Ofc. Piersol to [REDACTED]-16th Avenue to photograph the medications and the .22 caliber round prior to their collection as evidence. Det. MacLafferty collected these items and later booked them as evidence.

On 2-27-13, I received a DVD copy of the 3D ScanStation crime scene data prepared by the Sacramento County Crime Lab. I booked the DVD as evidence.

Upon reviewing the statements and evidence, it appeared that Xang KHANG entered Jack in the Box armed with a loaded handgun for the purpose of committing a robbery. During the commission of the robbery, KHANG took employees [REDACTED], [REDACTED], and [REDACTED] hostage. [REDACTED] and [REDACTED] were later able to escape, but KHANG was able to keep [REDACTED] as a hostage at gunpoint. SPD's Hostage Negotiation Team conducted telephonic negotiations with KHANG in attempt to convince him to release all hostages and surrender peacefully. After KHANG failed to cooperate with the negotiators, and his demeanor indicated he represented a threat to [REDACTED] (which included known information that KHANG attempted to shoot a hostage), the incident commander authorized deadly force to rescue [REDACTED]. Six SWAT members simultaneously fired at KHANG which successfully neutralized the threat he posed and resulted in the safe rescue of [REDACTED].

No evidence was uncovered that indicated KHANG was aided by any accomplices. Based on the facts known and the evidence recovered, it appeared that KHANG was likely under the influence of methamphetamine when the incident began. KHANG saw V-[REDACTED] as she attempted to flee, at which time he raised his gun and V-[REDACTED] heard the gun "click," as though he pulled the trigger but nothing happened. KHANG was able to capture V-[REDACTED] and V-[REDACTED] and hold them at gunpoint. During their captivity, KHANG pistol-whipped and otherwise physically assaulted them. After V-[REDACTED] escaped, KHANG attempted to force V-[REDACTED] to orally copulate him but he didn't pursue the sex assault after she refused him. KHANG attempted to put the barrel of the gun into the mouths of victim's [REDACTED] and [REDACTED] during the incident as well.

After V-[REDACTED] escaped, V-[REDACTED] was forced into a bathroom with KHANG where he began cleaning himself and made statements to her indicating he was on methamphetamine and experiencing paranoid thoughts that the police were going to drop in through the ceiling.

Based on all the facts obtained, it appeared that KHANG'S behavior while armed with a loaded handgun showed that V-[REDACTED] was in imminent danger of losing her life. Since KHANG had extensive opportunity to negotiate



**SACRAMENTO POLICE DEPARTMENT**

**PUBLIC HARDCOPY**

**RELEASED PER PUBLIC RECORDS ACT REQUEST**

**GO# SA 2012-332558 CLEARED  
EXCEPTIONALLY**

**1315-19 245(A)(1)AWDW-NON-FIREARM**

**Follow Up Report # SA 1**

a safe surrender via SPD Hostage Negotiation Team members and refused to cooperate with them, deadly force was the only reasonable and necessary option available to save V- [REDACTED] life.

Investigation completed; submitted to the Sacramento County DA'S office for review.



SACRAMENTO POLICE DEPARTMENT

PUBLIC HARDCOPY

RELEASED PER PUBLIC RECORDS ACT REQUEST

GO# SA 2012-332558 CLEARED  
EXCEPTIONALLY

1315-19 245(A)(1)AWDW-NON-FIREARM

Follow Up Report # SA 1

**Narrative Text Report # 34**

Document: **06 DETECTIVE SUPPLEMENT**

Author: **477 - JOHNSON, M 0706** (██████████)

Subject: **OOI - PHOTO CD REQUEST**

Related date/time: **Jun-18-2013 (Tue.) 947**

From: JOHNSON, MARK 0706  
To: PHOTO REQUEST; JOHNSON, MARK 0706  
Subject: OOI - PHOTO CD REQUEST  
Date: Tue. Jun 18, 2013 @ 09:46:59

Sacramento Police Department  
Request for Photo CD

Date: [Jun-18-2013 ]

Requested By: [DET. M. JOHNSON #706 ]

Unit/Handle: [HOMIC ]

Please copy the following photos onto a cd.

Report Number:	Photos taken by:	Date:
[ ]	[ ]	[ ]
[ ]	[ ]	[ ]
[ ]	[ ]	[ ]
[ ]	[ ]	[ ]
[ ]	[ ]	[ ]

--OR--

Please Download all CSI photographs from Digital Crime Scene (DCS) Database  
And Inter-Office the CD(s) to the above requestor for the following GO:

GO#:	Crime Type:	Number of Copies:
[12-332558 ]	[245PC ]	[1 ]

Special Instructions:

[If possible, please deliver this disk directly to DDA Ron Linthicum.  
]



# SACRAMENTO POLICE DEPARTMENT

## PUBLIC HARDCOPY

RELEASED PER PUBLIC RECORDS ACT REQUEST

GO# SA 2012-332558 CLEARED  
EXCEPTIONALLY

1315-19 245(A)(1)AWDW-NON-FIREARM

Follow Up Report # SA 2

## Follow Up Report # SA 2

### Assignment Information

Assigned to: **3937 - BRIGGS, SABRINA 3025** Rank:

Capacity: **SUPPLEMENTAL ADD (NOT FOR DETECTIVE USE)** Org unit: **OOO PATROL DIST 6 MID (TEAM 35)**

Assigned on: **Dec-08-2012 (Sat.) 1737** by: **3937 - BRIGGS, SABRINA 3025**

Report due on: **Dec-11-2012 (Tue.)**

### Submission Information

Submitted on: **Dec-08-2012 (Sat.) 2317**

Approved on: **Dec-09-2012 (Sun.)** by: **268 - ENRIQUEZ, F 3020 (████████)**

### Follow Up Conclusion

Follow Up concluded: **Yes**

---

### Narrative Text Report # 1

Document: **04 OBSERVATIONS**

Author: **3937 - BRIGGS, SABRINA 3025**

Subject: **S. BRIGGS #887**

Related date/time: **Dec-08-2012 (Sat.) 2252**

On 12-08-2012 at approximately 1616 hours, I (Ofc. Briggs #887) and Ofc. Gates #257 were dispatched to 8349 Folsom Blvd (Jack-In-The-Box) to assist on a perimeter of a robbery time-element. We arrived on scene at approximately 1627 hours.

On scene, Sgt. Freeman (2SM6) assigned perimeter spots. I took over as scene recorder from Ofc. Knoblock until 1951 hours.

Ofc. Gates maintained the door located on the East side of the business until relieved by Sgt. Stigerts at 1951 hours.

I turned in the log to Sgt. Morris (3SM3).



**SACRAMENTO POLICE DEPARTMENT**

**PUBLIC HARDCOPY**

**RELEASED PER PUBLIC RECORDS ACT REQUEST**

**GO# SA 2012-332558 CLEARED  
EXCEPTIONALLY**

**1315-19 245(A)(1)AWDW-NON-FIREARM**

Follow Up Report # SA 3

**Follow Up Report # SA 3**

**Assignment Information**

Assigned to: **3991 - DAVIS, RYAN G. 0896** Rank:

Capacity: **SUPPLEMENTAL ADD (NOT FOR DETECTIVE USE)** Org unit: **OOO PATROL DIST 3 LATE  
(TEAM 19)**

Assigned on: **Dec-09-2012 (Sun.) 1737** by: **3991 - DAVIS, RYAN G. 0896**

Report due on: **Dec-11-2012 (Tue.)**

**Submission Information**

Submitted on: **Dec-09-2012 (Sun.) 645**

Approved on: **Dec-09-2012 (Sun.)** by: **268 - ENRIQUEZ, F 3020 ( )**

**Follow Up Conclusion**

Follow Up concluded: **Yes**

---

**Narrative Text Report # 1**

Document: **04 OBSERVATIONS**

Author: **3991 - DAVIS, RYAN G. 0896**

Subject: **DAVIS 896**

Related date/time: **Dec-08-2012 (Sat.) 2348**

2348-0000



# SACRAMENTO POLICE DEPARTMENT

## PUBLIC HARDCOPY

RELEASED PER PUBLIC RECORDS ACT REQUEST

GO# SA 2012-332558 CLEARED  
EXCEPTIONALLY

1315-19 245(A)(1)AWDW-NON-FIREARM

Follow Up Report # SA 4

## Follow Up Report # SA 4

### Assignment Information

Assigned to: **3678 - STRAUTMAN, TIMOTHY 0397** Rank:

Capacity: **SUPPLEMENTAL ADD (NOT FOR DETECTIVE USE)** Org unit: **OOO PATROL DIST 3 DAY (TEAM 14)**

Assigned on: **Dec-09-2012 (Sun.) 1737** by: **3678 - STRAUTMAN, TIMOTHY 0397**

Report due on: **Dec-11-2012 (Tue.)**

### Submission Information

Submitted on: **Dec-09-2012 (Sun.) 908**

Approved on: **Dec-09-2012 (Sun.)** by: **268 - ENRIQUEZ, F 3020 ( )**

### Follow Up Conclusion

Follow Up concluded: **Yes**

---

### Narrative Text Report # 1

Document: **04 OBSERVATIONS**

Author: **3678 - STRAUTMAN, TIMOTHY 0397**

Subject: **STRAUTMAN #397**

Related date/time: **Dec-09-2012 (Sun.) 838**

On Saturday, 12/08/12 at approximately 1235 hours, I (Ofc Strautman #397) was dispatched to 8349 Folsom Blvd (Jack in the Box) regarding a possible robbery in progress. Remarks on the call stated that a subject was inside the fast food restaurant and was armed with a gun.

I responded Code 3 from the Sacramento County Main Jail. Other patrol units were on scene prior to my arrival.

Upon my arrival I took a perimeter position along the east side with Officer Wilhite #842. We were using Officer Wilhite's vehicle as cover. His patrol vehicle was parked on Folsom Blvd in front of Chinese food restaurant called Umeko Buffet (8353 Folsom Blvd). We had a clear and unobstructed view of the southeast corner of the Jack in the Box. Ofc Wilhite was armed with a rifle and I was armed with my department issued shotgun. We held this position for approximately 2 hours. I did not observe any persons enter or leave the restaurant during that time.

I was relieved of my position when the SWAT Team moved their armored vehicle near the east wall. At that point Ofc Wilhite and I moved further east and insured no pedestrians entered the area. I was relieved from that



# SACRAMENTO POLICE DEPARTMENT

## PUBLIC HARDCOPY

RELEASED PER PUBLIC RECORDS ACT REQUEST

GO# SA 2012-332558 CLEARED  
EXCEPTIONALLY

1315-19 245(A)(1)AWDW-NON-FIREARM

Follow Up Report # SA 4

position at approximately 1530 hours by a swing shift officer. I returned to the station and was not present when the SWAT Team made entry into the restaurant. I did not speak with any witnesses or victims.

ICC Info:

Veh 11288 Approx time stamp: 12:30:00

End of Statement





# SACRAMENTO POLICE DEPARTMENT

## PUBLIC HARDCOPY

RELEASED PER PUBLIC RECORDS ACT REQUEST

GO# SA 2012-332558 CLEARED  
EXCEPTIONALLY

1315-19 245(A)(1)AWDW-NON-FIREARM

Follow Up Report # SA 5

## Follow Up Report # SA 5

### Assignment Information

Assigned to: **3370 - MANTELL, CHARLES 3109** Rank:

Capacity: **SUPPLEMENTAL ADD (NOT FOR DETECTIVE USE)** Org unit: **OOO PATROL DIST 3 DAY (TEAM 14)**

Assigned on: **Dec-08-2012 (Sat.) 1744** by: **3370 - MANTELL, CHARLES 3109**

Report due on: **Dec-11-2012 (Tue.)**

### Submission Information

Submitted on: **Dec-08-2012 (Sat.) 1831**

Approved on: **Dec-09-2012 (Sun.)** by: **268 - ENRIQUEZ, F 3020 (████████)**

### Follow Up Conclusion

Follow Up concluded: **Yes**

---

### Narrative Text Report # 1

Document: **04 OBSERVATIONS**

Author: **3370 - MANTELL, CHARLES 3109**

Subject: **OFC. MANTELL, #208**

Related date/time: **Dec-08-2012 (Sat.) 1635**

On 12/08/12 at approx 1236hrs, I (Ofc. Mantell, #208) was dispatched to 8349 Folsom Blvd (Jack n the Box) regarding a "take over" Robbery in Progress involving a gun. The following are my observations in summary.

Per the text of the initial call, "Someone with a gun at the Jack N the Box! with that 911 caller screaming.

Dispatch immediately got a duplicate call from a female out of breath, stating, "Please help us."

Dispatch received another duplicate, stating that "Business just robbed-suspect had a gun..."

I began responding code-3 from the area of 16th St/W towards the scene.

While responding to the scene Dispatch received multiple updates, with one stating "suspect is male Asian, 35, small build, purple striped shirt, and that he was still onscene and had the gun to one of the employees."

Another update stated he was "Male Asian, 19yrs old, thin, red plaid shirt,



# SACRAMENTO POLICE DEPARTMENT

## PUBLIC HARDCOPY

### RELEASED PER PUBLIC RECORDS ACT REQUEST

GO# SA 2012-332558 CLEARED  
EXCEPTIONALLY

1315-19 245(A)(1)AWDW-NON-FIREARM

Follow Up Report # SA 5

blue jeans, armed with a gun, telling customer to get out of the store while he was robbing it."

Multiple units were responding code-3 to this call as we got another caller, stating there was an additional subject described as a MWA with a gun, and a vest that said "AGENT" at the back door of the business.

Another caller stated that the "subject with the gun is still inside, and possibly two subjects at the back door as well.

As I was getting close to the area while responding code-3, one last supplement came in stating that there was a plain clothes CIA AGENT on scene, and he was described as a MWA 30's, 6'0", brown plaid jacket, who is also armed with a gun, standing by the back door looking inside.

The last update I received prior to marking on scene was that the "Suspect pulled the trigger of the gun, but no one is shot."

I arrived on scene in the area at approx 1240hrs. I immediately deployed my Department rifle, and took a position behind a planter box approx 30yards to the northwest of the corner of the Jack n the Box building. Upon my arrival, 1B64, Ofc. Brown, and 1B35, Ofc. Baker, were also in the same location that I was in, and covered my position.

2SM3, Sgt. Lommori and multiple other units were on the northeast side, and several units were covering the front. Multiple other officers were requested to respond for scene control, traffic control. SWAT units and their equipment, and Hostage Negotiators were also called to assist.

I remained at my inner perimeter position while the scene was stabilized. The customers and employees who were originally inside were contacted by other units, and there were two employees unaccounted for who were possibly still inside the business, as the suspect's hostages.

After quite some time of inactivity inside the business, units observed movement inside, and an older FIA employee (unknown name) was allowed to exit the business. She was contacted and also brought to the Command Post for debriefing. This hostage advised there was only one other hostage inside with the suspect and provided their descriptions.

After more time of inactivity, I observed some movement in the drive-through window. At this time the suspect was bringing the last hostage to the bathroom with him. SWAT units observed him go to the bathroom with the last hostage. The suspect and the hostage then came back



# SACRAMENTO POLICE DEPARTMENT

## PUBLIC HARDCOPY

### RELEASED PER PUBLIC RECORDS ACT REQUEST

GO# SA 2012-332558 CLEARED  
EXCEPTIONALLY

1315-19 245(A)(1)AWDW-NON-FIREARM

Follow Up Report # SA 5

out of the bathroom where he was engaged by SWAT officers (see their supplements) The hostage was freed and the suspect sustained an unknown number of gunshot wounds.

Once the scene inside the business was secured, Medic 8/Engine 60 immediately provided medical aid to the suspect and transported him to UC Davis Med Center for treatment.

I remained at my post until relieved by Sgt. Lommori.

(No further involvement)



**SACRAMENTO POLICE DEPARTMENT**

**PUBLIC HARDCOPY**

**RELEASED PER PUBLIC RECORDS ACT REQUEST**

GO# SA 2012-332558 CLEARED  
EXCEPTIONALLY

1315-19 245(A)(1)AWDW-NON-FIREARM

Follow Up Report # SA 6

**Follow Up Report # SA 6**

**Assignment Information**

Assigned to: 3026 - HOWLAND, ANN MARIE 0839 ( ) Rank:

Capacity: SUPPLEMENTAL ADD (NOT FOR DETECTIVE USE) Org unit: OOO PATROL DIST 1 DAY  
(TEAM 2)

Assigned on: Dec-08-2012 (Sat.) 1744 by: 3026 - HOWLAND, ANN MARIE 0839 ( )

Report due on: Dec-11-2012 (Tue.)

**Submission Information**

Submitted on: Dec-08-2012 (Sat.) 1735

Approved on: Dec-09-2012 (Sun.) by: 268 - ENRIQUEZ, F 3020 ( )

**Follow Up Conclusion**

Follow Up concluded: Yes

---

**Narrative Text Report # 1**

Document: 07 SUBJECT STATEMENT

Author: 3026 - HOWLAND, ANN MARIE 0839 ( )

Subject: ( )

Related date/time: Dec-08-2012 (Sat.) 1727

---

On 12-8-12 at approximately 1346 hrs., I (Howland) contacted ( )  
at ( ) Folsom Blvd. She related the following in summary:

About 30 minutes ago my sister, ( ), called my cell phone. She was  
whispering and said, "Help me, help me! Please don't come here. He has me  
tied up." I did not hear anything in the background or anyone else's voice.



# SACRAMENTO POLICE DEPARTMENT

## PUBLIC HARDCOPY

### RELEASED PER PUBLIC RECORDS ACT REQUEST

GO# SA 2012-332558 CLEARED  
EXCEPTIONALLY

1315-19 245(A)(1)AWDW-NON-FIREARM

Follow Up Report # SA 6

#### Narrative Text Report # 2

Document: **04 OBSERVATIONS**

Author: **3026 - HOWLAND, ANN MARIE 0839** (██████████)

Subject: **HOWLAND**

Related date/time: **Dec-08-2012 (Sat.) 1456**

On 12-8-12 at approximately 1346 hrs., Ofc Cannon and I responded to ██████████ Folsom Blvd regarding a welfare check that was possibly related to a near by robbery in progress at Jack In The Box (8349 Folsom Blvd).

Upon arrival I contacted ██████████ who advised me that she was the cousin of the hostage (later identified as ██████████, AKA "██████") in the robbery at Jack In The Box. ██████████ was with ██████████ who is the little sister of ██████████. ██████████ advised me that ██████████ had called her about 30 minutes ago whispering, "Help me. Don't come here. He has me tied up." While I was on scene, ██████████ told me she had tried to call ██████████ phone earlier but received no answer. I asked ██████████ if ██████████ usually kept her cell phone on vibrate while she was working and she stated "yes". I told ██████████ to try calling ██████████ again. When ██████████ called, ██████████ answered the phone but didn't speak. ██████████ just left the line open and I was able to hear the suspect clearly. It was evident the suspect did not know ██████████ had an open line on her cell phone. for at least 3-5 minutes, I heard the suspect yelling in the background. The suspect sounded very irate, agitated, and kept repeating himself. I heard the suspect state the following in summary:

"They better not be stupid and come through the attic. I will shoot you if they do! You know I will, don't you?"

I heard ██████████ respond, "Yes I do because you have a gun to my head!"

Suspect continued (in summary):

"Man, they need to back off! I will hurt you (meaning ██████████) if they come inside of here!"

"They better not come through that door. I will shoot!"

While I was listening everything got quiet for a few seconds then ██████████ began talking to me on the phone. ██████████ said the suspect just wants two hours then he would let her go. I asked ██████████ if the suspect knew she was talking to me and she responded "yes". ██████████ was crying as she spoke to me. All of a sudden a male's voice came on the line and said, "Hello". I said, "Hello, this is Officer Ann Marie Howland with the Sacramento Police Department. The suspect said "hello" again. I told him, ██████████ said if we give you two hours you will let her go." Suspect responded, "Yes I will. You need to



# SACRAMENTO POLICE DEPARTMENT

## PUBLIC HARDCOPY

### RELEASED PER PUBLIC RECORDS ACT REQUEST

GO# SA 2012-332558 CLEARED  
EXCEPTIONALLY

1315-19 245(A)(1)AWDW-NON-FIREARM

Follow Up Report # SA 6

tell those other cops to back off or I will shoot her. They are too close. I can hear them on the roof. You better tell them to not come in. I won't hurt her if you guys give me two hours." I said, "So, if we give you two hours you won't hurt her and will let her go? I am with her family over here and they are very worried about [REDACTED]. They are afraid you are going to hurt her." The suspect stated, "I won't hurt her. I just need a few hours to chill and then I will let her go. Man, I don't know what I'm doing." I responded, "You know, we all do stupid stuff sometimes, or do things we didn't mean to do." The suspect responded, "I know. I just need two hours, then I will let her go and I will come out." I told him that I would see what I could do but he is going to have to work with me. I said, "Maybe I can get the officers to back off a bit if you give me your name." The suspect stated he didn't want to give me his name. I said, "My name is Ann Marie, if you give me your name I can see what I can do." Suspect responded, "My name is Xoing". I asked him what his last name was and he said "Khang". I told him, "Thank you for telling me your name" I then asked suspect Khang how old he was and he didn't respond. He just handed the phone back to [REDACTED]. During my conversation with suspect Khang, he seemed calm, collected, and confused. When [REDACTED] was back on the line she was crying. I asked her if she was hurt. She responded, "No". I asked her who else was in there with her. [REDACTED] said only the she and suspect Khang was inside. [REDACTED] told me that he (s-Khang) just wants two hours and then he will let her go. I asked her how old she thought the suspect was and she said 23 or 24 years old. I handed the phone back to [REDACTED] cousin [REDACTED] while I updated Sgt Poroli. [REDACTED] told me that [REDACTED] hung up.

I advised Sgt Voska (HN14) and Officer Keith Hughes with all of the information I had received from [REDACTED]. I remained at my location ([REDACTED] Folsom Blvd) until suspect Khang came out of Jack In The Box with [REDACTED]. I transported [REDACTED] to the Command Post so she could lend moral support to her cousin [REDACTED].



# SACRAMENTO POLICE DEPARTMENT

## PUBLIC HARDCOPY

RELEASED PER PUBLIC RECORDS ACT REQUEST

GO# SA 2012-332558 CLEARED  
EXCEPTIONALLY

1315-19 245(A)(1)AWDW-NON-FIREARM

Follow Up Report # SA 7

## Follow Up Report # SA 7

### Assignment Information

Assigned to: **3862 - MOK, CARLYLE 0615** Rank:

Capacity: **SUPPLEMENTAL ADD (NOT FOR DETECTIVE USE)** Org unit: **OOO PATROL DIST 6 MID (TEAM 35)**

Assigned on: **Dec-08-2012 (Sat.) 1746** by: **3862 - MOK, CARLYLE 0615**

Report due on: **Dec-11-2012 (Tue.)**

### Submission Information

Submitted on: **Dec-08-2012 (Sat.) 1709**

Approved on: **Dec-09-2012 (Sun.)** by: **268 - ENRIQUEZ, F 3020 (████████)**

### Follow Up Conclusion

Follow Up concluded: **Yes**

---

### Narrative Text Report # 1

Document: **04 OBSERVATIONS**

Author: **3862 - MOK, CARLYLE 0615**

Subject: **OFC. MOK**

Related date/time: **Dec-08-2012 (Sat.) 1658**

On 12-08-2012 at approximately 1620 hours Ofc. Hughes (badge #281) and I, Ofc. Mok (badge #615) were dispatched to 8349 Folsom Boulevard to assist with an officer involved shooting. Specifically we were to transport two subjects. We arrived on scene at approximately 1635 hours and I observed the following in summary:

Upon arriving on scene I contacted Sgt. Freeman (2SM6). He directed us to a staging area for witnesses and other involved subjects. While we drove to the staging area Ofc. Hughes contacted Sgt. Morris and he relieved us from our transport duties. We were directed to return to our sector and handle calls for service.



**SACRAMENTO POLICE DEPARTMENT**

**PUBLIC HARDCOPY**

**RELEASED PER PUBLIC RECORDS ACT REQUEST**

**GO# SA 2012-332558 CLEARED  
EXCEPTIONALLY**

**1315-19 245(A)(1)AWDW-NON-FIREARM**

Follow Up Report # SA 8

**Follow Up Report # SA 8**

**Assignment Information**

Assigned to: **1064 - WALTERS, STEVEN 0453 ( )** Rank:  
Capacity: **SUPPLEMENTAL ADD (NOT FOR DETECTIVE USE)** Org unit: **OSS METRO SWAT TEAM 10**  
Assigned on: **Dec-08-2012 (Sat.) 1746** by: **1064 - WALTERS, STEVEN 0453 ( )**  
Report due on: **Dec-11-2012 (Tue.)**

**Submission Information**

Submitted on: **Dec-08-2012 (Sat.) 2041**  
Approved on: **Dec-09-2012 (Sun.)** by: **268 - ENRIQUEZ, F 3020 ( )**

**Follow Up Conclusion**

Follow Up concluded: **Yes**

---

**Narrative Text Report # 1**

Document: **04 OBSERVATIONS**  
Author: **1064 - WALTERS, STEVEN 0453 ( )**  
Related date/time: **Dec-08-2012 (Sat.) 2037**

---





# SACRAMENTO POLICE DEPARTMENT

## PUBLIC HARDCOPY

### RELEASED PER PUBLIC RECORDS ACT REQUEST

GO# SA 2012-332558 CLEARED  
EXCEPTIONALLY

1315-19 245(A)(1)AWDW-NON-FIREARM

Follow Up Report # SA 8

#### Narrative Text Report # 2

Document: **04 OBSERVATIONS**

Author: **1064 - WALTERS, STEVEN 0453** ( )

Related date/time: **Dec-08-2012 (Sat.) 2038**

12-8-12 approx. 1252 hrs. R/o, Un-11, received a text message on my cell phone regarding a SWAT call out. The text stated there was a takeover 211 to Jack in the Box at 8349 Folsom Blvd., with hostages inside.

R/o responded Code 3 to the call out. R/o arrived approx. 1312 hrs. Upon arrival r/o heard over the radio that Sgt. Lommori #3005 had set up a contact team on the 4 side of the building. R/o responded to the contact team location on the 4 side of the building. The contact team was approx. 10 feet north of the entry door on the 4 side of the building. Other Sacramento PD SWAT operators arrived on scene and joined the contact team. Approx. 1319 hrs. R/o's were advised that if shots were fired inside the building that the contact team would be authorized to make entry.

The Bearcat arrived on scene and moved into position near the 1-4 corner. The contact team moved behind the Bearcat. R/o's assignment on the contact team was to be the first person in and to go directly towards the threat.

During the incident, we were given Rules of Engagement, for variable situations we could encounter. The last Rules of Engagement provided were that if we had visual of the suspect and he had a gun in his hands, we were to use deadly force if we had a clear shot.

We were advised that the subject was talking about using the bathroom. SWAT operators from the Bearcat and our snipers could see the subject walked the hostage down the hallway leading into the bathroom. They advised they could see a gun in the suspect's hand, but no one had a clear shot due to the proximity of the hostage.

Within a couple of minutes, Sergeant Brown advised both the suspect and hostage were coming out of the bathroom. Seconds later, several shots were fired by SWAT operators. The Hostage Rescue Team immediately headed for the east door as planned. When r/o arrived at the door the hostage was at the door. The door was opened and r/o's pulled the hostage out of the building and then r/o's made entry into the building.

R/o observed the suspect lying on the floor approx. 15 feet east of the side door that r/o's entered. The suspect was laying face down on his left side. The suspect's right hand was moving. R/o grabbed the suspect's right hand. The suspect's left hand was underneath his body. R/o grabbed



# SACRAMENTO POLICE DEPARTMENT

## PUBLIC HARDCOPY

RELEASED PER PUBLIC RECORDS ACT REQUEST

GO# SA 2012-332558 CLEARED  
EXCEPTIONALLY

1315-19 245(A)(1)AWDW-NON-FIREARM

Follow Up Report # SA 8

the suspect's left hand. R/o observed a handgun right next to the suspect's left hand. R/o advised other officers of the gun. R/o's handcuffed the suspect.



# SACRAMENTO POLICE DEPARTMENT

## PUBLIC HARDCOPY

RELEASED PER PUBLIC RECORDS ACT REQUEST

GO# SA 2012-332558 CLEARED  
EXCEPTIONALLY

1315-19 245(A)(1)AWDW-NON-FIREARM

Follow Up Report # SA 9

## Follow Up Report # SA 9

### Assignment Information

Assigned to: **3864 - HUGHES, LEVIN 0281** Rank:

Capacity: **SUPPLEMENTAL ADD (NOT FOR DETECTIVE USE)** Org unit: **OOO PATROL DIST 6 MID (TEAM 35)**

Assigned on: **Dec-08-2012 (Sat.) 1746** by: **3864 - HUGHES, LEVIN 0281**

Report due on: **Dec-11-2012 (Tue.)**

### Submission Information

Submitted on: **Dec-08-2012 (Sat.) 1714**

Approved on: **Dec-09-2012 (Sun.)** by: **268 - ENRIQUEZ, F 3020 (████████)**

### Follow Up Conclusion

Follow Up concluded: **Yes**

---

### Narrative Text Report # 1

Document: **04 OBSERVATIONS**

Author: **3864 - HUGHES, LEVIN 0281**

Subject: **OFC. L. HUGHES #281**

Related date/time: **Dec-08-2012 (Sat.) 1710**

On 12/08/12, at approx. 1620 hrs., Ofc. Mok #615 and I (Ofc. Hughes #281), 2C62, were dispatched to 8349 Folsom Blvd., at the requests of Sgt. Morris (3SM3). We were tasked with the transport of witnesses on scene to HOJ. We arrived on scene at approx. 1640 hrs., and I made the following observations in summary.

Upon our arrival I contacted Sgt. Freeman, who was at the command post; he advised Sgt. Morris was standing by at another location with the possible witnesses. I called Sgt. Morris on his cell phone to coordinate the transport. At which time Sgt. Morris advised me that the last witness had been transported and we were no longer needed at the scene. Therefore, Ofc Mok and I returned to service.



# SACRAMENTO POLICE DEPARTMENT

## PUBLIC HARDCOPY

RELEASED PER PUBLIC RECORDS ACT REQUEST

GO# SA 2012-332558 CLEARED  
EXCEPTIONALLY

1315-19 245(A)(1)AWDW-NON-FIREARM

Follow Up Report # SA 10

## Follow Up Report # SA 10

### Assignment Information

Assigned to: **3499 - LEY, FRANK 0567** Rank:

Capacity: **SUPPLEMENTAL ADD (NOT FOR DETECTIVE USE)** Org unit: **OSS SCHOOL RESOURCE**

### **PROGRAM**

Assigned on: **Dec-08-2012 (Sat.) 1747** by: **3499 - LEY, FRANK 0567**

Report due on: **Dec-11-2012 (Tue.)**

### Submission Information

Submitted on: **Dec-08-2012 (Sat.) 1754**

Approved on: **Dec-09-2012 (Sun.)** by: **268 - ENRIQUEZ, F 3020 ( )**

### Follow Up Conclusion

Follow Up concluded: **Yes**

---

### Narrative Text Report # 1

Document: **04 OBSERVATIONS**

Author: **3499 - LEY, FRANK 0567**

Subject: **OFC. FRANK LEY #567**

Related date/time: **Dec-08-2012 (Sat.) 1731**

On Saturday, 12/8/12, I (Officer Frank Ley #567, RBT86) was assigned as a School Resource Officer and working an event at Rosemont High School, 9594 Kiefer Blvd. I was in full police uniform with a marked patrol car. At approximately 1235 hours, I responded to a dispatched call at the Jack in the Box, 8349 Folsom Blvd, of a robbery in progress with the an armed suspect. I arrived on scene at approximately 1238 hours.

I initially deployed my rifle on the north side of the building covering the the north door to the business (back door) until S.W.A.T. arrived and relieved me.

I assumed a standby roll with Sgt. Freeman and 3 other officers, off the northeast corner of the building. Sgt Freeman had given us directions to retrieve the hostage from S.W.A.T. if she were to come out.

At approximately 1543 hours (per my ICC which was covering the north and east doors), I saw S.W.A.T. officer fire into the glass door on the east side of the building. The S.W.A.T. contact team moved into the building as the female hostage came out to the Bear Cat, at which point Sgt. Freeman told us to go.



**SACRAMENTO POLICE DEPARTMENT**

**PUBLIC HARDCOPY**

**RELEASED PER PUBLIC RECORDS ACT REQUEST**

**GO# SA 2012-332558 CLEARED  
EXCEPTIONALLY**

**1315-19 245(A)(1)AWDW-NON-FIREARM**

**Follow Up Report # SA 10**

I helped retrieve the hostage who was taken to the command post by another officer.



# SACRAMENTO POLICE DEPARTMENT

## PUBLIC HARDCOPY

RELEASED PER PUBLIC RECORDS ACT REQUEST

GO# SA 2012-332558 CLEARED  
EXCEPTIONALLY

1315-19 245(A)(1)AWDW-NON-FIREARM

Follow Up Report # SA 11

## Follow Up Report # SA 11

### Assignment Information

Assigned to: **580 - LOMMORI, MICHAEL 7719** Rank:

Capacity: **SUPPLEMENTAL ADD (NOT FOR DETECTIVE USE)** Org unit: **OOO PATROL DIST 3 DAY (TEAM 14)**

Assigned on: **Dec-08-2012 (Sat.) 1747** by: **580 - LOMMORI, MICHAEL 7719**

Report due on: **Dec-11-2012 (Tue.)**

### Submission Information

Submitted on: **Dec-08-2012 (Sat.) 1958**

Approved on: **Dec-09-2012 (Sun.)** by: **268 - ENRIQUEZ, F 3020** [REDACTED]

### Follow Up Conclusion

Follow Up concluded: **Yes**

---

### Narrative Text Report # 1

Document: **04 OBSERVATIONS**

Author: **580 - LOMMORI, MICHAEL 7719**

Subject: **OBSERVATIONS**

Related date/time: **Dec-08-2012 (Sat.) 1905**

---

12/08/12 At Approximately 1236 hrs I responded to multiple calls of a possible armed subject in the Jack in the Box at 8349 Folsom Blvd. I arrived on scene at approximately 1243 hours and pulled up next to Sgt.Freeman who was on scene. There was a MWA (the call had stated there was a undercover officer on scene). The subject was at the rear of the business wearing a tac vest. Sgt.Freeman called him over and he was talked to by other officers on scene. As we believed that there was a possible armed subject or subjects inside the business with hostages a perimeter was set up around the business and traffic was closed down on Folsom Blvd. Officer LaFlamme had contact with some employees who had exited the business before our arrival. They stated a subject with a gun had gone into the business and that there were employees that were not accounted for. Some other employees were located by some SRO officers who had arrived on scene. It was eventually determined that there were two employees unaccounted for and no one had seen the gunman flee the scene. Based on this information I put together an emergency rescue team and took Officers Hawley, Knoblock, Marks, and SSD K9 unit Hatfield with me up to the east side of the building and staged short of the east door. Shortly after, the first 3 SWAT officers (Officer S.Walters being their team leader) arrived on scene and came to our position. I left two officers with SWAT



# SACRAMENTO POLICE DEPARTMENT

## PUBLIC HARDCOPY

RELEASED PER PUBLIC RECORDS ACT REQUEST

GO# SA 2012-332558 CLEARED  
EXCEPTIONALLY

1315-19 245(A)(1)AWDW-NON-FIREARM

Follow Up Report # SA 11

and then went to shore up the inter perimeter and ensure no foot traffic came through the lot from the west side.

I was across from the the 3/4 side of the building(N/E) with patrol officers who were covering the drive through window and west door when SWAT engaged the suspect. I could hear gun shots and distractionary devices but from our angle could just see one of the windows(west side) spider crack. After the engagement I then assisted in getting dayshift officers relieved and making sure possible witnesses were contacted in the business directly east of the Jack in the Box.



# SACRAMENTO POLICE DEPARTMENT

## PUBLIC HARDCOPY

RELEASED PER PUBLIC RECORDS ACT REQUEST

GO# SA 2012-332558 CLEARED  
EXCEPTIONALLY

1315-19 245(A)(1)AWDW-NON-FIREARM

Follow Up Report # SA 12

## Follow Up Report # SA 12

### Assignment Information

Assigned to: **3607 - DAVIS, STEVEN J. 0234** Rank:

Capacity: **SUPPLEMENTAL ADD (NOT FOR DETECTIVE USE)** Org unit: **OOO PATROL DIST 2 MID (TEAM 10)**

Assigned on: **Dec-08-2012 (Sat.) 1747** by: **3607 - DAVIS, STEVEN J. 0234**

Report due on: **Dec-11-2012 (Tue.)**

### Submission Information

Submitted on: **Dec-08-2012 (Sat.) 2104**

Approved on: **Dec-09-2012 (Sun.)** by: **268 - ENRIQUEZ, F 3020 (████████)**

### Follow Up Conclusion

Follow Up concluded: **Yes**

---

### Narrative Text Report # 1

Document: **04 OBSERVATIONS**

Author: **3607 - DAVIS, STEVEN J. 0234**

Subject: **DAVIS #234**

Related date/time: **Dec-08-2012 (Sat.) 2046**

On 12/08/12, at approx 1510 hours, I (Ofc Davis #234) was dispatched to 8349 Folsom Blvd regarding a robbery in progress. I was sent to the location due to my status as a rifle team member. I observed the following in summary:

I responded code-3 from the Kinney Police Station to the scene without incident.

I met with Sgt Lommori who placed me in the area of the northwest corner with emphasis on covering the west entrance/exit of the location. I held this position until the event was resolved. I took no physical part in the resolution.

After the suspect was transported and the scene secured, I was directed by Sgt Lommori to keep the south side and and west entrance/exit secured. I stayed in this position until approx 1945 hours when I was relieved by Ofc Morrison.





# SACRAMENTO POLICE DEPARTMENT

## PUBLIC HARDCOPY

RELEASED PER PUBLIC RECORDS ACT REQUEST

GO# SA 2012-332558 CLEARED  
EXCEPTIONALLY

1315-19 245(A)(1)AWDW-NON-FIREARM

Follow Up Report # SA 13

## Follow Up Report # SA 13

### Assignment Information

Assigned to: 3217 - DUCKHAM, JEREMY 0676 ( ) Rank:

Capacity: SUPPLEMENTAL ADD (NOT FOR DETECTIVE USE) Org unit: OOO PATROL DIST 3 MID  
(TEAM 15)

Assigned on: Dec-09-2012 (Sun.) 1748 by: 3217 - DUCKHAM, JEREMY 0676 ( )

Report due on: Dec-11-2012 (Tue.)

### Submission Information

Submitted on: Dec-09-2012 (Sun.) 2048

Approved on: Dec-10-2012 (Mon.) by: 268 - ENRIQUEZ, F 3020 ( )

### Follow Up Conclusion

Follow Up concluded: Yes

---

### Narrative Text Report # 1

Document: 04 OBSERVATIONS

Author: 3217 - DUCKHAM, JEREMY 0676 ( )

Subject: OFC J DUCKHAM #0676

Related date/time: Dec-09-2012 (Sun.) 1915

---

On 12/8/12 I, Ofc J Duckham #0676 (MTR65) was working directed traffic enforcement in full police uniform riding a marked police motorcycle within the city and county of Sacramento.

At approximately 1500 hrs I responded to the area of Folsom Blvd and Julliard Dr to assist with a hostage situation occurring at the Jack In The Box. Upon arrival I took up a position with Ofc Bell (MTR64) at this intersection and conducted traffic enforcement for the event till approximately midnight when I was advised by IV10 to open the road. I have nothing else to report.



# SACRAMENTO POLICE DEPARTMENT

## PUBLIC HARDCOPY

RELEASED PER PUBLIC RECORDS ACT REQUEST

GO# SA 2012-332558 CLEARED  
EXCEPTIONALLY

1315-19 245(A)(1)AWDW-NON-FIREARM

Follow Up Report # SA 14

## Follow Up Report # SA 14

### Assignment Information

Assigned to: 3206 - KENSIC, KELLY 0742 ( ) Rank:

Capacity: SUPPLEMENTAL ADD (NOT FOR DETECTIVE USE) Org unit: OOO PATROL DIST 3 MID  
(TEAM 16)

Assigned on: Dec-08-2012 (Sat.) 1748 by: 3206 - KENSIC, KELLY 0742 ( )

Report due on: Dec-11-2012 (Tue.)

### Submission Information

Submitted on: Dec-08-2012 (Sat.) 2054

Approved on: Dec-09-2012 (Sun.) by: 268 - ENRIQUEZ, F 3020 ( )

### Follow Up Conclusion

Follow Up concluded: Yes

---

### Narrative Text Report # 1

Document: 04 OBSERVATIONS

Author: 3206 - KENSIC, KELLY 0742 ( )

Subject: KENSIC #742

Related date/time: Dec-08-2012 (Sat.) 2041

---

On 12/08/2012, I was on-call as a "Hazardous Devices Technician" for the Sacramento Police Department's EOD Unit. Around 1330 hrs, I received a call from SPD Dispatch regarding robbery/hostage situation at 8349 Folsom Blvd (Jack in the Box). Dispatch advised that the Lt in charge was requesting EOD respond with the EOD robot.

Upon my arrival, I staged with other members of the EOD Unit in the parking lot area of the Raley's Shopping center. Equipment to include the robot and explosive breaches were prepared at the request of SWAT Sgt. Brown. These tools were never deployed.

I contacted Lt Watson around 1645 hrs. He advised no further assistance was needed by the EOD Unit. I cleared the scene at that time.



# SACRAMENTO POLICE DEPARTMENT

## PUBLIC HARDCOPY

RELEASED PER PUBLIC RECORDS ACT REQUEST

GO# SA 2012-332558 CLEARED  
EXCEPTIONALLY

1315-19 245(A)(1)AWDW-NON-FIREARM

Follow Up Report # SA 15

## Follow Up Report # SA 15

### Assignment Information

Assigned to: **3266 - ROSIN, DOUGLAS 3021 (-)** Rank:  
Capacity: **SUPPLEMENTAL ADD (NOT FOR DETECTIVE USE)** Org unit: **OSS METRO SWAT TEAM 20**  
Assigned on: **Dec-08-2012 (Sat.) 1748** by: **3266 - ROSIN, DOUGLAS 3021 (-)**  
Report due on: **Dec-11-2012 (Tue.)**

### Submission Information

Submitted on: **Dec-08-2012 (Sat.) 1955**  
Approved on: **Dec-09-2012 (Sun.)** by: **268 - ENRIQUEZ, F 3020 ( )**

### Follow Up Conclusion

Follow Up concluded: **Yes**

---

### Narrative Text Report # 1

Document: **04 OBSERVATIONS**  
Author: **3266 - ROSIN, DOUGLAS 3021 (-)**  
Subject: **OFFICER ROSIN #828**  
Related date/time: **Dec-08-2012 (Sat.) 1950**

On December 7, 2012 at approximately 1252 hours I, Officer Rosin #828, received a text page from the Sacramento Police Departments Communication Center advising of a SWAT Call Out. The text indicated there was a, "takeover 211 to Jack In the Box 8349 Folsom Bl, hostages inside?Ln26/joy (6059) CP will be to the rear of Raleys 8391 Folsom, enter WB Folsom from Watt then NB Julliard..Ln26/joy."

I responded Code 3, emergency lights and siren, from my residence in the City of [REDACTED]. I arrived at the Command Post to the rear of Raleys at approximately 1320 hours.

Upon arrival, I requested to respond to the east side of the Jack in the Box, to assist with the Hostage Rescue Team. At the time, my assignment was that of the breacher in our four man team.

During the incident, the armored Bear Cat arrived on scene and our Hostage Rescue Team was moved behind that, along the east side, approximately 25 feet from the east door. My assignment stayed the same and I would be the breacher in all of the variable plans we had at the time.

During the incident, we were given Rules of Engagement, for variable



# SACRAMENTO POLICE DEPARTMENT

## PUBLIC HARDCOPY

### RELEASED PER PUBLIC RECORDS ACT REQUEST

GO# SA 2012-332558 CLEARED  
EXCEPTIONALLY

1315-19 245(A)(1)AWDW-NON-FIREARM

Follow Up Report # SA 15

situations we could encounter. The last Rules of Engagement provided were that if we had visual of the suspect and he had a gun in his hands, we were to use deadly force if we had a clear shot.

We were advised that the subject was talking about using the bathroom. SWAT operators from the Bearcat and our snipers could see the subject walked the hostage down the hallway leading into the bathroom. They advised they could see a gun in the suspect's hand, but no one had a clear shot due to the proximity of the hostage.

Within a couple of minutes, Sergeant Brown advised both the suspect and hostage were coming out of the bathroom. Seconds later, several shots were fired by SWAT operators. The Hostage Rescue Team immediately headed for the east door as planned. I opened the door and as I did this, the hostage was trying to exit the building. Several SWAT operators were entering at the same time. I grabbed the hostage and started to take her towards the Bear Cat, which was the first available cover to us. While pushing the hostage towards the Bear Cat, she fell to the ground and I fell on top of her. I picked her up and continued to get her to safety.

Once behind the Bear Cat, several patrol officers were running towards us. I handed off the hostage to them and headed back into the Jack in the Box. Once inside, I took a position along the east edge of the front counter, covering the kitchen / grill area. Once advised to clear the area, several SWAT operators and I cleared the remainder of the business to the north of the front counter. We cleared the kitchen, grill, office, break room, electrical room and both freezers. No one else was located. After our initial clear, we completed a secondary search and confirmed no one else was inside.

I took a position at the east door and regulated personnel into the scene. Several SWAT operators were in and out of the scene along with Sacramento City Fire personnel. I stayed at this position until relieved by Officer Marks.

I assisted with several miscellaneous duties related to securing SWAT equipment until the scene was turned over to patrol and investigators.

No further action by this officer.



# SACRAMENTO POLICE DEPARTMENT

## PUBLIC HARDCOPY

RELEASED PER PUBLIC RECORDS ACT REQUEST

GO# SA 2012-332558 CLEARED  
EXCEPTIONALLY

1315-19 245(A)(1)AWDW-NON-FIREARM

Follow Up Report # SA 16

## Follow Up Report # SA 16

### Assignment Information

Assigned to: **1026 - BAKER, DEE 0756** Rank:

Capacity: **SUPPLEMENTAL ADD (NOT FOR DETECTIVE USE)** Org unit: **OOO PATROL DIST 3 DAY (TEAM 14)**

Assigned on: **Dec-08-2012 (Sat.) 1748** by: **1026 - BAKER, DEE 0756**

Report due on: **Dec-11-2012 (Tue.)**

### Submission Information

Submitted on: **Dec-08-2012 (Sat.) 1718**

Approved on: **Dec-09-2012 (Sun.)** by: **268 - ENRIQUEZ, F 3020 (████████)**

### Follow Up Conclusion

Follow Up concluded: **Yes**

---

### Narrative Text Report # 1

Document: **04 OBSERVATIONS**

Author: **1026 - BAKER, DEE 0756**

Subject: **BAKER/756**

Related date/time: **Dec-08-2012 (Sat.) 1631**

On 12-08-12, at approx. 1233 hrs, I (Baker/756-1B35) was dispatched enroute to 8349 Folsom Bl (Jack in the Box Restaurant), regarding a robbery - in progress.

Information on the call indicated that a caller from the Taquria El Festival, advised that there was someone with a gun at the Jack in the Box restaurant. The caller was screaming.

Another caller was out of breath and said, "please help us".

Updates indicated that the business was just robbed and the suspect had a gun. The suspect was described as a male, Asian, 35 years old, small build, purple striped shirt. The suspect was still on-scene and had a gun to one of the employee's.

Additional information advised that a male, Asian, 19 years old, 5'0", thin build, red plain shirt, blue jeans, was armed with a gun and was telling a customer to get out of the store while he was robbing it.

A caller advised that they were in the bathroom, further stating that a



# SACRAMENTO POLICE DEPARTMENT

## PUBLIC HARDCOPY

### RELEASED PER PUBLIC RECORDS ACT REQUEST

GO# SA 2012-332558 CLEARED  
EXCEPTIONALLY

1315-19 245(A)(1)AWDW-NON-FIREARM

Follow Up Report # SA 16

suspect with a gun came in and was robbing the place.

Further information indicated that there was a male at the back door with a gun. That subject was described as a male, Hispanic, adult, with a vest that said, "Agent". That subject stated that he was an undercover officer and had just gone through the back door.

Updates indicated that the subject with the gun was still inside the restaurant. There were possibly 2 subjects at the back door as well.

A caller stated that a bystander said that he was with the CIA and that he was going into the store. The subject who stated that he was with the CIA was a male, white, 30's, 6'0", brown plaid shirt, and was armed with a gun. The caller advised that the suspect pulled the trigger of a gun, but no one was shot.

The agent in the vest was on foot and had the door cracked open and was looking in the back. The suspect was described as a male, Asian, 19-20, 5'2"-4", thin, mustache, blue knit cap, possible green shirt, dark pants. The gun was possibly a revolver.

The suspect's gun possibly misfired. It was noted that there were 3 suspects. Two of the suspects were seen behind the building with guns and one was inside. The suspect inside was described as a male, Hispanic/Asian, 20's, 5'5", medium build, medium length black hair, black sweatshirt with a hood, black pistol.

Additional information came in indicating that the suspect was in the bathroom and 2 employees were still inside the restaurant.

One employee was updated as hiding in the bathroom or electric room and one was in the break room.

One of the employees, who was still inside with the suspect, advised that the suspect had the doors closed with some wires.

I responded to the scene Code-3 from the area of 17th St / S St and arrived on-scene at approx. 1240 hrs,

As other officers had already arrived on-scene and established perimeter locations. I took a perimeter position on the west side of the restaurant, behind cover along a small strip mall area.

A perimeter was secured and specialty units responded to handle the



# SACRAMENTO POLICE DEPARTMENT

## PUBLIC HARDCOPY

RELEASED PER PUBLIC RECORDS ACT REQUEST

GO# SA 2012-332558 CLEARED  
EXCEPTIONALLY

1315-19 245(A)(1)AWDW-NON-FIREARM

Follow Up Report # SA 16

tactical game plan.

I maintained my perimeter position until, that time the it was voiced via radio that the suspect was down, the hostage was safely out of the restaurant and in police care, and the building was clear of any further suspects.

After the scene was secured by swing shift officers who were responding as relief for day shift officers, I was cleared to leave the scene by Sgt. (Lommori/3005-2SM3), with no further assigned duties.



# SACRAMENTO POLICE DEPARTMENT

## PUBLIC HARDCOPY

RELEASED PER PUBLIC RECORDS ACT REQUEST

GO# SA 2012-332558 CLEARED  
EXCEPTIONALLY

1315-19 245(A)(1)AWDW-NON-FIREARM

Follow Up Report # SA 17

## Follow Up Report # SA 17

### Assignment Information

Assigned to: **528 - LAFLAMME, KEITH 0410** ( ) Rank:

Capacity: **SUPPLEMENTAL ADD (NOT FOR DETECTIVE USE)** Org unit: **OOO PATROL DIST 6 DAY (TEAM 32)**

Assigned on: **Dec-08-2012 (Sat.) 1749** by: **528 - LAFLAMME, KEITH 0410** ( )

Report due on: **Dec-11-2012 (Tue.)**

### Submission Information

Submitted on: **Dec-08-2012 (Sat.) 1734**

Approved on: **Dec-09-2012 (Sun.)** by: **268 - ENRIQUEZ, F 3020** ( )

### Follow Up Conclusion

Follow Up concluded: **Yes**

---

### Narrative Text Report # 1

Document: **04 OBSERVATIONS**

Author: **528 - LAFLAMME, KEITH 0410** ( )

Subject: **R/O LAFLAMME #410**

Related date/time: **Dec-08-2012 (Sat.) 1512**

12-8-12, approx.1235 hrs, r/o LaFlamme #410 responded to The Jack N the Box at 8349 Folsom bl regarding an "armed gunman" inside the business. I responded CODE-3 from 59th st/Broadway. I was onscene at approx.1243 hrs. I was in full uniform and a marked patrol vehicle.

--

Upon my arrival, I positioned my vehicle approximately 150 feet to the west of the building. I could see the west side of Jack N the Box. I contacted a person in a Jack N the Box uniform who identified himself as ( ). He said he called "911" at 1232 hrs on his cell phone. He told me that a MAA, 20-25, 5', skinny, walked into the business and began pointing a gun at people. The suspect was wearing a red plaid shirt, dark blue jeans and had long hair on his chin. ( ) said he thought the suspect may be of Hmong decent. He said the suspect had a medium sized Revolver, black in color. ( ) said the suspect pointed the gun at him closely, and the gun appeared to be empty. Another employee told him that the suspect pulled the trigger on the gun twice and the gun did not go off. The suspect did not demand money, but told everyone including customers to go to the back of the restaurant. ( ) said that everyone ran towards the back, and out the rear exit. ( ) said there were five employees, and he believed every employee and every customer ran outside. Prior to leaving





**SACRAMENTO POLICE DEPARTMENT**

**PUBLIC HARDCOPY**

**RELEASED PER PUBLIC RECORDS ACT REQUEST**

**GO# SA 2012-332558 CLEARED  
EXCEPTIONALLY**

**1315-19 245(A)(1)AWDW-NON-FIREARM**

Follow Up Report # SA 17

the building, [REDACTED] said that he heard the suspect ask where the bathroom was.

--

Later, Officers onscene confirmed through two other employees that were able to escape, that two employees did not get out of the building, and were in fact still inside the business with the suspect.

--

Also while on the west perimeter, a subject named [REDACTED] [REDACTED] contacted me and said that he was inside the Jack N the Box eating with his wife and two children when the suspect/gunman came in. [REDACTED] said that the gunman pointed a gun at his daughter, and that they all were able to run out of the building when the suspect told everyone to go to the back.

--

I directed witnesses [REDACTED] and [REDACTED] to the rear of Raleys at 8391 Folsom bl to be debriefed by the command post staff.

--

At approx.1500 hrs, Sgt Lommori (2SM3) released me from the west perimeter and I reported to the command post to the rear of Raleys.

--

At approx.1544 hrs, I heard numerous gunshots as I was positioned to the east of Raleys. I could not see where the shots came from or who fired the shots. I did not have a line of sight to the Jack N the Box building.

--

At approx.1656 hrs, I transported two subjects, [REDACTED] and [REDACTED] to 300 Richards bl and left them with Officer Cabrera (1C34) in the Tactical Briefing room.

--

I cleared at approx.1733 hrs.



# SACRAMENTO POLICE DEPARTMENT

## PUBLIC HARDCOPY

RELEASED PER PUBLIC RECORDS ACT REQUEST

GO# SA 2012-332558 CLEARED  
EXCEPTIONALLY

1315-19 245(A)(1)AWDW-NON-FIREARM

Follow Up Report # SA 18

## Follow Up Report # SA 18

### Assignment Information

Assigned to: **1072 - WEBB, BRIAN 0762** Rank:

Capacity: **SUPPLEMENTAL ADD (NOT FOR DETECTIVE USE)** Org unit: **OOO PATROL DIST 3 DAY (TEAM 14)**

Assigned on: **Dec-09-2012 (Sun.) 1749** by: **1072 - WEBB, BRIAN 0762**

Report due on: **Dec-11-2012 (Tue.)**

### Submission Information

Submitted on: **Dec-09-2012 (Sun.) 1033**

Approved on: **Dec-09-2012 (Sun.)** by: **268 - ENRIQUEZ, F 3020 (████████)**

### Follow Up Conclusion

Follow Up concluded: **Yes**

---

### Narrative Text Report # 1

Document: **04 OBSERVATIONS**

Author: **1072 - WEBB, BRIAN 0762**

Subject: **WEBB**

Related date/time: **Dec-09-2012 (Sun.) 842**

On 12-08-12 at approx 1237 hours, I officer Webb #762 (1B34) was dispatched to 8349 Folsom Blvd (Jack In The Box) regarding a robbery at gun point in progress.

As I was arriving on scene of the incident, Sgt. Lommori advised that he wanted the next unit arriving to block all of traffic on Folsom Blvd. I responded to the intersection of Folsom Blvd / Notre Dame. I shut down all vehicle and pedestrian traffic going E/B on Folsom Blvd. I remained at this position and diverted traffic until I was relieved by swing shift officer McGovern (1C35).

While I was directing traffic near the beginning of the incident, I was contacted by subject ██████████ (████████) (PH# ██████████). She advised that she was inside the Jack in the Box when the robbery occurred. She said the suspect possibly pointed the gun at her son. I was unable to take a statement from ██████ due to heavy vehicle traffic. I needed to continue to directing traffic. I took down her name and contact information and then I directed her to where the command post was set up. I requested that she contact an officer at the command post and give them her statement prior to leaving the area. She said she would go to the command post to give her



# SACRAMENTO POLICE DEPARTMENT

## PUBLIC HARDCOPY

RELEASED PER PUBLIC RECORDS ACT REQUEST

GO# SA 2012-332558 CLEARED  
EXCEPTIONALLY

1315-19 245(A)(1)AWDW-NON-FIREARM

Follow Up Report # SA 18

statement.

Once relieved by swing shift officers, I responded to the command post. I contacted Sgt. Poroli who advised I was okay to head into the station and go end of watch. I cleared the call at approx 1535 hours.



# SACRAMENTO POLICE DEPARTMENT

## PUBLIC HARDCOPY

RELEASED PER PUBLIC RECORDS ACT REQUEST

GO# SA 2012-332558 CLEARED  
EXCEPTIONALLY

1315-19 245(A)(1)AWDW-NON-FIREARM

Follow Up Report # SA 19

## Follow Up Report # SA 19

### Assignment Information

Assigned to: **767 - PEIRSOL, MICHAEL 0431** Rank:

Capacity: **SUPPLEMENTAL ADD (NOT FOR DETECTIVE USE)** Org unit: **OOI FORENSIC ID - CRIME**

### SCENE INVESTIGATION

Assigned on: **Dec-09-2012 (Sun.) 1749** by: **767 - PEIRSOL, MICHAEL 0431**

Report due on: **Dec-11-2012 (Tue.)**

### Submission Information

Submitted on: **Dec-09-2012 (Sun.) 1501**

Approved on: **Dec-10-2012 (Mon.)** by: **727 - NOONAN, DARIN 6377 ( )**

### Follow Up Conclusion

Follow Up concluded: **Yes**

---

### Narrative Text Report # 1

Document: **CSI REPORT**

Author: **767 - PEIRSOL, MICHAEL 0431**

Subject: **CSI21/PHOTOS**

Related date/time: **Dec-09-2012 (Sun.) 1449**

On 12-09-2012, at approx. 1419hrs, I (Ofc. Peirsol #431 CSI21) arrived at  
16th Ave to take photographs.

Photographs

I took twenty-three (23) photographs of the following:

- Overall appearance of the front of 16th Ave
- Overall appearance of a bedroom that was located to the rear of the residence (northwest corner)
- Overall appearance of the following items located in that room:
  - Plastic bag containing "Abilify"
  - Prescription bottle (w/pills) for "Seroquel" in the name of Xang Khang
  - .22 cal live round located on the floor of the closet in that room

All photos to be uploaded into DCS.

I cleared the scene at approx. 1436hrs.



# SACRAMENTO POLICE DEPARTMENT

## PUBLIC HARDCOPY

RELEASED PER PUBLIC RECORDS ACT REQUEST

GO# SA 2012-332558 CLEARED  
EXCEPTIONALLY

1315-19 245(A)(1)AWDW-NON-FIREARM

Follow Up Report # SA 20

## Follow Up Report # SA 20

### Assignment Information

Assigned to: **3866 - STREICH, KELLI 0247** Rank:

Capacity: **SUPPLEMENTAL ADD (NOT FOR DETECTIVE USE)** Org unit: **OOO PATROL DIST 3 MID (TEAM 15)**

Assigned on: **Dec-08-2012 (Sat.) 1749** by: **3866 - STREICH, KELLI 0247**

Report due on: **Dec-11-2012 (Tue.)**

### Submission Information

Submitted on: **Dec-09-2012 (Sun.) 1530**

Approved on: **Dec-10-2012 (Mon.)** by: **268 - ENRIQUEZ, F 3020 ( )**

### Follow Up Conclusion

Follow Up concluded: **Yes**

---

### Narrative Text Report # 1

Document: **04 OBSERVATIONS**

Author: **3866 - STREICH, KELLI 0247**

Subject: **STREICH #247**

Related date/time: **Dec-08-2012 (Sat.) 1748**

On 12-08-12 at approx 1445 hrs, I, Officer Streich #247, responded to 8349 Folsom Blvd (Jack in the box) regarding a robbery in progress. I arrived onscene at approx 1500 hrs.

I placed my patrol vehicle facing westbound on Folsom Blvd in the middle lane in front of Umeko Buffet (8353 Folsom Blvd). My patrol vehicle was facing towards Jack in the box. I activated my in car camera at approx 1510 hrs. I was able to place the camera in a position to have visual on the front east side of the building and the parking lot where SWAT Officers were positioned.

At approx 1540 hrs, I observed a female hostage exiting the east side door entrance. She was assisted to a secure place by officers.

A few seconds later, I heard shots fired coming from the south side of Folsom Blvd. After the shots were fired, I observed SWAT Officers enter the east side entrance of the building and detain the suspect.

I contacted employees ( , , , and ) at Umeko Buffet and obtained their information. All employees advised that they were in the



**SACRAMENTO POLICE DEPARTMENT**

**PUBLIC HARDCOPY**

**RELEASED PER PUBLIC RECORDS ACT REQUEST**

**GO# SA 2012-332558 CLEARED  
EXCEPTIONALLY**

**1315-19 245(A)(1)AWDW-NON-FIREARM**

**Follow Up Report # SA 20**

east side of the business and did not observe the incident.



# SACRAMENTO POLICE DEPARTMENT

## PUBLIC HARDCOPY

RELEASED PER PUBLIC RECORDS ACT REQUEST

GO# SA 2012-332558 CLEARED  
EXCEPTIONALLY

1315-19 245(A)(1)AWDW-NON-FIREARM

Follow Up Report # SA 21

## Follow Up Report # SA 21

### Assignment Information

Assigned to: **688 - MORRIS, JEFFREY 3023** Rank:

Capacity: **SUPPLEMENTAL ADD (NOT FOR DETECTIVE USE)** Org unit: **OOO PATROL DIST 3 MID (TEAM 16)**

Assigned on: **Dec-08-2012 (Sat.) 1759** by: **688 - MORRIS, JEFFREY 3023**

Report due on: **Dec-11-2012 (Tue.)**

### Submission Information

Submitted on: **Dec-09-2012 (Sun.) 3**

Approved on: **Dec-09-2012 (Sun.)** by: **268 - ENRIQUEZ, F 3020 (████████)**

### Follow Up Conclusion

Follow Up concluded: **Yes**

---

### Narrative Text Report # 1

Document: **04 OBSERVATIONS**

Author: **688 - MORRIS, JEFFREY 3023**

Subject: **SGT. MORRIS SUPPLEMENT**

Related date/time: **Dec-08-2012 (Sat.) 2330**

---

I am a Patrol Sergeant for the Sacramento Police Department.

On 12-8-12 at approx. 1433hrs., I responded to 8349 Folsom Blvd., regarding a "hostage situation" in progress.

Upon my arrival, I went to the Command Post in the rear of the parking lot on the far east side.

I then responded to a position where several other officers, including Sgt. Lommori were positioned, just to the N/W of the Jack-N-The Box.

I was on scene at that location to speak with Sgt. Lommori in the event that the event continued for an extended period of time and I needed to relieve him.

While on scene at this location, I heard multiple shots fired and then heard over the radio that the suspect was down.

I responded back to the Command Post momentarily then I responded to the scene of the Jack-N-The Box where I designated Officer Knobloch #239 as the



# SACRAMENTO POLICE DEPARTMENT

## PUBLIC HARDCOPY

### RELEASED PER PUBLIC RECORDS ACT REQUEST

GO# SA 2012-332558 CLEARED  
EXCEPTIONALLY

1315-19 245(A)(1)AWDW-NON-FIREARM

Follow Up Report # SA 21

crime scene recorder. There were numerous supervisors at this location, so I responded back to the original Command Post. Upon arrival back at the Command Post, I coordinated with officers to facilitate the transportation of witnesses for interviewing.

Once the witnesses had been transported from the scene, I responded back to the area of the Jack-N-The Box. I coordinated with perimeter officers, switching perimeter dayshift officers with swing shift officers.

I then cleared the scene at approx. 1815hrs.

I responded back to the scene at approx. 2155 hrs., to coordinate with the existing perimeter officers. I then left the scene for the final time at approx. 2223hrs.

End Observations.





# SACRAMENTO POLICE DEPARTMENT

## PUBLIC HARDCOPY

RELEASED PER PUBLIC RECORDS ACT REQUEST

GO# SA 2012-332558 CLEARED  
EXCEPTIONALLY

1315-19 245(A)(1)AWDW-NON-FIREARM

Follow Up Report # SA 22

## Follow Up Report # SA 22

### Assignment Information

Assigned to: **627 - MATTHEW, LINDA 0353** Rank:  
Capacity: **SUPPLEMENTAL ADD (NOT FOR DETECTIVE USE)** Org unit: **OSS K-9**  
Assigned on: **Dec-08-2012 (Sat.) 1759** by: **627 - MATTHEW, LINDA 0353**  
Report due on: **Dec-11-2012 (Tue.)**

### Submission Information

Submitted on: **Dec-08-2012 (Sat.) 2150**  
Approved on: **Dec-09-2012 (Sun.)** by: **268 - ENRIQUEZ, F 3020** (REDACTED)

### Follow Up Conclusion

Follow Up concluded: **Yes**

---

### Narrative Text Report # 1

Document: **04 OBSERVATIONS**  
Author: **627 - MATTHEW, LINDA 0353**  
Subject: **K9 OBSERVATIONS**  
Related date/time: **Dec-08-2012 (Sat.) 1244**

On 12/08/12 at approximately 1232 hours, I Ofc. Matthew #353 (K9-1) was working in full uniform in a marked SPD patrol vehicle. I responded to 8349 Folsom Blvd for a call of a robbery in progress.

Dispatch advised a caller stated someone with a gun was at the Jack In the Box Restaurant at 8349 Folsom Blvd. An additional caller advised the business was being robbed and suspect was still on scene, had gun to one of the employees.

I responded to the scene from 300 Richards Blvd. While enroute to the call dispatch advised that the suspect pulled the trigger of the gun but no one was shot, it possibly misfired. Updates came in that there was possibly more than one suspect. Dispatch advised the suspect was a Male Asian with medium length black hair and he may have the gun in his hand.

I arrived on scene at 1244 hours and positioned my patrol vehicle on the south/west corner of the business out on Folsom Blvd. I took a position of cover behind my patrol vehicle and watched for movement from the suspect inside of the restaurant.

Lt. Watson arrived and advised if suspect ran, K9 use was authorized.



# SACRAMENTO POLICE DEPARTMENT

## PUBLIC HARDCOPY

### RELEASED PER PUBLIC RECORDS ACT REQUEST

GO# SA 2012-332558 CLEARED  
EXCEPTIONALLY

1315-19 245(A)(1)AWDW-NON-FIREARM

Follow Up Report # SA 22

Ofc. Davis #853 (UNN15) arrived with me and used my patrol vehicle as cover in front of the business. After Ofc. Davis arrived, I observed the first female hostage walk out of the business out the east door. Officers contacted her. I later observed the second female hostage walk towards the front of the business with a male Asian walking behind her. He was short, with long black hair and did not have a shirt on. The suspect was using his right hand to talk and had it up above his waist visible to me. I could not see any weapons in his right hand. I could not see his left hand though. The lower portion of the west window was blocking my view of suspects hand. Officers on the east side advised they could see a handgun in suspect's hand. Both suspect and female hostage went out of my view, possibly into the bathroom.

During this time while suspect was out of sight, I advised Ofc. Davis, whom was taking cover at the hood of my patrol vehicle, that he would have a better view into the business at the trunk of my patrol vehicle. I could clearly see into the business through the west window. I described to Ofc. Davis what the suspect looked like and advised him where he would reappear from when he exited the bathroom. Suspect and female exited the bathroom and moved to the middle of the store simultaneously as Ofc. Davis fired a shot at the suspect from the back of my vehicle (#10764). I observed the male suspect fall to the ground.

I cleared the scene at 2150 hours.



# SACRAMENTO POLICE DEPARTMENT

## PUBLIC HARDCOPY

RELEASED PER PUBLIC RECORDS ACT REQUEST

GO# SA 2012-332558 CLEARED  
EXCEPTIONALLY

1315-19 245(A)(1)AWDW-NON-FIREARM

Follow Up Report # SA 23

## Follow Up Report # SA 23

### Assignment Information

Assigned to: **3806 - BYRON, RODERICK 0824** Rank:

Capacity: **SUPPLEMENTAL ADD (NOT FOR DETECTIVE USE)** Org unit: **OOO PATROL DIST 6 MID (TEAM 35)**

Assigned on: **Dec-08-2012 (Sat.) 1800** by: **3806 - BYRON, RODERICK 0824**

Report due on: **Dec-11-2012 (Tue.)**

### Submission Information

Submitted on: **Dec-08-2012 (Sat.) 2015**

Approved on: **Dec-09-2012 (Sun.)** by: **268 - ENRIQUEZ, F 3020 (████████)**

### Follow Up Conclusion

Follow Up concluded: **Yes**

---

### Narrative Text Report # 1

Document: **04 OBSERVATIONS**

Author: **3806 - BYRON, RODERICK 0824**

Subject: **OFC. BYRON OBS**

Related date/time: **Dec-08-2012 (Sat.) 1930**

On 12/8/12 at approx 1500 hrs, I, Ofc. Byron #824 was dispatched to 8349 Folsom Blvd (Jack in the Box). I arrived on-scene at approximately 1505 hrs.

Upon arrival I assisted with a perimeter on the west side. I was unable to see into the Jack in the Box from my vantage point.

After the suspect had been shot I rode with him in the ambulance to the UC Davis Medical Center.

I followed medical staff as they transported the suspect to the operating room from the emergency room.

At approximately 1701 hrs Dr. ██████████ pronounced the suspect deceased.

I collected the clothing that had been removed from the suspect in the ER. This clothing was placed in a plastic bag and given to Sgt. Stigerts #3096 back at the original scene.



# SACRAMENTO POLICE DEPARTMENT

## PUBLIC HARDCOPY

RELEASED PER PUBLIC RECORDS ACT REQUEST

GO# SA 2012-332558 CLEARED  
EXCEPTIONALLY

1315-19 245(A)(1)AWDW-NON-FIREARM

Follow Up Report # SA 24

## Follow Up Report # SA 24

### Assignment Information

Assigned to: **3529 - CABRERA, ROSALIA 0723** Rank:

Capacity: **SUPPLEMENTAL ADD (NOT FOR DETECTIVE USE)** Org unit: **OOO PATROL DIST 3 MID (TEAM 15)**

Assigned on: **Dec-09-2012 (Sun.) 1800** by: **3529 - CABRERA, ROSALIA 0723**

Report due on: **Dec-11-2012 (Tue.)**

### Submission Information

Submitted on: **Dec-09-2012 (Sun.) 32**

Approved on: **Dec-09-2012 (Sun.)** by: **268 - ENRIQUEZ, F 3020 ( )**

### Follow Up Conclusion

Follow Up concluded: **Yes**

---

### Narrative Text Report # 1

Document: **04 OBSERVATIONS**

Author: **3529 - CABRERA, ROSALIA 0723**

Subject: **CABRERA #723**

Related date/time: **Dec-09-2012 (Sun.) 4**

On 12/8/2012 at 1506 Hours, I (Officer Cabrera #723) was dispatched to 8349 Folsom Blvd (Jack-N-Box) to assist on an ongoing robbery/hostage situation. I arrived on scene at 1530 Hours and made contact with 2SM6 (Sgt. Freeman) who was on scene on the east end of the business.

Sgt. Freeman advised me that I would be part of the contact/rescue team once the last victim (ID as [REDACTED], [REDACTED] aka [REDACTED]) exited the business. At approximately 1540 Hours, SWAT advised they had visual of the suspect and advised V-[REDACTED] was exiting the business.

Officers Knoblock, Marks, Ley, I (Officer Cabrera #723) and an SSD officer (ID as Madrlago) responded to the rear of the peace keeper and we took custody of V-[REDACTED]. As we began to assist in removing V-[REDACTED] from the area it appeared she lost her balance and fell to the ground causing her to scrape her right hand and right forearm. After assisting back up, Officers successfully removed V-[REDACTED] from the area and transported to a secure location.

V-[REDACTED] was crying and was visibly distraught over the incident. She advised that the suspect had punched her on the left side of her face and



# SACRAMENTO POLICE DEPARTMENT

## PUBLIC HARDCOPY

### RELEASED PER PUBLIC RECORDS ACT REQUEST

GO# SA 2012-332558 CLEARED  
EXCEPTIONALLY

1315-19 245(A)(1)AWDW-NON-FIREARM

Follow Up Report # SA 24

had also hit her on her left leg. V- [REDACTED] then advised that during the incident the suspect had made sexual advances towards and attempted to touch her. I was unable to obtain any further details about what had occurred due to V- [REDACTED] being transported to the command post. V- [REDACTED] was still crying and shaken up over the incident.

I observed V- [REDACTED] had the following injuries:

-Scrapes to her right knuckles

-(2) abrasions to her right forearm, one of the abrasions was approximately 1.5" in length and the other was about 1"

Medical aid was requested for V- [REDACTED] while on scene

At 1639 Hours, I transported three victims (ID as [REDACTED], [REDACTED]; [REDACTED], [REDACTED]; [REDACTED]) to 300 Richards Blvd for interviews with the detectives.

Due to change in location of the interviews, at 1900 Hours, I responded to 4510 Orange Grove avenue (SSD sub-station) to assist detectives in transporting the victims home upon completion of the interview..

At approximately 2100 Hours I transported three of the victims home.

3SM3 (Sgt. Morse) advised



# SACRAMENTO POLICE DEPARTMENT

## PUBLIC HARDCOPY

RELEASED PER PUBLIC RECORDS ACT REQUEST

GO# SA 2012-332558 CLEARED  
EXCEPTIONALLY

1315-19 245(A)(1)AWDW-NON-FIREARM

Follow Up Report # SA 25

## Follow Up Report # SA 25

### Assignment Information

Assigned to: **3677 - BEVINS, TOD 3044** Rank:

Capacity: **SUPPLEMENTAL ADD (NOT FOR DETECTIVE USE)** Org unit: **OSS METRO SWAT TEAM 20**

Assigned on: **Dec-08-2012 (Sat.) 1800** by: **3677 - BEVINS, TOD 3044**

Report due on: **Dec-11-2012 (Tue.)**

### Submission Information

Submitted on: **Dec-08-2012 (Sat.) 2033**

Approved on: **Dec-09-2012 (Sun.)** by: **268 - ENRIQUEZ, F 3020 ( )**

### Follow Up Conclusion

Follow Up concluded: **Yes**

---

### Narrative Text Report # 1

Document: **04 OBSERVATIONS**

Author: **3677 - BEVINS, TOD 3044**

Subject: **OFC. BEVINS #227**

Related date/time: **Dec-08-2012 (Sat.) 1941**

On 12/8/12 at approx. 1252 hrs. I, Ofc. Bevins (Unn26) received a page on my cell phone via the Sacramento Police Department Communications Center advising me of a hostage situation at the Jack In The Box fast food restaurant at 8349 Folsom Blvd. I responded to 300 Richards Blvd. and picked up the SWAT van. I then responded to the command post which was located behind the Raleys Grocery Store at 8391 Folsom Blvd.

Upon my arrival I was told by SWAT Sgt. Brown to retrieve the AR-10 rifle from Sgt. Nichols vehicle and respond to the scene in the Peacekeeper. After retrieving the AR-10 I loaded it in the Peacekeeper and took the high cover position from the turret on top of the vehicle. The Peacekeeper was driven to the scene by Ofc. Chandler.

As we arrived at the scene we took a position to the rear of the restaurant (3 side) and I maintained cover on the rear door and the roof. With me at the Peacekeeper was Ofc.'s Chandler, Young, and Jarvis along with K9 Ofc. Acevedo.

While on scene we were given reactive authority by our SWAT Commander (Lt. Watson) over the radio. The reactive authority in this case was as follows: if we had visual of the suspect and he had a gun in his hand we



# SACRAMENTO POLICE DEPARTMENT

## PUBLIC HARDCOPY

RELEASED PER PUBLIC RECORDS ACT REQUEST

GO# SA 2012-332558 CLEARED  
EXCEPTIONALLY

1315-19 245(A)(1)AWDW-NON-FIREARM

Follow Up Report # SA 25

were to use deadly force if we had a clear shot.

At approx. 1544 hrs. shots were fired into the building by SPD SWAT personnel. I maintained my position as high cover from the Peacekeeper as the contact team made entry into the restaurant to rescue the remaining hostage and deal with the suspect. Seconds later I observed Ofc. Rosin pulling the hostage to safety and Sgt. Brown advised the suspect was down and that a medic was needed. I remained in my position until the scene had been stabilized.



# SACRAMENTO POLICE DEPARTMENT

## PUBLIC HARDCOPY

RELEASED PER PUBLIC RECORDS ACT REQUEST

GO# SA 2012-332558 CLEARED  
EXCEPTIONALLY

1315-19 245(A)(1)AWDW-NON-FIREARM

Follow Up Report # SA 26

## Follow Up Report # SA 26

### Assignment Information

Assigned to: **3718 - ELLIOTT, KELLEY 0394** Rank:

Capacity: **SUPPLEMENTAL ADD (NOT FOR DETECTIVE USE)** Org unit: **OOO PATROL DIST 2 MID (TEAM 10)**

Assigned on: **Dec-08-2012 (Sat.) 1800** by: **3718 - ELLIOTT, KELLEY 0394**

Report due on: **Dec-11-2012 (Tue.)**

### Submission Information

Submitted on: **Dec-09-2012 (Sun.) 37**

Approved on: **Dec-09-2012 (Sun.)** by: **268 - ENRIQUEZ, F 3020 (████████)**

### Follow Up Conclusion

Follow Up concluded: **Yes**

---

### Narrative Text Report # 1

Document: **04 OBSERVATIONS**

Author: **3718 - ELLIOTT, KELLEY 0394**

Subject: **OFC ELLIOTT 0394**

Related date/time: **Dec-08-2012 (Sat.) 2333**

---

On 12/8/12 at approximately 1459 hours, I, Officer Elliott (#394), was dispatched to 8349 Folsom Blvd to assist officers and SWAT who were on scene of a robbery in progress. I was requested to respond as a member of the rifle team. I arrived on scene at approximately 1505 hours.

Once on scene, I contacted Sgt Lommori who assigned me to the north/west corner of the building. Included in my visual was the drive-thru window. I deployed my rifle and maintained this position until officers on scene broadcasted that the suspect had been taken into custody.

I then relocated to a position on the southern side which was Officer Villegas and Officer Lightfoot's location. While in this position, I supervised Officer Villegas and Officer Lightfoot's equipment which was later rendered safe by Sgt Brown and collected by Detective Kirtlan. I was then relieved by Officer Madsen.





# SACRAMENTO POLICE DEPARTMENT

## PUBLIC HARDCOPY

RELEASED PER PUBLIC RECORDS ACT REQUEST

GO# SA 2012-332558 CLEARED  
EXCEPTIONALLY

1315-19 245(A)(1)AWDW-NON-FIREARM

Follow Up Report # SA 27

## Follow Up Report # SA 27

### Assignment Information

Assigned to: **3602 - BELL, JOHN 7730** Rank:

Capacity: **SUPPLEMENTAL ADD (NOT FOR DETECTIVE USE)** Org unit: **OOO PATROL DIST 3 MID (TEAM 15)**

Assigned on: **Dec-09-2012 (Sun.) 1800** by: **3602 - BELL, JOHN 7730**

Report due on: **Dec-11-2012 (Tue.)**

### Submission Information

Submitted on: **Dec-09-2012 (Sun.) 1733**

Approved on: **Dec-10-2012 (Mon.)** by: **268 - ENRIQUEZ, F 3020** (REDACTED)

### Follow Up Conclusion

Follow Up concluded: **Yes**

---

### Narrative Text Report # 1

Document: **04 OBSERVATIONS**

Author: **3602 - BELL, JOHN 7730**

Subject: **OFFICER J.BELL #886**

Related date/time: **Dec-09-2012 (Sun.) 1726**

On 12-8-12 at approx 1440 hours, I responded to the intersection of Julliard and Folsom Blvd. to assist in traffic control. I arrived on scene at approx. 1450 hours and took over for a Sacramento City Code Enforcement Officer who was already on scene working traffic control. I remained at this intersection working traffic control until approx. 2100 hours when I was relieved by Officer McGovern.



# SACRAMENTO POLICE DEPARTMENT

## PUBLIC HARDCOPY

RELEASED PER PUBLIC RECORDS ACT REQUEST

GO# SA 2012-332558 CLEARED  
EXCEPTIONALLY

1315-19 245(A)(1)AWDW-NON-FIREARM

Follow Up Report # SA 28

## Follow Up Report # SA 28

### Assignment Information

Assigned to: **3090 - MARKS, DARREN 0236** ( ) Rank:

Capacity: **SUPPLEMENTAL ADD (NOT FOR DETECTIVE USE)** Org unit: **OOO PATROL DIST 6 DAY (TEAM 32)**

Assigned on: **Dec-08-2012 (Sat.) 1803** by: **3090 - MARKS, DARREN 0236** ( )

Report due on: **Dec-11-2012 (Tue.)**

### Submission Information

Submitted on: **Dec-08-2012 (Sat.) 1811**

Approved on: **Dec-09-2012 (Sun.)** by: **268 - ENRIQUEZ, F 3020** ( )

### Follow Up Conclusion

Follow Up concluded: **Yes**

---

### Narrative Text Report # 1

Document: **04 OBSERVATIONS**

Author: **3090 - MARKS, DARREN 0236** ( )

Subject: **OFC MARKS #236**

Related date/time: **Dec-08-2012 (Sat.) 1732**

---

On 12-8-12, at approximately 1243 hours, I, Officer Marks #236 (1B29) responded code-3 from 3565 Auburn Blvd, to a call for service at Jack in the Box (8349 Folsom Blvd). The call, which was classified as a robbery in progress, indicated that a male with a gun had entered the restaurant, and it appeared that several employees were possibly trapped inside the store.

I arrived on scene at approximately 1253 hours and responded to the East side of the business, in the North parking lot of an Asian Seafood restaurant. Per Sgt Lommori #3005 (2SM3), myself and several other Officers formed a rescue team on the East side of the business in case the situation evolved into an active shooter.

Upon being relieved by SWAT Officers, I retreated back to my original position in the parking lot of the Asian Seafood restaurant and remained there until shots were fired. I heard approximately 6 gun shots, accompanied by several other loud bangs, which were possibly flash bang grenades used by SWAT.

I observed a female hostage exit the East door of Jack in the Box, and SWAT Officers enter the business.



# SACRAMENTO POLICE DEPARTMENT

## PUBLIC HARDCOPY

### RELEASED PER PUBLIC RECORDS ACT REQUEST

GO# SA 2012-332558 CLEARED  
EXCEPTIONALLY

1315-19 245(A)(1)AWDW-NON-FIREARM

Follow Up Report # SA 28

Myself and other Officers approached the female hostage and escorted her to safety behind the Asian Seafood restaurant.

Once the scene was stabilized, I was assigned to maintain scene security on the East doors of Jack in the Box. SWAT Officers pointed out a large handgun, which was on the counter inside the restaurant, which was visible from outside the door. Once Fire personnel and SWAT Officers exited the business, no one was allowed to enter. I also never entered the business.

After being relieved by another Officer, I was assigned to attach the license plates of all vehicles in the Jack in the Box parking lot. I attached the following license plates to the call:

- ■ - Green 1996 Mazda Miata (parked on the East side of business).
- ■ - Gold 2002 Toyota Camry (parked on the East side of business).
- ■ - White 2003 Mits Eclipse (parked on the South side of business).
- ■ - Silver 2003 Toyota Camry (parked on the West side of business).

I was later released from the scene, without taking any further action.



# SACRAMENTO POLICE DEPARTMENT

## PUBLIC HARDCOPY

RELEASED PER PUBLIC RECORDS ACT REQUEST

GO# SA 2012-332558 CLEARED  
EXCEPTIONALLY

1315-19 245(A)(1)AWDW-NON-FIREARM

Follow Up Report # SA 29

## Follow Up Report # SA 29

### Assignment Information

Assigned to: **303 - FREEMAN, PAUL 7767** Rank:

Capacity: **SUPPLEMENTAL ADD (NOT FOR DETECTIVE USE)** Org unit: **OOO PATROL DIST 6 DAY (TEAM 32)**

Assigned on: **Dec-08-2012 (Sat.) 1850** by: **303 - FREEMAN, PAUL 7767**

Report due on: **Dec-11-2012 (Tue.)**

### Submission Information

Submitted on: **Dec-08-2012 (Sat.) 1927**

Approved on: **Dec-09-2012 (Sun.)** by: **268 - ENRIQUEZ, F 3020 (████████)**

### Follow Up Conclusion

Follow Up concluded: **Yes**

---

### Narrative Text Report # 1

Document: **04 OBSERVATIONS**

Author: **303 - FREEMAN, PAUL 7767**

Subject: **OBSERVATIONS**

Related date/time: **Dec-08-2012 (Sat.) 1840**

On 12-08-12/1236 hrs, I responded to the Jack-In-The-Box at 8349 Folsom Blvd. for a report of an armed robbery in progress. The information provided was that a male Asian subject had entered the business with a handgun and was pointing it at employees. Multiple people were calling in the same information. As I continued to respond Code 3 (lights/siren), additional information came in that an armed undercover CIA agent was on scene and was at the rear door of the business.

I arrived onscene with Officers P. Brown (1B64) and K. Wilhite (1B65) at 1240 hours. I proceeded to the rear of the business and observed a male white subject wearing a black raid vest which said "Agent" on the rear. The subject was armed with a handgun. I called him back to me and had him secure his handgun. He told me that he had seen the suspect inside the business and that the suspect was holding employees hostage. I turned the subject, later identified as a private agent for a bail bond company. I had Officer Myron Louie remove him from the immediate scene and debrief him for further information.

Sgt. M. Lommori was onscene with me and took over coordination of the inner perimeter while I took over traffic control and evacuation of the greater



# SACRAMENTO POLICE DEPARTMENT

## PUBLIC HARDCOPY

### RELEASED PER PUBLIC RECORDS ACT REQUEST

GO# SA 2012-332558 CLEARED  
EXCEPTIONALLY

1315-19 245(A)(1)AWDW-NON-FIREARM

Follow Up Report # SA 29

parking lot area. SSD Sgt. M. Rogers #104, Dep. Madriago, and K9 Dep. J. Hatfield assisted me in cordoning off the parking lot area around the business and moving pedestrians out of harms way. Refer to their event #12-273538.

I had several businesses, including Bank of America, Jackson Hewitt Tax Service, and a hair salon evacuate because they were in the line of fire. I shut down Folsom Blvd from Notre Dame to Julliard Drive to all traffic as well.

At 1544 hours, SWAT conducted a sniper-initiated assault. The last female hostage came running out of the business while the SWAT officers entered. I directed Officers D. Marks, A. Hawley, N. Knoblock, F. Ley, and R. Cabrera to secure the hostage, known only as "████" to me by her name tag. The officers brought her safely out of the immediate area, and I assigned Officer R. Cabrera to her.

After the shooting, I initiated a lockdown of the business and area around it per OIS protocol. I also directed Officer D. Marks to note the vehicles and license plates of cars parked in the lot around the Jack In The Box.



# SACRAMENTO POLICE DEPARTMENT

## PUBLIC HARDCOPY

RELEASED PER PUBLIC RECORDS ACT REQUEST

GO# SA 2012-332558 CLEARED  
EXCEPTIONALLY

1315-19 245(A)(1)AWDW-NON-FIREARM

Follow Up Report # SA 30

## Follow Up Report # SA 30

### Assignment Information

Assigned to: **4046 - LEMOINE, ALEX 0225** Rank:

Capacity: **SUPPLEMENTAL ADD (NOT FOR DETECTIVE USE)** Org unit: **OOO PATROL DIST 3 DAY (TEAM 14)**

Assigned on: **Dec-08-2012 (Sat.) 1851** by: **4046 - LEMOINE, ALEX 0225**

Report due on: **Dec-11-2012 (Tue.)**

### Submission Information

Submitted on: **Dec-08-2012 (Sat.) 1739**

Approved on: **Dec-09-2012 (Sun.)** by: **268 - ENRIQUEZ, F 3020 (████████)**

### Follow Up Conclusion

Follow Up concluded: **Yes**

---

### Narrative Text Report # 1

Document: **04 OBSERVATIONS**

Author: **4046 - LEMOINE, ALEX 0225**

Subject: **OFC. LEMOINE #225**

Related date/time: **Dec-08-2012 (Sat.) 1626**

(In Summary)

On 12/8/12, at approx. 1235 hours, multiple officers and I Ofc. Lemoine #225 were dispatched to 8349 Folsom Blvd (Jack in the Box) regarding a robbery in progress.

I responded code three from R / 15th St. and arrived on scene at 1241 hours. I maintained a perimeter spot on the west side of the business per 2SM3 (Sgt. Lommori #3005) until shots were fired at approx. 1544 hours.

I did not observe anyone / anything from my position. I stayed at my location until relieved by 2SM3 (Sgt. Lommori #3005)



# SACRAMENTO POLICE DEPARTMENT

## PUBLIC HARDCOPY

RELEASED PER PUBLIC RECORDS ACT REQUEST

GO# SA 2012-332558 CLEARED  
EXCEPTIONALLY

1315-19 245(A)(1)AWDW-NON-FIREARM

Follow Up Report # SA 31

## Follow Up Report # SA 31

### Assignment Information

Assigned to: **168 - CHANDLER, VANCE M 4008** Rank:  
Capacity: **SUPPLEMENTAL ADD (NOT FOR DETECTIVE USE)** Org unit: **OSS METRO SWAT TEAM 20**  
Assigned on: **Dec-08-2012 (Sat.) 1851** by: **168 - CHANDLER, VANCE M 4008**  
Report due on: **Dec-11-2012 (Tue.)**

### Submission Information

Submitted on: **Dec-08-2012 (Sat.) 2109**  
Approved on: **Dec-09-2012 (Sun.)** by: **268 - ENRIQUEZ, F 3020 ( )**

### Follow Up Conclusion

Follow Up concluded: **Yes**

---

### Narrative Text Report # 1

Document: **05 SUPPLEMENT**  
Author: **168 - CHANDLER, VANCE M 4008**  
Subject: **OFFICER CHANDLER**  
Related date/time: **Dec-08-2012 (Sat.) 2102**

Observations: (Officer Chandler #807-UNN13)

On 12-8-12 (Saturday) at approximately 1252 hrs I, Officer Chandler #807 (UNN13) received a page from the Sacramento Police Department communication center for a SWAT call out . The page stated that there was a takeover robbery at the Jack in the Box at 8349 Folsom Blvd with hostages inside. I responded code three to 300 Richards Blvd to pick up the Peacekeeper. I arrived at 300 Richards, loaded up the Peacekeeper and responded code three to 8349 Folsom Blvd, in the Peacekeeper.

I arrived on scene and made contact with Sergeant Brown, at the command post. Sergeant Brown gave me a quick brief of the situation. Additionally, he advised me that SWAT Officer Bevins would be in the Peacekeeper as high cover. Sergeant Brown directed me to set up the Peacekeeper as the secondary armored vehicle and make contact with Sergeant Nichols to coordinate that placement.

I drove the Peacekeeper to the rear of the Jack in the Box and made contact with Sergeant Nichols. He advised me to place the Peacekeeper in a position to get a view of the door located on the rear side of the Jack in the Box. I placed the Peacekeeper to the rear of the building, in a



# SACRAMENTO POLICE DEPARTMENT

## PUBLIC HARDCOPY

### RELEASED PER PUBLIC RECORDS ACT REQUEST

GO# SA 2012-332558 CLEARED  
EXCEPTIONALLY

1315-19 245(A)(1)AWDW-NON-FIREARM

Follow Up Report # SA 31

position to have an unobstructed view of the rear door.

After placing the Peacekeeper in this position, SWAT Officers Young and Griffin joined us. We set up as a secondary contact team for the incident. I acted as the assistant team leader at the Peacekeeper. I gave assignments to the SWAT Officers at the Peacekeeper: 1) Bevins (high cover), 2) Jarvis (lethal cover), 3) Young (less lethal), 4) Griffin (hands and distraction device), 5) K-9 Azevedo (less lethal) and I was voice (verbal commands). While in this position, Officer Griffin was switched to the Bearcat. We adapted and our assignments changed.

I took over voice and hands, while both Officer Young and K-9 Azevedo were assigned to deploy distraction devices as the hostage rescue team made entry. Additionally, SWAT Officer Jarvis and I were assigned to follow the HRT in as trailers. We had contingencies plans in place for the incident. As the incident evolved, we were updated on our rules of engagement. We were directed that if the suspect had a gun and you had a clear shot, lethal force was authorized.

At approximatley 1544 hrs I was position behind the Peacekeeper and heard numerous shots fired. As these shots were fired, I reminded K-9 Azevedo and SWAT Officer Young to deploy distraction devices. Then, Officer Jarvis and I quickly ran to the entrance door to assist the HRT team, as trailers. As I entered the Jack in the Box, I observed at least SWAT Officers with the suspect. I observed SWAT Officer Walters and SWAT Sgt. Nichols struggling with the suspect. I moved their way to assist. As I moved that way, I heard Sergeant Brown advise via radio that the suspect was in custody.

Sergeant Brown requested a TEMS guy to assist the suspect with medical aid. I took off my SWAT gloves and put on my medical gloves to assist the suspect with medical aid. SWAT Officer Edgerton was very close to the suspect and stated that he was going to assist with medical aid. At that point, SWAT Officer Walters requested assistance with clearing the rest of the building. I moved in his direction to assist with the rest of the clearing. I assisted with the clearing of the bathrooms. Then, I quickly made it back to the suspect to assist with medical aid.

Officer Edgerton was attending to him and I went up to assist. Officer Edgerton had placed him in a recovery position. Officer Edgerton and I initiated a medical assessment of the suspect, looking for areas of trauma. As we were conducting this assessment, moments later, the fire department arrived on scene. As the paramedics approached the suspect, they turned him over and I observed an apparent gunshot wound to his chest





# SACRAMENTO POLICE DEPARTMENT

## PUBLIC HARDCOPY

RELEASED PER PUBLIC RECORDS ACT REQUEST

GO# SA 2012-332558 CLEARED  
EXCEPTIONALLY

1315-19 245(A)(1)AWDW-NON-FIREARM

Follow Up Report # SA 31

area. I asked them if they needed a chest seal and they said they needed one. I grabbed a chest seal out of my medical pouch and Officer Edgerton applied it to the suspect, in the chest area, where there appeared to be a gunshot wound. I stood by as paramedics put the suspect on a board to load him for transport.



# SACRAMENTO POLICE DEPARTMENT

## PUBLIC HARDCOPY

RELEASED PER PUBLIC RECORDS ACT REQUEST

GO# SA 2012-332558 CLEARED  
EXCEPTIONALLY

1315-19 245(A)(1)AWDW-NON-FIREARM

Follow Up Report # SA 32

## Follow Up Report # SA 32

### Assignment Information

Assigned to: **990 - THOMPSON, AARON 3140** Rank:  
Capacity: **SUPPLEMENTAL ADD (NOT FOR DETECTIVE USE)** Org unit: **OSS K-9**  
Assigned on: **Dec-08-2012 (Sat.) 1851** by: **990 - THOMPSON, AARON 3140**  
Report due on: **Dec-11-2012 (Tue.)**

### Submission Information

Submitted on: **Dec-08-2012 (Sat.) 2121**  
Approved on: **Dec-09-2012 (Sun.)** by: **268 - ENRIQUEZ, F 3020 (████████)**

### Follow Up Conclusion

Follow Up concluded: **Yes**

---

### Narrative Text Report # 1

Document: **04 OBSERVATIONS**  
Author: **990 - THOMPSON, AARON 3140**  
Subject: **OFC THOMPSON 471**  
Related date/time: **Dec-08-2012 (Sat.) 1919**

On 12/08/2012 at approximately 1253hrs., I, Ofc. Thompson received a K9/SWAT callout to 8349 Folsom Blvd. Per the text of the page, a takeover robbery had occurred with hostages still inside. I responded to the page as I was the on call SWAT K9 calling Lt. Watson(SWAT Lt) regarding the response of additional K9 resources. At approximately 1347hrs., I arrived onscene at the command post located to the rear of Raleys (8391 Folsom Blvd) contacting Sgt. G. Brown(SWAT Sgt). Sgt. Brown provided a suspect description/briefing. Sgt. Brown requested that I follow the SWAT Bear Cat into the scene.

As the Bear Cat was being directed/situated, I noticed K91(Ofc. Matthew) on Folsom Blvd covering the south and west side of the business and SSD K9 (Dep Hatfield) covering the east side. \*\*Uniformed SacPd officers and SWAT officers were also onscene. I subsequently took a perimeter spot covering the north and west side of the business with my Police Service Dog, K9 Hutch, until further direction.

At approximately 1400 hrs., Ofc. Azevedo (additional SWAT K9) arrived on scene providing K9 coverage on the the north door of the business(rear service door).

I was directed by Sgt. Nichols (SWAT Sgt) to replace Dep. Hatfield on the east side of 8349 Folsom Blvd at the Bear Cat. I drove my police vehicle positioning it behind the driver's side of the Bear Cat facing



# SACRAMENTO POLICE DEPARTMENT

## PUBLIC HARDCOPY

### RELEASED PER PUBLIC RECORDS ACT REQUEST

GO# SA 2012-332558 CLEARED  
EXCEPTIONALLY

1315-19 245(A)(1)AWDW-NON-FIREARM

Follow Up Report # SA 32

south(same direction as the Bear Cat).

Lt. Watson directed K9s as a less lethal force option to prevent the suspect from fleeing on foot.

I took a position of cover behind Swat officers Griffin and Edgerton who were positioned at the hood of the Bear Cat.

At approximately 1538 hrs., Ofc. Edgerton advised that he could see the suspect inside holding a gun with a female hostage. I observed a MAA with no shirt and long shoulder length hair holding the arm of what appeared to be a female employee. The suspect looked as if he was using the employee as a shield between SWAT officers on the east side of the perimeter. The suspect and the employee disappeared towards the restroom area of the business and out of my view. My view of the suspect's hands/mid torso down was obstructed as I was positioned approximately 5-6 feet behind Ofc. Edgerton and Ofc. Griffin.

Approximately 5 minutes passed before the suspect and employee came back into my view. Again from my position, I could not see the suspect's hands. The employee and suspect paused approximately 8-10 feet inside the east doors. The suspect was behind the employee and was facing the east doors. The female employee raised both of her hands taking a step towards the door as if to walk out. The suspect lunged towards the employee attempting to pull her back further into the business. I heard two shots from my left side in the distance followed by two shots from Ofc. Edgerton who was directly in front of me. I saw the suspect run towards the front counter of the business and out of my view. The female employee fled out the east door and out of my view behind the Bear Cat. Multiple SWAT officers entered the east doors taking the suspect into custody.



# SACRAMENTO POLICE DEPARTMENT

## PUBLIC HARDCOPY

RELEASED PER PUBLIC RECORDS ACT REQUEST

GO# SA 2012-332558 CLEARED  
EXCEPTIONALLY

1315-19 245(A)(1)AWDW-NON-FIREARM

Follow Up Report # SA 33

## Follow Up Report # SA 33

### Assignment Information

Assigned to: **80 - BLESSING, MICHAEL 0266** Rank:  
Capacity: **SUPPLEMENTAL ADD (NOT FOR DETECTIVE USE)** Org unit: **OSS METRO SWAT TEAM 20**  
Assigned on: **Dec-08-2012 (Sat.) 1852** by: **80 - BLESSING, MICHAEL 0266**  
Report due on: **Dec-11-2012 (Tue.)**

### Submission Information

Submitted on: **Dec-08-2012 (Sat.) 2019**  
Approved on: **Dec-09-2012 (Sun.)** by: **268 - ENRIQUEZ, F 3020 ( )**

### Follow Up Conclusion

Follow Up concluded: **Yes**

---

### Narrative Text Report # 1

Document: **04 OBSERVATIONS**  
Author: **80 - BLESSING, MICHAEL 0266**  
Subject: **OFFICER BLESSING OBSERVATIONS**  
Related date/time: **Dec-08-2012 (Sat.) 1916**

On 12-8-2012 at approximately 1252 hours I received a text message on my cell phone regarding a SWAT/HNT call-out. The text message read that there was a takeover robbery at 8349 Folsom Blvd, Jack in the Box, and that there were hostages inside the business. I received another text message that stated the command post was staged at the rear of the Raley's at Julliard Dr. / Folsom Blvd.

I responded to the area and arrived on scene at 1500 hrs. Upon my arrival, I contacted Lt. Watson. Lt. Watson advised Sgt. Brown that I was on scene and I was directed to respond to the Armored Bearcat. The Bearcat was located on the East side of Jack in the Box. I responded to the Bearcat from the East. Upon my arrival at the Bearcat, I was advised by Sgt. Nichols that I was going to be the second man into the building if there were shots fired. I was also responsible for deploying a distraction device upon our entry. My understanding was that if there were shots fired inside the business that we were going to make entry into the business and go to the office which was the last known location of the suspect. If there were shots initiated by the police, we were to make entry and locate the suspect.

I was set up at the rear of the Bearcat with Officer Walters, Officer



# SACRAMENTO POLICE DEPARTMENT

## PUBLIC HARDCOPY

### RELEASED PER PUBLIC RECORDS ACT REQUEST

GO# SA 2012-332558 CLEARED  
EXCEPTIONALLY

1315-19 245(A)(1)AWDW-NON-FIREARM

Follow Up Report # SA 33

Rosin and Sgt Nichols. We were approximately 15 yards from the east side door. Officers observed the suspect with a gun in his hand and walking with the hostage to the restroom area of the business. The suspect and the hostage disappeared into the restroom. I heard officers over the radio state that the suspect and hostage were seen again in the business. I heard four or five shots fired and we immediately entered the business via the east side glass door. Officer Rosin opened the door, officer Walters and I entered the lobby area of the business. As we were entering, I observed a female hostage being pulled out of the east door of the business. I deployed the distraction device towards the west wall of the lobby. I observed a male Asian lying on his left side next to the customer counter and bleeding. At approximately 1545 hours, I broadcasted over the radio that the suspect was down and being taken into custody.

Once the suspect was taken into custody, we cleared the remainder of the business. Once the building was clear, I located and collected my distraction device. The distraction device was located under the fountain drink station. After I collected the distraction device, I handed it over to CSI Deardorf to be booked into Police Property.



# SACRAMENTO POLICE DEPARTMENT

## PUBLIC HARDCOPY

RELEASED PER PUBLIC RECORDS ACT REQUEST

GO# SA 2012-332558 CLEARED  
EXCEPTIONALLY

1315-19 245(A)(1)AWDW-NON-FIREARM

Follow Up Report # SA 34

## Follow Up Report # SA 34

### Assignment Information

Assigned to: **725 - NICHOLS, MICHAEL 4112** Rank:  
Capacity: **SUPPLEMENTAL ADD (NOT FOR DETECTIVE USE)** Org unit: **OSS METRO SWAT TEAM 10**  
Assigned on: **Dec-08-2012 (Sat.) 1852** by: **725 - NICHOLS, MICHAEL 4112**  
Report due on: **Dec-11-2012 (Tue.)**

### Submission Information

Submitted on: **Dec-08-2012 (Sat.) 2348**  
Approved on: **Dec-09-2012 (Sun.)** by: **268 - ENRIQUEZ, F 3020 (████████)**

### Follow Up Conclusion

Follow Up concluded: **Yes**

---

### Narrative Text Report # 1

Document: **04 OBSERVATIONS**  
Author: **725 - NICHOLS, MICHAEL 4112**  
Subject: **SGT. MIKE NICHOLS #3016**  
Related date/time: **Dec-08-2012 (Sat.) 2035**

On 12-08-12, I, Sgt. Mike Nichols #3016 (UNN20), was assigned as a Sergeant to the Sac. PD SWAT team. At approx. 1252 hrs., I received a text initiating a SWAT call-out. The text said to respond to a takeover robbery at the Jack in the Box 8349 Folsom Blvd., hostages inside. I responded utilizing lights and siren. I arrived at approx. 1320 hrs. I contacted Sgt. Greg Brown (UNN10) and received the following information in summary: When the robbery occurred there were 5-10 customers inside along with 5-10 employees. There may be at least two employees inside along with 4-5 customers. The suspect may have barricaded one of the doors using wire to keep it from opening. There was at least one suspect with one handgun inside. The suspect description was male asian around 20 years old wearing a red plaid shirt and blue jeans. Sgt. Brown asked that I move to the Jack in the Box on foot and join up with Off. Walters #453 (UNN11) who was with a rescue team at the east door. Off. Griffin #406 (UNN12) was on top of the roof of the restaurant immediately east of Jack in the Box. I met up with the rescue team and made assignments for responding armored vehicles. I asked Off. Chandler (UNN13) to move the Peace Keeper to the rear (north side) of the building to hold on the single door that opened outward toward the parking area of the strip mall. I had Off. Edgerton (UNN14) move the Bear Cat up to the rescue team. Two patrol officers with a shield were asked to move from the east exterior wall of



# SACRAMENTO POLICE DEPARTMENT

## PUBLIC HARDCOPY

### RELEASED PER PUBLIC RECORDS ACT REQUEST

GO# SA 2012-332558 CLEARED  
EXCEPTIONALLY

1315-19 245(A)(1)AWDW-NON-FIREARM

Follow Up Report # SA 34

the Jack in the Box to the Bear Cat and then away from the inner perimeter. Off. Amber Hawley had a shield and was with the rescue team. I had Off. Hawley move back to the Bear Cat and away from the seen. Off. Rosin #828 (UNN25) put up the ballistic skirts on the Bear Cat and the rest of the rescue team (Officers Walters, Kirtlan #645 (UNN23), Rosin, and Lightfoot #560 (UNN24)) moved to positions behind the Bear Cat. I had Off. Edgerton move the Bear Cat to a position near the handicap stall at the southeast corner of the Jack in the box.

Sgt. Green #3060 (UNN31) was in a high cover position in the turret of the Bear Cat. Off. Edgerton was initially assigned the Less Lethal Bean Bag Shotgun and Off. Lightfoot was initially assigned lethal cover at the front of the Bear Cat with Off. Edgerton. Off. Walters took a lethal cover position at the rear of the Bear Cat. Officers were advised over the radio that the suspect stated that if officers entered the building he would shoot the hostage.

Lt. Watson (UNN1) advised of the following rule of engagement: If the suspect was seen inside the restaurant and there was a clear shot lethal force was authorized.

The rescue team initially remained the same: Walters, Lightfoot, Kirtlan, and Rosin. Off. Lightfoot switched to a sniper position and joined Off. Villegas #618 (UNN32) on the roof of the restaurant immediately east of Jack in the Box. Off. Griffin took Off. Lightfoot's position as lethal cover and became part of the rescue team. Lt. Watson #4093 (UNN1) advised if a shot was fired inside the restaurant the rescue team was to make entry to locate the suspect and rescue the hostage.

I received a drawn diagram of the interior of the Jack in the Box from Sgt. Brown via text. It indicated that the suspect and a hostage were possibly in a room at the northeast corner of the Jack in the Box. Off. Rosin drew up the diagram and showed other SWAT officers at the Bear Cat. At approx. 1442 hrs., a female employee of Jack in the Box came to the east door and stood looking out. Off. Walters and other officers gave her commands to come out. The female employee slowly opened the door and slowly walked to Off. Walters. I spoke to the female with Off. Rosin. She was wearing a Jack in the Box name plate that had the name [REDACTED] on it. [REDACTED] spoke very little English and it was difficult to get full information from her. [REDACTED] called her daughter on her cell phone. I asked her daughter to ask [REDACTED] how many bad guys were inside and how many employees or customers were inside. After [REDACTED] and her daughter spoke, her daughter told me her mother said there were five employees inside including her manager and two bad guys. Based on the way [REDACTED] was pointing to different areas of the Jack in the Box it seemed that she was indicating there were people hiding throughout the restaurant. I advised Lt. Watson over the radio of the information I received from [REDACTED]; there were two suspects and five employees inside the Jack in the



# SACRAMENTO POLICE DEPARTMENT

## PUBLIC HARDCOPY

### RELEASED PER PUBLIC RECORDS ACT REQUEST

GO# SA 2012-332558 CLEARED  
EXCEPTIONALLY

1315-19 245(A)(1)AWDW-NON-FIREARM

Follow Up Report # SA 34

Box. Two patrol officers moved up to the Bear Cat and escorted [REDACTED] away from the scene to the command post for further interview. The east door that [REDACTED] exited remained unlocked after she came out. Sgt. Brown #3076 (UNN10) moved up to the Bear Cat and I briefed him. Sgt. Brown had the snipers move from the top of the restaurant east of the Jack in the Box to a position north of the Jack in the Box and across Folsom Blvd. Off. Blessing #266 (UNN22) moved up to the Bear Cat. At approx. 1538 hrs., officers advised there was movement inside. The suspect was described as bringing the hostage toward the front bathrooms on the east side of the Jack in the Box. One officer advised the suspect had a gun in his hand. The suspect was with the female hostage and they moved to the bathroom. No shots were fired. Officers said the hostage was too close for a shot.

The rescue team at the rear of the Bear Cat now consisted of Off. Walters, Off. Blessing, Sgt. Nichols, and Off. Rosin. Per Lt. Watson, if a shot was fired the rescue team was clear to follow the shot(s) by entering the Jack in the Box.

At approx. 1544 hrs., I heard shots fired from officers outside the Jack in the Box. We moved to enter the east door of the Jack in the Box. The female hostage was at the east door as Off. Walters reached the door. We passed the female hostage and Off. Rosin moved her to safety. Off. Blessing deployed a distraction device as we entered. I saw the suspect lying on the ground on his stomach in front of the front counter. He was not wearing a shirt. He was bleeding severely from his abdomen and I saw what appeared to be at least one bullet wound at his lower back. I saw Off. Walters move to the suspect's right side, so I moved to the suspect's left side and grabbed his left arm. His left arm was under his body and difficult to pull out to apply handcuffs. Off. Walters advised he could see a gun underneath the suspect. I looked down near the suspect's left hip and saw the handle of a gun. I eventually was able to pull the suspect's arm out from underneath him and handcuff him with assistance from Off. Walters. Off. Walters moved the handgun (revolver) away from the suspect. Off. Walters placed the handgun on the counter above where the suspect was lying on the ground. Sgt. Brown requested fire and an ambulance up to the scene. Sac. Fire entered and dealt with the suspect. He was transported from the scene in an ambulance.

I checked the exterior wall of the west side of the Jack in the Box for exit holes from rounds fired. I did not find any.





# SACRAMENTO POLICE DEPARTMENT

## PUBLIC HARDCOPY

RELEASED PER PUBLIC RECORDS ACT REQUEST

GO# SA 2012-332558 CLEARED  
EXCEPTIONALLY

1315-19 245(A)(1)AWDW-NON-FIREARM

Follow Up Report # SA 35

## Follow Up Report # SA 35

### Assignment Information

Assigned to: **3876 - JARVIS, JEREMIAH 0402** Rank:  
Capacity: **SUPPLEMENTAL ADD (NOT FOR DETECTIVE USE)** Org unit: **OSS METRO SWAT TEAM 10**  
Assigned on: **Dec-08-2012 (Sat.) 1852** by: **3876 - JARVIS, JEREMIAH 0402**  
Report due on: **Dec-11-2012 (Tue.)**

### Submission Information

Submitted on: **Dec-08-2012 (Sat.) 2040**  
Approved on: **Dec-09-2012 (Sun.)** by: **268 - ENRIQUEZ, F 3020 ( )**

### Follow Up Conclusion

Follow Up concluded: **Yes**

---

### Narrative Text Report # 1

Document: **04 OBSERVATIONS**  
Author: **3876 - JARVIS, JEREMIAH 0402**  
Subject: **OFFICER JARVIS #402**  
Related date/time: **Dec-08-2012 (Sat.) 1915**

On Saturday, 12/08/12, I, Officer Jarvis #402, was assigned to the Sacramento Police Department Special Weapons and Tactics (SWAT) team. I was off duty at my residence in [REDACTED], CA.

At 1252 hours, I received the following pages to my cell phone:

"SWAT/HNT callout, takeover 211 to Jack in the Box 8349 Folsom Bl, hostages inside.. LN26/Joy"

"CP will be to the rear of Raleys 8391 Folsom, enter WB Folsom from Watt then NB Julliard... LN26/Joy"

"Callout operating on channel 1"

I changed into my SWAT uniform and responded code 3 from my residence.

Officer Walters, Kirtlan, and I arrived at approx. 1312 hours.

I finished putting on my equipment and was deployed to the east side of the building, approx. 10-15 feet north of the door, as part of a hostage rescue team (HRT).



# SACRAMENTO POLICE DEPARTMENT

## PUBLIC HARDCOPY

### RELEASED PER PUBLIC RECORDS ACT REQUEST

GO# SA 2012-332558 CLEARED  
EXCEPTIONALLY

1315-19 245(A)(1)AWDW-NON-FIREARM

Follow Up Report # SA 35

I replaced a patrol element in that position and was the lead lethal cover on the east door. At this time, we were given reactive authority to perform a hostage rescue upon the sound of shots fired inside of the restaurant.

After time, and as more officers arrived to our location, I was replaced in that position by officer Kirtlan and was moved to third in the stack for the HRT.

Officer Walters advised that we needed an officer to the south side of the building. Under his order, I moved to a position behind a white Mitsubishi on the south side of the building. From this position I could see into the eating area of Jack in the Box, but could not see further into the restaurant due to tinting. I relayed to officer Walters that there was no door on the south side and he advised me to move.

I moved to the east side of the building to the east. As I did, I observed one of our armored vehicles, the Peace Keeper, approaching.

I got into the Peace Keeper with Assistant Team Leader (ATL) Chandler and Officer Bevins.

We were deployed to the north side of the Jack in the Box. There I was assigned lethal cover from the front of the vehicle.

We were given the following reactive authority in summary:

"If the suspect is armed, inside of the building, and an officer has a clean shot, lethal force is authorized."

ATL Chandler gave me the following assignments from my position:

If the suspect came out of the building, I was to maintain lethal cover.

If the suspect was shot by less lethal weapons, I was to lead the arrest team with lethal cover.

If the HRT team conducted an entry, I was to follow ATL Chandler and follow the HRT team into the building as a trailer/rear cover.

At approx. 1544 hours, shots were fired. I followed ATL Chandler to the west side of the building and followed the HRT team into the building. I observed the suspect, face down on the ground in front of the register



# SACRAMENTO POLICE DEPARTMENT

## PUBLIC HARDCOPY

### RELEASED PER PUBLIC RECORDS ACT REQUEST

GO# SA 2012-332558 CLEARED  
EXCEPTIONALLY

1315-19 245(A)(1)AWDW-NON-FIREARM

Follow Up Report # SA 35

area. Several officers were struggling with the suspect whose hands were still under his body. I saw a revolver come out from the right side of his body. I observed officers place him in handcuffs. I observed and heard SGT Brown request a medic for the suspect. I observed ATL Chandler go to assist the down suspect.

I assisted the team in clearing the rest of the building.

I remained at the scene until told to respond to 300 richards and complete my report.



# SACRAMENTO POLICE DEPARTMENT

## PUBLIC HARDCOPY

RELEASED PER PUBLIC RECORDS ACT REQUEST

GO# SA 2012-332558 CLEARED  
EXCEPTIONALLY

1315-19 245(A)(1)AWDW-NON-FIREARM

Follow Up Report # SA 36

## Follow Up Report # SA 36

### Assignment Information

Assigned to: **3700 - YOUNG, ROBERT 3102** Rank:  
Capacity: **SUPPLEMENTAL ADD (NOT FOR DETECTIVE USE)** Org unit: **OSS METRO SWAT TEAM 20**  
Assigned on: **Dec-08-2012 (Sat.) 1852** by: **3700 - YOUNG, ROBERT 3102**  
Report due on: **Dec-11-2012 (Tue.)**

### Submission Information

Submitted on: **Dec-08-2012 (Sat.) 2014**  
Approved on: **Dec-09-2012 (Sun.)** by: **268 - ENRIQUEZ, F 3020 (████████)**

### Follow Up Conclusion

Follow Up concluded: **Yes**

---

### Narrative Text Report # 1

Document: **05 SUPPLEMENT**  
Author: **3700 - YOUNG, ROBERT 3102**  
Related date/time: **Dec-08-2012 (Sat.) 2005**

On 12/08/12 at approximately 1252 hours, I, Officer Young #313 received a page from the Sacramento Police Departments communications center the page stated the following: SWAT/HNT callout, takeover 211 to Jack in the Box 8349 Folsom Bl, hostages inside. I am currently assigned to the Sacramento Police Departments SWAT team as a SWAT operator.

I responded "code 3" to the command post located at 8391 Folsom Blvd. Upon arrival I took a position on the north side of the Jack in the Box. SWAT operators arrived with one of our armored vehicles "Peace Keeper" and parked the vehicle behind the Jack in the Box on the north side of the building. I then took a position of cover behind the armored vehicle were I was assigned a less lethal position by Officer Chandler. I had the 40 mm less lethal weapon and held on the rear door of the business.

At that time officers were given reactive authority by our SWAT commander (Lieutenant Watson). Via radio the reactive authority was given as such: if we had visual of the suspect and he had a gun in his hands we were to use deadly force if we had a clear shot.

Officer Chandler advised that if a Hostage Rescue Team was deployed into the business I was to deploy a distraction device "flash bang" to the rear of the business. When I heard shots fired and the Hostage Rescue Team was



**SACRAMENTO POLICE DEPARTMENT**

**PUBLIC HARDCOPY**

**RELEASED PER PUBLIC RECORDS ACT REQUEST**

**GO# SA 2012-332558 CLEARED  
EXCEPTIONALLY**

**1315-19 245(A)(1)AWDW-NON-FIREARM**

Follow Up Report # SA 36

deployed I deployed a "flash bang" to the rear of the business. I held my position until the business was clear.



# SACRAMENTO POLICE DEPARTMENT

## PUBLIC HARDCOPY

RELEASED PER PUBLIC RECORDS ACT REQUEST

GO# SA 2012-332558 CLEARED  
EXCEPTIONALLY

1315-19 245(A)(1)AWDW-NON-FIREARM

Follow Up Report # SA 37

## Follow Up Report # SA 37

### Assignment Information

Assigned to: **107 - BROWN, PAUL 0500** Rank:

Capacity: **SUPPLEMENTAL ADD (NOT FOR DETECTIVE USE)** Org unit: **OOO PATROL DIST 6 DAY (TEAM 33)**

Assigned on: **Dec-08-2012 (Sat.) 1852** by: **107 - BROWN, PAUL 0500**

Report due on: **Dec-11-2012 (Tue.)**

### Submission Information

Submitted on: **Dec-08-2012 (Sat.) 1836**

Approved on: **Dec-09-2012 (Sun.)** by: **268 - ENRIQUEZ, F 3020 (████████)**

### Follow Up Conclusion

Follow Up concluded: **Yes**

---

### Narrative Text Report # 1

Document: **04 OBSERVATIONS**

Author: **107 - BROWN, PAUL 0500**

Related date/time: **Dec-08-2012 (Sat.) 1753**

12-8-12/1234 hours I Brown #500 (1b64) responded to 8349 Folsom Blvd (Jack in the Box) regarding an armed robbery in progress. 1249 hours I arrived onscene.

-----  
While enroute SPD Dispatch advised that the "business had just been robbed" by a "Male Asian adult armed with a gun". Numerous updates were being provided by various callers. One update had two (2) possible suspects fleeing the business along with an armed undercover CIA agent witnessing the incident".

-----  
I arrived onscene along with OFC LaFlamme (1b69) entering from the west parking lot access (off Notre Dame Dr) and stopped west of the Jack in the Box where he immediately got hailed by numerous subjects, including the store manager of Jack in the Box. OFC LaFlamme contacted those individuals while I posted up to visually monitor the north and west side of business.

-----  
I saw a MWA at the business north door appearing to be holding the north pedestrian door closed. He looked to be wearing a tactical law enforcement marked jacket and was holding in his right hand what appeared to be a possible handgun. Additional units just began to arrive on the east side of business closer to this subject and they made contact with him.



**SACRAMENTO POLICE DEPARTMENT**

**PUBLIC HARDCOPY**

**RELEASED PER PUBLIC RECORDS ACT REQUEST**

**GO# SA 2012-332558 CLEARED  
EXCEPTIONALLY**

**1315-19 245(A)(1)AWDW-NON-FIREARM**

Follow Up Report # SA 37

-----  
I maintained a perimeter position to the northwest of the business along with other officers. I also established traffic control to close Folsom Blvd to vehicle traffic and pedestrian traffic. I help established and maintain a crime scene perimeter west of the business.  
-----

Upon completion of the tactical SWAT deployment, I was directed to maintain an inner west perimeter as a crime scene which included a rifle casing located adjacent to marked squad unit of OFC Matthew (K9-1) in the eastbound lane of Folsom Blvd. While maintaining the inner perimeter south of the business, SFD did cross the east crime scene perimeter controlled by scene tape and entered the parking lot of 8391 Folsom Blvd to drive and stop directly in front of the business. We had SFD exit on the path that they entered to leave the crime scene.  
-----

I was relieved by another officer in order to attend the incident command post. I was released from the scene by SGT Lommorri (2SM3).



# SACRAMENTO POLICE DEPARTMENT

## PUBLIC HARDCOPY

RELEASED PER PUBLIC RECORDS ACT REQUEST

GO# SA 2012-332558 CLEARED  
EXCEPTIONALLY

1315-19 245(A)(1)AWDW-NON-FIREARM

Follow Up Report # SA 38

## Follow Up Report # SA 38

### Assignment Information

Assigned to: **3301 - VASQUEZ, ALEX 0869** Rank:

Capacity: **SUPPLEMENTAL ADD (NOT FOR DETECTIVE USE)** Org unit: **OOO PATROL DIST 6 MID (TEAM 35)**

Assigned on: **Dec-08-2012 (Sat.) 1852** by: **3301 - VASQUEZ, ALEX 0869**

Report due on: **Dec-11-2012 (Tue.)**

### Submission Information

Submitted on: **Dec-08-2012 (Sat.) 2134**

Approved on: **Dec-09-2012 (Sun.)** by: **268 - ENRIQUEZ, F 3020 ( )**

### Follow Up Conclusion

Follow Up concluded: **Yes**

---

### Narrative Text Report # 1

Document: **04 OBSERVATIONS**

Author: **3301 - VASQUEZ, ALEX 0869**

Subject: **OBSERVATIONS**

Related date/time: **Dec-08-2012 (Sat.) 1953**

OBSERVATIONS:

On 12-8-12, at approx. I was dispatched to 8349 Folsom Blvd., to assist on a robbery in progress. Upon arrival, the following occurred in summary:

I was instructed by Sgt Lommori, to relieve a dayshift unit. I relieved Ofc Paul Brown. who was standing by with a spent casing in the WB #2 lane of Folsom Blvd south of 8349. I was relieved by Ofc Kelly Morrison. Sgt Morris released me from the scene.





# SACRAMENTO POLICE DEPARTMENT

## PUBLIC HARDCOPY

RELEASED PER PUBLIC RECORDS ACT REQUEST

GO# SA 2012-332558 CLEARED  
EXCEPTIONALLY

1315-19 245(A)(1)AWDW-NON-FIREARM

Follow Up Report # SA 39

## Follow Up Report # SA 39

### Assignment Information

Assigned to: **511 - KIRTLAN, JOSHUA 3122** Rank:  
Capacity: **SUPPLEMENTAL ADD (NOT FOR DETECTIVE USE)** Org unit: **OSS METRO SWAT TEAM 20**  
Assigned on: **Dec-08-2012 (Sat.) 1853** by: **511 - KIRTLAN, JOSHUA 3122**  
Report due on: **Dec-11-2012 (Tue.)**

### Submission Information

Submitted on: **Dec-08-2012 (Sat.) 1955**  
Approved on: **Dec-09-2012 (Sun.)** by: **268 - ENRIQUEZ, F 3020 (████████)**

### Follow Up Conclusion

Follow Up concluded: **Yes**

---

### Narrative Text Report # 1

Document: **04 OBSERVATIONS**  
Author: **511 - KIRTLAN, JOSHUA 3122**  
Subject: **KIRTLAN**  
Related date/time: **Dec-08-2012 (Sat.)**

On 12-8-12 at approx. 1252 hrs., I received a text message from SPD dispatch that said that there was a SWAT call-out due to a takeover robbery at the Jack in the Box at 8349 Folsom Blvd. and that there were hostages inside.

At the above time, I was a member of the SPD SWAT team and also on-call. I responded code-3 (lights and sirens) from my residence to the scene. I arrived on scene at approx. 1312 hrs. with ofc. Jarvis and ofc. Walters. I got geared up, grabbed my M-4 machine gun, Remington 700 sniper rifle, and my Remington 870 breaching shotgun. The three of us ran to the east side of the Jack in the box and formed an emergency hostage rescue team. I was covering the side door (east side) and had ofc. Walters and ofc. Jarvis behind me. I was told by ofc. Walters that I would be #2 if an entry was to be performed and that he would be #1 through the door. A short while later, ofc. Rosin joined us. He became our breacher in the event of a hostage rescue having to be performed. A plan for a covered pile was also devised with my assignment being a tackler.

The Bear Cat armored vehicle arrived on scene and on the east side. We retreated from our position on the side of the building and took cover behind the Bear Cat which was eventually parked to the east of the



# SACRAMENTO POLICE DEPARTMENT

## PUBLIC HARDCOPY

### RELEASED PER PUBLIC RECORDS ACT REQUEST

GO# SA 2012-332558 CLEARED  
EXCEPTIONALLY

1315-19 245(A)(1)AWDW-NON-FIREARM

Follow Up Report # SA 39

business. My initial position on the Bear Cat was as lethal cover at the front of the vehicle. I was also designated as either #2 or #3 in the hostage rescue team in case of an assault on the building being needed. I eventually was relieved from those duties by ofc. Griffin.

I was later assigned as a breacher who was to make entry with ofc. Griffin and Edgerton as "A" cell in the event that a hostage rescue was to be performed.

During this ordeal, we had received several different rules of engagement for different scenarios. The final rule that we received was that in the event of us spotting the suspect and if he had a gun in his hand then lethal force was authorized.

At the point that the suspect was spotted in the business, I grabbed my M-4 machine gun and took a position at the front of the Bear Cat and to the left of ofc. Griffin and ofc. Edgerton. I got a slight glimpse of the suspect as he directed the female hostage down the hallway to the bathrooms. As he followed her down the hallway, I saw what appeared to be a handgun in his right hand. Ofc. Griffin voiced this information over the radio.

I held my position at the front of the Bear Cat. The suspect and hostage reappeared from the hallway. I could clearly see the hostage as she was facing the glass door that I was looking into. She had her arms in the air and it appeared that she was walking towards the door. I had a very slight view of the suspect between the door frame and the hostage. I could not see if the suspect had a gun or not at this point. I heard several gun shots and I saw the suspect fall to the floor. I did not fire any rounds.

I then made entry into the building and assisted with clearing it. Our clearing team did not encounter any other suspects or victims inside.



# SACRAMENTO POLICE DEPARTMENT

## PUBLIC HARDCOPY

RELEASED PER PUBLIC RECORDS ACT REQUEST

GO# SA 2012-332558 CLEARED  
EXCEPTIONALLY

1315-19 245(A)(1)AWDW-NON-FIREARM

Follow Up Report # SA 40

## Follow Up Report # SA 40

### Assignment Information

Assigned to: **32 - AZEVEDO, JOHN 0809** Rank:  
Capacity: **SUPPLEMENTAL ADD (NOT FOR DETECTIVE USE)** Org unit: **OSS K-9**  
Assigned on: **Dec-08-2012 (Sat.) 1853** by: **32 - AZEVEDO, JOHN 0809**  
Report due on: **Dec-11-2012 (Tue.)**

### Submission Information

Submitted on: **Dec-08-2012 (Sat.) 2216**  
Approved on: **Dec-09-2012 (Sun.)** by: **268 - ENRIQUEZ, F 3020 ( )**

### Follow Up Conclusion

Follow Up concluded: **Yes**

---

### Narrative Text Report # 1

Document: **04 OBSERVATIONS**  
Author: **32 - AZEVEDO, JOHN 0809**  
Subject: **OFFICER AZEVEDO OBSERVATIONS**  
Related date/time: **Dec-08-2012 (Sat.) 1927**

Officer Azevedo observations: (K9-8)

On Saturday, 12/8/12, I, Officer Azevedo, received information via page that a robbery to a business was occurring where hostages had been taken at the Jack In the Box restaurant located at 8349 Folsom Bl. Responding from my residence I was instructed to assemble with other officers at the established command post located to the rear of Raley's Grocery store located at 8391 Folsom Bl.

Upon arrival I met with Sergeant Brown, (UNN10), where I received deployment instructions and was directed to respond to the rear of the Jack In the Box restaurant, (north side). There I met with S.W.A.T. operators already in a position of cover behind the Sacramento Police armored vehicle. I parked my K9 patrol vehicle approximately twelve feet to the north of the armored car facing a westbound direction. From my position I observed the Sacramento Police Department "Bearcat" vehicle parked along the east parking lot. The vehicle was facing a southbound direction with Officer Thompson's canine patrol vehicle parked just east of it. I could see multiple S.W.A.T. operators in a cover position behind the vehicle as well as Officer Green, (UNN31), in the upper turret.



# SACRAMENTO POLICE DEPARTMENT

## PUBLIC HARDCOPY

### RELEASED PER PUBLIC RECORDS ACT REQUEST

GO# SA 2012-332558 CLEARED  
EXCEPTIONALLY

1315-19 245(A)(1)AWDW-NON-FIREARM

Follow Up Report # SA 40

Once in position I contacted Officer Chandler, (UNN13), who clarified canine deployment response criteria. I was advised that if the suspect fled from the rear of the business I was authorized to deploy my police service canine "Echo" in an effort to apprehend him to prevent his escape or entry back into the restaurant. Officer Chandler also supplied me with a distraction device and advised I was to deploy it toward the rear door of the restaurant in the event officers made entry.

After multiple hours I was advised via radio that officers toward the front of the restaurant observed what appeared to be the suspect moving inside before he relocated out of sight. I was then advised the suspect had appeared once again near the front counter of the restaurant. From my position of cover I observed Officer Green fire one round toward the restaurant in a westbound direction. I then heard additional rounds fired but did not observe from where they were fired. Maintaining my position I observed multiple S.W.A.T. operators running toward the east entrance of the business. As they did so I deployed one distraction device directly toward the rear, (north), exit. It detonated approximately four feet north of the door. Moments later I was advised via radio that the remaining hostage was safely out of the restaurant and the suspect disabled. Code three medics were immediately summoned to the scene.

- End of Observations -



# SACRAMENTO POLICE DEPARTMENT

## PUBLIC HARDCOPY

RELEASED PER PUBLIC RECORDS ACT REQUEST

GO# SA 2012-332558 CLEARED  
EXCEPTIONALLY

1315-19 245(A)(1)AWDW-NON-FIREARM

Follow Up Report # SA 41

## Follow Up Report # SA 41

### Assignment Information

Assigned to: **3859 - LOPEZ, SAMUEL 0571** Rank:

Capacity: **SUPPLEMENTAL ADD (NOT FOR DETECTIVE USE)** Org unit: **OOO PATROL DIST 6 MID (TEAM 35)**

Assigned on: **Dec-08-2012 (Sat.) 1853** by: **3859 - LOPEZ, SAMUEL 0571**

Report due on: **Dec-11-2012 (Tue.)**

### Submission Information

Submitted on: **Dec-08-2012 (Sat.) 2318**

Approved on: **Dec-09-2012 (Sun.)** by: **268 - ENRIQUEZ, F 3020 (████████)**

### Follow Up Conclusion

Follow Up concluded: **Yes**

---

### Narrative Text Report # 1

Document: **04 OBSERVATIONS**

Author: **3859 - LOPEZ, SAMUEL 0571**

Subject: **OFC. LOPEZ #571**

Related date/time: **Dec-08-2012 (Sat.) 2311**

On Saturday (12/08/2012), at approx. 1620 hours, Ofc. Wiseman #346 and I (Ofc. Lopez #571) were dispatched to 8349 Folsom Blvd (Jack in the Box) to assist officers on scene in obtaining any possible witness statements. We arrived on scene at approx. 1630 hours.

Upon our arrival, we were advised that everyone had been talked to. We assisted in relieving day shift officers and provided scene security near Chase Bank in the shopping center.

At approx. 1910 hours we were released from the scene by 3SM3 (Sgt. Morris).



# SACRAMENTO POLICE DEPARTMENT

## PUBLIC HARDCOPY

RELEASED PER PUBLIC RECORDS ACT REQUEST

GO# SA 2012-332558 CLEARED  
EXCEPTIONALLY

1315-19 245(A)(1)AWDW-NON-FIREARM

Follow Up Report # SA 42

## Follow Up Report # SA 42

### Assignment Information

Assigned to: **4013 - KNOBLOCK, NICHOLAS 0239** Rank:

Capacity: **SUPPLEMENTAL ADD (NOT FOR DETECTIVE USE)** Org unit: **OOO PATROL DIST 3 DAY (TEAM 14)**

Assigned on: **Dec-08-2012 (Sat.) 1853** by: **4013 - KNOBLOCK, NICHOLAS 0239**

Report due on: **Dec-11-2012 (Tue.)**

### Submission Information

Submitted on: **Dec-08-2012 (Sat.) 1744**

Approved on: **Dec-09-2012 (Sun.)** by: **268 - ENRIQUEZ, F 3020 (████████)**

### Follow Up Conclusion

Follow Up concluded: **Yes**

---

### Narrative Text Report # 1

Document: **04 OBSERVATIONS**

Author: **4013 - KNOBLOCK, NICHOLAS 0239**

Subject: **OFC. KNOBLOCK #239**

Related date/time: **Dec-08-2012 (Sat.) 1719**

---

On 12-8-12 at approx. 1235 hrs. I, Ofc. Knoblock and multiple other Officers were dispatched to 8349 Folsom Blvd (Jack In The Box) regarding a subject inside with a gun. I responded Code 3 from 15th St and R St to the scene.

I arrived on scene at approx. 1240 hrs.

When I arrived on scene I was on the east side of the business. I held a perimeter spot until I was assigned to an arrest team by Sgt. Lommori. We then moved to the east wall of the building and waited for S.W.A.T. Officers to arrive.

We were eventually relieved from our position on the east wall by S.W.A.T. Officers.

I then returned to the east side of the building to stage as a rescue team.

As S.W.A.T. engaged the suspect, I, along with other officers, grabbed the last hostage (young female in olive green "Jack in the Box" shirt). I grabbed the hostage's arm and ran with her to safety, behind a nearby



# SACRAMENTO POLICE DEPARTMENT

## PUBLIC HARDCOPY

RELEASED PER PUBLIC RECORDS ACT REQUEST

GO# SA 2012-332558 CLEARED  
EXCEPTIONALLY

1315-19 245(A)(1)AWDW-NON-FIREARM

Follow Up Report # SA 42

building.

I then returned to the scene and began a list of Officers for a crime scene log. The log was turned over to Ofc. Briggs.

I stayed on scene until I was released by Sgt. Lommori.



# SACRAMENTO POLICE DEPARTMENT

## PUBLIC HARDCOPY

RELEASED PER PUBLIC RECORDS ACT REQUEST

GO# SA 2012-332558 CLEARED  
EXCEPTIONALLY

1315-19 245(A)(1)AWDW-NON-FIREARM

Follow Up Report # SA 43

## Follow Up Report # SA 43

### Assignment Information

Assigned to: **421 - HITCHCOCK, RICHARD J 7718** Rank:

Capacity: **SUPPLEMENTAL ADD (NOT FOR DETECTIVE USE)** Org unit: **OOO PATROL DIST 6 MID (TEAM 35)**

Assigned on: **Dec-08-2012 (Sat.) 1853** by: **421 - HITCHCOCK, RICHARD J 7718**

Report due on: **Dec-11-2012 (Tue.)**

### Submission Information

Submitted on: **Dec-08-2012 (Sat.) 1740**

Approved on: **Dec-10-2012 (Mon.)** by: **268 - ENRIQUEZ, F 3020 ( )**

### Follow Up Conclusion

Follow Up concluded: **Yes**

---

### Narrative Text Report # 1

Document: **04 OBSERVATIONS**

Author: **421 - HITCHCOCK, RICHARD J 7718**

Subject: **HITCHCOCK OBS**

Related date/time: **Dec-08-2012 (Sat.) 1720**

Observations: At 1600 hours, I R-Hitchcock #3053 responded to the scene to assist. I checked with the IC, Lt. Davis. Lt. Davis directed me to transport a witness ( ) to 300 Richards Blvd to be interviewed by detectives, Mr. is an armed fugitive recovery agent who unholstered his handgun during the incident. His weapon was being stored in PIO Officer Doug Morse's vehicle. I retrieved the handgun, a detached loaded magazine and one live round of ammo from Officer Morse's vehicle. At 1640 hours, I transported Mr. to Central. I met Detective Guerra and turned over Mr. weapon to him.





# SACRAMENTO POLICE DEPARTMENT

## PUBLIC HARDCOPY

RELEASED PER PUBLIC RECORDS ACT REQUEST

GO# SA 2012-332558 CLEARED  
EXCEPTIONALLY

1315-19 245(A)(1)AWDW-NON-FIREARM

Follow Up Report # SA 44

## Follow Up Report # SA 44

### Assignment Information

Assigned to: 3666 - HAWLEY, AMBER 0216 ( ) Rank:

Capacity: SUPPLEMENTAL ADD (NOT FOR DETECTIVE USE) Org unit: OOO PATROL DIST 6 DAY  
(TEAM 33)

Assigned on: Dec-08-2012 (Sat.) 1853 by: 3666 - HAWLEY, AMBER 0216 ( )

Report due on: Dec-11-2012 (Tue.)

### Submission Information

Submitted on: Dec-08-2012 (Sat.) 1746

Approved on: Dec-09-2012 (Sun.) by: 268 - ENRIQUEZ, F 3020 ( )

### Follow Up Conclusion

Follow Up concluded: Yes

---

### Narrative Text Report # 1

Document: 04 OBSERVATIONS

Author: 3666 - HAWLEY, AMBER 0216 ( )

Subject: HAWLEY, A #216

Related date/time: Dec-08-2012 (Sat.) 1717

On 12-08-2012 at approximately 1246 hours I, Officer Hawley #216 (1B28), was dispatched to 8349 Folsom Blvd regarding a robbery in progress occurring at the Jack in the Box. Several officers were already on scene and I was dispatched for additional resources. I arrived on scene at approximately 1258 hours.

I was part of a contact team assembled by Sgt Lommori (2SM3). We took a perimeter position along the east wall of the building. I stayed in place until I was relieved by SWAT officers. I maintained a position on the east (outer) perimeter.

I observed , walk out of the east door of the Jack in the Box. SWAT detained her momentarily. I took custody of from the SWAT officers. I transported in a marked patrol vehicle to the Command Post, where she was talked to by the Hostage Negotiations Team.

I transported , and to 300 Richards Blvd. Officer Cabrera took custody of them at 300 Richards Blvd. I did not interview or question anyone involved in this incident.



# SACRAMENTO POLICE DEPARTMENT

## PUBLIC HARDCOPY

RELEASED PER PUBLIC RECORDS ACT REQUEST

GO# SA 2012-332558 CLEARED  
EXCEPTIONALLY

1315-19 245(A)(1)AWDW-NON-FIREARM

Follow Up Report # SA 45

## Follow Up Report # SA 45

### Assignment Information

Assigned to: **3536 - MCPHAIL, MATTHEW 3144** Rank:

Capacity: **SUPPLEMENTAL ADD (NOT FOR DETECTIVE USE)** Org unit: **OOO PATROL DIST 4 DAY (TEAM 21)**

Assigned on: **Dec-08-2012 (Sat.) 1853** by: **3536 - MCPHAIL, MATTHEW 3144**

Report due on: **Dec-11-2012 (Tue.)**

### Submission Information

Submitted on: **Dec-08-2012 (Sat.) 1750**

Approved on: **Dec-09-2012 (Sun.)** by: **268 - ENRIQUEZ, F 3020 (████████)**

### Follow Up Conclusion

Follow Up concluded: **Yes**

---

### Narrative Text Report # 1

Document: **04 OBSERVATIONS**

Author: **3536 - MCPHAIL, MATTHEW 3144**

Subject: **OFC MCPHAIL #443, 1B44**

Related date/time: **Dec-08-2012 (Sat.) 1731**

On 12/08/12, at approximately 1339 hours, I (Ofc McPhail) was dispatched to 8349 Folsom Blvd to assist officers who were already on scene of an armed robbery where the suspect had barricaded himself inside. I arrived on scene at 1400 hours.

Upon arriving on scene, I assisted in maintaining the outer perimeter on the west side of the command post. From my position, I did not have any view of the Jack in the Box restaurant. I remained at that position until I was asked by LN27 to make contact with the ambulance that had arrived on scene and follow it (with the suspect inside) to the hospital. Ofc Byron also responded to the hospital in side the ambulance.

Officer Byron and I stood by with the suspect at UCD medical center while he received medical treatment for his injuries. Medical staff had removed all of his clothing while he was in the emergency room and I promptly collected it in a red plastic biohazard bag. At approximately 1700 hours, medical personnel ceased their efforts at resuscitating the suspect. Prior to hearing from medical personnel about his exact time of death (see officer Byron's observations), I was advised by LN27 to clear the scene. I turned over the red plastic bag containing the suspects clothing to Officer



**SACRAMENTO POLICE DEPARTMENT**

**PUBLIC HARDCOPY**

**RELEASED PER PUBLIC RECORDS ACT REQUEST**

**GO# SA 2012-332558 CLEARED  
EXCEPTIONALLY**

**1315-19 245(A)(1)AWDW-NON-FIREARM**

**Follow Up Report # SA 45**

Byron and cleared the scene.

I did not take any statements from any suspects, witnesses, or victims.



# SACRAMENTO POLICE DEPARTMENT

## PUBLIC HARDCOPY

RELEASED PER PUBLIC RECORDS ACT REQUEST

GO# SA 2012-332558 CLEARED  
EXCEPTIONALLY

1315-19 245(A)(1)AWDW-NON-FIREARM

Follow Up Report # SA 46

## Follow Up Report # SA 46

### Assignment Information

Assigned to: **109 - BROWN, GREG 3076** ( ) Rank:  
Capacity: **SUPPLEMENTAL ADD (NOT FOR DETECTIVE USE)** Org unit: **OSS METRO SWAT TEAM 10**  
Assigned on: **Dec-09-2012 (Sun.) 1854** by: **109 - BROWN, GREG 3076** ( )  
Report due on: **Dec-11-2012 (Tue.)**

### Submission Information

Submitted on: **Dec-09-2012 (Sun.) 18**  
Approved on: **Dec-09-2012 (Sun.)** by: **268 - ENRIQUEZ, F 3020** ( )

### Follow Up Conclusion

Follow Up concluded: **Yes**

---

### Narrative Text Report # 1

Document: **04 OBSERVATIONS**  
Author: **109 - BROWN, GREG 3076** ( )  
Subject: **SGT G. B. BROWN #3076**  
Related date/time: **Dec-09-2012 (Sun.) 16**

---

OBSERVATIONS - Sgt G. B. Brown #3076

At 1251 hrs on 12-8-12, I (Sgt G. B. Brown #3076 / UNN10) was the SWAT Team Leader on-call when I received a text of a SWAT Call Out to the Jack in the Box - 8349 Folsom Bl. The text indicated that a takeover 211 had occurred and that hostages were being held inside the location. I responded to the Command Post at the rear of Raley's - 8391 Folsom Bl "code 3" and arrived at approximately 1315 hrs. Upon arrival I contacted the Incident Commander (Lt D. Joy #4063 / LN26) and was briefed regarding the incident. I was told that two Male Asian Suspects had entered the Jack in the Box with handguns, and that there had been five to ten customers and five employees inside initially. Three employees had been accounted for as fleeing the location leaving two employees inside and an unknown number of customers. I was also briefed that the 3 side - rear door was possibly ajar, & that the 2 side doors were locked. The Suspects were said to be barricading themselves into the Office with the hostages. They had apparently been asking about wire to secure doors, and roof access from inside the location. I was then told that upon further debriefing of the escaped employees it had been determined that there was only one Suspect inside the location.



# SACRAMENTO POLICE DEPARTMENT

## PUBLIC HARDCOPY

### RELEASED PER PUBLIC RECORDS ACT REQUEST

GO# SA 2012-332558 CLEARED  
EXCEPTIONALLY

1315-19 245(A)(1)AWDW-NON-FIREARM

Follow Up Report # SA 46

SWAT Ofc Walters #453 / UNN11 had previously arrived and was deploying SWAT resources at the location to include an emergency Entry Team. At approximately 1320 hrs, SWAT Sgt Nichols #3016 / UNN20 arrived. I briefed him and deployed him to the location with directions to assist with the emergency Entry / Arrest Team. Soon thereafter the armored vehicles began to arrive. SWAT Ofc Chandler #807 / UNN13 was driving the Peacekeeper, and Ofc Edgerton #826 / UNN14 had the Bearcat. Sgt A. Green #3060 / UNN31 and Ofc T. Bevins #227 / UNN26 had arrived along with K-9 Ofc's A. Thompson #471 / K9-10 and J. Azevedo #809 / K9-8. I briefed them and directed that they load AR-10 rifles into each of the armored vehicles along with Less Lethal weapons and breaching equipment. K9-10 was directed to accompany the Bearcat, and K9-8 was directed to accompany the Peacekeeper. I then deployed them and radio'ed Sgt Nichols to direct their placement. The Peacekeeper was placed on the 3 side and the Bearcat was placed on the 4 side with Sgt Nichols and the emergency Entry / Arrest Team.

Incident Commander Lt Joy approved reactive authority as follows:  
If the Suspect exits and attempts to re-enter - less lethal / lethal force authorized to prevent re-entry  
If Officers have a clear shot on the Suspect inside - lethal force and follow up entry authorized  
Shots fired inside the location - entry authorized

I was later given a floor plan drawn by employees which included the location of the Office and several other rooms behind the counter in the "employees only" area of the business. I took a cell phone photo of the floor plan and sent it electronically to Sgt Nichols cell phone to be shared with the emergency Entry Team. Hostage Negotiators advised that they now had access to an open cell phone line of one of the hostages inside. The hostage had stated that she was being held by a subject armed with a handgun in one of the rear rooms of the business.

I communicated via cell phone with Sgt Nichols to determine inner perimeter locations for all personnel. At that time the positions were as follows:

1 / 2 Corner  
Patrol Vehicle  
Ofc A. Davis  
Ofc Linda Mathews / K9-1

2 / 3 Corner  
Patrol Vehicle  
Patrol Rifle Team Member



# SACRAMENTO POLICE DEPARTMENT

## PUBLIC HARDCOPY

RELEASED PER PUBLIC RECORDS ACT REQUEST

GO# SA 2012-332558 CLEARED  
EXCEPTIONALLY

1315-19 245(A)(1)AWDW-NON-FIREARM

Follow Up Report # SA 46

Sgt M. Lommori  
SSD K-9 Ofc

3 Side  
Peacekeeper  
Ofc V. Chandler - AT/L  
Ofc T. Bevins - H/C  
Ofc R. Young  
Ofc J. Jarvis  
Ofc J. Azevedo / K9-8

4 Side  
Bearcat  
Sgt M. Nichols - T/L  
Ofc A. Green - H/C  
Ofc S. Walters - Entry / Arrest  
Ofc K. Griffin - Entry / Arrest  
Ofc T. Edgerton - Entry / Arrest  
Ofc J. Kirtlan - Entry / Arrest  
Ofc D. Rosin - Entry / Arrest (Breacher)  
Ofc A Thompson / K9-10

Sniper Team - On top of Umeko Restaraunt  
Ofc A. Villegas  
Ofc J. Lightfoot

At 1442 hrs, Arrest Team members advised a hostage had exited the 4 side doors. The Arrest Team advised she had been hiding in the bathroom and believed there were two Suspects and five hostages still inside. At this point, I briefed Incident Commander Lt Joy and Tactical Commander Lt J. Watson #4093 / UNN1 of the inner perimeter locations and advised them I was deploying to the scene.

I arrived at the Bearcat location and discussed the entry plan with Sgt Nichols. We chose the 4 Side as the primary entry point due to the fact that the Entry Team had observed a hostage exit the doors uninhibited. The 3 Side door was ruled out for entry due to the fact that Suspect had been asking for wire to secure doors, and was possibly tied shut as reported by Lt Watson through the Hostage Negotiations Team who had been communicating with the hostage. I then re-deployed our Sniper Team to take a location on the 1 side as I felt that their field of view was too similar to that of the Bearcat personnel. They moved to a location across Folsom Bl from the location. I then requested additional resources from the Sacramento County Sheriff's SED Team of another Bearcat vehicle and Sniper Team with the



# SACRAMENTO POLICE DEPARTMENT

## PUBLIC HARDCOPY

### RELEASED PER PUBLIC RECORDS ACT REQUEST

GO# SA 2012-332558 CLEARED  
EXCEPTIONALLY

1315-19 245(A)(1)AWDW-NON-FIREARM

Follow Up Report # SA 46

intent of deploying them to assist at the 1 / 2 Corner and 2 Sides. Ofc M. Blessing #266 / UNN22 arrived and supplemented the Entry / Arrest Team.

At approximately 1530 hrs, Lt Watson advised via cell phone that the Suspect was planning to use the bathroom and may be moving soon. Lt Watson further advised that the hostage may attempt to escape if the opportunity arose during this movement.

At 1538 hrs, team members advised the Susp was holding a female hostage at gunpoint and was moving to the front of the business towards the restrooms which were just inside the 4 Side doors. From my position at the Bearcat I was able to observe the Suspect holding a handgun to the back / head of a female employee. The Suspect was cognizant of the team's location at the Bearcat and held the hostage in front of him protecting himself. I observed the Suspect to be a Male Asian wearing no shirt with long hair. The two disappeared out of view towards the bathrooms. Sgt Nichols & I prepared the team for the possibility of a clear shot on the Suspect should he re-appear from the bathrooms. We designated Ofc's Griffin & Edgerton as lethal cover in addition to Ofc Green who remained high cover from atop the Bearcat. The Entry Team consisted of Ofc Walters, Ofc Blessing, Sgt Nichols, with Ofc Rosin as the breacher. Additional team members were directed to follow should the Entry Team enter.

At 1544 hrs the Suspect re-appeared with the hostage directing her in a similar fashion as his initial movement. The Snipers and perimeter officers fired and the Susp went down. The hostage fled out the 4 side door as the Entry Team entered. I followed the Entry Team. Ofc Walters and Sgt Nichols handcuffed the Suspect who had been hit by several rounds and was bleeding. I directed Ofc's Edgerton & Chandler (Team EMT's) to administer first aid to the Suspect and radio'ed for an Ambulance to the 4 Side doors for the Suspect. I directed additional Ofc's to clear the remainder of the location. A revolver style handgun was located with the Suspect by Ofc Walters. The hammer of the handgun was cocked. Ofc Walters & I attempted to render the weapon safe, however we were unable as it appeared the handgun was damaged. The handgun was left on the front counter of the business. SFD Ambulance personnel arrived and transported the Suspect to UCDMC for treatment. Patrol personnel were directed to accompany the Suspect.

I met with Patrol Sgt Freeman who was directed to have his team take over the crime scene. I informed him of the status of the Suspect's handgun inside the location. He posted his officers in various positions to protect the scene. I removed the SWAT Team members from the business.



# SACRAMENTO POLICE DEPARTMENT

## PUBLIC HARDCOPY

RELEASED PER PUBLIC RECORDS ACT REQUEST

GO# SA 2012-332558 CLEARED  
EXCEPTIONALLY

1315-19 245(A)(1)AWDW-NON-FIREARM

Follow Up Report # SA 46

I later assisted SPD Detectives with the weapons inspections of rifles fired by SWAT Team members. I was videotaped by Det Kirtlan as I unloaded, rendered them safe, and counted the remaining rounds. (See Supplement by Det Kirtlan)





# SACRAMENTO POLICE DEPARTMENT

## PUBLIC HARDCOPY

RELEASED PER PUBLIC RECORDS ACT REQUEST

GO# SA 2012-332558 CLEARED  
EXCEPTIONALLY

1315-19 245(A)(1)AWDW-NON-FIREARM

Follow Up Report # SA 47

## Follow Up Report # SA 47

### Assignment Information

Assigned to: **3481 - MCGOVERN, SHAUN 0892** Rank:

Capacity: **SUPPLEMENTAL ADD (NOT FOR DETECTIVE USE)** Org unit: **OOO PATROL DIST 3 MID (TEAM 15)**

Assigned on: **Dec-08-2012 (Sat.) 1854** by: **3481 - MCGOVERN, SHAUN 0892**

Report due on: **Dec-11-2012 (Tue.)**

### Submission Information

Submitted on: **Dec-08-2012 (Sat.) 2341**

Approved on: **Dec-09-2012 (Sun.)** by: **268 - ENRIQUEZ, F 3020 (████████)**

### Follow Up Conclusion

Follow Up concluded: **Yes**

---

### Narrative Text Report # 1

Document: **04 OBSERVATIONS**

Author: **3481 - MCGOVERN, SHAUN 0892**

Subject: **OBSERVATIONS OFC. MCGOVERN**

Related date/time: **Dec-08-2012 (Sat.) 1445**

---

On 12/08/12 at about 1445 hours, I (Ofc. McGovern #892) was dispatched to 8349 Folsom Blvd (Jack In the Box) to assist day shift units that were on-scene of a subject holding hostages inside the building.

I was directed by 2SM6 (Sgt. Freeman) to relieve 1B34 (Ofc. Webb) at the intersection of Notre Dame Dr/ Folsom Blvd. I arrived on-scene and took his spot. I assisted in scene containment/traffic control until relieved by 2C37 (Ofc. Mabunga #300 and Ofc. Morrison #404).

At about 2000 hours, I relieved 1C28 (Ofc. Elliot) for approximately 30 minutes in-order to give her a break while guarding the two rifles located to the south of 8349 Folsom Blvd.

I then relieved MRT64 (Ofc. Bell, J #886) and MTR 65 (Ofc. Duckham, J #878) at the intersection of Julliard Dr/Folsom Blvd.

At about 2200 hours, I was relieved by MTR 65 (Ofc. Duckham, J).

I conducted no further action on this call.



# SACRAMENTO POLICE DEPARTMENT

## PUBLIC HARDCOPY

RELEASED PER PUBLIC RECORDS ACT REQUEST

GO# SA 2012-332558 CLEARED  
EXCEPTIONALLY

1315-19 245(A)(1)AWDW-NON-FIREARM

Follow Up Report # SA 48

## Follow Up Report # SA 48

### Assignment Information

Assigned to: **699 - MULLIGAN, PATRICK 7760** Rank:

Capacity: **SUPPLEMENTAL ADD (NOT FOR DETECTIVE USE)** Org unit: **OOO PATROL DIST 6 DAY (TEAM 32)**

Assigned on: **Dec-08-2012 (Sat.) 1854** by: **699 - MULLIGAN, PATRICK 7760**

Report due on: **Dec-11-2012 (Tue.)**

### Submission Information

Submitted on: **Dec-08-2012 (Sat.) 1824**

Approved on: **Dec-09-2012 (Sun.)** by: **268 - ENRIQUEZ, F 3020 (████████)**

### Follow Up Conclusion

Follow Up concluded: **Yes**

---

### Narrative Text Report # 1

Document: **04 OBSERVATIONS**

Author: **699 - MULLIGAN, PATRICK 7760**

Subject: **OFFICER P. MULLIGAN #0221**

Related date/time: **Dec-08-2012 (Sat.) 1809**

On December 8, 2012, at about 1250 hours, I responded Code 3 from the Communications Center enroute to a robbery in progress at 8349 Folsom Blvd. (Jack in the Box). My digital ICC installed in Vehicle #11002C automatically activated. Information was broadcasted of possible multiple suspects and hostages as I neared the call. I arrived at about 1255 hours and placed my marked patrol car in a traffic control position. I then relocated on foot to meet up with my supervisor Sgt. FREEMAN.

I would eventually tape up everything on the East side of the Jack in the Box to keep crowds back and the media in proper position. I then placed my marked patrol car facing the SE corner of the Jack in the Box. This allowed me to record activity as the event progressed. During this taping I panned in and out, scanned and attempted to get a zoom view of the interior of the business. Due to window tinting I could not get a view of the inside of the Jack in the Box but was able to depict where inner perimeter units had placed themselves.

At about 1525 hours, I was relieved by Mid Watch Officer K. STREICH. I briefed her on what I had been recording and requested she take that recording duty over for me. I then cleared the scene and headed into 300



**SACRAMENTO POLICE DEPARTMENT**

**PUBLIC HARDCOPY**

**RELEASED PER PUBLIC RECORDS ACT REQUEST**

**GO# SA 2012-332558 CLEARED  
EXCEPTIONALLY**

**1315-19 245(A)(1)AWDW-NON-FIREARM**

**Follow Up Report # SA 48**

Richards to complete reports.



# SACRAMENTO POLICE DEPARTMENT

## PUBLIC HARDCOPY

RELEASED PER PUBLIC RECORDS ACT REQUEST

GO# SA 2012-332558 CLEARED  
EXCEPTIONALLY

1315-19 245(A)(1)AWDW-NON-FIREARM

Follow Up Report # SA 49

## Follow Up Report # SA 49

### Assignment Information

Assigned to: **38 - BAKER, MICHAEL 6511** Rank: **MEDIA PRODUCTION SPECIALIST I/II**  
Capacity: **FORENSIC VIDEO** Org unit: **OOI HIGH TECH COMPUTER TASK FORCE**  
Assigned on: **Dec-18-2012 (Tue.) 855** by: **38 - BAKER, MICHAEL 6511**  
Report due on: **Feb-21-2013 (Thu.)**

### Submission Information

Submitted on: **Feb-27-2013 (Wed.) 1709**  
Checked by: **2989 - MONK, DANIEL 5025**  
Approved on: **Mar-05-2013 (Tue.)** by: **2989 - MONK, DANIEL 5025**

### Follow Up Conclusion

Follow Up concluded: **Yes**

---

### Narrative Text Report # 1

Document: **05 SUPPLEMENT**  
Author: **38 - BAKER, MICHAEL 6511**  
Subject: **ATTEMPTED DVR DOWNLOAD**  
Related date/time: **Feb-27-2013 (Wed.)**

I am Mike Baker (VH-1), Media Production Specialist II, badge number 6511, employed with the Sacramento Police Department. I'm permanently assigned to the Electronic Crimes Unit (ECU), Forensic Video, in the Office of Investigations.

On 12/8/2012, at approximately 17:06 hrs, I was contacted by Det. Bryan Alonso, # 0803 who requested I respond to Jack in the Box, 8349 Folsom Blvd. to retrieve (download) Close Circuit Television (CCTV) video footage and images, and audio data from the CCTV system's hard drive (HDD) for an officer involved shooting (OIS) investigation, report number 12-332558. The requested time frame of interest was from approximately 12/8/2012 - 12:30 hrs, to 12/8/2012 - 16:00 hrs, SPD CAD time.

On 12/8/2012, at approximately 18:40 hrs, I arrived at Jack in the Box, 8349 Folsom Blvd. in Sacramento to retrieve Close Circuit Television (CCTV) video footage, images, and audio data from the CCTV system hard drive (HDD). Upon arrival, I made contacted with Det. John Fan, # 0815. The following are both my observations and actions over the course of this investigation:

When we were granted access to enter the crime scene, I was escorted by Det. Fan and we entered the area where the CCTV system was both houses and deployed. We could not access the equipment because nobody on scene had the user name or password to operate the CCTV equipment. We obtained the contact information the owner,



# SACRAMENTO POLICE DEPARTMENT

## PUBLIC HARDCOPY

### RELEASED PER PUBLIC RECORDS ACT REQUEST

GO# SA 2012-332558 CLEARED  
EXCEPTIONALLY

1315-19 245(A)(1)AWDW-NON-FIREARM

Follow Up Report # SA 49

██████████ and reached him by phone to get the username and password for the CCTV system. After successfully accessing the CCTV system I began to search for the incident.

I authenticated the CCTV system date and time stamp by comparing the difference between the current CCTV date and time stamp displayed on the CCTV monitor with the Sacramento Police Department, Computer Aided Dispatch time (SPD CAD time). SPD CAD time was documented as 12/8/2012 - 21:17 hours, while at the same time, the CCTV date and time stamp was displaying 12/8/2012 - 22:59:54 hours. The authenticated CCTV date and time stamp off set is approximately + 01:42:54 hours difference from SPD CAD time.

The camera system consists of 6 cameras out of a total capacity of 9 cameras. No microphone or audio of any kind was recorded on the CCTV system.

Though the DVR was functioning, my attempts to play back any relevant video data failed; no recent data was actively writing to the host DVR hard drive (HDD). My attempts to search, locate, and copy the relevant data yielded negative results. As I inputted the relevant date time range (12/8/2012 - 14:15 hrs), the DVR displayed the error message, at the conclusion of search and copy query:

"Copy Status: Copy Start Time: 2000/00/00 - 00:00:00 ; NO HDD",

I also noticed that the HDD drive LED light was not light. I then set and engaged the DVR to record and the LED light immediately. I then verified that the relevant was never written to the HDD by examining the HDD contents with the DVR's "Log Files List" utility. The list displayed the following:

#### LOG FILE SEARCH

- 2012/12/8 - 23:03:34 (Record Start)

The Log Files List is intended to indicate the approximate times that the DVR has created or was instructed to make a changed, start, or stop an activity or "event". The only event listed was the act of starting the DVR to record (by me), and as far as the DVR's clock was concerned, displayed the time in which I started the recording, at 23:03:34 hrs, CCTV time.

Over the phone I instructed and informed employee Mr. ██████████ not to change the newly established DVR's record settings and to notify this security company.

Both Det. Fan and I departed the CCTV room location at approximately 21:50 hrs.

Sgt. Stigerts was made aware of my findings and results.



**SACRAMENTO POLICE DEPARTMENT**

**PUBLIC HARDCOPY**

**RELEASED PER PUBLIC RECORDS ACT REQUEST**

GO# SA 2012-332558 CLEARED  
EXCEPTIONALLY

1315-19 245(A)(1)AWDW-NON-FIREARM

Follow Up Report # SA 50

**Follow Up Report # SA 50**

**Assignment Information**

Assigned to: 3534 - JOSEPH, TRACY 0361 Rank:

Capacity: SUPPLEMENTAL ADD (NOT FOR DETECTIVE USE) Org unit: OOI FORENSIC ID - CRIME

**SCENE INVESTIGATION**

Assigned on: Dec-09-2012 (Sun.) 2257 by: 3534 - JOSEPH, TRACY 0361

Report due on: Dec-20-2012 (Thu.)

**Submission Information**

Submitted on: Dec-09-2012 (Sun.) 1508

Approved on: Dec-18-2012 (Tue.) by: 268 - ENRIQUEZ, F 3020 ( )

**Follow Up Conclusion**

Follow Up concluded: Yes

**Narrative Text Report # 1**

Document: CSI REPORT

Author: 3534 - JOSEPH, TRACY 0361

Subject: PHOTOS

Related date/time: Dec-09-2012 (Sun.) 733

211 PC

300 Richards Blvd.

On 12-08-12 at approx 1822 hours, I, CSI23 #361 (T. Joseph), arrived at the above location for photos of the witnesses involved. Upon my arrival, I contacted Det. R. Guerra #252.

\*\*PHOTOGRAPHS\*\*

I took 80 photos of the following which were uploaded into the DCS system:

Overall appearance of the following witnesses:

[REDACTED]  
 [REDACTED]  
 [REDACTED]  
 [REDACTED]  
 [REDACTED]  
 [REDACTED]



**SACRAMENTO POLICE DEPARTMENT**

**PUBLIC HARDCOPY**

**RELEASED PER PUBLIC RECORDS ACT REQUEST**

**GO# SA 2012-332558 CLEARED  
EXCEPTIONALLY**

**1315-19 245(A)(1)AWDW-NON-FIREARM**

Follow Up Report # SA 50

██████████ had injuries to:

- left side of face
- right hand
- right wrist
- right arm

At approx 1913 hours, I arrived at 5770 Freeport Blvd. for the following photos:

Overall appearance of:

- Ofc. J. Lightfoot #560
- Ofc. A. Green #3060
- Ofc. A. Davis #853
- Ofc. R. Villegas #618

At approx 2030 hours, I arrived at 300 Richards Blvd. for the following photos:

Overall appearance of:

- Ofc. K. Griffin #406
  - Ofc. T. Edgerton #826
- Apparent blood on both of Edgerton's shoes

I cleared the call at approx 2050 hours.



# SACRAMENTO POLICE DEPARTMENT

## PUBLIC HARDCOPY

RELEASED PER PUBLIC RECORDS ACT REQUEST

GO# SA 2012-332558 CLEARED  
EXCEPTIONALLY

1315-19 245(A)(1)AWDW-NON-FIREARM

Follow Up Report # SA 51

## Follow Up Report # SA 51

### Assignment Information

Assigned to: **483 - JOY, DENNIS 5005** Rank:

Capacity: **SUPPLEMENTAL ADD (NOT FOR DETECTIVE USE)** Org unit: **OOO PATROL DIST 2**

### ADMINISTRATION

Assigned on: **Dec-16-2012 (Sun.) 2257** by: **483 - JOY, DENNIS 5005**

Report due on: **Dec-20-2012 (Thu.)**

### Submission Information

Submitted on: **Dec-16-2012 (Sun.) 2245**

Approved on: **Dec-17-2012 (Mon.)** by: **268 - ENRIQUEZ, F 3020 ( )**

### Follow Up Conclusion

Follow Up concluded: **Yes**

---

### Narrative Text Report # 1

Document: **04 OBSERVATIONS**

Author: **483 - JOY, DENNIS 5005**

Related date/time: **Dec-12-2012 (Wed.) 2238**

On 12/08/2012, at approx. 1232 hours, I (Lt. Dennis Joy #4063) was working as the Watch Commander on day shift. SPD Communications received several 911 calls regarding an armed robbery in progress at the Jack in the Box restaurant at 8349 Folsom Blvd. 911 calls continued to come into SPD and CHP. The callers relayed information as follows:

" The suspect had fired the gun at least two times inside the business but the gun had malfunctioned and failed to fire.

" The suspect had placed the gun into one of the employee's mouths.

" A woman reported she was calling from inside the business saying "please don't come here ?please don't come here".

" The suspect was still inside and had the doors closed with wires.

" A woman was calling and saying "I need help and I am on Folsom Blvd in Sacramento..in the Jack in the Box".

It became evident that we had at least one armed suspect inside the business who was holding at least one and possibly more people hostage. Based on the initial information being received I immediately initiated a SWAT and HNT callout. I arrived in the area at approximately 1246 hours. I decided to set up the Command Post to the rear of the Raley's Shopping Center at 8391 Folsom Blvd.





# SACRAMENTO POLICE DEPARTMENT

## PUBLIC HARDCOPY

### RELEASED PER PUBLIC RECORDS ACT REQUEST

GO# SA 2012-332558 CLEARED  
EXCEPTIONALLY

1315-19 245(A)(1)AWDW-NON-FIREARM

Follow Up Report # SA 51

I assigned Sgt. Lommori to the inner perimeter and instructed him to form a contact team. I assigned Sgt. Freeman to handle scene security and the traffic control plan which included shutting down Folsom Blvd in both directions to vehicular and pedestrian traffic. I assigned Sgt. Poroli to coordinate the identification and debriefing of victims and witnesses. I requested SFD stage personnel nearby to render emergency medical aid should it become necessary.

Officers managed to locate three employees as well as a family of four that had been inside the restaurant at the time the robbery began. I personally spoke with [REDACTED], who was the father of the family. [REDACTED] told me the suspect entered the lobby with a handgun and walked over to their table. The suspect grabbed his eleven year old daughter's pony tail and waved the gun around directly over her head. Preliminary statements from these individuals helped us determine we most likely had one armed suspect and two female employees still inside the business. The armed gunman was later identified as Xang Khang DOB:04/13/1986. The two female employees being held hostage were later identified as [REDACTED] and [REDACTED]. SWAT and HNT arrived. SWAT officers immediately deployed to the inner perimeter while the SWAT Commander (Lt. Watson), HNT Commander (Lt. Sweeney) and I began working together at the CP.

At 1350 hours I discussed my initial reactive authority for the SWAT officers with Lt. Watson. I told Watson if Khang exited the business with a hostage and armed but the gun was not pointed at the victim, lethal force was authorized. I told Watson if the Khang exited the building with a hostage but no gun was visible, lethal force was authorized. I further instructed Watson if the Khang exited the business unarmed without a hostage, overwhelming less lethal force was authorized. I based this direction on the above specifics and fact that the Khang was still armed with hostages.

At 1359 hours, officers were able to establish contact with [REDACTED] inside the business via her cell phone. [REDACTED] told officers she had been tied up and for the police "not to come into the building". Over the open line officers could hear Khang saying he would shoot [REDACTED] if the police entered the building. Additionally, [REDACTED] could be heard saying Khang had a gun to her head.

At 1405 hours, Watson and I discussed what SWAT's response should be if shots were heard from inside the business. I told Watson if shots were heard being fired inside the building the SWAT contact team was to enter the business, locate and if necessary, engage Khang.



# SACRAMENTO POLICE DEPARTMENT

## PUBLIC HARDCOPY

### RELEASED PER PUBLIC RECORDS ACT REQUEST

GO# SA 2012-332558 CLEARED  
EXCEPTIONALLY

1315-19 245(A)(1)AWDW-NON-FIREARM

Follow Up Report # SA 51

At 1412 hours, SWAT Sgt. Nichols asked Watson for reactive authority if Khang was observed through the window of the business. There were also concerns being raised regarding Khang gaining access to the roof of the business. I considered the questions being asked of me and totality of the circumstances. I authorized the use of deadly force on Khang. I based this decision on Khang's actions and his ongoing threat to the hostages during the course of the event. Khang had demonstrated a wanton and willful disregard for the lives of others by entering a restaurant occupied by several people during the middle of the day on a Saturday and threatening a family of four with a handgun. Khang had reportedly placed a handgun in the mouth of one of the hostages. Khang had attempted to fire the gun at least twice inside the business. Khang had threatened to shoot a hostage. Khang had been presented with the opportunity to flee prior to police arrival and chose not to do so. This led me to believe something more egregious than robbery might be his motive. I considered all the information I had received up to this point and it was obvious to me the remaining hostages lives were in imminent jeopardy. I gave Watson the direction to instruct the SWAT officers that lethal force was authorized if Khang was observed inside the business, could be positively identified as the suspect and a clear shot could be taken. I gave this same order if Khang was observed on the roof and could be identified as the suspect.

At 1426 hours, SWAT Sgt. Nichols asked Watson if the SWAT officer had the opportunity to take a shot at Khang while he is still inside the business what course of action should follow. I told Watson if a sniper shot was taken the SWAT contact team would enter the building to rescue the hostages and engage Khang if he remained a threat.

Lieutenants' Sweeney, Watson and I began discussing the possibility Khang might exit the building without a hostage. I was asked what my order was if Khang exited and fled on foot or attempted to re-enter the business. Khang had already demonstrated he was a significant threat to the lives of citizens and officers. I felt if Khang were allowed to flee on foot and somehow managed to evade officers, he would put the citizens in the crowded shopping center and surrounding neighborhoods in grave danger. I also felt that allowing Khang to re-enter the building was not an option, based on his prior actions and knowledge there were still hostages inside the business. I authorized the use of lethal force if Khang exited unarmed or armed and attempted to flee on foot. I authorized the use of lethal force if Khang exited the business armed or unarmed, refused to surrender, and attempted to re-enter the building.

At 1442 hours, [REDACTED] fled from the building. [REDACTED] was brought to the CP and debriefed by HNT. Based on the information obtained from



# SACRAMENTO POLICE DEPARTMENT

## PUBLIC HARDCOPY

### RELEASED PER PUBLIC RECORDS ACT REQUEST

GO# SA 2012-332558 CLEARED  
EXCEPTIONALLY

1315-19 245(A)(1)AWDW-NON-FIREARM

Follow Up Report # SA 51

██████████, I believed there was at least one hostage still being held captive in the building by Khang. Information was given to SWAT officer via radio indicating the remaining hostage, ██████████, was dressed in a green Jack in the Box uniform shirt. HNT still had an open cell phone line with ██████████ who was telling HNT that Khang indicated he had to go to the bathroom. ██████████ asked if she should try to run from the business if the opportunity presented itself. I advised HNT to tell ██████████ yes.

At 1539 hours, SWAT officers advised they could see Khang walking ██████████ through the interior of the building and Khang was armed with a handgun. SWAT officers then advised Khang and ██████████ appeared to have gone into the bathroom and out of sight. The suspect description was updated by the SWAT officers that observed Khang as being a male Asian with long hair wearing no shirt.

At 1544 hours, SWAT officers advised shots had been fired and Khang was down. ██████████ was safely secured and removed from the building. SFD Medics were called in to render aid to Khang. SWAT officers cleared the interior of the building and confirmed no other hostages or suspects were inside. Khang was transported to UCDMC by SFD. Patrol officers were assigned to accompany the suspect to the hospital. I called the communications center and initiated the officer involved shooting protocol. I ensured the SWAT officers involved in the incident were removed from the immediate scene after it was secure. At approx. 1700 hours, I received a phone call from the officers at the hospital reporting the suspect had been declared deceased.

I directed the movement of the CP closer to the crime scene for easier coordination with responding investigators. I ensured scene security, transportation of witnesses and victims to HOJ for interviews and checked on the welfare of the officers involved in the incident. I instructed all officers on the call to complete observations regarding their involvement. At 1737 hours, I conducted an Officer Involved Shooting briefing for the assembled investigators.



# SACRAMENTO POLICE DEPARTMENT

## PUBLIC HARDCOPY

RELEASED PER PUBLIC RECORDS ACT REQUEST

GO# SA 2012-332558 CLEARED  
EXCEPTIONALLY

1315-19 245(A)(1)AWDW-NON-FIREARM

Follow Up Report # SA 52

## Follow Up Report # SA 52

### Assignment Information

Assigned to: **3635 - CRUZ, MICAELA 0278** Rank:

Capacity: **SUPPLEMENTAL ADD (NOT FOR DETECTIVE USE)** Org unit: **OOI FORENSIC ID - CRIME**

### SCENE INVESTIGATION

Assigned on: **Dec-09-2012 (Sun.) 2257** by: **3635 - CRUZ, MICAELA 0278**

Report due on: **Dec-20-2012 (Thu.)**

### Submission Information

Submitted on: **Dec-15-2012 (Sat.) 1510**

Approved on: **Dec-18-2012 (Tue.)** by: **268 - ENRIQUEZ, F 3020 (████████)**

### Follow Up Conclusion

Follow Up concluded: **Yes**

---

### Narrative Text Report # 1

Document: **CSI REPORT**

Author: **3635 - CRUZ, MICAELA 0278**

Subject: **CSI EVIDENCE COLLECTION**

Related date/time: **Dec-09-2012 (Sun.) 232**

On 12/8/12 at approx. 1657 hrs I (Ofc. Cruz #0278) was dispatched to 8349 Folsom Blvd (Jack-In-The-Box) regarding an officer involved shooting that had occurred. I arrived on scene at approx. 1744 hrs. CSI35 (Ofc. Deardorff #570) and CSI23 (Ofc. Joseph #361) were already on scene upon my arrival.

#### Evidence Booked

I collected, packaged, transported and booked the following items into the evidence and property section of the Sacramento Police Department:

Item #1 Flashbang spoon located on north side of 8349 Folsom Blvd east of trash bin corral

Item #2 Flashbang spoon located on north side of 8349 Folsom Blvd just east of south east trash bin corral post

Item #3 Flashbang (serial #E299293) located on north side of 8349 Folsom Blvd just north of ramp



# SACRAMENTO POLICE DEPARTMENT

## PUBLIC HARDCOPY

### RELEASED PER PUBLIC RECORDS ACT REQUEST

GO# SA 2012-332558 CLEARED  
EXCEPTIONALLY

1315-19 245(A)(1)AWDW-NON-FIREARM

Follow Up Report # SA 52

Item #4 Flashbang (serial #E299277) located on north side of 8349 Folsom Blvd west end of ramp

Item #5 Flashbang pin located on east side of 8349 Folsom Blvd north of ramp

Item #6 One (1) fired casing, Winchester brand, 223 REM caliber, located just east of driver's side rear tire of Bearcat (SWAT vehicle)

Item #7 One (1) fired casing, Winchester brand, 223 REM caliber, located just east of driver's side front tire of Bearcat (SWAT vehicle)

Item #8 One (1) fired casing, Hornady brand, 308 MATCH brand located on top of hood of Bearcat (SWAT vehicle) just forward of front windshield area

Item #9 One (1) fired casing, Winchester brand, 223 REM caliber, located on Folsom Blvd westbound in the #2 lane just west of 8349 Folsom Blvd

Item #10 One (1) fired casing, Hornady brand, 308 MATCH brand located at 8354 Folsom Blvd (tire storage lot) south of 8349 Folsom Blvd

Item #11 One (1) fired casing, Hornady brand, 308 WIN MATCH brand located at 8354 Folsom Blvd (tire storage lot) south of 8349 Folsom Blvd

Item #12 One (1) live round, Hornady brand, 308 WIN MATCH brand located at 8354 Folsom Blvd (tire storage lot) south of 8349 Folsom Blvd

Item #13 A/C adaptor with wire from interior door handle of electrical closet door of 8349 Folsom Blvd

Item #14 Apparent burnt material located on floor of electrical closet of 8349 Folsom Blvd

Item #15 Apparent burnt material located on floor of electrical closet of 8349 Folsom Blvd

Item #16 Apparent broken glass located on floor of electrical



# SACRAMENTO POLICE DEPARTMENT

## PUBLIC HARDCOPY

### RELEASED PER PUBLIC RECORDS ACT REQUEST

GO# SA 2012-332558 CLEARED  
EXCEPTIONALLY

1315-19 245(A)(1)AWDW-NON-FIREARM

Follow Up Report # SA 52

closet of 8349 Folsom Blvd

Item #17 Long sleeve shirt, black and purple in color, Nonat brand, size XL, burned left sleeve, located on floor of electrical closet of 8349 Folsom Blvd

Item #18 Two (2) lighters, Bic brand, yellow in color located on floor of electrical closet of 8349 Folsom Blvd

Item #19 Flashlight, black in color, located on floor of electrical closet of 8349 Folsom Blvd

Item #20 Short sleeve button up shirt with Jack-In-The-Box logo, green in color, size S, Jack-In-The-Box brand collected from [REDACTED] by Det. Richardson

Item #21 Apron, black in color, collected from [REDACTED] by Det. Richardson

Item #22 Pants, black in color, Dickies brand, size 9, collected from [REDACTED] by Det. Richardson

Item #23 One (1) pair tennis shoes, black in color, Shoes For Crew brand, size 8.5, collected from [REDACTED] by Det. Richardson

Item #24 Shorts, Dickies brand, size 33

Item #25 One (1) pair socks, (black and red in color), USA brand

Item #26 Athletic shorts, blue and red in color, unknown brand and size

Item #27 Tennis shoes, Converse brand, black and white in color, size 7.5

On 12/8/12 at approx. 1930 hrs I collected items #24-27 from Sgt. Stigerts at 8349 Folsom Blvd.

On 12/9/12 at approx. 0025 hrs I collected items #20-23 from Det. Richardson at 555 Sequoia Pacific.

I cleared the scene at approx. 2359 hrs.



**SACRAMENTO POLICE DEPARTMENT**

**PUBLIC HARDCOPY**

**RELEASED PER PUBLIC RECORDS ACT REQUEST**

**GO# SA 2012-332558 CLEARED  
EXCEPTIONALLY**

**1315-19 245(A)(1)AWDW-NON-FIREARM**

Follow Up Report # SA 52



# SACRAMENTO POLICE DEPARTMENT

## PUBLIC HARDCOPY

RELEASED PER PUBLIC RECORDS ACT REQUEST

GO# SA 2012-332558 CLEARED  
EXCEPTIONALLY

1315-19 245(A)(1)AWDW-NON-FIREARM

Follow Up Report # SA 53

## Follow Up Report # SA 53

### Assignment Information

Assigned to: **3858 - DEARDORFF, JONTHOMAS 0570** Rank:

Capacity: **SUPPLEMENTAL ADD (NOT FOR DETECTIVE USE)** Org unit: **OOI FORENSIC ID - CRIME**

### SCENE INVESTIGATION

Assigned on: **Dec-09-2012 (Sun.) 2257** by: **3858 - DEARDORFF, JONTHOMAS 0570**

Report due on: **Dec-20-2012 (Thu.)**

### Submission Information

Submitted on: **Dec-14-2012 (Fri.) 1539**

Approved on: **Dec-15-2012 (Sat.)** by: **886 - SCHIELE, ANTHONY 6369**

### Follow Up Conclusion

Follow Up concluded: **Yes**

---

### Narrative Text Report # 1

Document: **CSI REPORT**

Author: **3858 - DEARDORFF, JONTHOMAS 0570**

Subject: **PHOTOS**

Related date/time: **Dec-09-2012 (Sun.) 158**

On Saturday, 12/8/12, at approx 1435 hrs, I, Ofc. Deardorff #570 (as CSI35) was dispatched to 8349 Folsom Blvd (Jack in the Box) regarding a hostage standoff. I responded from 300 Richards Blvd, and I arrived on-scene at approx 1445 hrs, and contacted the Incident Commander, LT Joy #4063 (LN26), upon arrival.

### PHOTOGRAPHS

I took seven hundred and thirty eight (738) photographs of the following:

- Sketch drawn on whiteboard at Incident Command Post
- Location of Ofc. Lightfoot (UNN24) and Ofc. Villegas (UNN33) south, across Folsom Blvd, from south window shattered by gunfire
- South window shattered by gunfire
- View of south window from location of Ofc. Lightfoot (UNN24) and Ofc. Villegas (UNN33)
- General area where Ofc. Lightfoot (UNN24) and Ofc. Villegas (UNN33) were located
- Location of rifles where Ofc. Lightfoot (UNN24) and Ofc. Villegas (UNN33) were posted





# SACRAMENTO POLICE DEPARTMENT

## PUBLIC HARDCOPY

### RELEASED PER PUBLIC RECORDS ACT REQUEST

GO# SA 2012-332558 CLEARED  
EXCEPTIONALLY

1315-19 245(A)(1)AWDW-NON-FIREARM

Follow Up Report # SA 53

- View of middle window on west face of 8349 Folsom Blvd from Ofc. Davis' (UNN15) firing position
- General overall scene, exterior of 8349 Folsom Blvd
- View of east entry/exit door from vantage of Ofc. Griffin (UNN12) at hood of bearcat SWAT vehicle
- View of east entry exit door from vantage of Ofc. Edgerton (UNN14) at hood of bearcat SWAT vehicle
- View of front of bearcat from east entry/exit door
- View of west side of building and west window set from vantage of Ofc. Davis (UNN15)
- Damage to middle west window
- Location of Ofc. Davis' firing position, seen from west window set
- Damage to southeast window on south face of building
- Damage to east entry/exit door glass
- View of east entry/exit door from vantage of turret atop SWAT bearcat vehicle
- View of turret atop SWAT bearcat vehicle form east entry/exit door
- Sgt. Green (UNN31) overall appearance
- Sgt. Green's location from view of east entry/exit door
- Ofc. Griffin (UNN12) overall appearance
- Ofc. Edgerton (UNN14) overall appearance
- Ofc. Griffin's and Ofc. Edgerton's location from view of east entry/exit door
- Ofc. Davis (UNN15) overall appearance
- Ofc. Davis from view of west window set
- Ofc. Lightfoot (UNN24) overall appearance
- Ofc. Villegas (UNN33) overall appearance
- Ofc. Lightfoot and Ofc. Villegas location from view of south window set
- Hole cut in chain link fence along north property line of 8354 Folsom Blvd
- Location of gun atop SWAT bearcat vehicle
- Location of gun at hood of SWAT bearcat vehicle
- Overall location of items of evidence #1-12
- Items of evidence:
  - #1 Flashbang spoon
  - #2 Flashbang spoon
  - #3 Flashbang S/N E299293
  - #4 Flashbang S/N E299277
  - #5 Flashbang pin
  - #6 Fired casing, Winchester 223 REM
  - #7 Fired casing, Winchester 223 REM
  - #8 Fired casing, Hornady 308 MATCH
  - #9 Fired casing, Winchester 223 REM
  - #10 Fired casing, Hornady 308 MATCH



# SACRAMENTO POLICE DEPARTMENT

## PUBLIC HARDCOPY

### RELEASED PER PUBLIC RECORDS ACT REQUEST

GO# SA 2012-332558 CLEARED  
EXCEPTIONALLY

1315-19 245(A)(1)AWDW-NON-FIREARM

Follow Up Report # SA 53

- #11 Fired casing, Hornady 308 WIN MATCH
- #12 Live round, Hornady 308 WIN MATCH
- Overall location of Total Station setup on Folsom Blvd
- Overall interior of 8349 Folsom Blvd
- Overall interior of small, approx 6'7"x7'11" electrical closet in northeast corner of 8349 Folsom Blvd
- Damage to east entry/exit door glass and frame
- Items of evidence in northeast electrical room in 8349 Folsom Blvd:
  - #13 A/C adapter with wire
  - #14 Apparent burnt material
  - #15 Apparent burnt material
  - #16 Apparent broken glass, possibly from methamphetamine smoking pipe
  - #17 Black/purple striped shirt from suspect, NONAT brand, size XL
  - #18 Two (2) yellow Bic lighters
  - #19 Black flashlight
- Overall interior of small office in 8349 Folsom Blvd
- Rear (north) door of 8349 Folsom Blvd, with small, approx 2"x2" SacPD temporary tattoo placed over peephole in door

I accepted custody of a spent flashbang, S/N E299281, from Ofc. Blessing #266 (UNN22). I packaged, transported, and booked the spent flashbang into Evidence at the Evidence and Property Section of the Sacramento Police Department at approx 0115 hrs into locker #120.

I uploaded the aforementioned photographs to the Digital Crime Scene (DCS) System.

I cleared the call at approx 0245 hrs.



# SACRAMENTO POLICE DEPARTMENT

## PUBLIC HARDCOPY

RELEASED PER PUBLIC RECORDS ACT REQUEST

GO# SA 2012-332558 CLEARED  
EXCEPTIONALLY

1315-19 245(A)(1)AWDW-NON-FIREARM

Follow Up Report # SA 54

## Follow Up Report # SA 54

### Assignment Information

Assigned to: **3210 - CARR, JEFFREY 0205** Rank:

Capacity: **SUPPLEMENTAL ADD (NOT FOR DETECTIVE USE)** Org unit: **OOI FORENSIC ID - CRIME**

### SCENE INVESTIGATION

Assigned on: **Dec-09-2012 (Sun.) 2258** by: **3210 - CARR, JEFFREY 0205**

Report due on: **Dec-20-2012 (Thu.)**

### Submission Information

Submitted on: **Dec-11-2012 (Tue.) 1459**

Approved on: **Dec-12-2012 (Wed.)** by: **463 - JASPERSON, KYLE 0440 ( )**

### Follow Up Conclusion

Follow Up concluded: **Yes**

---

### Narrative Text Report # 1

Document: **CSI REPORT**

Author: **3210 - CARR, JEFFREY 0205**

Subject: **DIAGRAM/CARR #205**

Related date/time: **Dec-08-2012 (Sat.) 1855**

On 12/8/12 at 1855 hours, I, Officer Carr #205 (CSI 31) arrived at 8349 Folsom Blvd (Jack-in-the-box) regarding an officer involved shooting. Forensic investigator K. Boyd #6378 was my contact on scene. Detective Sgt Stigerts was on scene.

Officers Deardorff #570 and Cruz #278 were also on scene.

#### Diagram Measuring

Using the total station system, I collected measurements to later create a diagram of the exterior scene. Sacramento Crime lab personnel responded and will create a diagram of the interior to Jack in the Box.

#### Photographs

I took three (3) photographs showing the second location of the total station system. I later uploaded the photographs into the DCS system.

I cleared the call at 0157 hours.



# SACRAMENTO POLICE DEPARTMENT

## PUBLIC HARDCOPY

RELEASED PER PUBLIC RECORDS ACT REQUEST

GO# SA 2012-332558 CLEARED  
EXCEPTIONALLY

1315-19 245(A)(1)AWDW-NON-FIREARM

Follow Up Report # SA 55

## Follow Up Report # SA 55

### Assignment Information

Assigned to: **3858 - DEARDORFF, JONTHOMAS 0570** Rank:

Capacity: **SUPPLEMENTAL ADD (NOT FOR DETECTIVE USE)** Org unit: **OOI FORENSIC ID - CRIME**

### **SCENE INVESTIGATION**

Assigned on: **Dec-10-2012 (Mon.) 2258** by: **3858 - DEARDORFF, JONTHOMAS 0570**

Report due on: **Dec-20-2012 (Thu.)**

### Submission Information

Submitted on: **Dec-10-2012 (Mon.) 1555**

Approved on: **Dec-12-2012 (Wed.)** by: **886 - SCHIELE, ANTHONY 6369**

### **Follow Up Conclusion**

Follow Up concluded: **Yes**

---

### Narrative Text Report # 1

Document: **CSI REPORT**

Author: **3858 - DEARDORFF, JONTHOMAS 0570**

Subject: **EVIDENCE**

Related date/time: **Dec-10-2012 (Mon.) 1550**

---

On Monday, 12/10/12, at approx 1508 hrs, I responded to 555 Sequoia Pacific Blvd regarding clothing booked into the drying lockers. I transferred item #24, #25, #26, and #27 from the drying locker to locker #129 at approx 1540 hrs. I also booked the drying locker filter and butcher paper into evidence, locker #130 ,at approx 1545 hrs.

I cleared the call at approx 1600 hrs.



# SACRAMENTO POLICE DEPARTMENT

## PUBLIC HARDCOPY

RELEASED PER PUBLIC RECORDS ACT REQUEST

GO# SA 2012-332558 CLEARED  
EXCEPTIONALLY

1315-19 245(A)(1)AWDW-NON-FIREARM

Follow Up Report # SA 56

## Follow Up Report # SA 56

### Assignment Information

Assigned to: **3128 - DUCKHAM, NATALIE 0830** Rank:

Capacity: **SUPPLEMENTAL ADD (NOT FOR DETECTIVE USE)** Org unit: **OOO PATROL DIST 1 DAY (TEAM 2)**

Assigned on: **Dec-23-2012 (Sun.) 1835** by: **3128 - DUCKHAM, NATALIE 0830**

Report due on: **Dec-24-2012 (Mon.)**

### Submission Information

Submitted on: **Dec-24-2012 (Mon.) 421**

Approved on: **Dec-24-2012 (Mon.)** by: **2392 - FARNSWORTH, DANIEL 3002 ( )**

### Follow Up Conclusion

Follow Up concluded: **Yes**

---

### Narrative Text Report # 1

Document: **04 OBSERVATIONS**

Author: **3128 - DUCKHAM, NATALIE 0830**

Subject: **DUCKHAM #830**

Related date/time: **Dec-23-2012 (Sun.)**

On 12-09-12 at approximately 1236 hrs I, Ofc Duckham #830, responded to Jack in the Box located at 8349 Folsom Blvd regarding a possible robbery in progress with the suspect taking hostages. I arrived on scene at approximately 1248 hrs.

Upon my arrival I contacted Sgt Freeman and advised him that I was on scene. I responded to the CPT set up behind Raley's supermarket and contacted Sgt Voska who was arriving on scene.

Sgt Voska advised me that I was going to be the primary negotiator and to attempt to get contact numbers for inside the business. I began gathering intel and collecting information.

Additional HNT team members arrived on scene. Ofc Hughes obtained a location (house) to set up our equipment. Ofc Hughes was designated my secondary negotiator.

We attempted to call into JIB (Jack in the Box) but it was busy. We obtained the cellular phone number for one of the hostages. We called in on her cellular phone and she did not answer. We hung up. We were going to try



# SACRAMENTO POLICE DEPARTMENT

## PUBLIC HARDCOPY

### RELEASED PER PUBLIC RECORDS ACT REQUEST

GO# SA 2012-332558 CLEARED  
EXCEPTIONALLY

1315-19 245(A)(1)AWDW-NON-FIREARM

Follow Up Report # SA 56

and again and our phone rang, she was calling us back.

I asked to speak with the male subject and she passed the phone to him. I carried on conversations with both the female (████) and male (Xiong - unk spelling) subject for approximately 40-45 mins. During our conversation, the phone would be passed back and forth between the both of them. I was in talks with them until the conversation was terminated when SWAT took over.

Our conversation was recorded on our 836 system.



# SACRAMENTO POLICE DEPARTMENT

## PUBLIC HARDCOPY

RELEASED PER PUBLIC RECORDS ACT REQUEST

GO# SA 2012-332558 CLEARED  
EXCEPTIONALLY

1315-19 245(A)(1)AWDW-NON-FIREARM

Follow Up Report # SA 57

## Follow Up Report # SA 57

### Assignment Information

Assigned to: **869 - TEURN, LO 0403** Rank:

Capacity: **SUPPLEMENTAL ADD (NOT FOR DETECTIVE USE)** Org unit: **OOO PATROL DIST 6 MID (TEAM 35)**

Assigned on: **Dec-08-2012 (Sat.) 346** by: **869 - TEURN, LO 0403**

Report due on: **Jan-06-2013 (Sun.)**

### Submission Information

Submitted on: **Dec-26-2012 (Wed.) 2121**

Approved on: **Dec-26-2012 (Wed.)** by: **169 - CHAPMAN, MARK 7612**

### Follow Up Conclusion

Follow Up concluded: **Yes**

---

### Narrative Text Report # 1

Document: **04 OBSERVATIONS**

Author: **869 - TEURN, LO 0403**

Subject: **OFC. TEURN**

Related date/time: **Dec-08-2012 (Sat.) 1709**

---

On Saturday, 12/8/12, at approximately 1512 hours, I arrived at Folsom Blvd/Notre Dame Dr to relieve day shift officers on perimeter locations.

I took the west end of the perimeter at Notre Dame, just north of Folsom Blvd. I blocked the driveway that led into the the shopping center.



# SACRAMENTO POLICE DEPARTMENT

## PUBLIC HARDCOPY

RELEASED PER PUBLIC RECORDS ACT REQUEST

GO# SA 2012-332558 CLEARED  
EXCEPTIONALLY

1315-19 245(A)(1)AWDW-NON-FIREARM

Follow Up Report # SA 58

## Follow Up Report # SA 58

### Assignment Information

Assigned to: **3866 - STREICH, KELLI 0247** Rank:

Capacity: **SUPPLEMENTAL ADD (NOT FOR DETECTIVE USE)** Org unit: **OOO PATROL DIST 6 MID (TEAM 35)**

Assigned on: **Jan-13-2013 (Sun.) 34** by: **3866 - STREICH, KELLI 0247**

Report due on: **Jan-15-2013 (Tue.)**

### Submission Information

Submitted on: **Jan-13-2013 (Sun.) 2120**

Approved on: **Jan-13-2013 (Sun.)** by: **955 - STINSON, CYNTHIA 4109**

### Follow Up Conclusion

Follow Up concluded: **Yes**

---

### Narrative Text Report # 1

Document: **02 WITNESS STATEMENT**

Author: **3866 - STREICH, KELLI 0247**

Subject: **[REDACTED]**

Related date/time: **Jan-13-2013 (Sun.) 1908**

On 12-08-12 at approx 1800 hrs, I, Officer Streich #247, spoke to W-[REDACTED] at Umeko Buffet. She told me the following in summary:

I work here at this restaurant. An officer came inside the business a few hours ago and told us to stay away from the west side of the building. So we have been on the opposite side and have not been able to see anything.





**SACRAMENTO POLICE DEPARTMENT**

**PUBLIC HARDCOPY**

**RELEASED PER PUBLIC RECORDS ACT REQUEST**

GO# SA 2012-332558 CLEARED  
EXCEPTIONALLY

1315-19 245(A)(1)AWDW-NON-FIREARM

Follow Up Report # SA 58

**Narrative Text Report # 2**

Document: **02 WITNESS STATEMENT**

Author: **3866 - STREICH, KELLI 0247**

Subject: [REDACTED]

Related date/time: **Jan-13-2013 (Sun.) 1913**

---

On 12-08-12 at approx 1805 hrs, I, Officer Streich #247, spoke to W-[REDACTED] at Umeko Buffet. He told me the following in summary:

I did not see anything that happened because we were told by an officer to move to the other side of the restaurant.



**SACRAMENTO POLICE DEPARTMENT**

**PUBLIC HARDCOPY**

**RELEASED PER PUBLIC RECORDS ACT REQUEST**

**GO# SA 2012-332558 CLEARED  
EXCEPTIONALLY**

**1315-19 245(A)(1)AWDW-NON-FIREARM**

Follow Up Report # SA 58

**Narrative Text Report # 3**

Document: **02 WITNESS STATEMENT**

Author: **3866 - STREICH, KELLI 0247**

Subject: [REDACTED]

Related date/time: **Jan-13-2013 (Sun.) 1914**

---

On 12-08-12 at approx 1810 hrs, I, Officer Streich #247, spoke to W-[REDACTED] at Umeko Buffet. He told me the following in summary:

An officer came inside the business a few hours ago and told us to stay away from the west side of the building. I did not see what happened.



**SACRAMENTO POLICE DEPARTMENT**

**PUBLIC HARDCOPY**

**RELEASED PER PUBLIC RECORDS ACT REQUEST**

GO# SA 2012-332558 CLEARED  
EXCEPTIONALLY

1315-19 245(A)(1)AWDW-NON-FIREARM

Follow Up Report # SA 58

**Narrative Text Report # 4**

Document: **02 WITNESS STATEMENT**

Author: **3866 - STREICH, KELLI 0247**

Subject: [REDACTED]

Related date/time: **Jan-13-2013 (Sun.) 1915**

---

On 12-08-12 at approx 1815 hrs, I, Officer Streich #247, spoke to W-[REDACTED] at Umeko Buffet. He told me the following in summary:

I did not see what happened next door. We were told by an officer to stay away from the windows and go to the other side.



# SACRAMENTO POLICE DEPARTMENT

## PUBLIC HARDCOPY

RELEASED PER PUBLIC RECORDS ACT REQUEST

GO# SA 2012-332558 CLEARED  
EXCEPTIONALLY

1315-19 245(A)(1)AWDW-NON-FIREARM

Follow Up Report # SA 59

## Follow Up Report # SA 59

### Assignment Information

Assigned to: **3991 - DAVIS, RYAN G. 0896** Rank:

Capacity: **SUPPLEMENTAL ADD (NOT FOR DETECTIVE USE)** Org unit: **OOO PATROL DIST 6 LATE (TEAM 37)**

Assigned on: **Jan-12-2013 (Sat.) 37** by: **3991 - DAVIS, RYAN G. 0896**

Report due on: **Jan-15-2013 (Tue.)**

### Submission Information

Submitted on: **Jan-13-2013 (Sun.) 1**

Approved on: **Jan-13-2013 (Sun.)** by: **242 - DOBSON, JOSHUA A 4111**

### Follow Up Conclusion

Follow Up concluded: **Yes**

---

### Narrative Text Report # 1

Document: **04 OBSERVATIONS**

Author: **3991 - DAVIS, RYAN G. 0896**

Subject: **DAVIS 896**

Related date/time: **Dec-08-2012 (Sat.) 2348**

---

On 12/08/2012 at approximately 2348 hours, I, Officer Davis (# 896), was dispatched to 8349 Folsom Blvd (Jack N' the Box) to relieve Officer Streich (# 247) from her position on the perimeter of the crime scene. I arrived on scene at approximately 0000 hours on 12/09/2012.

I contacted Officer Streich and she informed me to maintain her spot just East of 8349 Folsom Blvd while Detectives and CSI finished processing the scene. I remained on that perimeter spot until the crime scene was broken down and returned to the owner. The owner of the Jack N' the Box arrived and asked me to remain with him while he inspected the property. There was a large amount of blood in the front lobby of the business and the owner requested that I contact Hygentec.

Hygentec arrived on scene at approximately 0515 hours to clean up. I cleared the scene after they arrived.



# SACRAMENTO POLICE DEPARTMENT

## PUBLIC HARDCOPY

RELEASED PER PUBLIC RECORDS ACT REQUEST

GO# SA 2012-332558 CLEARED  
EXCEPTIONALLY

1315-19 245(A)(1)AWDW-NON-FIREARM

### Clearance Information

Agency: **SACRAMENTO PD**

Cleared status: **CLEARED EXCEPTIONALLY - DEATH OF OFFENDER**

Cleared on: **Mar-19-2013 (Tue.)**

Cleared by Officer 1: **477 - JOHNSON, M 0706 ( )**

Org Unit: **HOMIC - OOI MAJOR CRIMES - HOMICIDE**

Approved by: **285 - STIGERTS, MARNIE J 4110**

Org Unit: **HOMIC - OOI MAJOR CRIMES - HOMICIDE**

Complainant/Victim notified: **No**



# SACRAMENTO POLICE DEPARTMENT

## PUBLIC HARDCOPY

RELEASED PER PUBLIC RECORDS ACT REQUEST

GO# SA 2012-332558 CLEARED  
EXCEPTIONALLY

1315-19 245(A)(1)AWDW-NON-FIREARM

### Related Property Report(s)

#### Report Information

Property Report #: 763836

Property case status: SEIZED (EVIDENCE)

Submitted on: Dec-11-2012 (Tue.) by: JASPERSON, KYLE 0440 ( )

#### **Related:**

Offense: GO SA 2012- 332558

Location: 5770 FREEPORT BLVD

Municipality: SACRAMENTO County: SACRAMENTO COUNTY

District: 4 Zone: 4C

Related items: 2

#### Articles - Evidence

Status: SEIZED (EVIDENCE)

Tag #: SA763836- 1

Article: RCDISC- RADIO, TV, AND SOUND ENTERTAINMENT DEVICES

Serial # 1: UNKNOWN

OAN:

Value: \$0.00

Color:

Description: DVD W/INTERVIEW OF OFC. DAVIS ON 12-8-12

Recovered date: -

Recovered value: \$0.00

Recovered location: HOJ

Flags: \*e

Current Location: EP BL/09052802

#### Miscellaneous - Evidence

Status: SEIZED (EVIDENCE)

Tag #: SA763836- 2

Description: SKETCH DRAWN BY OFC. DAVIS DURING INTERVIEW ON 12-8-12

Recovered location: HOJ

Flags = d (disposed) x (x-reference) n (entered on NCIC) \*e (evidence)



**SACRAMENTO POLICE DEPARTMENT**

**PUBLIC HARDCOPY**

**RELEASED PER PUBLIC RECORDS ACT REQUEST**

**GO# SA 2012-332558 CLEARED  
EXCEPTIONALLY**

**1315-19 245(A)(1)AWDW-NON-FIREARM**

**Related Property Report(s)**

**Report Information**

**Property Report #: 763844**

Property case status: **SEIZED (EVIDENCE)**

Submitted on: **Dec-11-2012 (Tue.)** by: **DEDONDER, BRIAN 0302 ( [REDACTED] )**

**Related:**

Offense: **GO SA 2012- 332558**

Location: **5770 FREEPORT BLVD**

Municipality: **SACRAMENTO** County: **SACRAMENTO COUNTY**

District: **4** Zone: **4C**

Related items: **1**

**Articles - Evidence**

Status: **SEIZED (EVIDENCE)**

Tag #: **SA763844- 1**

Article: **RCDISC- RADIO, TV, AND SOUND ENTERTAINMENT DEVICES**

Model:

# of pieces: **1**

Serial # 1: **UNKNOWN**

OAN:

Value: **\$0.00**

Color:

Description: **DVD INTERVIEW OF SGT GREEN (SWAT)**

Recovered date: -

Recovered value: **\$0.00**

Flags: **\*e**

Current Location: **EP BL/09052802**

Flags = d (disposed) x (x-reference) n (entered on NCIC) \*e (evidence)



**SACRAMENTO POLICE DEPARTMENT**

**PUBLIC HARDCOPY**

**RELEASED PER PUBLIC RECORDS ACT REQUEST**

**GO# SA 2012-332558 CLEARED  
EXCEPTIONALLY**

**1315-19 245(A)(1)AWDW-NON-FIREARM**

**Related Property Report(s)**

**Report Information**

**Property Report #: 763494**

Property case status: **SEIZED (EVIDENCE)**

Submitted on: **Dec-09-2012 (Sun.)** by: **DEARDORFF, JONTHOMAS 0570**

**Related:**

Offense: **GO SA 2012- 332558**

Location: **8349 FOLSOM BLVD**

Municipality: **SACRAMENTO** County: **SACRAMENTO COUNTY**

District: **3** Zone: **3C**

Related items: **1**

**Articles - Evidence**

Status: **SEIZED (EVIDENCE)**

Tag #: **SA763494- 1**

Article: **YMISCEL- MISCELLANEOUS**

Make:

Model:

# of pieces: **1**

Serial # 1: **E299281**

OAN:

Value: **\$0.00**

Color: **BLACK**

Description: **FLASHBANG COLLECTED FROM OFC. BLESSING #266 (UNN22)**

Recovered date: -

Recovered value: **\$0.00**

Flags: **\*e**

Current Location: **EP BL/09052802**

Flags = d (disposed) x (x-reference) n (entered on NCIC) \*e (evidence)





**SACRAMENTO POLICE DEPARTMENT**

**PUBLIC HARDCOPY**

**RELEASED PER PUBLIC RECORDS ACT REQUEST**

**GO# SA 2012-332558 CLEARED  
EXCEPTIONALLY**

**1315-19 245(A)(1)AWDW-NON-FIREARM**

**Related Property Report(s)**

**Report Information**

**Property Report #: 763828**  
Property case status: **SEIZED (EVIDENCE)**  
Submitted on: **Dec-08-2012 (Sat.)** by: **ALONSO, BRYAN 0803**  
Org unit: **OOI MAJ CRIMES - FELONY ASSAULTS SOUTH**  
**Related:**  
Offense: **GO SA 2012- 332558**  
Related items: 4

**Articles - Evidence**

Status: **SEIZED (EVIDENCE)** Tag #: **SA763828- 1**  
Article: **RCDISC- RADIO, TV, AND SOUND ENTERTAINMENT DEVICES**  
Make: **MEMORE**  
Model: **DVD-R** # of pieces: **1**  
Serial # 1: **UNKNOWN** OAN:  
Value: **\$0.00** Color:  
Description: **INTERVIEW W/ [REDACTED] ON 12-8-12 (DET ALONSO)**  
Recovered date: - Recovered value: **\$0.00**  
Flags: **\*e**  
Current Location: **EP BL/09052802**

**Articles - Evidence**

Status: **SEIZED (EVIDENCE)** Tag #: **SA763828- 2**  
Article: **IDOCUME- ITEMS OF IDENTIFICATION**  
Model: # of pieces: **2**  
Serial # 1: **UNKNOWN** OAN:  
Value: **\$0.00** Color:  
Description: **SKETCH OF RESTAURANT & SUSP GUN DURING [REDACTED] INTRVW**  
Recovered date: - Recovered value: **\$0.00**  
Flags: **\*e**  
Current Location: **EP BL/09052802**

**Articles - Evidence**

Status: **SEIZED (EVIDENCE)** Tag #: **SA763828- 3**  
Article: **RCDISC- RADIO, TV, AND SOUND ENTERTAINMENT DEVICES**  
Make: **MEMORE**  
Model: **DVD-R** # of pieces: **1**  
Serial # 1: **UNKNOWN** OAN:  
Value: **\$0.00** Color:  
Description: **INTERVIEW W/ [REDACTED] ON 12-8-12 (DET ALONSO)**  
Recovered date: - Recovered value: **\$0.00**  
Flags: **\*e**  
Current Location: **EP BL/09052802**

**Articles - Evidence**



**SACRAMENTO POLICE DEPARTMENT**

**PUBLIC HARDCOPY**

**RELEASED PER PUBLIC RECORDS ACT REQUEST**

**GO# SA 2012-332558 CLEARED  
EXCEPTIONALLY**

**1315-19 245(A)(1)AWDW-NON-FIREARM**

Status: **SEIZED (EVIDENCE)**

Tag #: **SA763828- 4**

Article: **IDOCUME- ITEMS OF IDENTIFICATION**

Model:

# of pieces: **2**

Serial # 1: **UNKNOWN**

OAN:

Value: **\$0.00**

Color:

Description: **SKETCH OF RESTAURANT & SUSP GUN DURING " [REDACTED] INTRVW**

Recovered date: -

Recovered value: **\$0.00**

Flags: **\*e**

Current Location: **EP BL/09052802**

Flags = d (disposed) x (x-reference) n (entered on NCIC) \*e (evidence)



# SACRAMENTO POLICE DEPARTMENT

## PUBLIC HARDCOPY

RELEASED PER PUBLIC RECORDS ACT REQUEST

GO# SA 2012-332558 CLEARED  
EXCEPTIONALLY

1315-19 245(A)(1)AWDW-NON-FIREARM

### Related Property Report(s)

#### Report Information

Property Report #: 763814

Property case status: SEIZED (EVIDENCE)

Submitted on: Dec-11-2012 (Tue.) by: JOHNSON, M 0706 ( )

#### **Related:**

Offense: GO SA 2012- 332558

Related items: 5

#### Articles - Evidence

Status: SEIZED (EVIDENCE)

Tag #: SA763814- 1

Article: RCDISC- RADIO, TV, AND SOUND ENTERTAINMENT DEVICES

Model:

# of pieces: 2

Serial # 1: UNKNOWN

OAN:

Value: \$0.00

Color:

Description: INTERVIEW: OFFICER A. VILLEGAS

Recovered date: -

Recovered value: \$0.00

Flags: \*e

Current Location: EP BL/09052802

#### Articles - Evidence

Status: SEIZED (EVIDENCE)

Tag #: SA763814- 3

Article: RCDISC- RADIO, TV, AND SOUND ENTERTAINMENT DEVICES

Model:

# of pieces: 1

Serial # 1: UNKNOWN

OAN:

Value: \$0.00

Color:

Description: INTERVIEW: &

Recovered date: -

Recovered value: \$0.00

Flags: \*e

Current Location: EP BL/09052802

#### Articles - Evidence

Status: SEIZED (EVIDENCE)

Tag #: SA763814- 2

Article: RCDISC- RADIO, TV, AND SOUND ENTERTAINMENT DEVICES

Model:

# of pieces: 2

Serial # 1: UNKNOWN

OAN:

Value: \$0.00

Color:

Description: INTERVIEW: &

Recovered date: -

Recovered value: \$0.00

Flags: \*e

Current Location: EP BL/09052802

#### Articles - Evidence

Status: SEIZED (EVIDENCE)

Tag #: SA763814- 4

Article: RCDISC- RADIO, TV, AND SOUND ENTERTAINMENT DEVICES

Model:

# of pieces: 1



**SACRAMENTO POLICE DEPARTMENT**

**PUBLIC HARDCOPY**

**RELEASED PER PUBLIC RECORDS ACT REQUEST**

**GO# SA 2012-332558 CLEARED  
EXCEPTIONALLY**

**1315-19 245(A)(1)AWDW-NON-FIREARM**

Serial # 1: **12010564**

OAN:

Value: **\$0.00**

Color:

Description: **DVD OF COUNTY CRIME LAB 3D SCANSTATION OF CRIME SCENE**

Recovered date: -

Recovered value: **\$0.00**

Flags: \*e

Current Location: **EP BL/09052802**

**Articles - Evidence**

Status: **SEIZED (EVIDENCE)**

Tag #: **SA763814- 5**

Article: **RCDISC- RADIO, TV, AND SOUND ENTERTAINMENT DEVICES**

Model:

# of pieces: **1**

Serial # 1: **UNKNOWN**

OAN:

Value: **\$0.00**

Color:

Description: **CHP 911 CALLS**

Recovered date: -

Recovered value: **\$0.00**

Flags: \*e

Current Location: **EP BL/09052802**

Flags = d (disposed) x (x-reference) n (entered on NCIC) \*e (evidence)



# SACRAMENTO POLICE DEPARTMENT

## PUBLIC HARDCOPY

RELEASED PER PUBLIC RECORDS ACT REQUEST

GO# SA 2012-332558 CLEARED  
EXCEPTIONALLY

1315-19 245(A)(1)AWDW-NON-FIREARM

### Related Property Report(s)

#### Report Information

Property Report #: 763606

Property case status: SEIZED (EVIDENCE)

Submitted on: Dec-09-2012 (Sun.) by: MACLAFFERTY, SCOTT 3065

#### **Related:**

Offense: GO SA 2012- 332558

Related items: 6

#### Articles - Evidence

Status: SEIZED (EVIDENCE)

Tag #: SA763606- 5

Article: RCDISC- RADIO, TV, AND SOUND ENTERTAINMENT DEVICES

Model:

# of pieces: 2

Serial # 1: NONE

OAN:

Value: \$0.00

Color:

Description: INTERVIEW: [REDACTED]

Recovered date: -

Recovered value: \$0.00

Flags: \*e

Current Location: EP BL/09052802

#### Articles - Evidence

Status: SEIZED (EVIDENCE)

Tag #: SA763606- 6

Article: RCDISC- RADIO, TV, AND SOUND ENTERTAINMENT DEVICES

Model:

# of pieces: 1

Serial # 1: NONE

OAN:

Value: \$0.00

Color:

Description: INTERVIEW: [REDACTED]

Recovered date: -

Recovered value: \$0.00

Flags: \*e

Current Location: EP BL/09052802

#### Articles - Evidence

Status: SEIZED (EVIDENCE)

Tag #: SA763606- 4

Article: RCDISC- RADIO, TV, AND SOUND ENTERTAINMENT DEVICES

Model:

# of pieces: 2

Serial # 1: NONE

OAN:

Value: \$0.00

Color:

Description: INTERVIEW: OFC. JOHN LIGHTFOOT

Recovered date: -

Recovered value: \$0.00

Flags: \*e

Current Location: EP BL/09052802

#### Articles - Evidence

Status: SEIZED (EVIDENCE)

Tag #: SA763606- 1

Article: YDRUGS- MISCELLANEOUS

Model:

# of pieces: 7



**SACRAMENTO POLICE DEPARTMENT**

**PUBLIC HARDCOPY**

**RELEASED PER PUBLIC RECORDS ACT REQUEST**

**GO# SA 2012-332558 CLEARED  
EXCEPTIONALLY**

**1315-19 245(A)(1)AWDW-NON-FIREARM**

Serial # 1: **NONE**

Value: **\$0.00**

Description: **7 BOXES OF ABILIFY 10 MG TABS**

Recovered date: -

Flags: \*e

Current Location: **EP BL/09052802**

OAN:

Color:

Recovered value: **\$0.00**

**Articles - Evidence**

Status: **SEIZED (EVIDENCE)**

Article: **YDRUGS- MISCELLANEOUS**

Model:

Serial # 1: **NONE**

Value: **\$0.00**

Description: **21 PILLS W/SEROQUIL SCRIPT CONTAINER**

Recovered date: -

Flags: \*e

Current Location: **EP BL/09052802**

Tag #: **SA763606- 2**

# of pieces: **22**

OAN:

Color:

Recovered value: **\$0.00**

**Articles - Evidence**

Status: **SEIZED (EVIDENCE)**

Article: **YAMMO- MISCELLANEOUS**

Make: **SUPER X**

Model:

Serial # 1: **NONE**

Value: **\$0.00**

Description: **22 CALIBER BULLET**

Recovered date: -

Flags: \*e

Current Location: **EP BL/09052802**

Tag #: **SA763606- 3**

# of pieces: **1**

OAN:

Color:

Recovered value: **\$0.00**

Flags = d (disposed) x (x-reference) n (entered on NCIC) \*e (evidence)



# SACRAMENTO POLICE DEPARTMENT

## PUBLIC HARDCOPY

RELEASED PER PUBLIC RECORDS ACT REQUEST

GO# SA 2012-332558 CLEARED  
EXCEPTIONALLY

1315-19 245(A)(1)AWDW-NON-FIREARM

### Related Property Report(s)

#### Report Information

Property Report #: 763594

Property case status: SAFEKEEPING

Submitted on: Dec-09-2012 (Sun.) by: KIRTLAN, JASON 3004

#### **Related:**

Offense: GO SA 2012- 332558

Related items: 6

#### Firearm

Status: SAFEKEEPING

Tag #: SA763594- 1

Make: REMNGTN ARMS CO.,INC

Item: RIFLE

Model: 700

Barrel length:

Serial #: [REDACTED]

OAN:

Description: JOHN LIGHTFOOT'S RIFLE

Recovered date: -

Flags: d

Current Location: (Disposed)

Type: BOLT ACTION

Caliber: 308

Finish: BLK

Value: \$0.00

Recovered value: \$0.00

#### Firearm

Status: SAFEKEEPING

Tag #: SA763594- 2

Make: REMNGTN ARMS CO.,INC

Item: RIFLE

Model: 700

Barrel length:

Serial #: [REDACTED]

OAN:

Description: RAY VILLEGAS' RIFLE

Recovered date: -

Flags: d

Current Location: (Disposed)

Type: BOLT ACTION

Caliber: 308

Finish: BLK

Value: \$0.00

Recovered value: \$0.00

#### Firearm

Status: SAFEKEEPING

Tag #: SA763594- 3

Make: DEFENSE PROCURE MFG

Item: RIFLE

Model: LR308

Barrel length:

Serial #: 28353

Type: AUTOMATIC

Caliber: 308

Finish: BLK



**SACRAMENTO POLICE DEPARTMENT**

**PUBLIC HARDCOPY**

**RELEASED PER PUBLIC RECORDS ACT REQUEST**

GO# SA 2012-332558 CLEARED  
EXCEPTIONALLY

1315-19 245(A)(1)AWDW-NON-FIREARM

OAN: Value: **\$0.00**  
Description: **TODD EDGERTON'S RIFLE**  
Recovered date: - Recovered value: **\$0.00**  
Flags: **d**  
Current Location: **(Disposed)**

**Firearm**

Status: **SAFEKEEPING**  
Tag #: **SA763594- 4**  
Make: **COLT**  
Item: **RIFLE** Type: **AUTOMATIC**  
Model: **M4LE** Caliber: **5.56**  
Barrel length: Finish: **BLK**  
Serial #: **LE093502**  
OAN: Value: **\$0.00**  
Description: **ANDY DAVIS' RIFLE**  
Recovered date: - Recovered value: **\$0.00**  
Flags: **d**  
Current Location: **(Disposed)**

**Firearm**

Status: **SAFEKEEPING**  
Tag #: **SA763594- 5**  
Make: **COLT**  
Item: **RIFLE** Type: **AUTOMATIC**  
Model: **M4LE** Caliber: **5.56**  
Barrel length: Finish: **BLK**  
Serial #: **LE093506**  
OAN: Value: **\$0.00**  
Description: **KEVIN GRIFFIN'S RIFLE**  
Recovered date: - Recovered value: **\$0.00**  
Flags: **d**  
Current Location: **(Disposed)**

**Firearm**

Status: **SAFEKEEPING**  
Tag #: **SA763594- 6**  
Make: **COLT**  
Item: **RIFLE** Type: **AUTOMATIC**  
Model: **M4LE** Caliber: **5.56**  
Barrel length: Finish: **BLK**  
Serial #: **LE093473**  
OAN: Value: **\$0.00**  
Description: **ADAM GREEN'S RIFLE**  
Recovered date: - Recovered value: **\$0.00**  
Flags: **d**  
Current Location: **(Disposed)**





**SACRAMENTO POLICE DEPARTMENT**

**PUBLIC HARDCOPY**

**RELEASED PER PUBLIC RECORDS ACT REQUEST**

**GO# SA 2012-332558 CLEARED  
EXCEPTIONALLY**

**1315-19 245(A)(1)AWDW-NON-FIREARM**

Flags = d (disposed) x (x-reference) n (entered on NCIC) \*e (evidence)



**SACRAMENTO POLICE DEPARTMENT**

**PUBLIC HARDCOPY**

**RELEASED PER PUBLIC RECORDS ACT REQUEST**

**GO# SA 2012-332558 CLEARED  
EXCEPTIONALLY**

**1315-19 245(A)(1)AWDW-NON-FIREARM**

**Related Property Report(s)**

**Report Information**

**Property Report #: 764071**

Property case status: **SEIZED (EVIDENCE)**

Submitted on: **Dec-13-2012 (Thu.)** by: **GUERRA, RODRICK 7717**

**Related:**

Offense: **GO SA 2012- 332558**

Related items: **1**

**Articles**

Status: **SEIZED (EVIDENCE)**

Tag #: **SA764071- 1**

Article: **RCDISC- RADIO, TV, AND SOUND ENTERTAINMENT DEVICES**

Serial # 1: **UNKNOWN**

OAN:

Value: **\$0.00**

Color:

Description: **DVD WITH INTERVIEW OF WITNESS** [REDACTED]

Recovered date: -

Recovered value: **\$0.00**

Current Location: **EP BL/09052802**

Flags = d (disposed) x (x-reference) n (entered on NCIC) \*e (evidence)



**SACRAMENTO POLICE DEPARTMENT**

**PUBLIC HARDCOPY**

**RELEASED PER PUBLIC RECORDS ACT REQUEST**

**GO# SA 2012-332558 CLEARED  
EXCEPTIONALLY**

**1315-19 245(A)(1)AWDW-NON-FIREARM**

**Related Property Report(s)**

**Report Information**

**Property Report #: 763963**

Property case status: **SEIZED (EVIDENCE)**

Submitted on: **Dec-12-2012 (Wed.)** by: **AYERS, SHAWN E 3002**

**Related:**

Offense: **GO SA 2012- 332558**

Related items: **1**

**Articles - Evidence**

Status: **SEIZED (EVIDENCE)**

Tag #: **SA763963- 1**

Article: **RCDISC- RADIO, TV, AND SOUND ENTERTAINMENT DEVICES**

Model:

# of pieces: **1**

Serial # 1: **UNKNOWN**

OAN:

Value: **\$0.00**

Color:

Description: (W)- [REDACTED] **INTERVIEW (12-8-12)**

Recovered date: -

Recovered value: **\$0.00**

Flags: **\*e**

Current Location: **EP BL/09052802**

Flags = d (disposed) x (x-reference) n (entered on NCIC) \*e (evidence)



**SACRAMENTO POLICE DEPARTMENT**

**PUBLIC HARDCOPY**

**RELEASED PER PUBLIC RECORDS ACT REQUEST**

**GO# SA 2012-332558 CLEARED  
EXCEPTIONALLY**

**1315-19 245(A)(1)AWDW-NON-FIREARM**

**Related Property Report(s)**

**Report Information**

**Property Report #: 764033**

**Property case status: SEIZED (EVIDENCE)**

**Submitted on: Dec-08-2012 (Sat.) by: KIRTLAN, JASON 3004**

**Related:**

**Offense: GO SA 2012- 332558**

**Related items: 4**

**Articles - Evidence**

**Status: SEIZED (EVIDENCE)**

**Tag #: SA764033- 1**

**Article: DCIRCUI- DATA PROCESSING EQUIPMENT**

**Make: SANDISK**

**Model: 8GB**

**# of pieces:**

**Serial # 1: UNKNOWN**

**OAN:**

**Value: \$0.00**

**Color: BLACK**

**Description: CRIME SCENE VIDEO ON SAN DISK MEMORY CARD**

**Recovered date: -**

**Recovered value: \$0.00**

**Flags: \*e**

**Current Location: EP BL/09052802**

**Articles - Evidence**

**Status: SEIZED (EVIDENCE)**

**Tag #: SA764033- 2**

**Article: RCDISC- RADIO, TV, AND SOUND ENTERTAINMENT DEVICES**

**Serial # 1: UNKNOWN**

**OAN:**

**Value: \$0.00**

**Color:**

**Description: CRIME SCENE VIDEO BURNED FROM SD CARD**

**Recovered date: -**

**Recovered value: \$0.00**

**Flags: \*e**

**Current Location: EP BL/09052802**

**Articles - Evidence**

**Status: SEIZED (EVIDENCE)**

**Tag #: SA764033- 3**

**Article: RCDISC- RADIO, TV, AND SOUND ENTERTAINMENT DEVICES**

**Serial # 1: UNKNOWN**

**OAN:**

**Value: \$0.00**

**Color:**

**Description: 911 CALLS TO SPD COMMUNICATIONS CENTER**

**Recovered date: -**

**Recovered value: \$0.00**

**Flags: \*e**

**Current Location: EP BL/09052802**

**Articles - Evidence**

**Status: SEIZED (EVIDENCE)**

**Tag #: SA764033- 4**

**Article: RCDISC- RADIO, TV, AND SOUND ENTERTAINMENT DEVICES**

**Serial # 1: UNKNOWN**

**OAN:**

**Value: \$0.00**

**Color:**



# SACRAMENTO POLICE DEPARTMENT

## PUBLIC HARDCOPY

RELEASED PER PUBLIC RECORDS ACT REQUEST

GO# SA 2012-332558 CLEARED  
EXCEPTIONALLY

1315-19 245(A)(1)AWDW-NON-FIREARM

Description: **CHP 911 CALLS**

Recovered date: -

Recovered value: **\$0.00**

Flags: \*e

Current Location: **EP BL/09052802**

Flags = d (disposed) x (x-reference) n (entered on NCIC) \*e (evidence)



**SACRAMENTO POLICE DEPARTMENT**

**PUBLIC HARDCOPY**

**RELEASED PER PUBLIC RECORDS ACT REQUEST**

**GO# SA 2012-332558 CLEARED  
EXCEPTIONALLY**

**1315-19 245(A)(1)AWDW-NON-FIREARM**

**Related Property Report(s)**

**Report Information**

**Property Report #: 765737**

**Property case status: SEIZED (EVIDENCE)**

**Submitted on: Dec-27-2012 (Thu.) by: RICHARDSON, S 0621 ( )**

**Related:**

**Offense: GO SA 2012- 332558**

**Location: 5770 FREEPORT BLVD**

**Municipality: SACRAMENTO County: SACRAMENTO COUNTY**

**District: 4 Zone: 4C**

**Related items: 1**

**Articles - Evidence**

**Status: SEIZED (EVIDENCE)**

**Tag #: SA765737- 1**

**Article: RCDISC- RADIO, TV, AND SOUND ENTERTAINMENT DEVICES**

**Serial # 1: UNKNOWN**

**OAN:**

**Value: \$0.00**

**Color:**

**Description: INTERVIEW OF (V) ( ) AND (W) ( )**

**Recovered date: -**

**Recovered value: \$0.00**

**Flags: \*e**

**Current Location: EP BL/09052802**

**Flags = d (disposed) x (x-reference) n (entered on NCIC) \*e (evidence)**



# SACRAMENTO POLICE DEPARTMENT

## PUBLIC HARDCOPY

RELEASED PER PUBLIC RECORDS ACT REQUEST

GO# SA 2012-332558 CLEARED  
EXCEPTIONALLY

1315-19 245(A)(1)AWDW-NON-FIREARM

### Related Property Report(s)

#### Report Information

Property Report #: 763478

Property case status: SEIZED (EVIDENCE)

Submitted on: Dec-09-2012 (Sun.) by: CRUZ, MICAELA 0278

#### **Related:**

Offense: GO SA 2012- 332558

Related items: 29

#### Articles - Evidence

Status: SEIZED (EVIDENCE)

Tag #: SA763478- 24

Article: PPANTS- PERSONAL ACCESSORIES

Make: DICKIES

Model:

# of pieces: 1

Serial # 1: UNKNOWN

OAN:

Value: \$0.00

Color: BLACK

Description: ONE PAIR DICKIES SHORTS SIZE 33

Recovered date: -

Recovered value: \$0.00

Flags: \*e

Current Location: EP BL/09052802

#### Articles - Evidence

Status: SEIZED (EVIDENCE)

Tag #: SA763478- 25

Article: PHOSIER- PERSONAL ACCESSORIES

Make: USA

Model:

# of pieces: 1

Serial # 1: UNKNOWN

OAN:

Value: \$0.00

Color: BLACK, RED

Description: ONE PAIR OF SOCKS

Recovered date: -

Recovered value: \$0.00

Flags: \*e

Current Location: EP BL/09052802

#### Articles - Evidence

Status: SEIZED (EVIDENCE)

Tag #: SA763478- 26

Article: PSHORTS- PERSONAL ACCESSORIES

Make:

Model:

# of pieces: 1

Serial # 1: UNKNOWN

OAN:

Value: \$0.00

Color: BLUE, RED

Description: ONE PAIR ATHLETIC SHORTS

Recovered date: -

Recovered value: \$0.00

Flags: \*e

Current Location: EP BL/09052802

#### Articles - Evidence



# SACRAMENTO POLICE DEPARTMENT

## PUBLIC HARDCOPY

RELEASED PER PUBLIC RECORDS ACT REQUEST

GO# SA 2012-332558 CLEARED  
EXCEPTIONALLY

1315-19 245(A)(1)AWDW-NON-FIREARM

Status: **SEIZED (EVIDENCE)**  
Article: **PSHOES- PERSONAL ACCESSORIES**  
Make: **CONVERSE**  
Model:  
Serial # 1: **UNKNOWN**  
Value: **\$0.00**  
Description: **ONE PAIR TENNIS SHOES SIZE 7.5**  
Recovered date: -  
Flags: \*e  
Current Location: **EP BL/09052802**

Tag #: **SA763478- 27**  
  
# of pieces: **1**  
OAN:  
Color: **BLACK, WHITE**  
  
Recovered value: **\$0.00**

### Articles - Evidence

Status: **SEIZED (EVIDENCE)**  
Article: **EHANDLE- EQUIPMENT, MEASURING DEVICES, AND TOOLS**  
Make:  
Model:  
Serial # 1: **UNKNOWN**  
Value: **\$0.00**  
Description: **SPOON BELONGING TO FLASH BANG NORTH SIDE OF BUSINESS**  
Recovered date: -  
Flags: \*e  
Current Location: **EP BL/09052802**

Tag #: **SA763478- 1**  
  
# of pieces: **1**  
OAN:  
Color: **BLACK**  
  
Recovered value: **\$0.00**

### Articles - Evidence

Status: **SEIZED (EVIDENCE)**  
Article: **EHANDLE- EQUIPMENT, MEASURING DEVICES, AND TOOLS**  
Make:  
Model:  
Serial # 1: **UNKNOWN**  
Value: **\$0.00**  
Description: **SPOON BELONGING TO FLASH BANG NORTH SIDE OF BUSINESS**  
Recovered date: -  
Flags: \*e  
Current Location: **EP BL/09052802**

Tag #: **SA763478- 2**  
  
# of pieces: **1**  
OAN:  
Color: **BLACK**  
  
Recovered value: **\$0.00**

### Articles - Evidence

Status: **SEIZED (EVIDENCE)**  
Article: **YMISCEL- MISCELLANEOUS**  
Make:  
Model:  
Serial # 1: **E299293**  
Value: **\$0.00**  
Description: **FLASH BANG FROM NORTH SIDE OF BUSINESS**  
Recovered date: -  
Flags: \*e  
Current Location: **EP BL/09052802**

Tag #: **SA763478- 3**  
  
# of pieces: **1**  
OAN:  
Color: **BLACK**  
  
Recovered value: **\$0.00**

### Articles - Evidence





# SACRAMENTO POLICE DEPARTMENT

## PUBLIC HARDCOPY

RELEASED PER PUBLIC RECORDS ACT REQUEST

GO# SA 2012-332558 CLEARED  
EXCEPTIONALLY

1315-19 245(A)(1)AWDW-NON-FIREARM

Status: **SEIZED (EVIDENCE)** Tag #: **SA763478- 4**  
Article: **YMISCEL- MISCELLANEOUS**  
Make:  
Model: # of pieces: **1**  
Serial # 1: **E299277** OAN:  
Value: **\$0.00** Color: **BLACK**  
Description: **FLASH BANG FROM NORTH SIDE OF BUSINESS**  
Recovered date: - Recovered value: **\$0.00**  
Flags: \*e  
Current Location: **EP BL/09052802**

### Articles - Evidence

Status: **SEIZED (EVIDENCE)** Tag #: **SA763478- 5**  
Article: **YMISCEL- MISCELLANEOUS**  
Make:  
Model: # of pieces: **1**  
Serial # 1: **E299277** OAN:  
Value: **\$0.00** Color: **BLACK**  
Description: **PIN BELONGING TO FLASH BANG ON E SIDE OF BUILDING**  
Recovered date: - Recovered value: **\$0.00**  
Flags: \*e  
Current Location: **EP BL/09052802**

### Articles - Evidence

Status: **SEIZED (EVIDENCE)** Tag #: **SA763478- 6**  
Article: **YCASING- MISCELLANEOUS**  
Make: **WINCHESTER**  
Model: # of pieces: **1**  
Serial # 1: **UNKNOWN** OAN:  
Value: **\$0.00** Color:  
Description: **ONE FIRED 223 CALIBER CASING**  
Recovered date: - Recovered value: **\$0.00**  
Flags: \*e  
Current Location: **EP BL/09052802**

### Articles - Evidence

Status: **SEIZED (EVIDENCE)** Tag #: **SA763478- 7**  
Article: **YCASING- MISCELLANEOUS**  
Make: **WINCHESTER**  
Model: # of pieces: **1**  
Serial # 1: **UNKNOWN** OAN:  
Value: **\$0.00** Color:  
Description: **ONE FIRED 223 CALIBER CASING**  
Recovered date: - Recovered value: **\$0.00**  
Flags: \*e  
Current Location: **EP BL/09052802**

### Articles - Evidence



# SACRAMENTO POLICE DEPARTMENT

## PUBLIC HARDCOPY

RELEASED PER PUBLIC RECORDS ACT REQUEST

GO# SA 2012-332558 CLEARED  
EXCEPTIONALLY

1315-19 245(A)(1)AWDW-NON-FIREARM

Status: **SEIZED (EVIDENCE)**  
Article: **YCASING- MISCELLANEOUS**  
Make: **HORNADY**  
Model:  
Serial # 1: **UNKNOWN**  
Value: **\$0.00**  
Description: **ONE FIRED 308 CALIBER CASING**  
Recovered date: -  
Flags: \*e  
Current Location: **EP BL/09052802**

Tag #: **SA763478- 8**

# of pieces: **1**  
OAN:  
Color:

Recovered value: **\$0.00**

### Articles - Evidence

Status: **SEIZED (EVIDENCE)**  
Article: **YCASING- MISCELLANEOUS**  
Make: **WINCHESTER**  
Model:  
Serial # 1: **UNKNOWN**  
Value: **\$0.00**  
Description: **ONE FIRED 223 CALIBER CASING**  
Recovered date: -  
Flags: \*e  
Current Location: **EP BL/09052802**

Tag #: **SA763478- 9**

# of pieces: **1**  
OAN:  
Color:

Recovered value: **\$0.00**

### Articles - Evidence

Status: **SEIZED (EVIDENCE)**  
Article: **YCASING- MISCELLANEOUS**  
Make: **HORNADY**  
Model:  
Serial # 1: **UNKNOWN**  
Value: **\$0.00**  
Description: **ONE FIRED 308 CALIBER CASING**  
Recovered date: -  
Flags: \*e  
Current Location: **EP BL/09052802**

Tag #: **SA763478- 10**

# of pieces: **1**  
OAN:  
Color:

Recovered value: **\$0.00**

### Articles - Evidence

Status: **SEIZED (EVIDENCE)**  
Article: **YCASING- MISCELLANEOUS**  
Make: **HORNADY**  
Model:  
Serial # 1: **UNKNOWN**  
Value: **\$0.00**  
Description: **ONE FIRED 308 CALIBER CASING**  
Recovered date: -  
Flags: \*e  
Current Location: **EP BL/09052802**

Tag #: **SA763478- 11**

# of pieces: **1**  
OAN:  
Color:

Recovered value: **\$0.00**

### Articles - Evidence



# SACRAMENTO POLICE DEPARTMENT

## PUBLIC HARDCOPY

RELEASED PER PUBLIC RECORDS ACT REQUEST

GO# SA 2012-332558 CLEARED  
EXCEPTIONALLY

1315-19 245(A)(1)AWDW-NON-FIREARM

Status: **SEIZED (EVIDENCE)**  
Article: **YCASING- MISCELLANEOUS**  
Make: **HORNADY**  
Model:  
Serial # 1: **UNKNOWN**  
Value: **\$0.00**  
Description: **ONE LIVE 308 CALIBER CASING**  
Recovered date: -  
Flags: \*e  
Current Location: **EP BL/09052802**

Tag #: **SA763478- 12**  
  
# of pieces: **1**  
OAN:  
Color:  
  
Recovered value: **\$0.00**

### Articles - Evidence

Status: **SEIZED (EVIDENCE)**  
Article: **EADAPTO- EQUIPMENT, MEASURING DEVICES, AND TOOLS**  
Model:  
Serial # 1: **UNKNOWN**  
Value: **\$0.00**  
Description: **AC ADAPTOR W/WIRE INT DOOR HANDLE OF ELECTRICAL CLOSET**  
Recovered date: -  
Flags: \*e  
Current Location: **EP BL/09052802**

Tag #: **SA763478- 13**  
  
# of pieces: **1**  
OAN:  
Color:  
  
Recovered value: **\$0.00**

### Articles - Evidence

Status: **SEIZED (EVIDENCE)**  
Article: **YGLASSW- MISCELLANEOUS**  
Model:  
Serial # 1: **UNKNOWN**  
Value: **\$0.00**  
Description: **APPARENT GLASS FRAGMENTS**  
Recovered date: -  
Flags: \*e  
Current Location: **EP BL/09052802**

Tag #: **SA763478- 16**  
  
# of pieces: **1**  
OAN:  
Color:  
  
Recovered value: **\$0.00**

### Articles - Evidence

Status: **SEIZED (EVIDENCE)**  
Article: **PSHIRT- PERSONAL ACCESSORIES**  
Make: **NONAT**  
Model:  
Serial # 1: **UNKNOWN**  
Value: **\$0.00**  
Description: **LONG SLEEVE SHIRT SIZE XL, BURNED LEFT SLEEVE**  
Recovered date: -  
Flags: \*e  
Current Location: **EP BL/09052802**

Tag #: **SA763478- 17**  
  
# of pieces: **1**  
OAN:  
Color: **BLACK, PURPLE**  
  
Recovered value: **\$0.00**

### Articles - Evidence

Status: **SEIZED (EVIDENCE)**  
Article: **PLIGHTE- PERSONAL ACCESSORIES**

Tag #: **SA763478- 18**



# SACRAMENTO POLICE DEPARTMENT

## PUBLIC HARDCOPY

RELEASED PER PUBLIC RECORDS ACT REQUEST

GO# SA 2012-332558 CLEARED  
EXCEPTIONALLY

1315-19 245(A)(1)AWDW-NON-FIREARM

Make: **BIC**  
Model:  
Serial # 1: **UNKNOWN**  
Value: **\$0.00**  
Description: **TWO BIC YELLOW LIGHTERS**  
Recovered date: -  
Flags: \*e  
Current Location: **EP BL/09052802**

# of pieces: **2**  
OAN:  
Color: **YELLOW**  
Recovered value: **\$0.00**

### Articles - Evidence

Status: **SEIZED (EVIDENCE)** Tag #: **SA763478- 19**  
Article: **EFLASHL- EQUIPMENT, MEASURING DEVICES, AND TOOLS**  
Make:  
Model: # of pieces: **1**  
Serial # 1: **UNKNOWN** OAN:  
Value: **\$0.00** Color: **BLACK**  
Description: **FLASHLIGHT LOCATED INSIDE ELECTRICAL CLOSET**  
Recovered date: - Recovered value: **\$0.00**  
Flags: \*e  
Current Location: **EP BL/09052802**

### Articles - Evidence

Status: **SEIZED (EVIDENCE)** Tag #: **SA763478- 20**  
Article: **PSHIRT- PERSONAL ACCESSORIES**  
Make: **JACK IN THE BOX**  
Model: # of pieces: **1**  
Serial # 1: **UNKNOWN** OAN:  
Value: **\$0.00** Color: **GREEN**  
Description: **SHORT SLEEVE BUTTON UP SHIRT SIZE S**  
Recovered date: - Recovered value: **\$0.00**  
Flags: \*e  
Current Location: **EP BL/09052802**

### Articles - Evidence

Status: **SEIZED (EVIDENCE)** Tag #: **SA763478- 21**  
Article: **YCOVER- MISCELLANEOUS**  
Make:  
Model: # of pieces: **1**  
Serial # 1: **UNKNOWN** OAN:  
Value: **\$0.00** Color: **BLACK**  
Description: **APRON**  
Recovered date: - Recovered value: **\$0.00**  
Flags: \*e  
Current Location: **EP BL/09052802**

### Articles - Evidence

Status: **SEIZED (EVIDENCE)** Tag #: **SA763478- 22**  
Article: **PPANTS- PERSONAL ACCESSORIES**



# SACRAMENTO POLICE DEPARTMENT

## PUBLIC HARDCOPY

RELEASED PER PUBLIC RECORDS ACT REQUEST

GO# SA 2012-332558 CLEARED  
EXCEPTIONALLY

1315-19 245(A)(1)AWDW-NON-FIREARM

Make: **DICKIES**  
Model:  
Serial # 1: **UNKNOWN**  
Value: **\$0.00**  
Description: **PANTS SIZE 9**  
Recovered date: -  
Flags: \*e  
Current Location: **EP BL/09052802**

# of pieces: **1**  
OAN:  
Color: **BLACK**  
Recovered value: **\$0.00**

### Articles - Evidence

Status: **SEIZED (EVIDENCE)**  
Article: **PSHOES- PERSONAL ACCESSORIES**  
Make: **SHOES FOR CREWS**  
Model:  
Serial # 1: **UNKNOWN**  
Value: **\$0.00**  
Description: **ONE PAIR TENNIS SHOES SIZE 8.5**  
Recovered date: -  
Flags: \*e  
Current Location: **EP BL/09052802**

Tag #: **SA763478- 23**  
# of pieces: **1**  
OAN:  
Color: **BLACK**  
Recovered value: **\$0.00**

### Articles - Evidence

Status: **SEIZED (EVIDENCE)**  
Article: **YPAPBRO- MISCELLANEOUS**  
Model:  
Serial # 1: **UNKNOWN**  
Value: **\$0.00**  
Description: **PAPER FROM DRYING CABINET**  
Recovered date: -  
Flags: \*e  
Current Location: **EP BL/09052802**

Tag #: **SA763478- 28**  
# of pieces: **1**  
OAN:  
Color:  
Recovered value: **\$0.00**

### Articles - Evidence

Status: **SEIZED (EVIDENCE)**  
Article: **YFILCAB- MISCELLANEOUS**  
Model:  
Serial # 1: **UNKNOWN**  
Value: **\$0.00**  
Description: **FILTER FROM DRYING CABINET**  
Recovered date: -  
Flags: \*e  
Current Location: **EP BL/09052802**

Tag #: **SA763478- 29**  
# of pieces: **1**  
OAN:  
Color:  
Recovered value: **\$0.00**

### Miscellaneous - Evidence

Status: **SEIZED (EVIDENCE)**  
Tag #: **SA763478- 14**  
Description: **APPARENT BURNT MATERIAL**



**SACRAMENTO POLICE DEPARTMENT**

**PUBLIC HARDCOPY**

**RELEASED PER PUBLIC RECORDS ACT REQUEST**

**GO# SA 2012-332558 CLEARED  
EXCEPTIONALLY**

**1315-19 245(A)(1)AWDW-NON-FIREARM**

**Miscellaneous - Evidence**

Status: **SEIZED (EVIDENCE)**

Tag #: **SA763478- 15**

Description: **APPARENT BURNT MATERIAL**

Flags = d (disposed) x (x-reference) n (entered on NCIC) \*e (evidence)



# SACRAMENTO POLICE DEPARTMENT

## PUBLIC HARDCOPY

RELEASED PER PUBLIC RECORDS ACT REQUEST

GO# SA 2012-332558 CLEARED  
EXCEPTIONALLY

1315-19 245(A)(1)AWDW-NON-FIREARM

### Related Property Report(s)

#### Report Information

Property Report #: 765660

Property case status: SEIZED (EVIDENCE)

Submitted on: Dec-26-2012 (Wed.) by: BURKE, DANIEL 0474 ( )

#### **Related:**

Offense: GO SA 2012- 332558

Related items: 2

#### Articles - Evidence

Status: SEIZED (EVIDENCE)

Tag #: SA765660- 1

Article: RCDISC- RADIO, TV, AND SOUND ENTERTAINMENT DEVICES

Model:

# of pieces: 1

Serial # 1: UNKNOWN

OAN:

Value: \$0.00

Color:

Description: INTERVIEW OF OFC. K. GRIFFIN, 12/8/12

Recovered date: -

Recovered value: \$0.00

Flags: \*e

Current Location: EP BL/09052802

#### Articles - Evidence

Status: SEIZED (EVIDENCE)

Tag #: SA765660- 2

Article: YMAP- MISCELLANEOUS

Model:

# of pieces: 2

Serial # 1: UNKNOWN

OAN:

Value: \$0.00

Color:

Description: GOOGLE MAPS, AERIAL VIEW, OF SCENE, SHOWN TO OFC GRIFFIN

Recovered date: -

Recovered value: \$0.00

Flags: \*e

Current Location: EP BL/09052802

Flags = d (disposed) x (x-reference) n (entered on NCIC) \*e (evidence)



**SACRAMENTO POLICE DEPARTMENT**

**PUBLIC HARDCOPY**

**RELEASED PER PUBLIC RECORDS ACT REQUEST**

**GO# SA 2012-332558 CLEARED  
EXCEPTIONALLY**

**1315-19 245(A)(1)AWDW-NON-FIREARM**

**Related Property Report(s)**

**Report Information**

**Property Report #: 768302**

Property case status: **SEIZED (EVIDENCE)**

Submitted on: **Jan-16-2013 (Wed.)** by: **TRIMPEY, JR, LARRY 0806**

**Related:**

Offense: **GO SA 2012- 332558**

Related items: **2**

**Articles - Evidence**

Status: **SEIZED (EVIDENCE)**

Tag #: **SA768302- 1**

Article: **RCDISC- RADIO, TV, AND SOUND ENTERTAINMENT DEVICES**

Model:

# of pieces: **1**

Serial # 1: **UNKNOWN**

OAN:

Value: **\$0.00**

Color:

Description: **DVD OF OFC EDGERTON INTERVIEW**

Recovered date: **-**

Recovered value: **\$0.00**

Flags: **\*e**

Current Location: **EP BL/09052802**

**Articles - Evidence**

Status: **SEIZED (EVIDENCE)**

Tag #: **SA768302- 2**

Article: **YPAPER- MISCELLANEOUS**

Model:

# of pieces: **1**

Serial # 1: **UNKNOWN**

OAN:

Value: **\$0.00**

Color:

Description: **MAP SHOWN TO OFC EDGERTON**

Recovered date: **-**

Recovered value: **\$0.00**

Flags: **\*e**

Current Location: **EP BL/09052802**

Flags = d (disposed) x (x-reference) n (entered on NCIC) \*e (evidence)





**SACRAMENTO POLICE DEPARTMENT**

**PUBLIC HARDCOPY**

**RELEASED PER PUBLIC RECORDS ACT REQUEST**

**GO# SA 2012-332558 CLEARED  
EXCEPTIONALLY**

**1315-19 245(A)(1)AWDW-NON-FIREARM**

**Related Property Report(s)**

**Report Information**

**Property Report #: 775928**

Property case status: **SEIZED (EVIDENCE)**

Submitted on: **Mar-19-2013 (Tue.)** by: **CRIME LAB EVIDENCE (E&P use Only)**

**Related:**

Offense: **GO SA 2012- 332558**

Related items: **4**

**Articles - Evidence**

Status: **SEIZED (EVIDENCE)**

Tag #: **SA775928- 1**

Article: **YBLOOD- MISCELLANEOUS**

Serial # 1: **12010564016**

OAN:

Value: **\$0.00**

Color:

Description: **BLOOD COLLECTED FROM ITEM 011-LP18**

Recovered date: -

Recovered value: **\$0.00**

Flags: **\*e**

Current Location: **EP BL/09052802**

**Articles - Evidence**

Status: **SEIZED (EVIDENCE)**

Tag #: **SA775928- 2**

Article: **HSPHOON- HOUSEHOLD APPLIANCES AND HOUSEWARES**

Serial # 1: **12010564010**

OAN:

Value: **\$0.00**

Color:

Description: **ITEM LP21 SPOON FROM FLASH BANG**

Recovered date: -

Recovered value: **\$0.00**

Flags: **\*e**

Current Location: **EP BL/09052802**

**Articles - Evidence**

Status: **SEIZED (EVIDENCE)**

Tag #: **SA775928- 3**

Article: **YMISCEL- MISCELLANEOUS**

Serial # 1: **12010564009**

OAN:

Value: **\$0.00**

Color:

Description: **BULLET FRAMENTS & METAL FRAGMENTS**

Recovered date: -

Recovered value: **\$0.00**

Flags: **\*e**

Current Location: **EP BL/09052802**

**Articles - Evidence**

Status: **SEIZED (EVIDENCE)**

Tag #: **SA775928- 5**

Article: **YAMMO- MISCELLANEOUS**

Serial # 1: **UNKNOWN**

OAN:

Value: **\$0.00**

Color:

Description: **6 RDS. REMOVED FROM LP18 (#4) NUMBERED AS CYLINDER ROTATES**

Recovered date: -

Recovered value: **\$0.00**



**SACRAMENTO POLICE DEPARTMENT**

**PUBLIC HARDCOPY**

**RELEASED PER PUBLIC RECORDS ACT REQUEST**

**GO# SA 2012-332558 CLEARED  
EXCEPTIONALLY**

**1315-19 245(A)(1)AWDW-NON-FIREARM**

Flags: \*e

Current Location: **EP BL/09052802**

**Firearm - Evidence**

Status: **SEIZED (EVIDENCE)**

Tag #: **SA775928- 4**

Make: **HARRINGTON & RICHDSN**

Item: **PISTOL**

Model: **676**

Barrel length: **4.0**

Serial #: **[REDACTED]**

OAN:

Description: **REVOLVER**

Recovered date: -

Flags: \*e

Current Location: **EP HH/02020201**

Type: **REVOLVER**

Caliber: **22**

Finish: **BLK**

Value: **\$0.00**

Recovered value: **\$0.00**

Flags = d (disposed) x (x-reference) n (entered on NCIC) \*e (evidence)



# SACRAMENTO POLICE DEPARTMENT

## PUBLIC HARDCOPY

RELEASED PER PUBLIC RECORDS ACT REQUEST

GO# SA 2012-332558 CLEARED  
EXCEPTIONALLY

1315-19 245(A)(1)AWDW-NON-FIREARM

### Related Property Report(s)

#### Report Information

Property Report #: 782237

Property case status: SEIZED (EVIDENCE)

Submitted on: May-13-2013 (Mon.) by: TOEL, W 0276 ( )

#### **Related:**

Offense: GO SA 2012- 332558

Related items: 2

#### Articles - Evidence

Status: SEIZED (EVIDENCE)

Tag #: SA782237- 1

Article: RCDISC- RADIO, TV, AND SOUND ENTERTAINMENT DEVICES

Model:

# of pieces: 1

Serial # 1: NONE

OAN:

Value: \$0.00

Color:

Description: (W) ( ) INTERVIEW

Recovered date: -

Recovered value: \$0.00

Flags: \*e

Current Location: EP BL/09052802

#### Articles - Evidence

Status: SEIZED (EVIDENCE)

Tag #: SA782237- 2

Article: RCDISC- RADIO, TV, AND SOUND ENTERTAINMENT DEVICES

Model:

# of pieces: 1

Serial # 1: NONE

OAN:

Value: \$0.00

Color:

Description: (W) ( ) INTERVIEW

Recovered date: -

Recovered value: \$0.00

Flags: \*e

Current Location: EP BL/09052802

Flags = d (disposed) x (x-reference) n (entered on NCIC) \*e (evidence)



**SACRAMENTO POLICE DEPARTMENT**

**PUBLIC HARDCOPY**

**RELEASED PER PUBLIC RECORDS ACT REQUEST**

**GO# SA 2012-332558 CLEARED  
EXCEPTIONALLY**

**1315-19 245(A)(1)AWDW-NON-FIREARM**

**Related Property Report(s)**

**Report Information**

**Property Report #: 811709**

Property case status: **SEIZED (EVIDENCE)**

Submitted on: **Jan-16-2014 (Thu.)** by: **CORONER (COUNTY CRIME LAB)**

**Related:**

Offense: **GO SA 2012- 332558**

Related items: **1**

**Articles - Evidence**

Status: **SEIZED (EVIDENCE)**

Tag #: **SA811709- 1**

Article: **YCASING- MISCELLANEOUS**

Model:

# of pieces: **1**

Serial # 1: **12010564008**

OAN:

Value: **\$0.00**

Color:

Description: **PROJECTILES - CCLC# 12-010564-008**

Recovered date: -

Recovered value: **\$0.00**

Flags: **\*e**

Current Location: **EP BL/09052802**

Flags = d (disposed) x (x-reference) n (entered on NCIC) \*e (evidence)



**SACRAMENTO POLICE DEPARTMENT**

**PUBLIC HARDCOPY**

**RELEASED PER PUBLIC RECORDS ACT REQUEST**

**GO# SA 2012-332558 CLEARED  
EXCEPTIONALLY**

**1315-19 245(A)(1)AWDW-NON-FIREARM**

**Related Property Report(s)**

**Report Information**

**Property Report #: 830829**

Property case status: **SEIZED (EVIDENCE)**

Submitted on: **Jul-03-2014 (Thu.)** by: **CORONER (COUNTY CRIME LAB)**

**Related:**

Offense: **GO SA 2012- 332558**

Related items: 2

**Articles - Evidence**

Status: **SEIZED (EVIDENCE)**

Tag #: **SA830829- 1**

Article: **YTOX- MISCELLANEOUS**

Serial # 1: **UNKNOWN**

OAN:

Value: **\$0.00**

Color:

Description: **1 EA TOX BAG-KHANG-CCLC #12-05629**

Recovered date: -

Recovered value: **\$0.00**

Flags: \*e

Current Location: **EP GF/17010506**

**Articles - Evidence**

Status: **SEIZED (EVIDENCE)**

Tag #: **SA830829- 2**

Article: **YTOX- MISCELLANEOUS**

Serial # 1: **UNKNOWN**

OAN:

Value: **\$0.00**

Color:

Description: **1 EA TOX BOX-KHANG-CCLC #12-05629**

Recovered date: -

Recovered value: **\$0.00**

Flags: \*e

Current Location: **EP GF/17010506**

Flags = d (disposed) x (x-reference) n (entered on NCIC) \*e (evidence)



**SACRAMENTO POLICE DEPARTMENT**

**PUBLIC HARDCOPY**

**RELEASED PER PUBLIC RECORDS ACT REQUEST**

**GO# SA 2012-332558 CLEARED  
EXCEPTIONALLY**

**1315-19 245(A)(1)AWDW-NON-FIREARM**

**Related Property Report(s)**

**Report Information**

**Property Report #: 829968**

Property case status: **SEIZED (EVIDENCE)**

Submitted on: **Jun-26-2014 (Thu.)** by: **CORONER (COUNTY CRIME LAB)**

**Related:**

Offense: **GO SA 2012- 332558**

Related items: **1**

**Articles - Evidence**

Status: **SEIZED (EVIDENCE)**

Tag #: **SA829968- 1**

Article: **YTOX- MISCELLANEOUS**

Serial # 1: **UNKNOWN**

OAN:

Value: **\$0.00**

Color:

Description: **1 EA TISSUE SAMPLE-KHANG-CCLC #12-05629**

Recovered date: **-**

Recovered value: **\$0.00**

Flags: **\*e**

Current Location: **EP GE/19080215**

Flags = d (disposed) x (x-reference) n (entered on NCIC) \*e (evidence)



**SACRAMENTO POLICE DEPARTMENT**

**PUBLIC HARDCOPY**

**RELEASED PER PUBLIC RECORDS ACT REQUEST**

**GO# SA 2012-332558 CLEARED  
EXCEPTIONALLY**

**1315-19 245(A)(1)AWDW-NON-FIREARM**

**\*\*\* END OF HARDCOPY \*\*\***

**Report Number: 2012-332558**

Please note that the records provided in this release do not include records or portions of records that are exempt from disclosure pursuant to applicable law. Without limiting other arguments against disclosure that may exist, the following records or portions of records are specifically prohibited or exempted from disclosure:

Records or information, the disclosure of which would compromise the anonymity of whistleblowers, complainants, victims or witnesses (Cal. Pen. Code § 832.7(b)(6)(B));

Records or information, the disclosure of which would constitute an unwarranted invasion of personal privacy (Cal. Gov. Code § 7927.700; see also City of San Jose v. Superior Court (1999) 74 Cal.App.4<sup>th</sup> 1008);

Records or information, the disclosure of which would reveal personal identifying information, where, on the facts of the particular case, the public interest served by not disclosing the information clearly outweighs the public interest served by disclosure of the information (Cal. Pen. Code § 832.7(b)(7));

Records or information wherein the public interest served by not disclosing the record clearly outweighs the public interest served by disclosure (Cal. Gov. Code § 7922.000);

Records or information that constitute confidential medical, financial, or other information, the disclosure of which is specifically prohibited by federal law or would cause an unwarranted invasion of personal privacy (Cal. Pen. Code § 832.7(b)(6)(C)); and

Records or information, the disclosure of which is exempted or prohibited pursuant to federal or state law (Cal. Gov. Code § 7927.705; see also Cal. Const. art. 1 Sec. 1; Cal. Pen. Code § 15150 et seq.; and Cal. Pen. Code §§ 11105 and 13300).

Sacramento Police Department  
Professional Standards Unit  
916-808-3790  
[spdpsu@pd.cityofsacramento.org](mailto:spdpsu@pd.cityofsacramento.org)