

CALLOUTS

- ① REDUCE BENDS, FITTINGS, ETC. FOR A DISTANCE EQUAL TO 10X THE DIA. OF THE PIPE. SIMILAR ON BOTH SIDES OF SENSOR
- ② PRE-CAST CONCRETE VALVE BOX WITH BOLT DOWN COVER AND BOX EXTENSION IF REQUIRED. REFER TO SPECIFICATIONS.
- ③ PIGTAIL EXPANSION LOOP (18" MIN. LOOP)
- ④ FLOW SENSOR
- ⑤ FINISH GRADE
- ⑥ COMMUNICATION CABLE. RETURN TO CONTROLLER IN 1" GREY SCH. 40 PVC CONDUIT
- ⑦ SCH. 80 PVC FLANGES TYP. (2) PLACE
- ⑧ SCH. 80 PVC UNION DOWNSTREAM OF VALVE
- ⑨ BRICK OR CINDER BLOCK TYP. (2) PLACES
- ⑩ PLACE $\frac{3}{4}$ " DIA DRAIN ROCK AT BASE OF VALVE BOX PRIOR TO INSTALLATION.

NOTES:

1. INSTALL FLOW SENSOR A MINIMUM OF 12" FROM ANY STRUCTURES OR HARDSCAPE.
2. INSTALL FLOW SENSOR IN PLANTING BEDS WHEREVER POSSIBLE
3. PLACE VALVE BOX AT RIGHT ANGLES TO STRUCTURES OR HARDSCAPES.
4. INSTALL VALVE BOX SO THAT TOP OF VALVE BOX IS FLUSH WITH FINISH GRADE OF ADJACENT HARDSCAPING.

REV.	DATE	DESCRIPTION
△		
△		
△		

CITY OF SACRAMENTO

Department of Youth, Parks and Community Enrichment

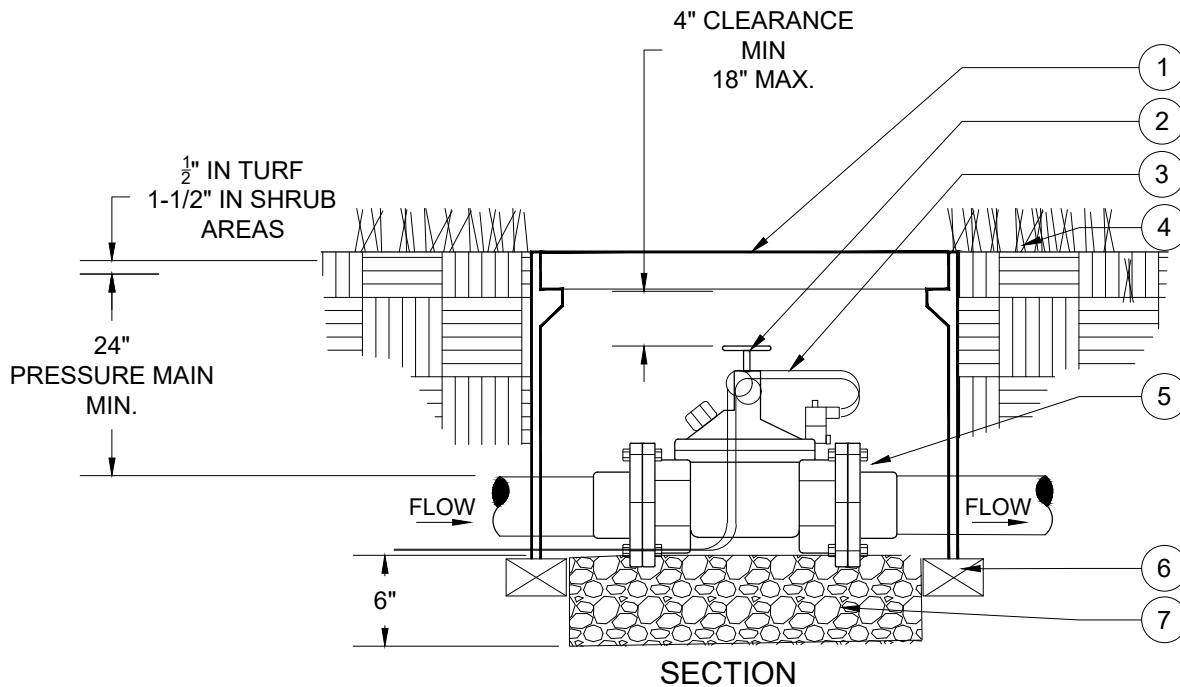
SINGLE FLOW SENSOR

APPR'D BY: *J. D. Win*

DATE: APRIL 2020

DWG. NO.

L-100



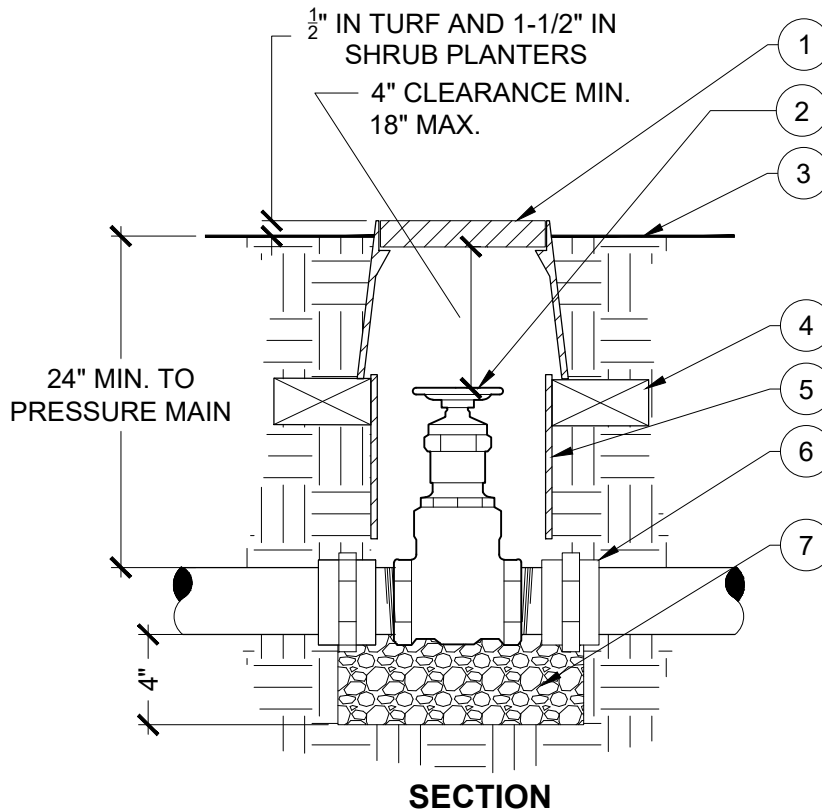
CALLOUTS

- ① CONCRETE UTILITY BOX (12" X 20") WITH BOLT DOWN CAST IRON LID. BOX EXTENSION IF REQUIRED.
- ② MASTER CONTROL VALVE
- ③ CONTROL AND COMMON WIRES EXPANSION LOOP (18" MIN.)
- ④ FINISH GRADE
- ⑤ SCH 40 PVC FLANGES, (2) PLACES TYP.
- ⑥ BRICK, MINIMUM (2) PER BOX, TYP.
- ⑦ 3/4" DIAMETER DRAIN ROCK

NOTES

- 1. INSTALL FLOW SENSOR A MINIMUM OF 12" FROM ANY STRUCTURES OR HARDSCAPE.
- 2. INSTALL FLOW SENSOR IN PLANTING BEDS WHEREVER POSSIBLE
- 3. PLACE VALVE BOX AT RIGHT ANGLES TO STRUCTURES OR HARDSCAPES.
- 4. INSTALL VALVE BOX SO THAT TOP OF VALVE BOX IS FLUSH WITH FINISH GRADE OF ADJACENT HARDSCAPING.

REV.	DATE	DESCRIPTION
△		
△		
△		



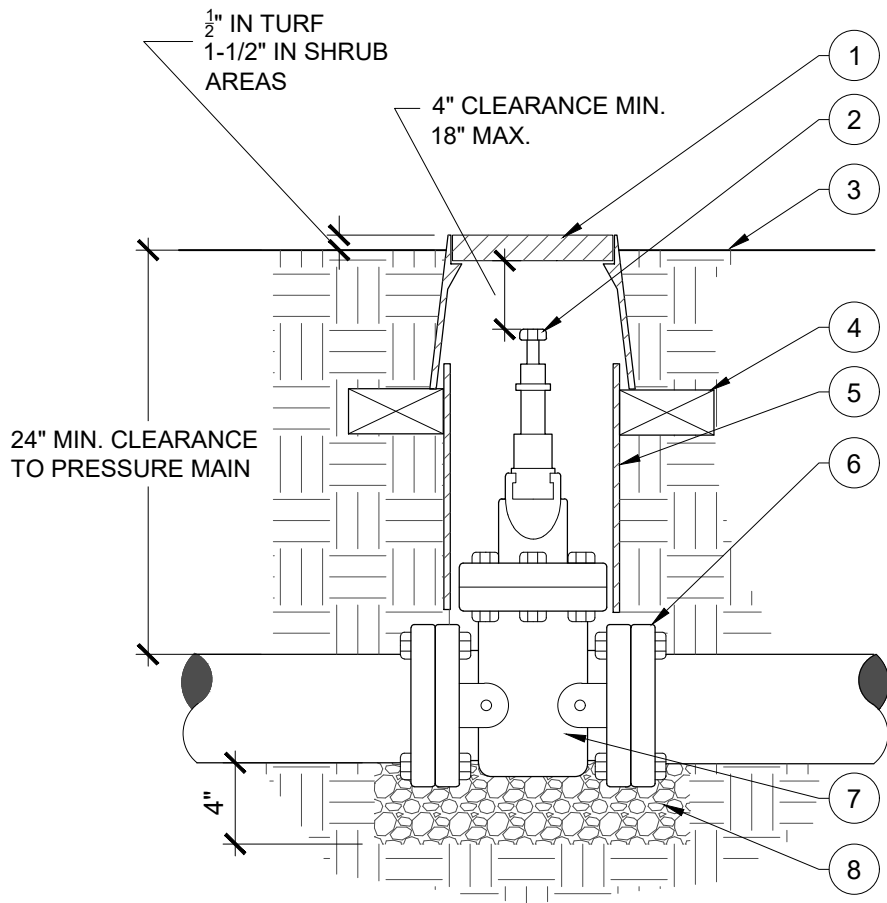
CALLOUTS

- ① 10" ROUND CONCRETE VALVE BOX AND COVER LABELED WATER, W/ BOX EXTENSIONS AS REQUIRED.
- ② GATE VALVE BRONZE OR CAST IRON HANDWHEEL. SEE PLANS AND SPECIFICATIONS FOR MANUFACTURER AND MODEL NUMBER.
- ③ FINISH GRADE
- ④ BRICK, TYPICAL. (2) PLACES.
- ⑤ 10" DIAMETER SCHEDULE 40 PVC.
- ⑥ SCHEDULE 80 PVC UNION, TYPICAL. (2) PLACES.
- ⑦ $\frac{3}{4}$ " DIA. DRAINAGE ROCK

NOTES

- 1. INSTALL GATE VALVES A MINIMUM OF 24" FROM STRUCTURES OR HARDSCAPE.
- 2. INSTALL GATE VALVES IN PLANTING BEDS WHEREVER POSSIBLE.
- 3. DOMESTIC GATE VALVES SHALL BE LEAD FREE ONLY.
- 4. VALVE SIZE SHALL BE EQUAL WITH THE MAINLINE SIZE UNLESS LABELED OTHERWISE.

REV.	DATE	DESCRIPTION
△		
△		
△		



SECTION

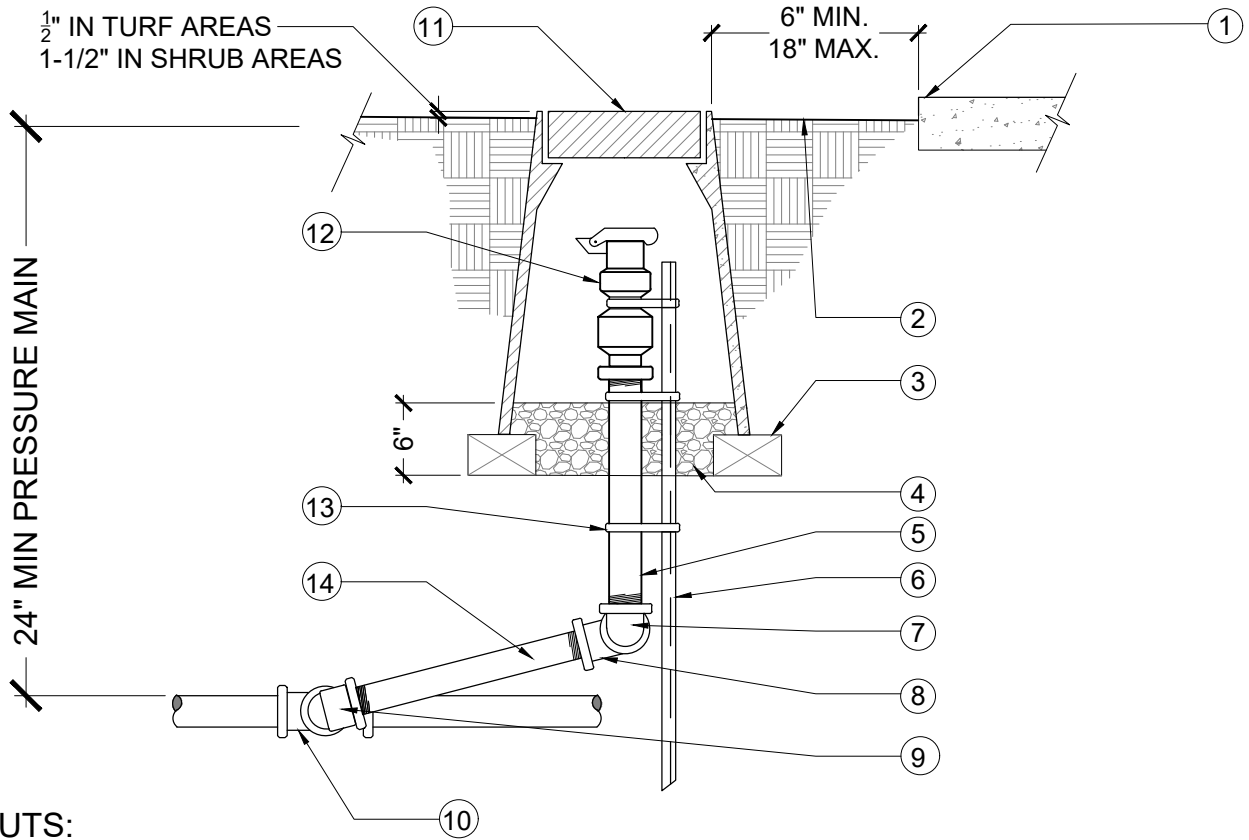
CALLOUTS

- ① 10" ROUND CONCRETE VALVE BOX AND COVER LABELED WATER, W/ BOX EXTENSIONS AS REQUIRED.
- ② GATE VALVE W/ 2" OPERATING NUT - SEE PLANS AND SPECIFICATIONS FOR MANUFACTURER AND MODEL NUMBER.
- ③ FINISH GRADE.
- ④ BRICK, TYPICAL. (2) PLACES.
- ⑤ 10" SCHEDULE 40 PVC.
- ⑥ SCHEDULE 40 PVC FLANGES, TYPICAL. (2) PLACES.
- ⑦ VALVE SIZE SHALL BE EQUAL WITH THE MAINLINE SIZE UNLESS LABELED OTHERWISE.
- ⑧ 3/4" DIA. DRAIN ROCK.

NOTES

1. INSTALL GATE VALVES A MINIMUM OF 24" FROM STRUCTURES OR HARDSCAPE.
2. INSTALL GATE VALVES IN PLANTING BEDS WHEREVER POSSIBLE.
3. DOMESTIC GATE VALVES SHALL BE LEAD FREE ONLY.
4. VALVE SIZE SHALL BE EQUAL WITH THE MAINLINE SIZE UNLESS LABELED OTHERWISE.

REV.	DATE	DESCRIPTION
△		
△		
△		



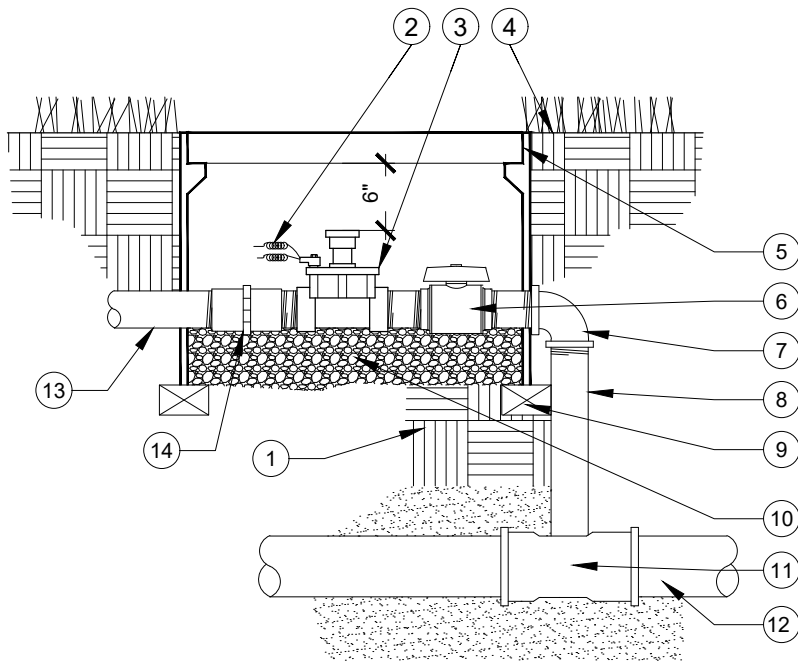
CALLOUTS:

- ① STRUCTURE OR PAVING
- ② FINISH GRADE BEFORE PLANTING.
- ③ BRICK SUPPORT, TYPICAL (2) PLACES.
- ④ 3/4" DIA. DRAIN ROCK.
- ⑤ SCHEDULE 80 PVC THREADED NIPPLE, 12" LONG.
- ⑥ #5 REBAR ANGLE IRON, 36" LONG.
- ⑦ SCHEDULE 80 PVC 90 DEGREES 127 ELL (FIPTxMIPT).
- ⑧ SCHEDULE 80 PVC 90 DEGREES 127 ELL (FIPTxMIPT).
- ⑨ SCHEDULE 80 PVC 90 DEGREES 127 ELL (FIPTxMIPT).
- ⑩ SCHEDULE 80 PVC TEE (SLIPxSLIPxFIPT).
- ⑪ 10" ROUND PLASTIC VALVE BOX WITH LOCKING COVER.
- ⑫ QUICK COUPLING VALVE, SEE PLANS OR SPECS FOR MANUFACTURER AND MODEL NUMBER.
- ⑬ STAINLESS STEEL HOSE CLAMPS, MINIMUM OF (3) PLACES.
- ⑭ SCHEDULE 80 PVC THREADED NIPPLE, 12" LONG.

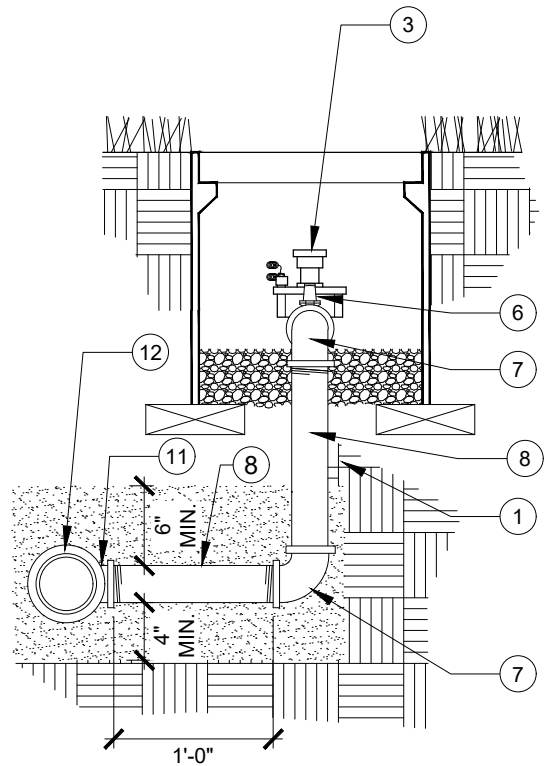
NOTES:

1. INSTALL QUICK COUPLING VALVES IN PLANTING BEDS WHEREVER POSSIBLE.
2. SEE PLAN & SPECIFICATIONS FOR MORE INFORMATION.
3. SIZE OF ASSEMBLY TO BE EQUAL TO THE FIPT OF THE QUICK COUPLER.

REV.	DATE	DESCRIPTION
△		
△		
△		



SECTION - FRONT VIEW



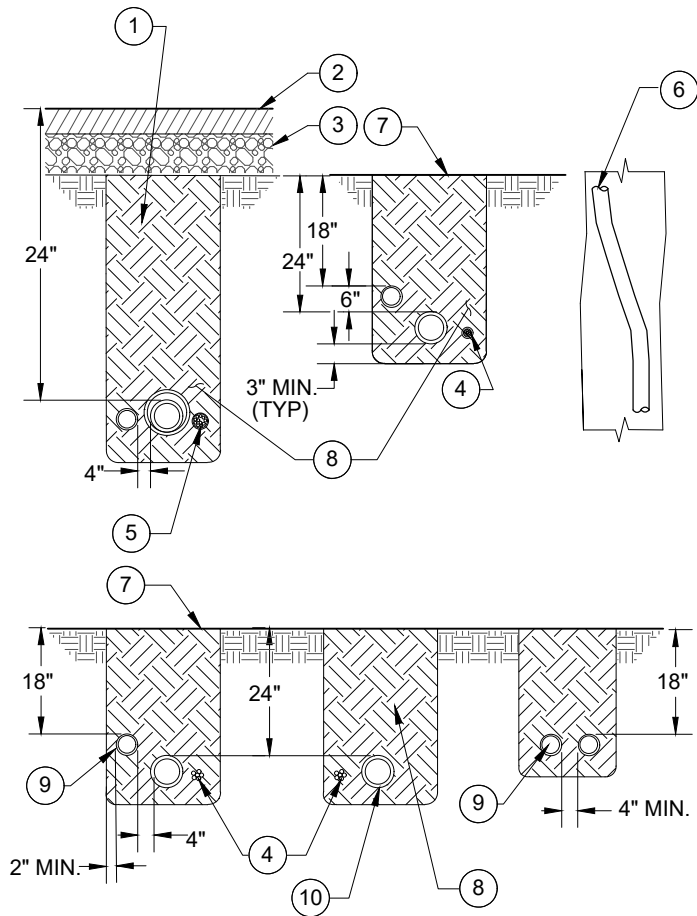
SECTION - SIDE VIEW

CALLOUTS:

- ① SOIL IN IRRIGATION MAIN AND LATERAL LINES SHALL BE COMPACTED IN 6" LIFT WITH EACH LIFT COMPACTED TO 85% R.D. IN LANDSCAPED AREAS AND 95% R.D. IN PAVING AREAS.
- ② VALVE CONTROL WIRE PROVIDE "3M DBY" SEAL PACKS AT ALL SPLICES & 36" OF EXCESS UF WIRE IN A 1" DIA. COIL.
- ③ REMOTE CONTROL VALVE.
- ④ FINISH GRADE.
- ⑤ 13" X 20" JUMBO RECTANGULAR LOCKING VALVE BOX.
- ⑥ FULL PORT 1/4 TURN PVC BALL VALVE.

- ⑦ SCH. 80 PVC 90 DEGREE ELL.
- ⑧ SCH. 80 PVC NIPPLE.
- ⑨ BRICK - TYP (4) PER BOX
- ⑩ 3/4" DIA. DRAIN ROCK
- ⑪ SCH. 80 PVC TEE.
- ⑫ PVC MAIN LINE.
- ⑬ IRRIGATION SUPPLY LINE.
- ⑭ SCH. 40 UNION.

REV.	DATE	DESCRIPTION
△		
△		
△		



KEYNOTES

- ① 6" COMPACTED LIFTS 95% R.D. IN PAVING AREAS
- ② HARDSCAPE MATERIAL
- ③ BASE MATERIAL
- ④ IRRIGATION CONTROL WIRES
- ⑤ IRRIGATION CONTROL WIRES IN CONDUIT UNDER PAVED AREAS
- ⑥ SNAKE ALL PIPES IN TRENCHING
- ⑦ FINISH GRADE
- ⑧ EXCAVATED FILL COMPACTED IN 6" LIFTS AT 85% R.D. IN LANDSCAPE AREAS AND 95% R.D. IN PAVING AREAS
- ⑨ LATERAL PIPE (TYP)
- ⑩ IRRIGATION MAINLINE (TYP)

REV.	DATE	DESCRIPTION
△		
△		
△		

CITY OF SACRAMENTO

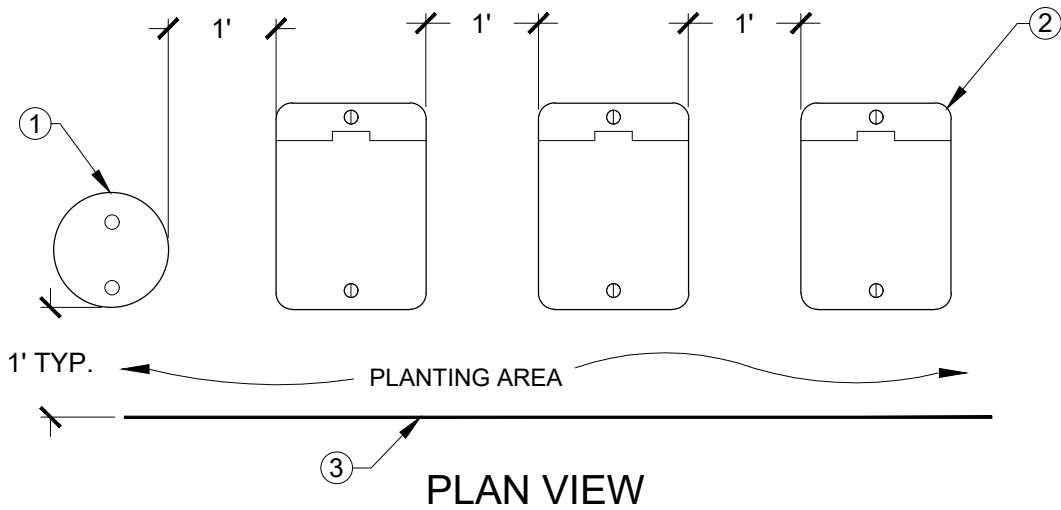
Department of Youth, Parks and Community Enrichment

TRENCH

APPR'D BY: *J. D. Win*

DATE: APRIL 2020

DWG. NO. L-106



CALLOUTS

- ① 10" ROUND LOCKING VALVE BOX
- ② 13" X 20" JUMBO RECTANGLE LOCKING VALVE BOX
- ③ EDGE OF STRUCTURE, HARDSCAPE, ETC.

NOTES

1. CENTER BOXES OVER VALVES.
2. INSTALL BOXES IN PLANTER BED WHEREVER POSSIBLE.
3. SET BOXES PARALLEL TO EACH OTHER AND PERPENDICULAR TO EDGE.
4. AVOID EXCESSIVE COMPACTION SOIL AROUND BOXES TO PREVENT DAMAGING VALVE BOXES.

REV.	DATE	DESCRIPTION
△		
△		
△		

CITY OF SACRAMENTO

Department of Youth, Parks and Community Enrichment

VALVE BOX

APPR'D BY: *J. Davis*

DATE: APRIL 2020

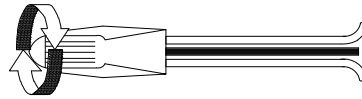
DWG. NO.

L-107

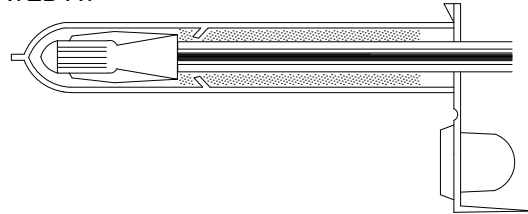
STEP 1: STRIP WIRES 1/2" FROM ENDS.



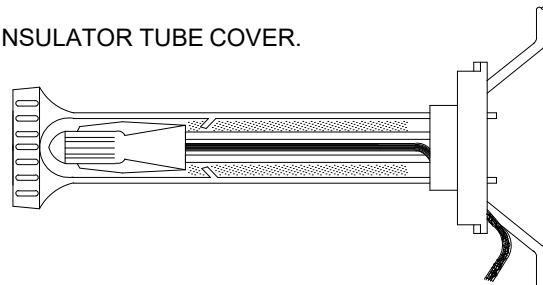
STEP 2: APPLY SCOTCHLOK SPRING CONNECTOR IN A CLOCKWISE DIRECTION.



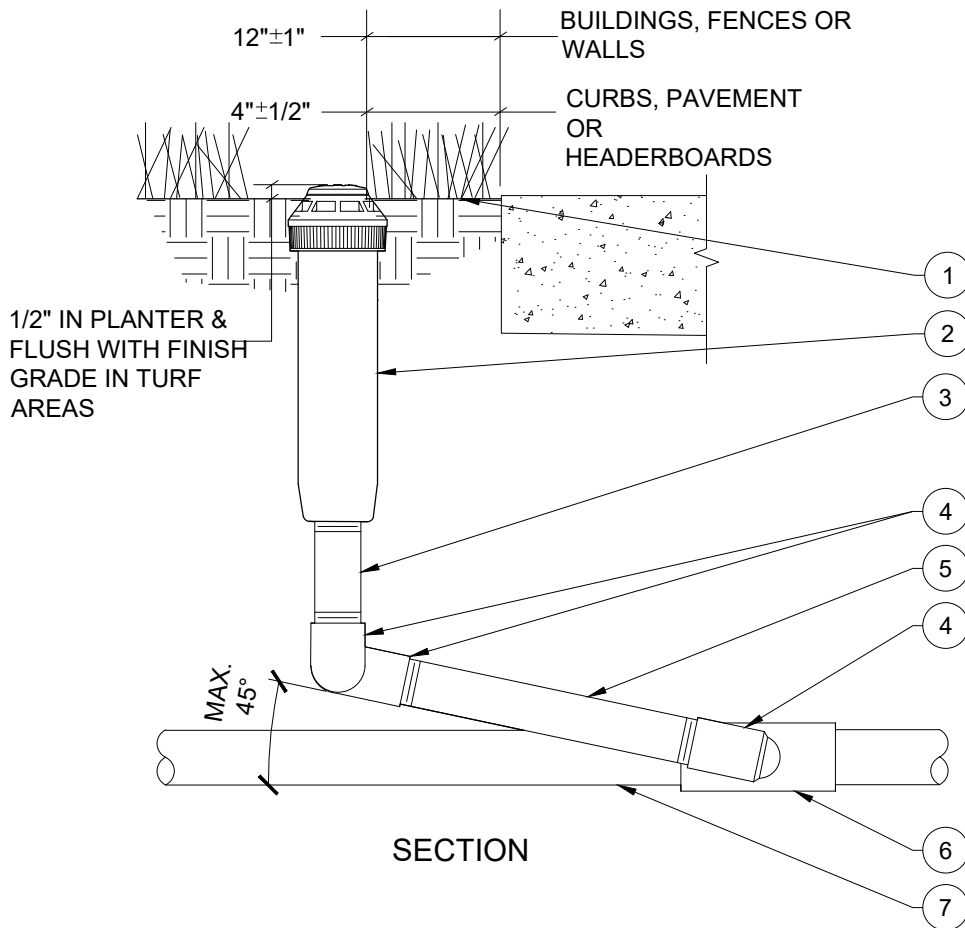
STEP 3: INSERT SPLICE TO BOTTOM OF GEL-FILLED TUBE. CHECK TO MAKE SURE CONNECTOR HAS BEEN PUSHED PAST LOCKING FINGERS AND IS SEATED AT BOTTOM OF TUBE.



STEP 4: POSITION WIRES IN WIRE CHANNELS AND CLOSE INSULATOR TUBE COVER.



REV.	DATE	DESCRIPTION
△		
△		
△		



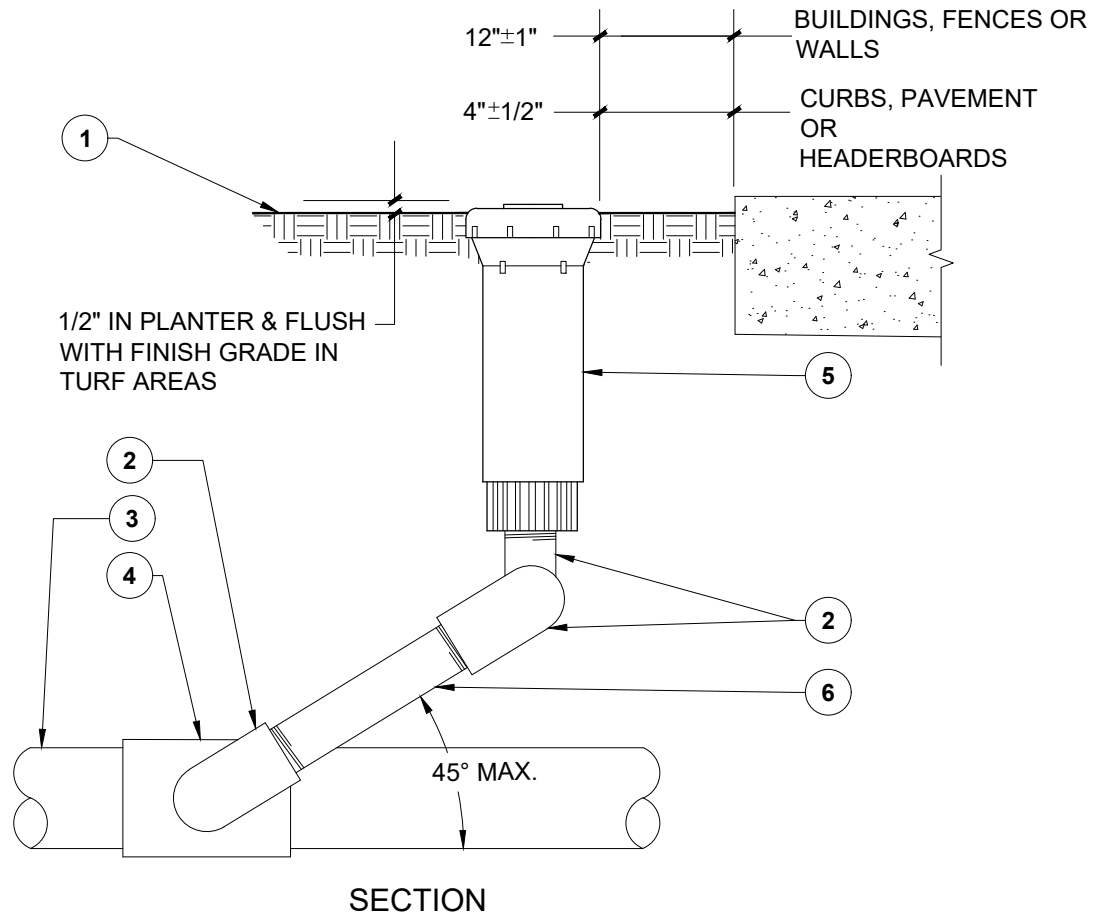
CALLOUTS

- ① FINISH GRADE.
- ② ROTOR POP-UP SPRINKLER.
- ③ PVC SCH. 40 NIPPLE (LENGTH AS REQUIRED).
- ④ MARLEX STREET ELL.
- ⑤ PVC SCH. 40 NIPPLE. (LENGTH AS REQUIRED).
- ⑥ PVC SCH. 40 TEE OR ELL.
- ⑦ PVC LATERAL PIPE.

NOTE

- 1. SPRAY HEADS LOCATED ADJACENT TO ROADWAYS AND PARKING LOTS SHALL BE LOCATED 24" FROM EDGE OF HARDSCAPE.

REV.	DATE	DESCRIPTION
△		
△		
△		



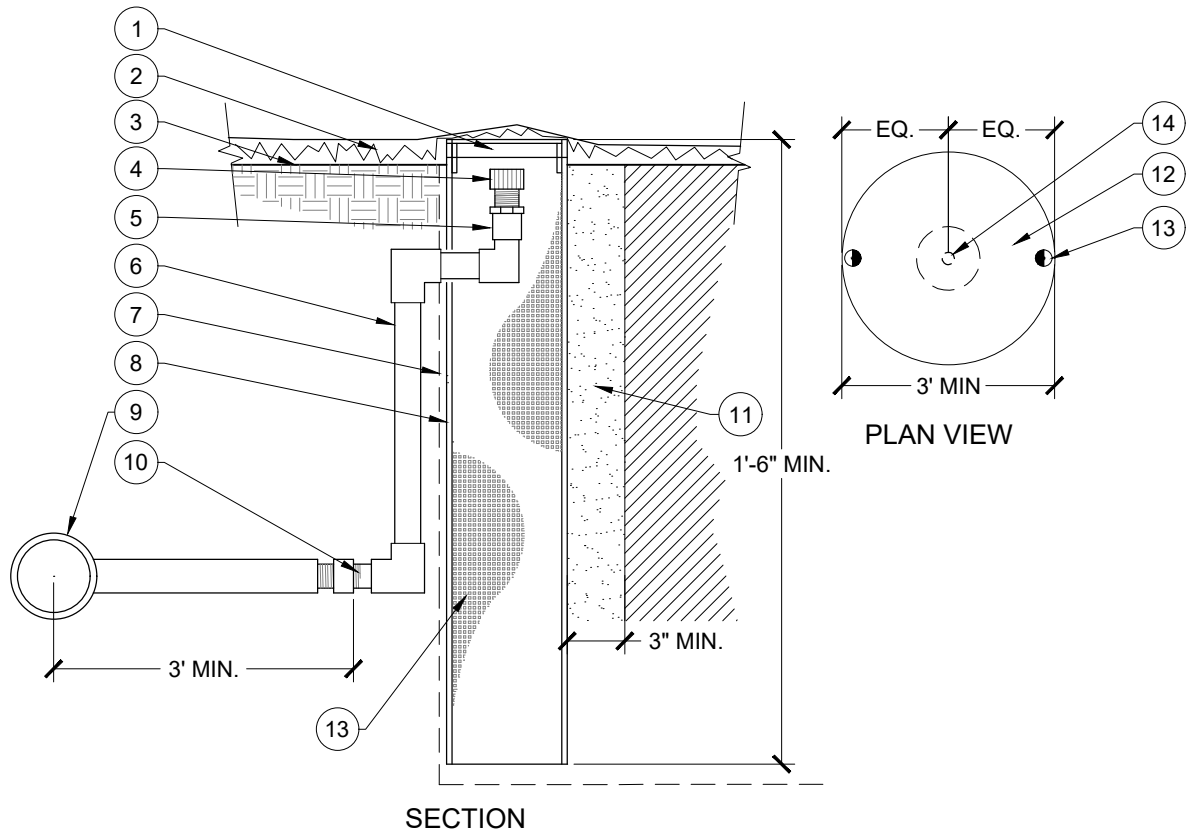
CALLOUTS

- ① FINISH GRADE.
- ② MARLEX STREET ELLS.
- ③ IRRIGATION LATERAL.
- ④ PVC SCHEDULE 40, 90 DEGREE ELL (SxT) OR TEE (SxSxT)
- ⑤ POP-UP SPRAY HEAD.
- ⑥ PVC SCHEDULE 40 NIPPLE. (LENGTH AS REQUIRED).

NOTE

1. SPRAY HEADS LOCATED ADJACENT TO ROADWAYS AND PARKING LOTS SHALL BE LOCATED 24" FROM EDGE OF HARDSCAPE.

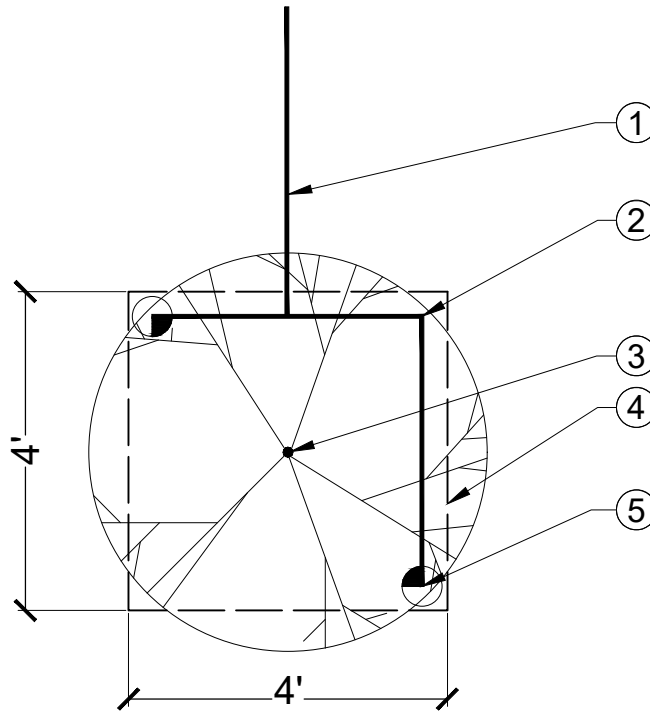
REV.	DATE	DESCRIPTION
△		
△		
△		



CALLOUTS

- ① GRATED CAP
- ② BARK MULCH.
- ③ FINISH GRADE.
- ④ BUBBLER HEAD.
- ⑤ CHECK VALVE (T X T)
- ⑥ SWING JOINT
- ⑦ TREE PIT WALL BUBBLER SLEEVE
- ⑧ PVC SCHEDULE 40 TEE (SXSXT) OR 90 DEGREE ELL (SXT), CONNECTED TO IRRIGATION LATERAL.
- ⑨ IRRIGATION LATERAL LINE
- ⑩ 1/2" PVC SCHEDULE 40 MALE ADAPTER.
- ⑪ ROOTBALL.
- ⑫ WATER BASIN
- ⑬ TREE BUBBLER (TWO PER TREE)
- ⑭ TREE TRUNK

REV.	DATE	DESCRIPTION
△		
△		
△		



KEYNOTES

- ① IRRIGATION LATERAL LINE CONNECTION
- ② TYPICAL PIPE ROUTING (SUBJECT TO FIELD ADJUSTMENTS)
- ③ TREE PER TYPICAL TREE PLANTING DETAIL
- ④ PLANTING BOUNDARY NO PLANTS TO BE PLANTED WITHIN 2' OF TRUNK
- ⑤ LOW FLOW TECHNOLOGY NOZZLES PER SPRAY HEAD STANDARD DETAIL (PLACED ON OPPOSITE SIDES OF TREE)

NOTES

1. SCH 40 PVC FITTINGS TYP.
2. FOLLOW TREE PLANTING DETAIL FOR EXCAVATION, BACKFILL AND MULCHING.

REV.	DATE	DESCRIPTION
△		
△		
△		

CITY OF SACRAMENTO

Department of Youth, Parks and Community Enrichment

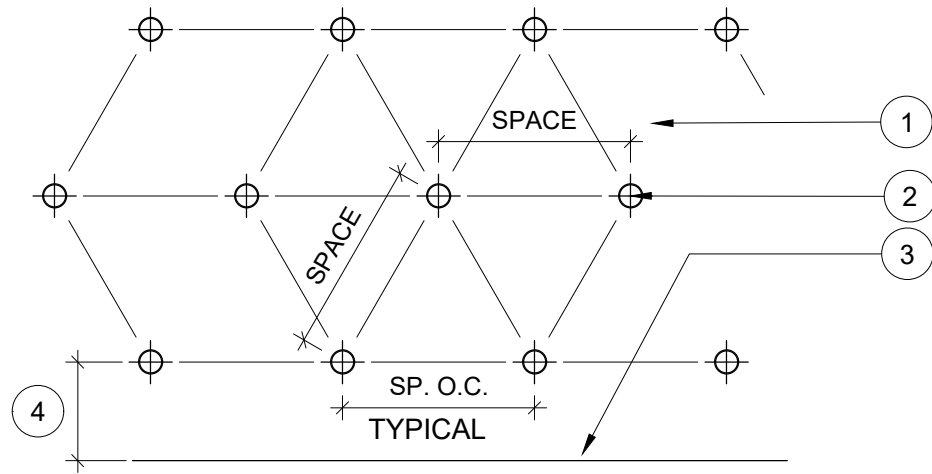
TREE SPRAY HEAD LAYOUT

APPR'D BY:

J. Davis

DATE: APRIL 2020

DWG. NO. L-112



PLAN VIEW

CALLOUTS

- ① GROWDCOVER SPACING: SEE PLANTING LEGEND.
- ② GROWDCOVER CENTERS.
- ③ WALL, SIDEWALK OR EDGE OR GROWDCOVER PLANTING.
- ④ HALF SPACE OF THE GROWDCOVER SPACING OR AS SPECIFIED ON THE PLANS.

NOTES

1. RIP OR SCARIFY TOP 12" OF SUBGRADE PRIOR TO PLANTING.
2. ADD AMENDMENTS AND FERTILIZER PER SOILS REPORT.
3. ROTOTILL AMENDMENTS AND FERTILIZER INTO TOP 12" OF TOPSOIL OR PER SOILS REPORT.
4. PLANT GROWDCOVER: TRIANGULAR SPACING.
5. BARK MULCH, MULCH SHALL NOT COVER ROOT CROWN

REV.	DATE	DESCRIPTION
△		
△		
△		

CITY OF SACRAMENTO

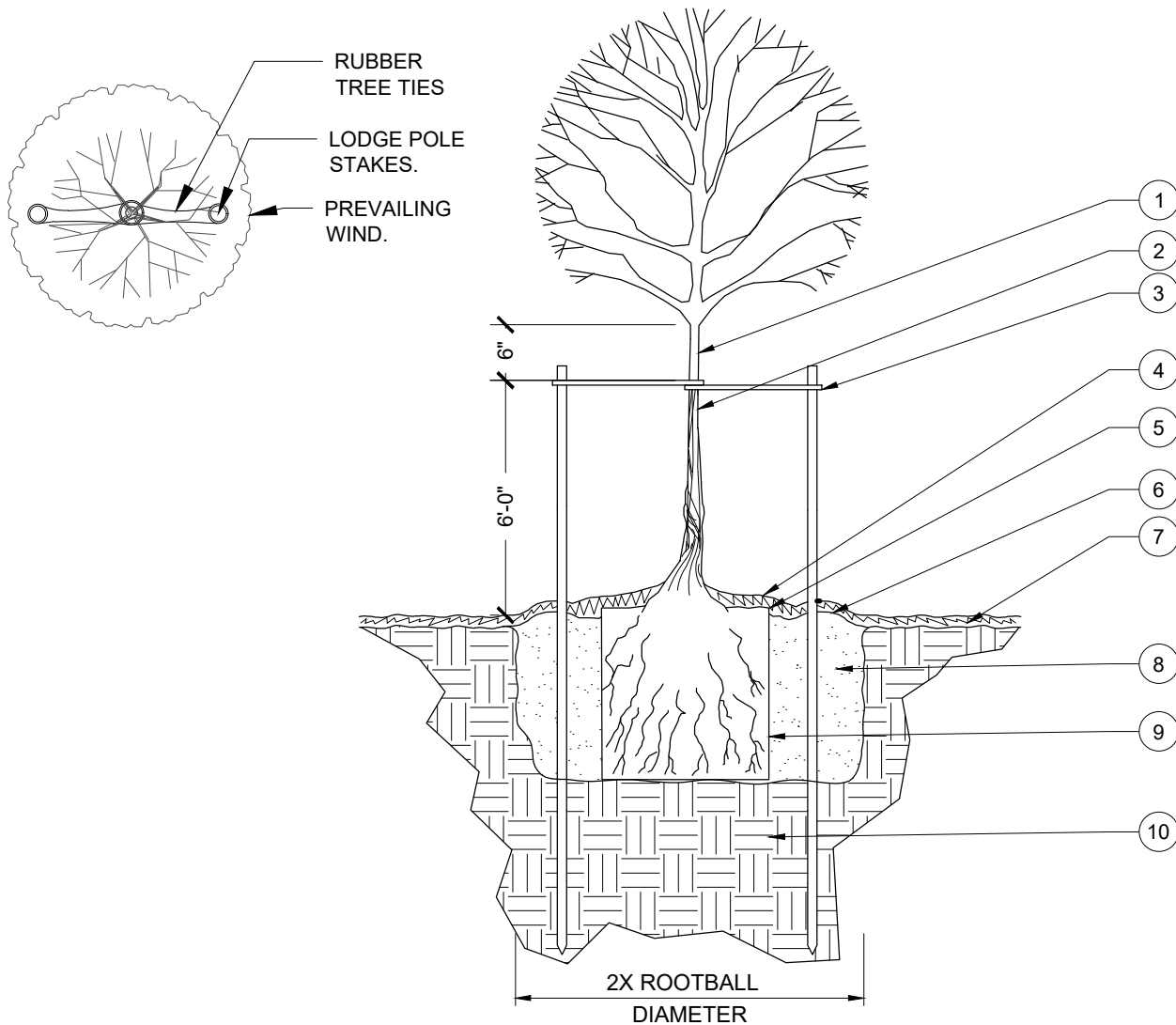
Department of Youth, Parks and Community Enrichment

GROUNDCOVER PLANTING

APPR'D BY:

DATE: APRIL 2020

DWG. NO. L-200

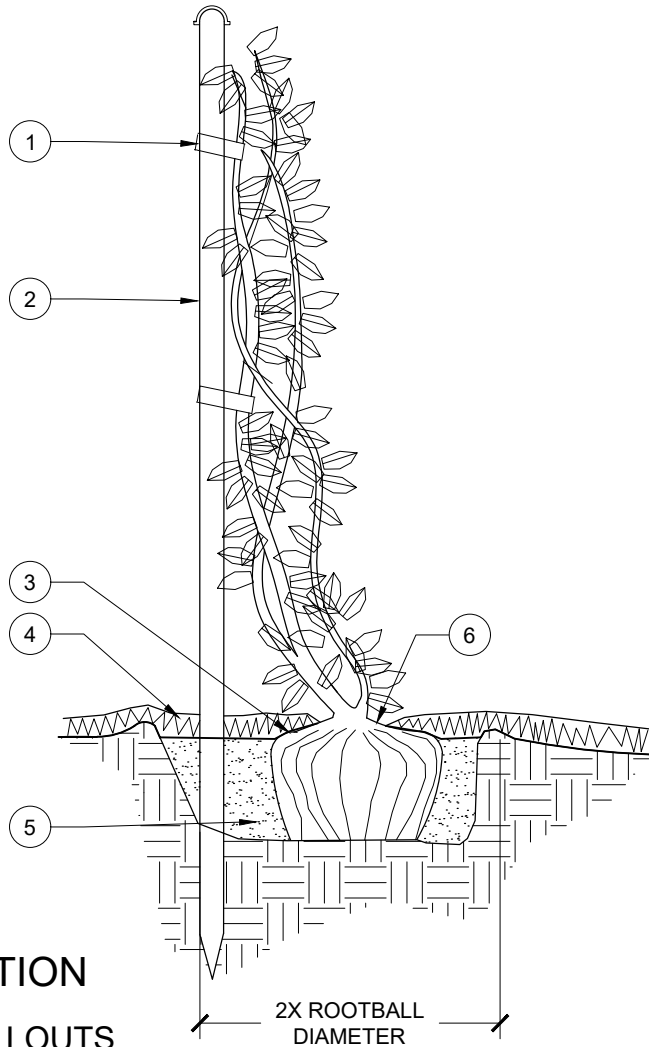


SECTION

CALLOUTS

- ① TREE
- ② REMOVE NURSERY STAKE.
- ③ VINYL OR NON-ABRASIVE RUBBER TREE TIES: 2 PER STAKE. WRAP NO WIRE AROUND TRUNK OR LIMB.
- ④ BARK MULCH, NO MORE THAN 1" OF MULCH ON TOP OF ROOT BALL. KEEP TRUNK BASE CLEAR OF BARK
- ⑤ TOP OF ROOT BALL SHALL BE A MINIMUM OF 1" ABOVE FINISHED GRADE.
- ⑥ 4" HIGH EARTH WATERING BERM IN PLANTER AREA ONLY. BERM SHALL BEGIN AT ROOT BALL PERIPHERY.
- ⑦ FINISH SURROUNDING GRADE.
- ⑧ LOOSENED NATIVE SOIL, PER STANDARD SPECIFICATIONS.
- ⑨ ROOTS SHALL BE LOOSENED, SCORED, AND UNTANGLED PRIOR TO PLACING ROOT BALL IN HOLE.
- ⑩ UNDISTURBED OR COMPACTED SOIL.

REV.	DATE	DESCRIPTION
△		
△		
△		

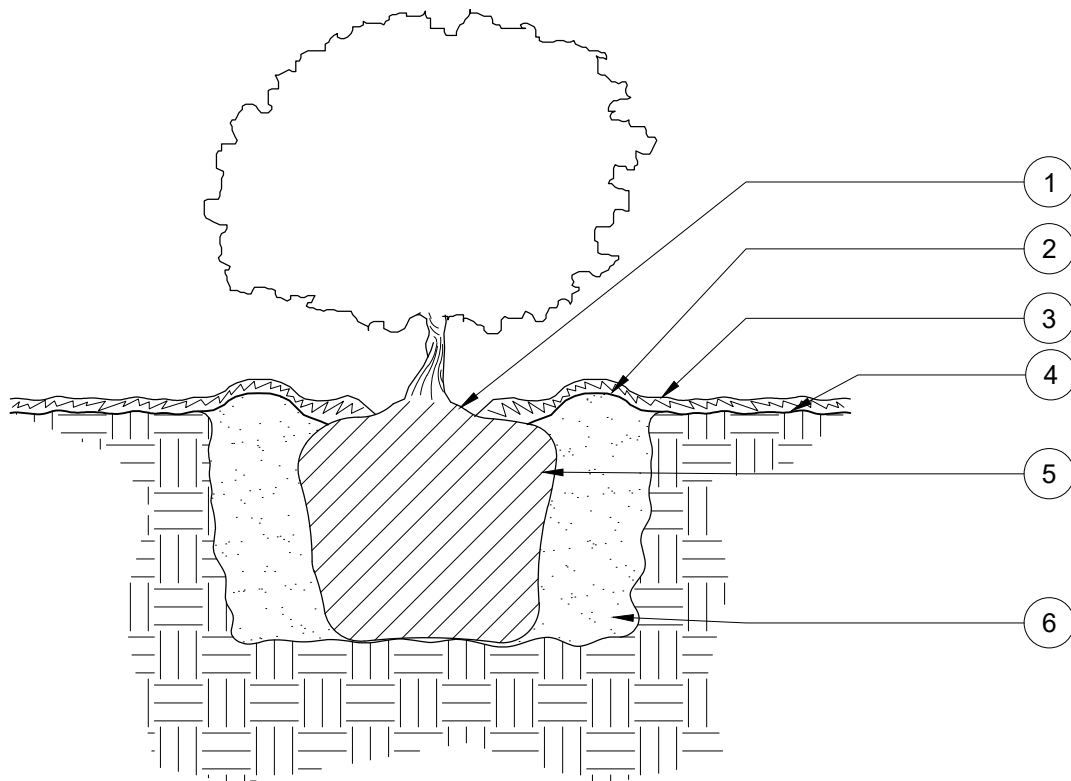


SECTION

CALLOUTS

- ① TIES OR FASTENERS FOR SUPPORT AS NEEDED.
- ② ATTACH TO WALL OR TRELLIS.
- ③ SET ROOT CROWN 1" ABOVE BACKFILL.
- ④ BARK MULCH, KEEP ROOT CROWN CLEAR OF MULCH
- ⑤ SOIL AMENDMENTS, PER STANDARD SPECIFICATIONS.
- ⑥ ROOT CROWN, PULL BARK MULCH AWAY FROM ROOT CROWN

REV.	DATE	DESCRIPTION
△		
△		
△		



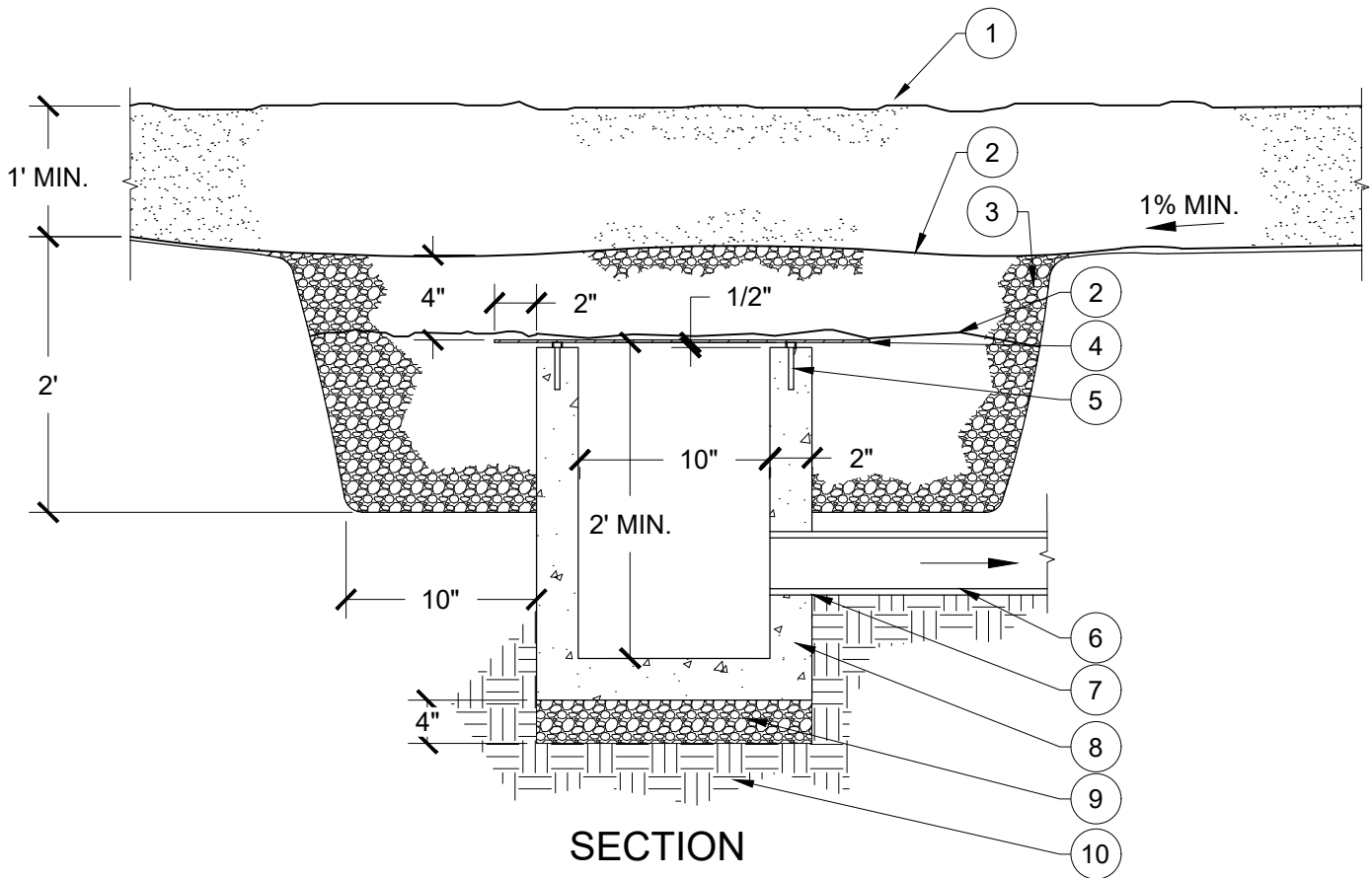
2x ROOTBALL
DIAMETER

SECTION

CALLOUTS

- ① PLANT ROOT CROWN 1" ABOVE FINISH GRADE.
- ② 2" HIGH EARTH MOUND. FINISH GRADE
- ③ BARK MULCH, MULCH SHALL NOT COVER ROOT CROWN.
- ④ FINISH GRADE.
- ⑤ SHRUB ROOTBALL.
- ⑥ BACKFILL MIX, PER STANDARD SPECIFICATIONS.

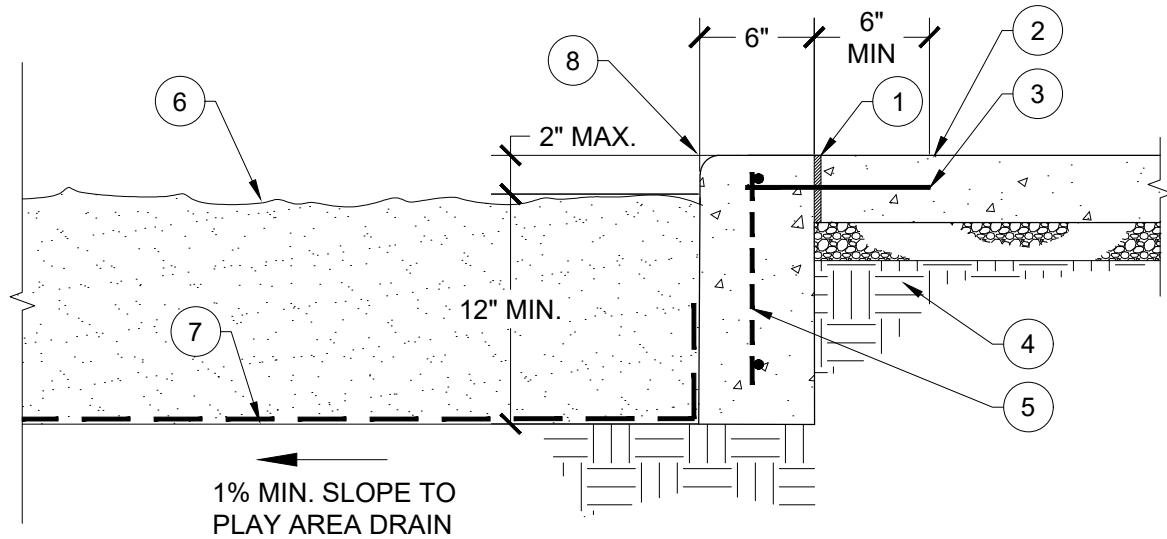
REV.	DATE	DESCRIPTION
△		
△		
△		



CALLOUTS:

- ① PLAY AREA SURFACE
- ② GEOTEXTILE FABRIC PER SPECIFICATIONS
- ③ 3/4" DIA. DRAIN ROCK
- ④ 3/16" GALVANIZED STEEL COVER
- ⑤ 1/2" Ø X 4" GALV. STEEL BOLT (TYP. OF 4)
- ⑥ DRAIN PIPE PER PLANS AND SPECIFICATIONS
- ⑦ GROUT SHALL BE NON-SHRINK EPOXY GROUT
- ⑧ SQUARE CATCH BASIN MAY BE POURED IN PLACE OR PRECAST.
- ⑨ 3/4" DIA. DRAIN ROCK
- ⑩ COMPACTED SUBGRADE OR UNDISTURBED SOIL.

REV.	DATE	DESCRIPTION
△		
△		
△		



SECTION

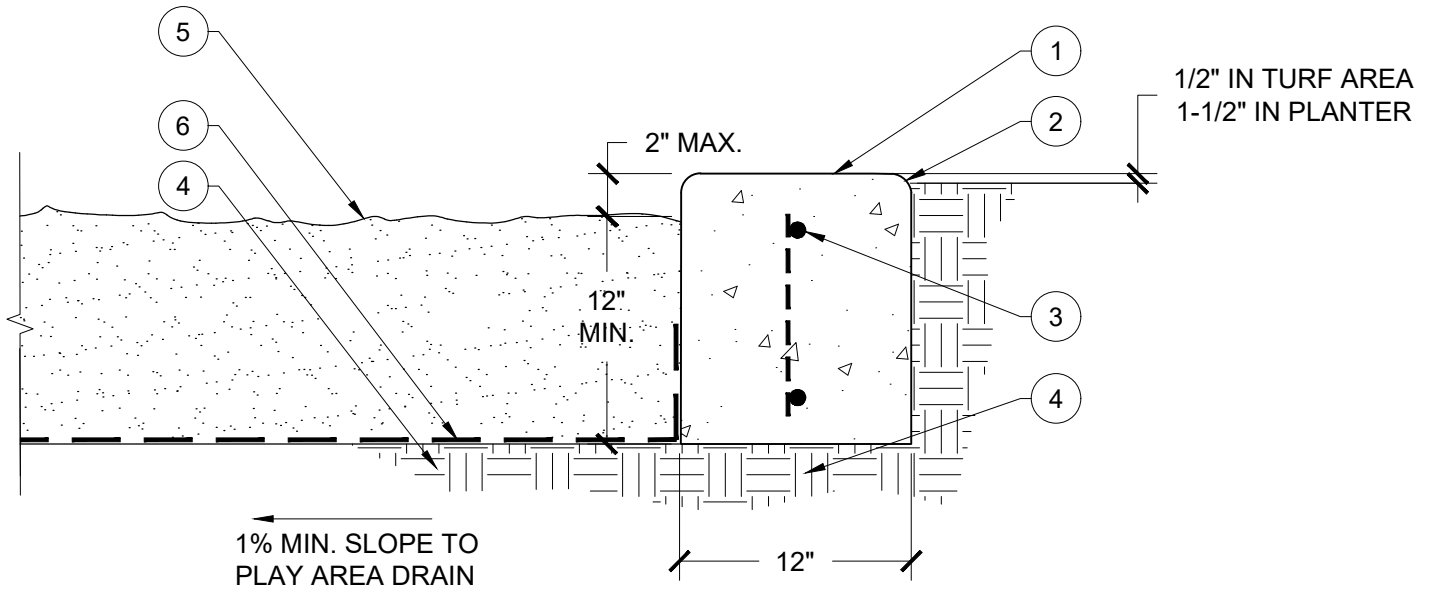
CALLOUTS

- ① EXPANSION JOINT
- ② CONCRETE PAVING
- ③ 12" SMOOTH DOWEL AT 24" O.C. W/ SLEEVE
- ④ COMPACTED SUBGRADE OR UNDISTURBED SOIL.
- ⑤ #4 REBAR 24" O.C. VERTICALLY AND TWO ROWS RUNNING HORIZONTAL ENTIRE DISTANCE OF CURB.
- ⑥ ENGINEERED WOOD FIBER
- ⑦ GEOTEXTILE FABRIC, TURN UP EDGES 6"
- ⑧ TOOLED EDGE 1" MIN. RADIUS.

NOTES:

- 1. PROVIDE EXPANSION JOINTS AT 20' ON CENTER.

REV.	DATE	DESCRIPTION
△		
△		
△		



SECTION

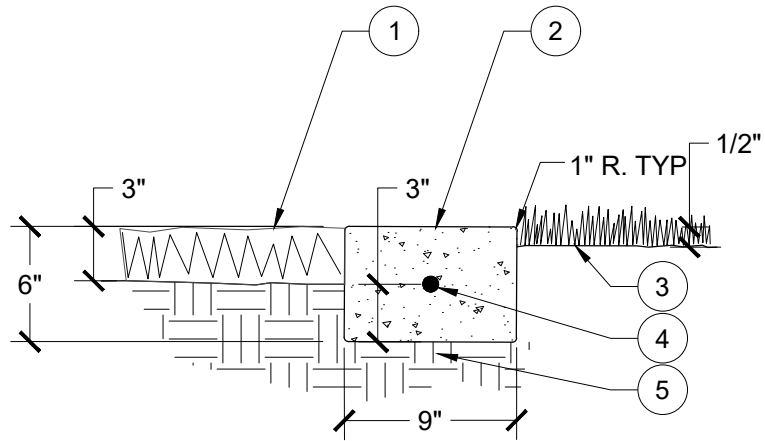
CALLOUTS

- ① 12" CONCRETE PLAY AREA CURB
- ② TOOLED EDGE, 1" MIN. RADIUS
- ③ #4 REBAR, TWO HORIZONTAL ROWS AND VERTICAL ROW 24" ON CENTER.
- ④ COMPACTED SUBGRADE OR UNDISTURBED SOIL.
- ⑤ ENGINEERED WOOD FIBER
- ⑥ GEOTEXTILE FABRIC, TURN UP EDGES 6"

NOTES

- 1. PROVIDE EXPANSION JOINTS AT 20' ON CENTER.

REV.	DATE	DESCRIPTION
△		
△		
△		



SECTION

CALLOUTS

- ① BARK MULCH, REFER TO SPECIFICATIONS
- ② CONCRETE MOW CURB
- ③ FINISH GRADE
- ④ #4 REBAR
- ⑤ COMPACTED SUBGRADE OR UNDISTURBED SOIL.

NOTES

- 1. EXPANSION JOINTS SHALL BE INSTALLED AT EVER 20' O.C. AND SCORE JOINTS AT 10' O.C.

REV.	DATE	DESCRIPTION
△		
△		
△		

CITY OF SACRAMENTO

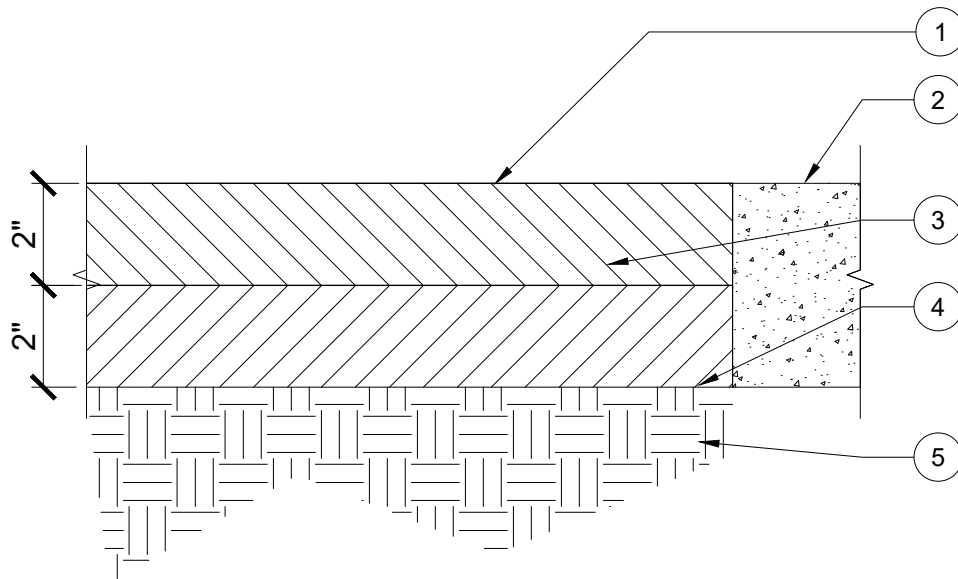
Department of Youth, Parks and Community Enrichment

9" CONCRETE MOW CURB

APPR'D BY:

DATE: APRIL 2020

DWG. NO. L-400

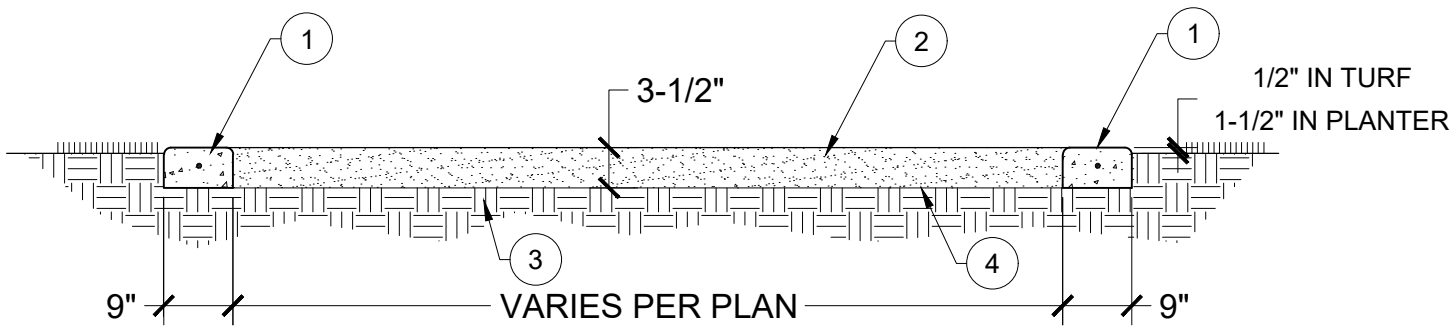


SECTION

CALLOUTS

- ① TOP OF INFIELD MIX
- ② CONCRETE PAVING / CURBING. COMPACTED INFIELD MIX SHALL BE FLUSH WITH THE TOP OF PAVING.
- ③ INFIELD MIX SHALL BE INSTALLED AND COMPACTED IN TWO LIFTS AT 95% R.D.
- ④ PRE-EMERGENT WEED SUPPRESSION.
- ⑤ COMPACTED SUBGRADE OR UNDISTURBED SOIL

REV.	DATE	DESCRIPTION
△		
△		
△		

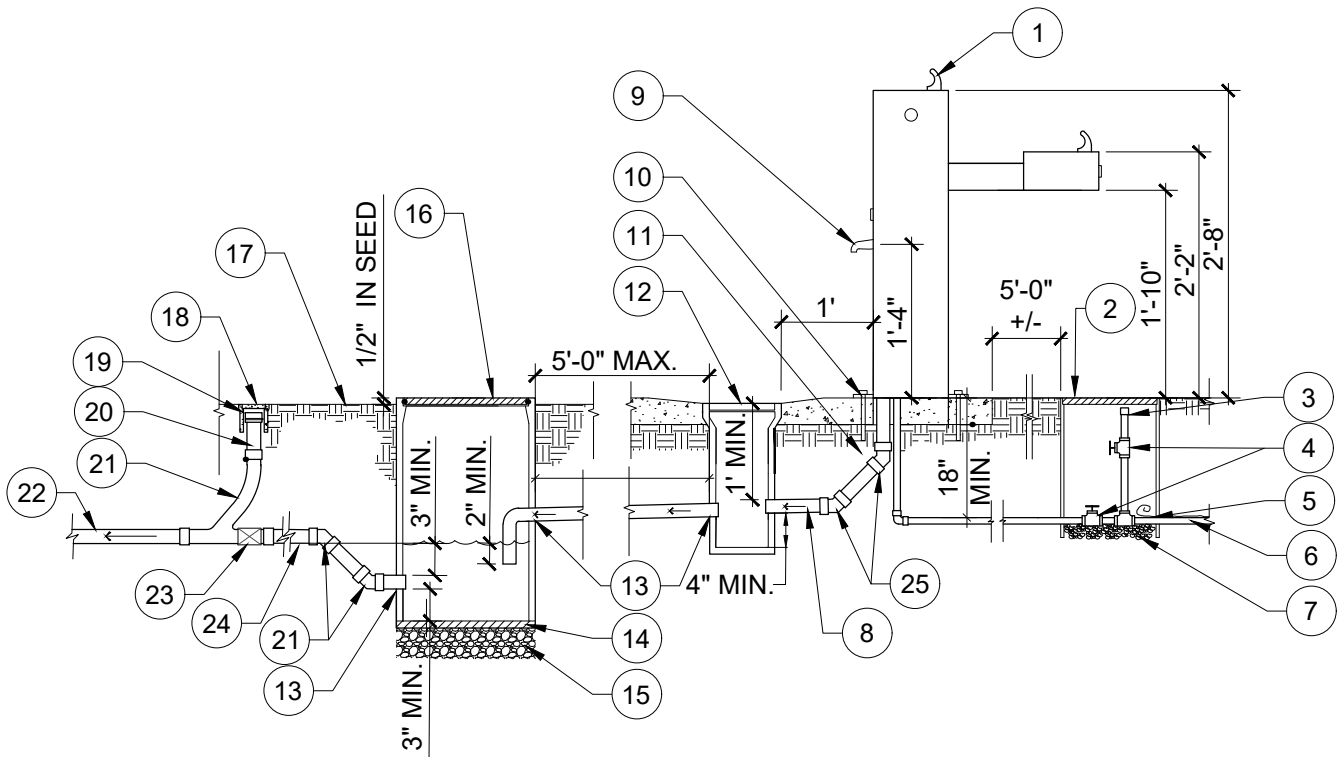


SECTION

CALLOUTS

- ① CONCRETE MOW CURB
- ② DECOMPOSED GRANITE SHALL BE FLUSH WITH THE TOP OF MOW CURB AND COMPACTED 95% R.D. (2 LIFTS).
- ③ COMPACTED SUBGRADE AT 95%.
- ④ PRE-EMERGENT WEED CONTROL

REV.	DATE	DESCRIPTION
△		
△		
△		



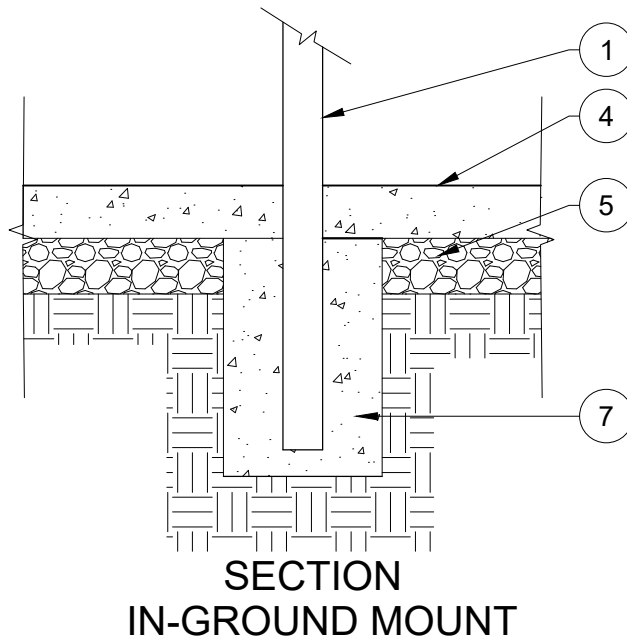
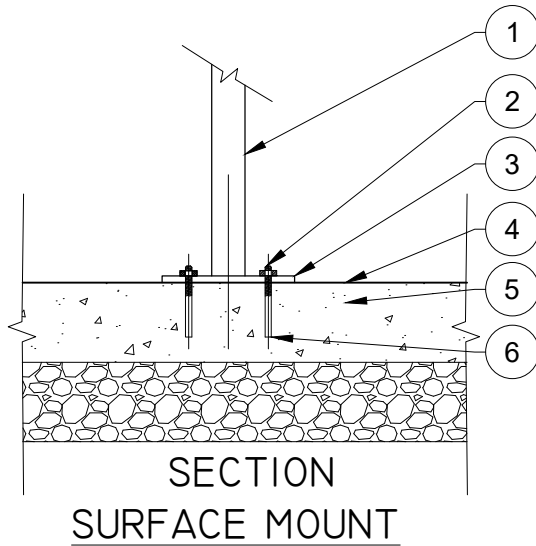
CALLOUTS

- ① DRINKING FOUNTAIN, INSTALL PER MANUFACTURES SPECIFICATIONS
- ② VALVE BOX WITH LOCKING LID, TYPICAL.
- ③ BLOWOFF VALVE (1" TEE, 1" THREADED GALV. RISER, 1" PVC CAP, HAND TIGHTEN TYPICAL
- ④ 1" GATE VALVE (TYP.)
- ⑤ TRACER WIRE TAPE TO WATER LINE EVERY 5' O.C.
- ⑥ SCHEDULE 40 P.V.C. PIPE, CONNECT TO WATER METER AND BACKFLOW
- ⑦ 3/4" DIA. DRAIN ROCK
- ⑧ 2" ABS DRAIN LINE SLOPED AT 2% TO CLEANOUT
- ⑨ JUG FILLER WITH VACUUM BREAKER
- ⑩ 4-1/2" DIA. BOLTS SET IN CONCRETE
- ⑪ 12"+/- AREA OF CONCRETE SURROUNDING GRATE SHALL BE SLOPED TO GRATE CLEANOUT: 12" INSIDE DIAMETER CONCRETE BOX STEEL GRATE
- ⑫ WATER STOP, TYP.
- ⑬ POUR IN PLACE CONCRETE BOTTOM
- ⑭ 3/4" DIA. DRAIN ROCK
- ⑮ CLEANOUT: 12" X 18" CONCRETE BOX WITH SOLID TRAFFIC RATED LID
- ⑯ FINISH GRADE BEFORE PLANTING
- ⑰ REINFORCED CONCRETE VALVE BOX AND LID
- ⑱ JIMMY CAP
- ⑲ ABS DRAIN LINE (TYP.)
- ⑳ LONG SWEEP "Y" FITTING
- ㉑ 45 DEGREE ABS ELBOWS TYP.
- ㉒ WHEN TOP OF GRATE IS LOWER THAN THE NEXT UPSTREAM MANHOLE COVER, A
- ㉓ BACKWATER VALVE IS REQUIRED AT THIS LOCATION.
- ㉔ 4" ABS DRAIN PIPE SLOPED AT MIN. 2% TO SANITARY SEWER STUB.

NOTE:

- 1. IF DRINKING FOUNTAIN HAS JUG FILLER SLOTTED CLEANOUT DRAIN MUST BE LOCATED ON JUG FILLER SIDE, SLOPED TO DRAIN.

REV.	DATE	DESCRIPTION
△		
△		
△		



CALLOUTS

- ① SITE FURNISHING POST CLEAN AND FREE OF CONCRETE SPLATTERS. INSTALL PER MANUFACTURES SPECIFICATIONS
- ② TACK WELD AND SECURE NUT.
- ③ BASE PLATE PER MANUFACTURES SPECIFICATIONS.
- ④ FINISH GRADE
- ⑤ CONCRETE PAVING
- ⑥ CONCRETE ANCHOR BOLT
- ⑦ CONCRETE FOOTING PER MANUFACTURE'S SPECIFICATIONS

REV.	DATE	DESCRIPTION
△		
△		
△		